



US00D616330S

(12) **United States Design Patent**
David

(10) **Patent No.:** **US D616,330 S**
(45) **Date of Patent:** **** May 25, 2010**

(54) **SEATBELT ADAPTOR**

(76) Inventor: **Yair David**, 6 Ankor, Ramat Hasharon
(IL) 47229

(**) Term: **14 Years**

(21) Appl. No.: **29/354,114**

(22) Filed: **Jan. 20, 2010**

Related U.S. Application Data

(62) Division of application No. 29/350,242, filed on Nov. 13, 2009, now Pat. No. Des. 611,385, which is a division of application No. 29/344,056, filed on Sep. 23, 2009, now Pat. No. Des. 607,774, which is a division of application No. 29/320,826, filed on Jul. 4, 2008, now Pat. No. Des. 603,752.

(51) **LOC (9) Cl.** **02-07**

(52) **U.S. Cl.** **D11/200**

(58) **Field of Classification Search** D11/1-2,
D11/200-201, 203-206, 210, 212, 214-219,
D11/222, 224, 226; 24/163 R, 169-171,
24/173, 177-179, 191, 194-195, 197, 200;
280/80.1; 297/468; D2/624, 627
See application file for complete search history.

(56) **References Cited**

U.S. PATENT DOCUMENTS

2,876,516 A	3/1959	Cummings	
D213,087 S	1/1969	Klink	
D302,140 S	7/1989	Johnston	
5,121,527 A	6/1992	Righi	
D333,640 S	3/1993	Keller	
D352,591 S *	11/1994	Laney D2/631
5,381,590 A	1/1995	Liou et al.	

D393,337 S *	4/1998	Seki D2/624
5,742,986 A	4/1998	Corrion et al.	
D407,667 S	4/1999	Homeier	
6,343,841 B1 *	2/2002	Gregg et al. 297/468
6,520,392 B2	2/2003	Thibodeau et al.	
6,769,157 B1	8/2004	Meal	
6,969,122 B2 *	11/2005	Sachs et al. 297/468
D562,371 S	2/2008	Erickson	
7,383,620 B2	6/2008	Smith	
D575,669 S	8/2008	David et al.	
D578,931 S	10/2008	Totzman et al.	
7,503,587 B2 *	3/2009	Corcoran 280/801.1
7,533,901 B2	5/2009	David et al.	
2006/0267394 A1	11/2006	David et al.	

* cited by examiner

Primary Examiner—Ralf Seifert

(57) **CLAIM**

The ornamental design for a seatbelt adaptor, as shown and described.

DESCRIPTION

FIG. 1 is an upper front left isometric view of an embodiment of a seatbelt adaptor in accordance with the present invention;

FIG. 2 is lower rear right isometric view of the embodiment thereof;

FIG. 3 is a top view of the embodiment thereof;

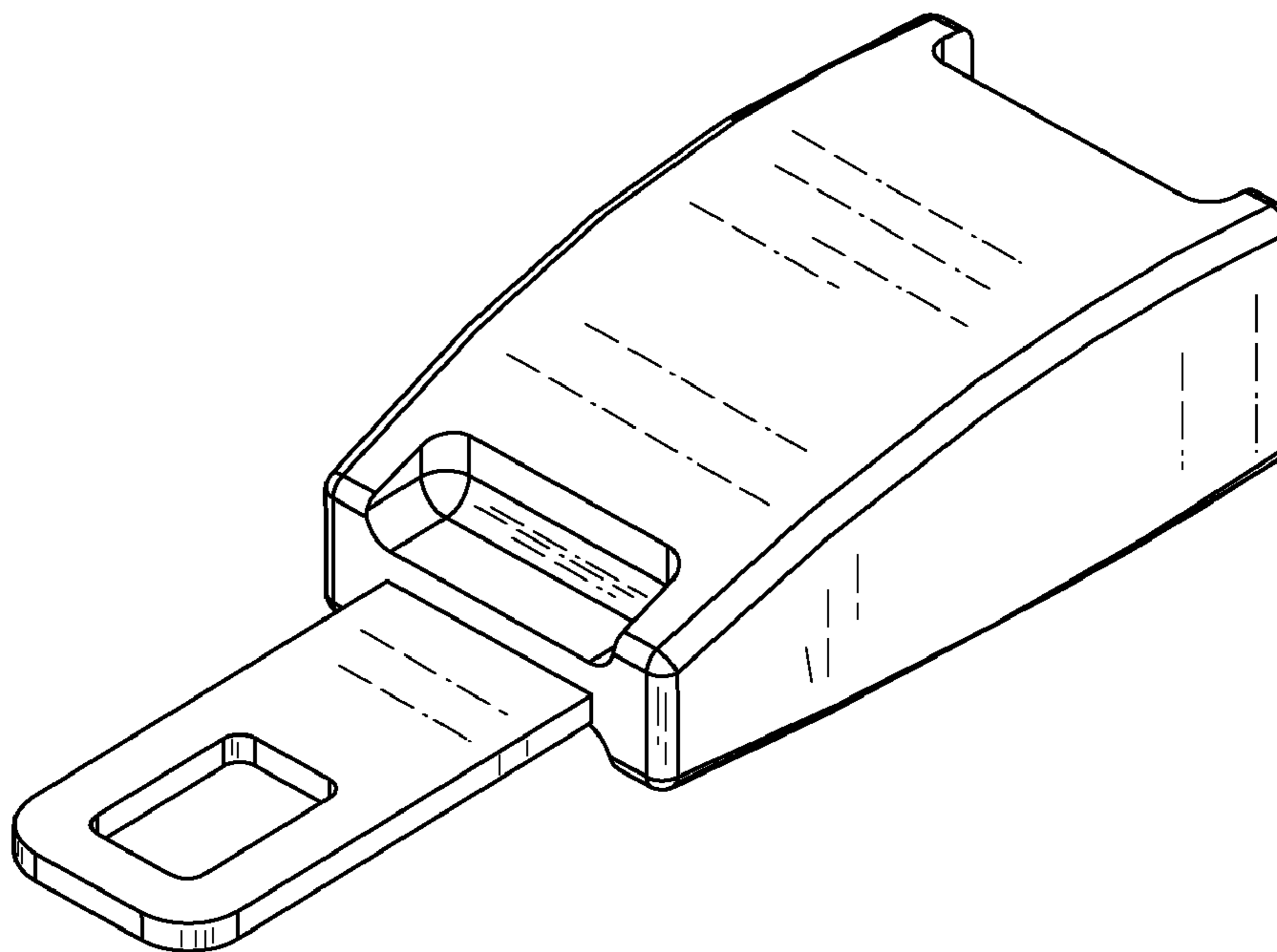
FIG. 4 is a left side view of the embodiment thereof, the right side being a mirror image thereof;

FIG. 5 is a bottom view of the embodiment thereof;

FIG. 6 is a front view of the embodiment thereof; and;

FIG. 7 is a rear view of the embodiment thereof.

1 Claim, 3 Drawing Sheets



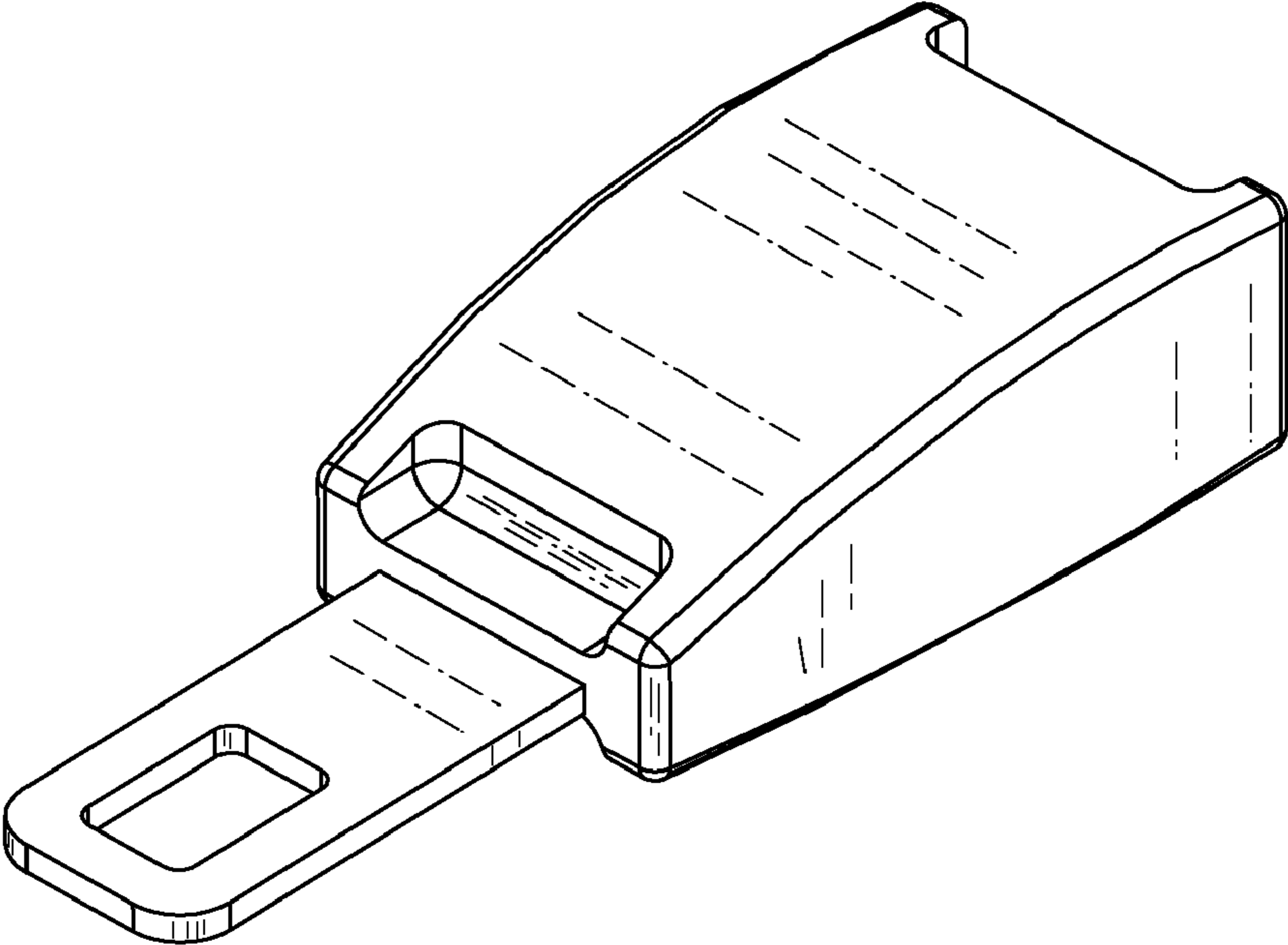


Fig. 1

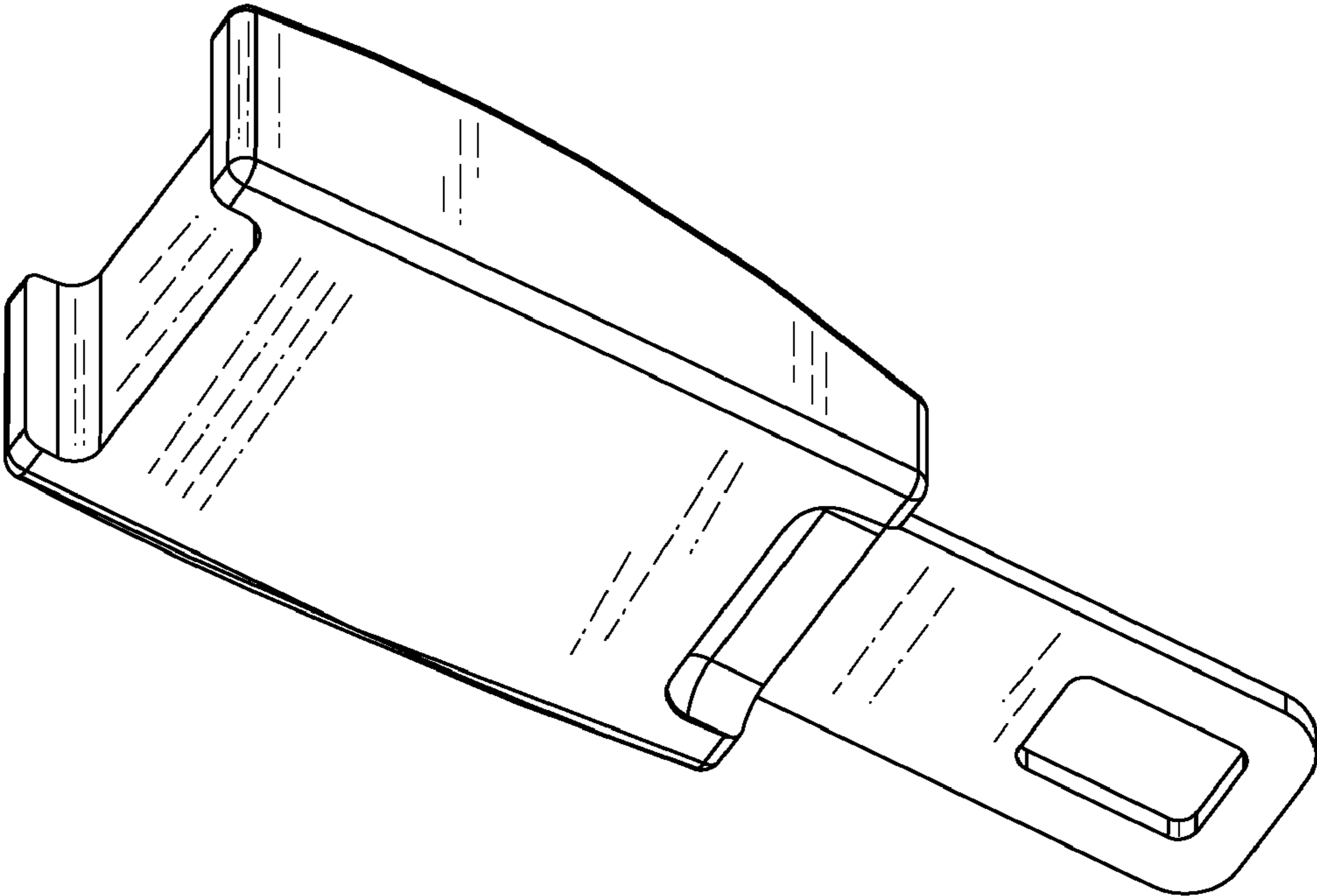


Fig. 2

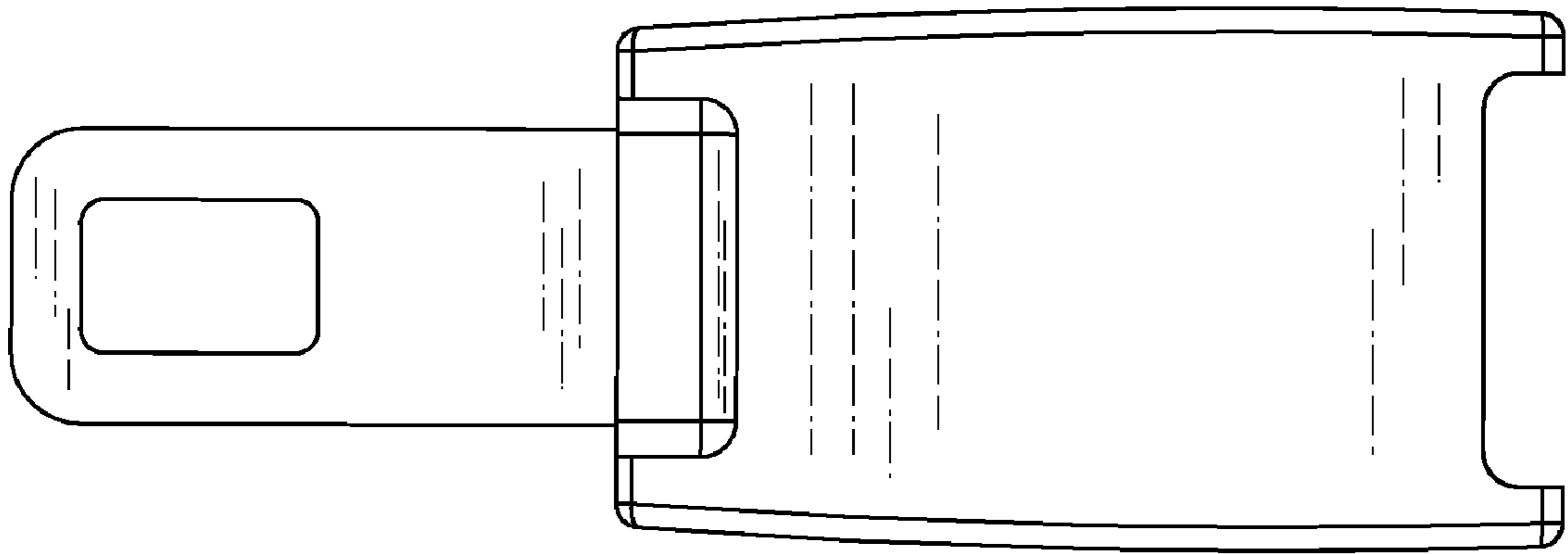


Fig. 3

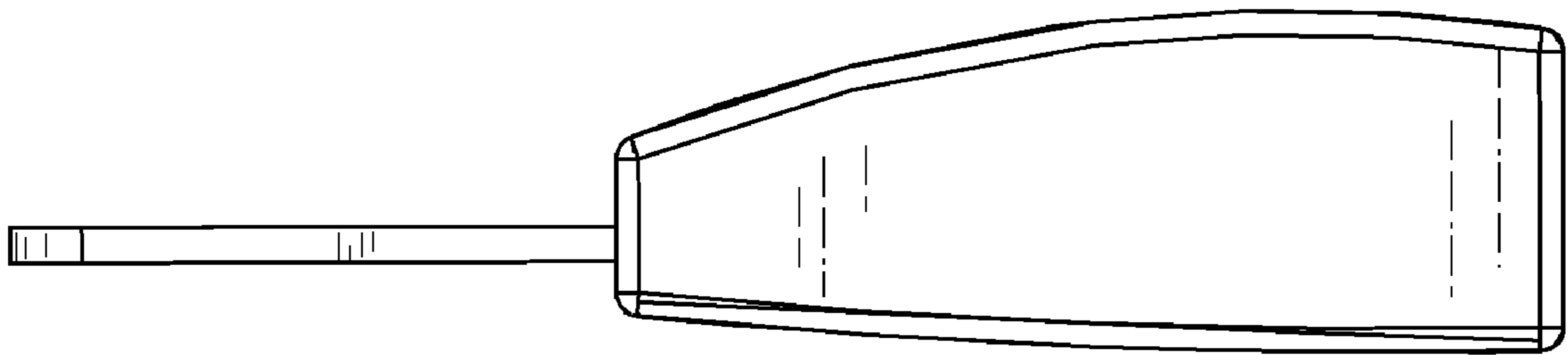


Fig. 4

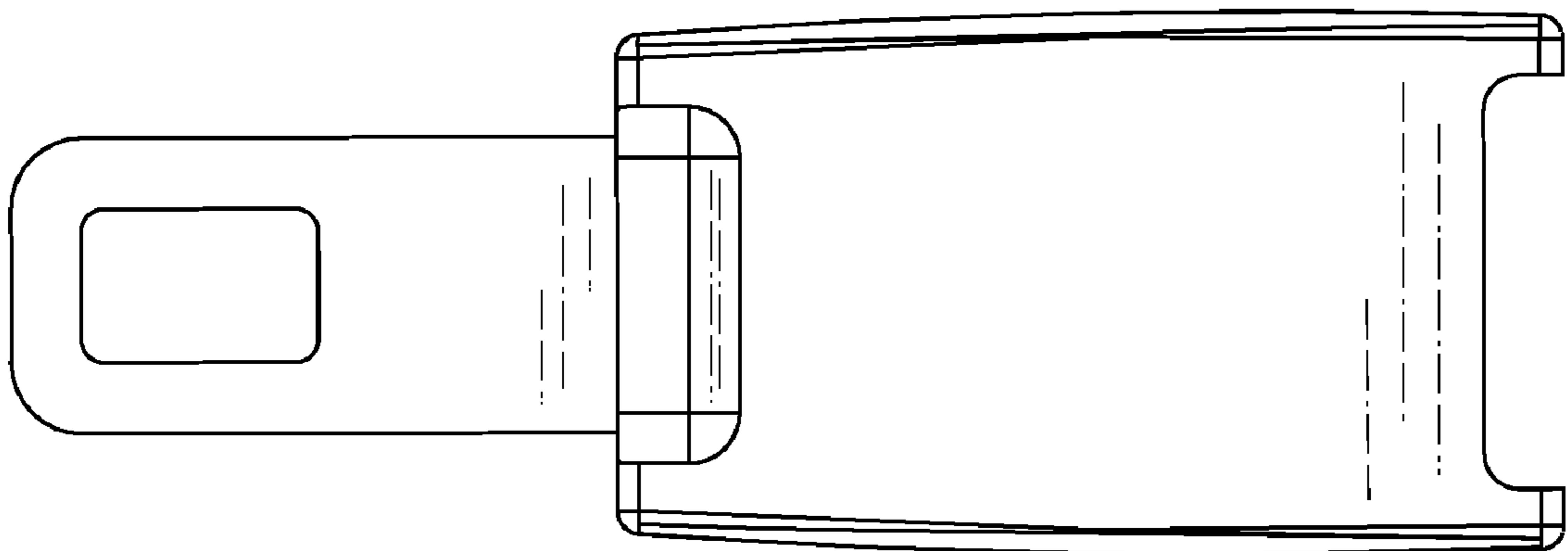


Fig. 5

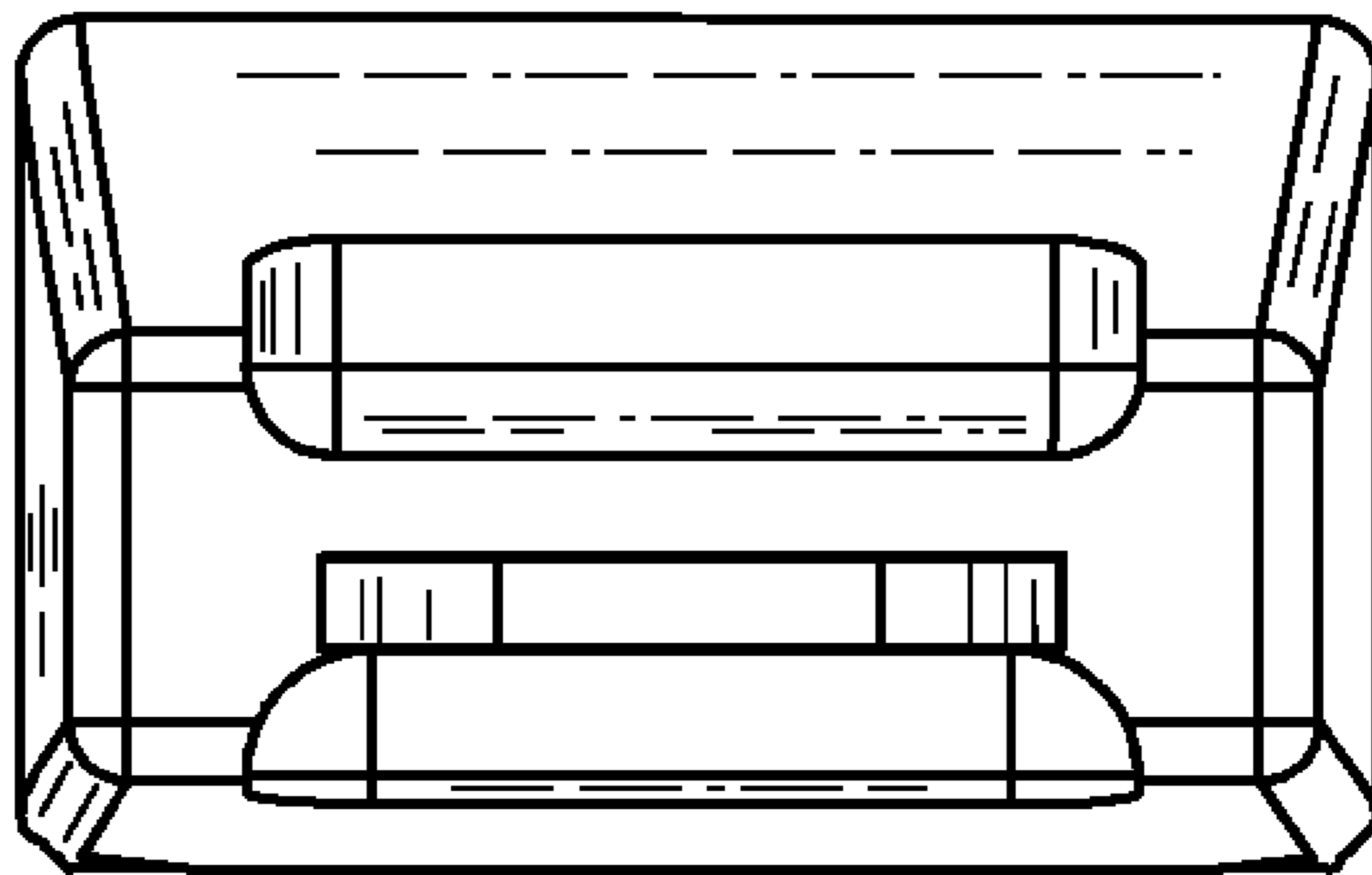


Fig. 6

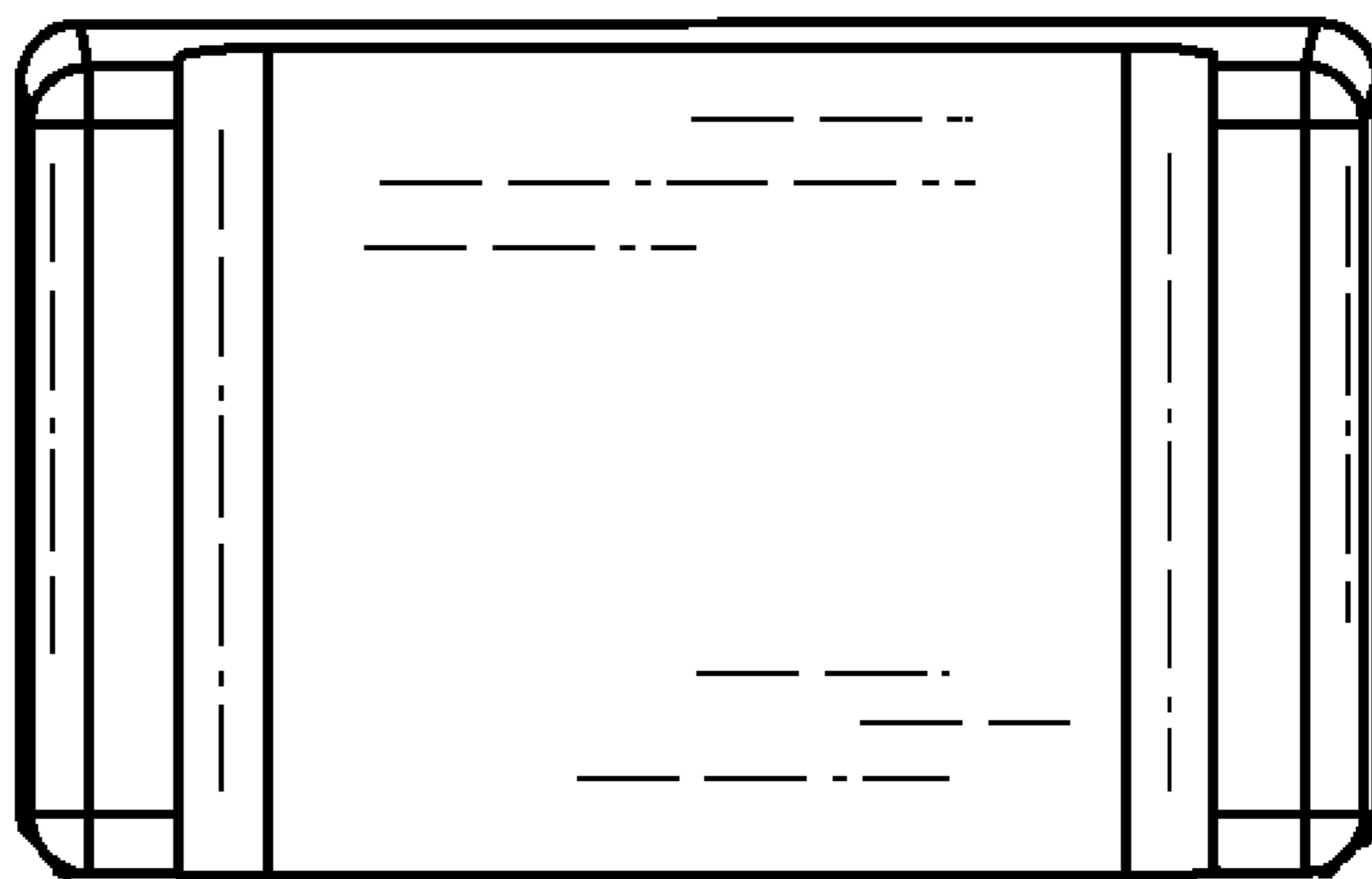


Fig. 7