



US00D616328S

(12) **United States Design Patent**
So

(10) **Patent No.:** **US D616,328 S**

(45) **Date of Patent:** **** May 25, 2010**

(54) **PRECIOUS STONE CUT FOR THE CROWN
PORTION OF THE PRECIOUS STONE
HAVING 29 FACETS**

(76) Inventor: **David So**, 71 W. Cedarview Ave., Staten
Island, NY (US) 10306

(**) Term: **14 Years**

(21) Appl. No.: **29/334,326**

(22) Filed: **Mar. 24, 2009**

(51) **LOC (9) Cl.** **11-01**

(52) **U.S. Cl.** **D11/90**

(58) **Field of Classification Search** D11/1-2,
D11/26-29, 89-92; 63/26-28, 32

See application file for complete search history.

(56) **References Cited**

U.S. PATENT DOCUMENTS

| | | | | |
|-----------|------|--------|--------------|--------|
| 6,029,474 | A * | 2/2000 | Bunz | 63/32 |
| D440,902 | S * | 4/2001 | Wolf | D11/90 |
| D457,831 | S * | 5/2002 | Kaufman | D11/90 |
| D469,035 | S * | 1/2003 | Yuan | D11/90 |
| D478,528 | S * | 8/2003 | Mehta et al. | D11/90 |
| D485,183 | S * | 1/2004 | Lerolle | D9/503 |
| D486,752 | S * | 2/2004 | Namdar | D11/90 |
| D489,283 | S * | 5/2004 | Wueste | D11/90 |
| 6,745,596 | B2 * | 6/2004 | Wueste | 63/32 |

| | | | | |
|----------|-----|---------|--------|--------|
| D569,297 | S * | 5/2008 | Shah | D11/90 |
| D581,828 | S * | 12/2008 | Mehta | D11/90 |
| D583,702 | S * | 12/2008 | Habif | D11/90 |
| D596,981 | S * | 7/2009 | Hodara | D11/90 |
| D605,973 | S * | 12/2009 | Taran | D11/90 |

* cited by examiner

Primary Examiner—Ralf Seifert

(74) *Attorney, Agent, or Firm*—Jones Day

(57) **CLAIM**

The ornamental design for a precious stone cut for the crown portion of the precious stone having 29 facets, as shown and described.

DESCRIPTION

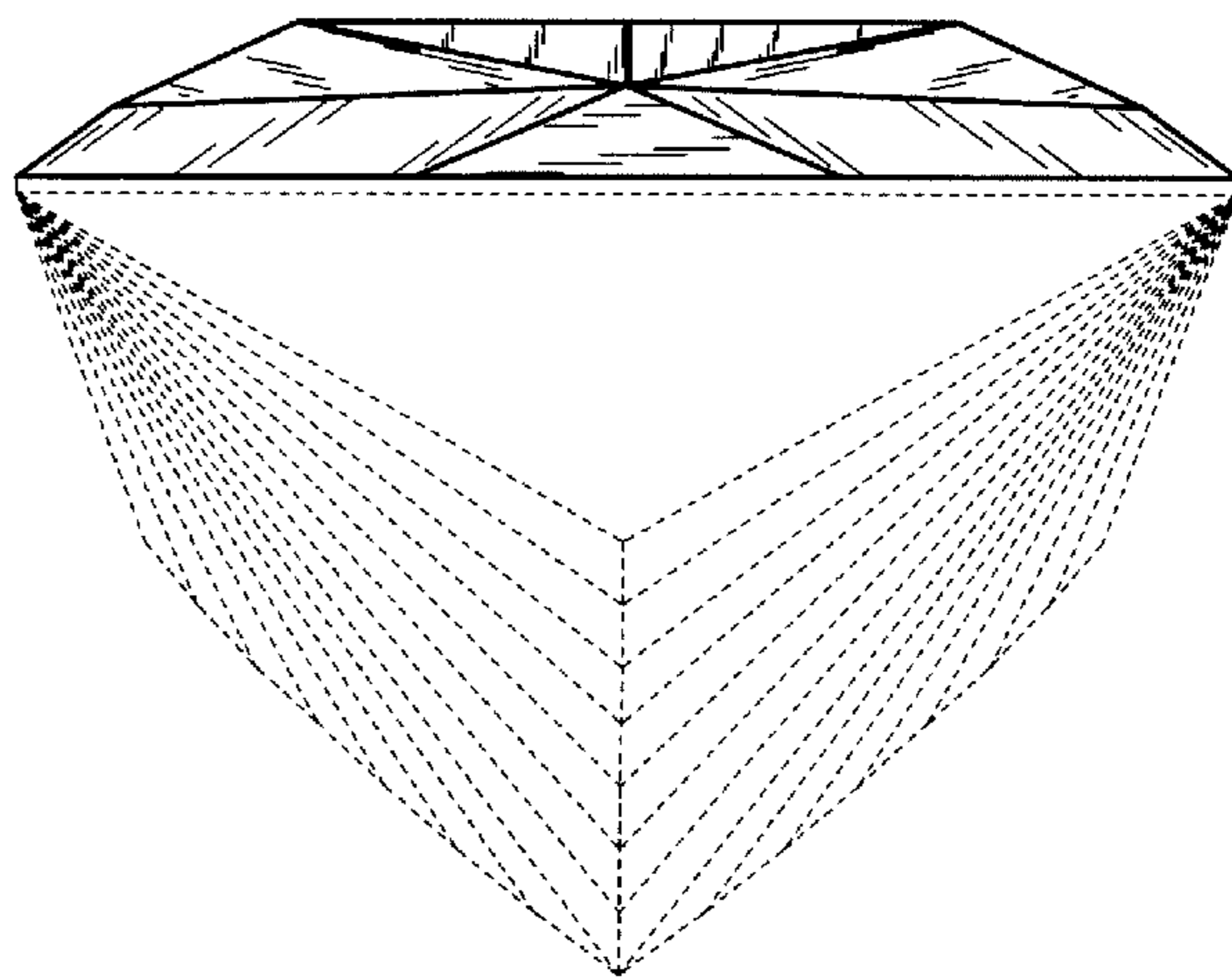
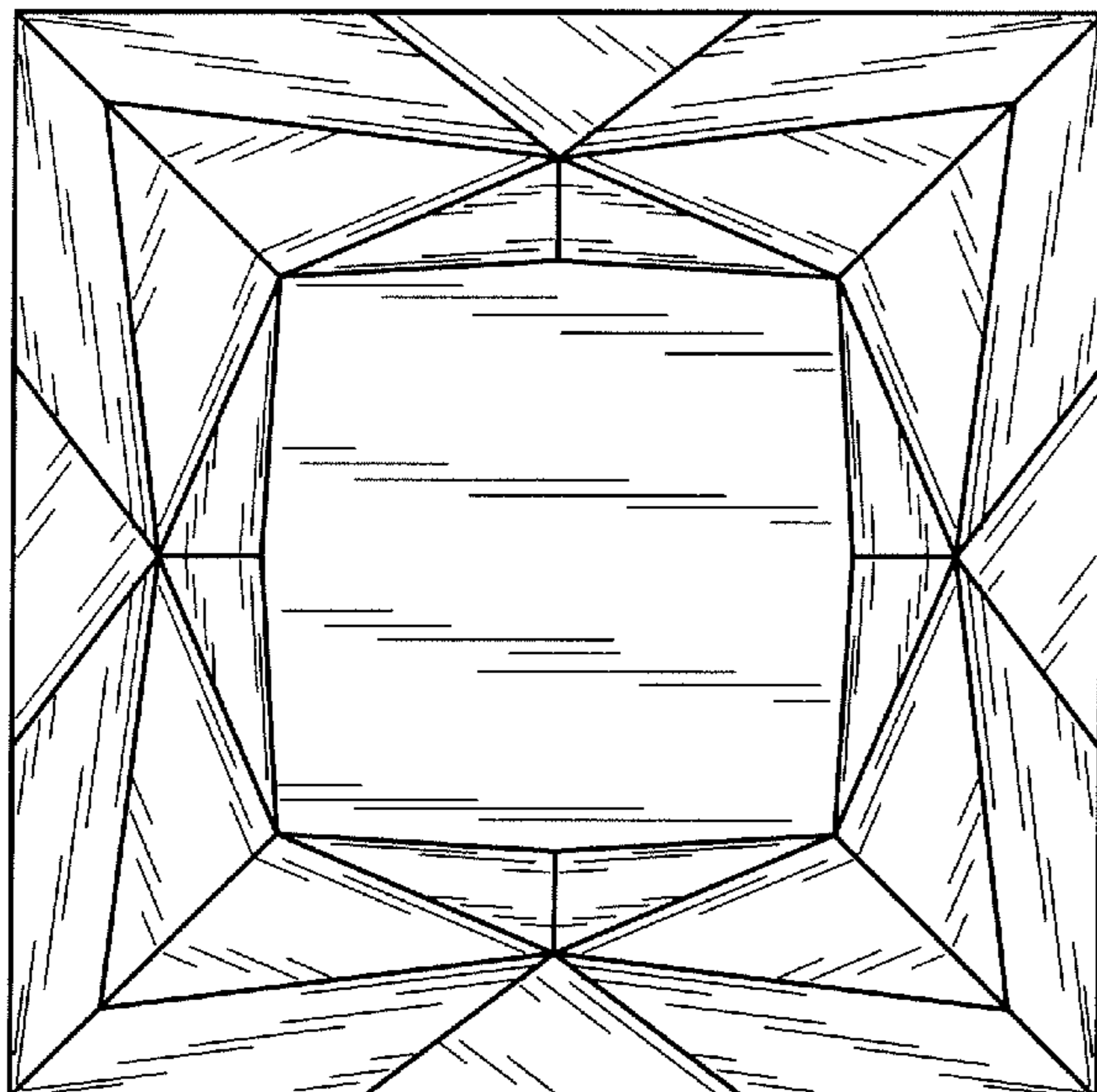
FIG. 1 is a top plan view of a precious stone cut for the crown portion of the precious stone having 29 facets showing my new design;

FIG. 2 is a side view; and,

FIG. 3 is a bottom plan view.

The broken line showing of the pavilion of a gemstone is included for the purpose of illustrating environmental matter and forms no part of the claimed design. Any facets that may be visible through the transparent precious stone are shown for the sake of clarity.

1 Claim, 2 Drawing Sheets



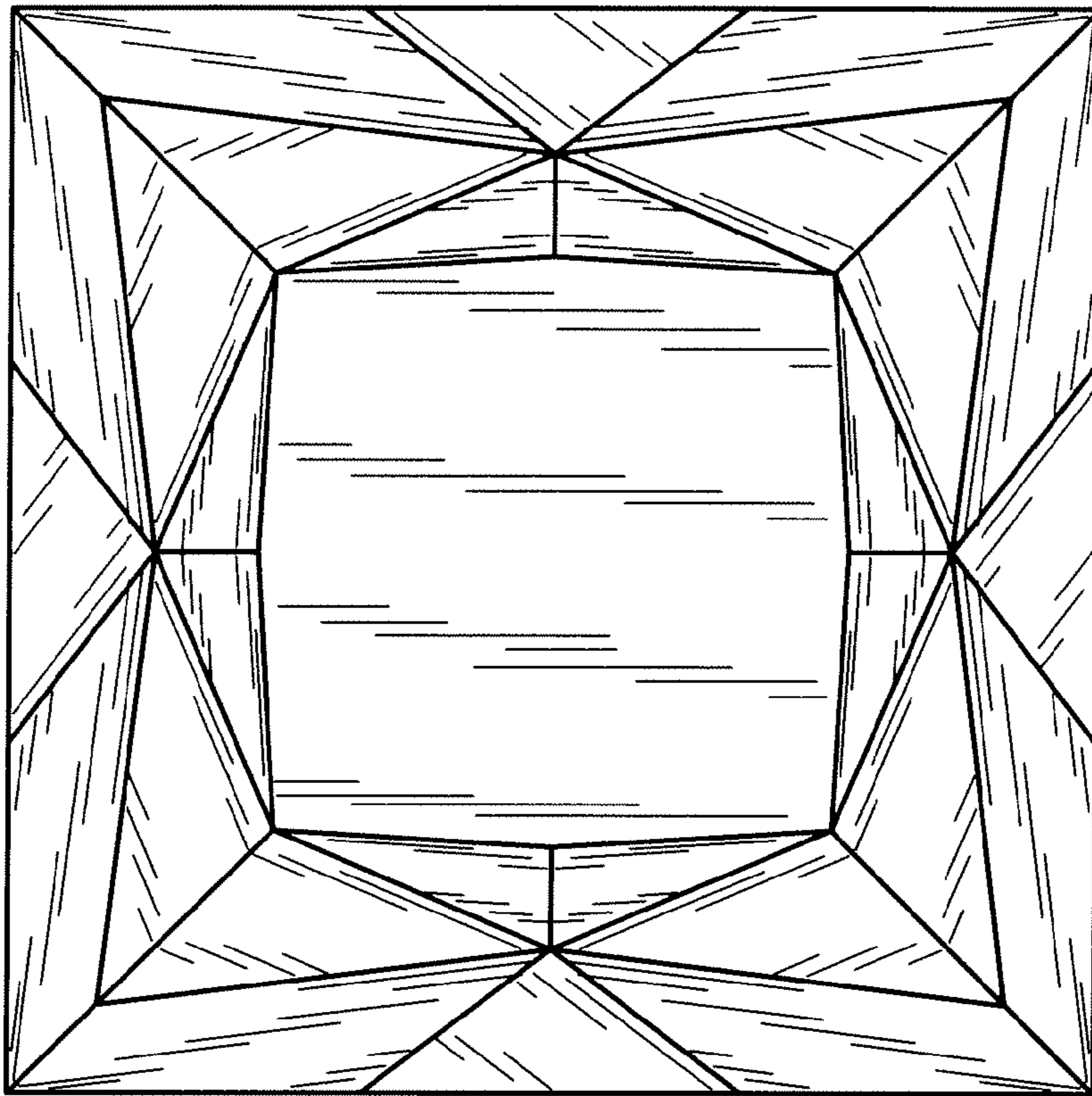


Fig.1

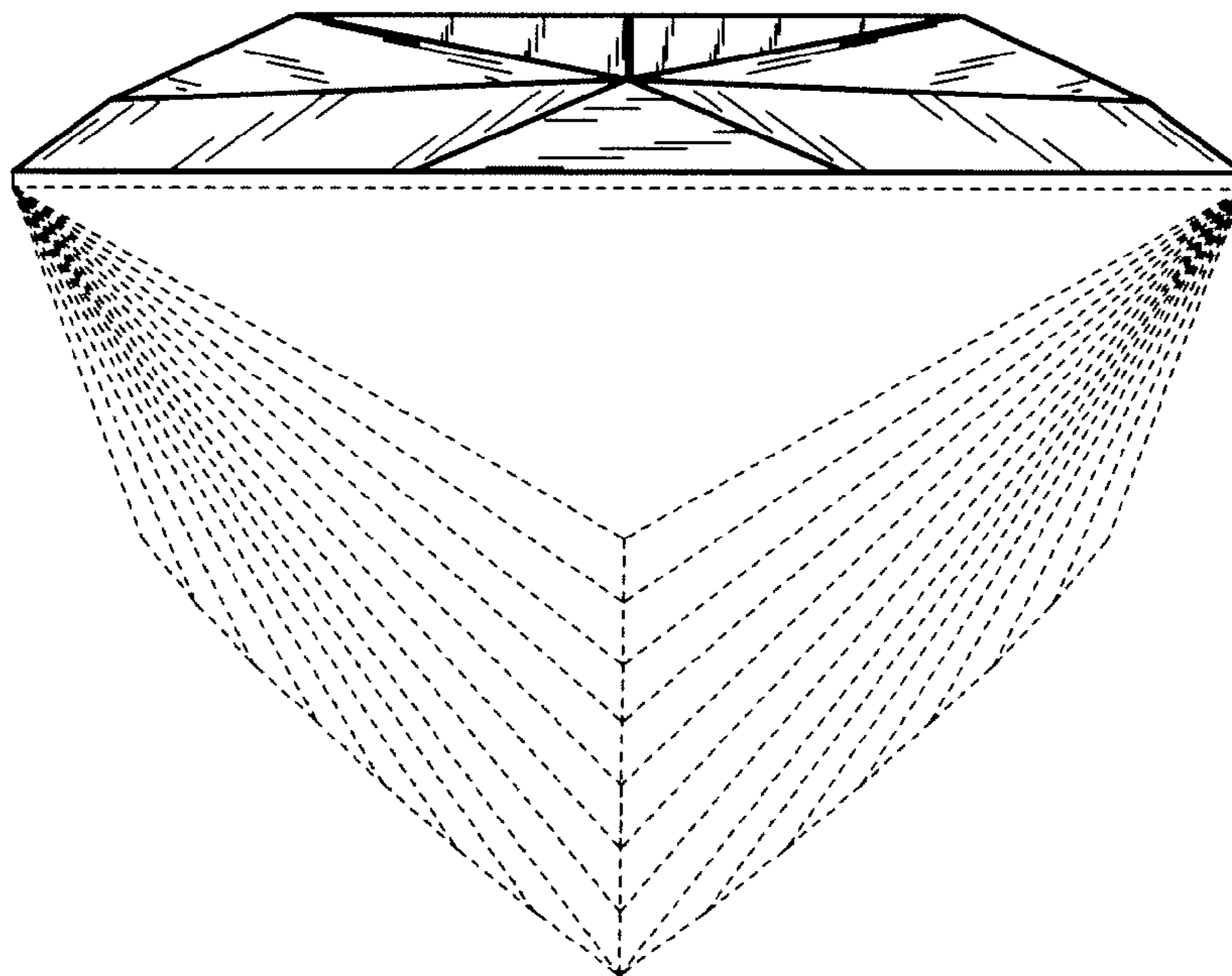


Fig.2

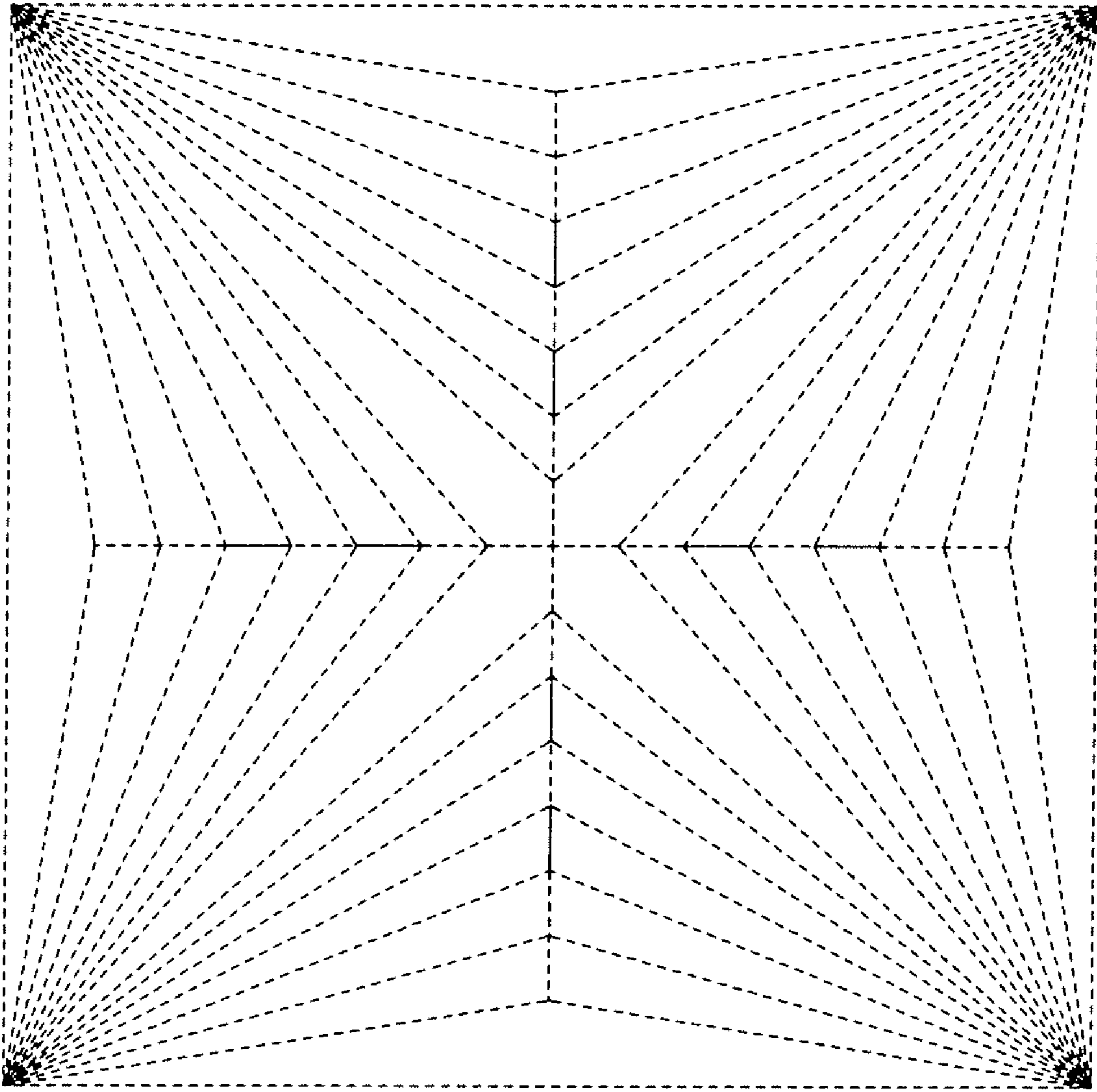


Fig.3