



US00D616321S

(12) **United States Design Patent**
Skaf et al.

(10) **Patent No.:** **US D616,321 S**
(45) **Date of Patent:** **** May 25, 2010**

(54) **DOOR BELL**

(75) Inventors: **Rashid Skaf**, Plano, TX (US); **Lorelei Curtiss Cannon**, Plano, TX (US); **Arthur Chao Chung Wu**, Plano, TX (US); **Patrick Wesley Clark**, Melissa, TX (US)

(73) Assignee: **AMX LLC**, Richardson, TX (US)

(**) Term: **14 Years**

(21) Appl. No.: **29/284,321**

(22) Filed: **Sep. 5, 2007**

(51) **LOC (9) Cl.** **10-05**

(52) **U.S. Cl.** **D10/118; D10/104**

(58) **Field of Classification Search** **D10/104, D10/106, 118; D14/141.3, 158, 159**
See application file for complete search history.

(56) **References Cited**

U.S. PATENT DOCUMENTS

D453,906 S * 2/2002 Hannig D10/104
D478,832 S * 8/2003 Dipple D10/106
D490,396 S * 5/2004 Yamaguchi et al. D14/159

FOREIGN PATENT DOCUMENTS

CN 3173214 * 11/2000
EM 000835772-0001 * 11/2007

* cited by examiner

Primary Examiner—Caron Veynar

Assistant Examiner—George D Kirschbaum

(74) *Attorney, Agent, or Firm*—Gardere Wynne Sewell LLP;
Karl L. Larson

(57) **CLAIM**

The ornamental design for a door bell, as shown and described.

DESCRIPTION

FIG. 1 is a front view of one preferred embodiment of a door bell in accordance with the invention;

FIG. 2 is a top view of the door bell shown in FIG. 1;

FIG. 3 is a first side of the door bell shown in FIG. 1;

FIG. 4 is a rear view of the door bell shown in FIG. 1;

FIG. 5 is bottom view of the door bell shown in FIG. 1;

FIG. 6 is a second side view of the door bell shown in FIG. 1;

FIG. 7 is a first front elevation of the door bell shown in FIG. 1;

FIG. 8 is a second front elevation of the door bell shown in FIG. 1;

FIG. 9 is a third front elevation of the door bell shown in FIG. 1;

FIG. 10 is a fourth front elevation of the door bell shown in FIG. 1;

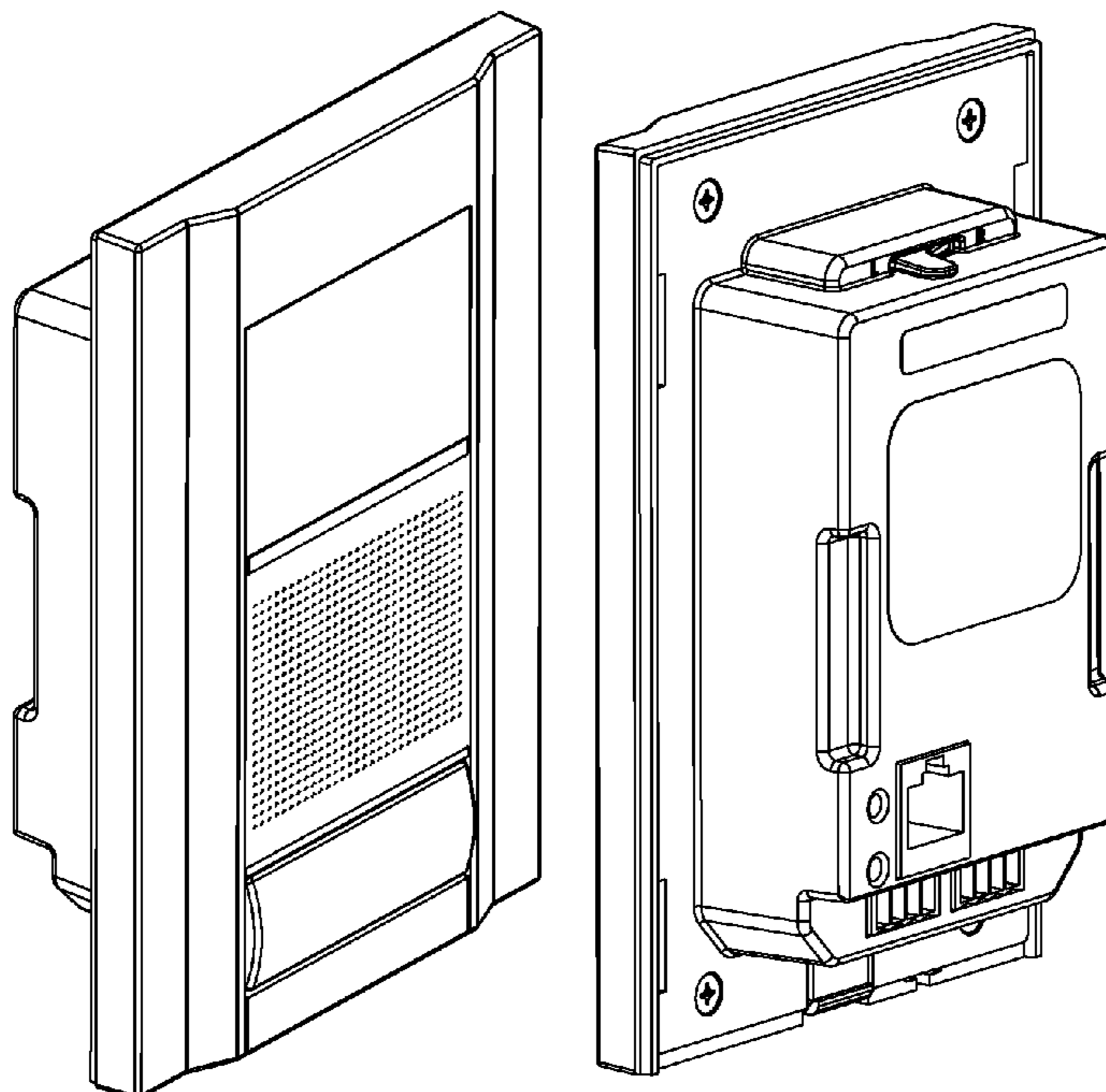
FIG. 11 is a first rear elevation of the door bell shown in FIG. 1;

FIG. 12 is a second rear elevation of the door bell shown in FIG. 1;

FIG. 13 is a third rear elevation of the door bell shown in FIG. 1; and,

FIG. 14 is a fourth rear elevation of the door bell shown in FIG. 1.

1 Claim, 6 Drawing Sheets



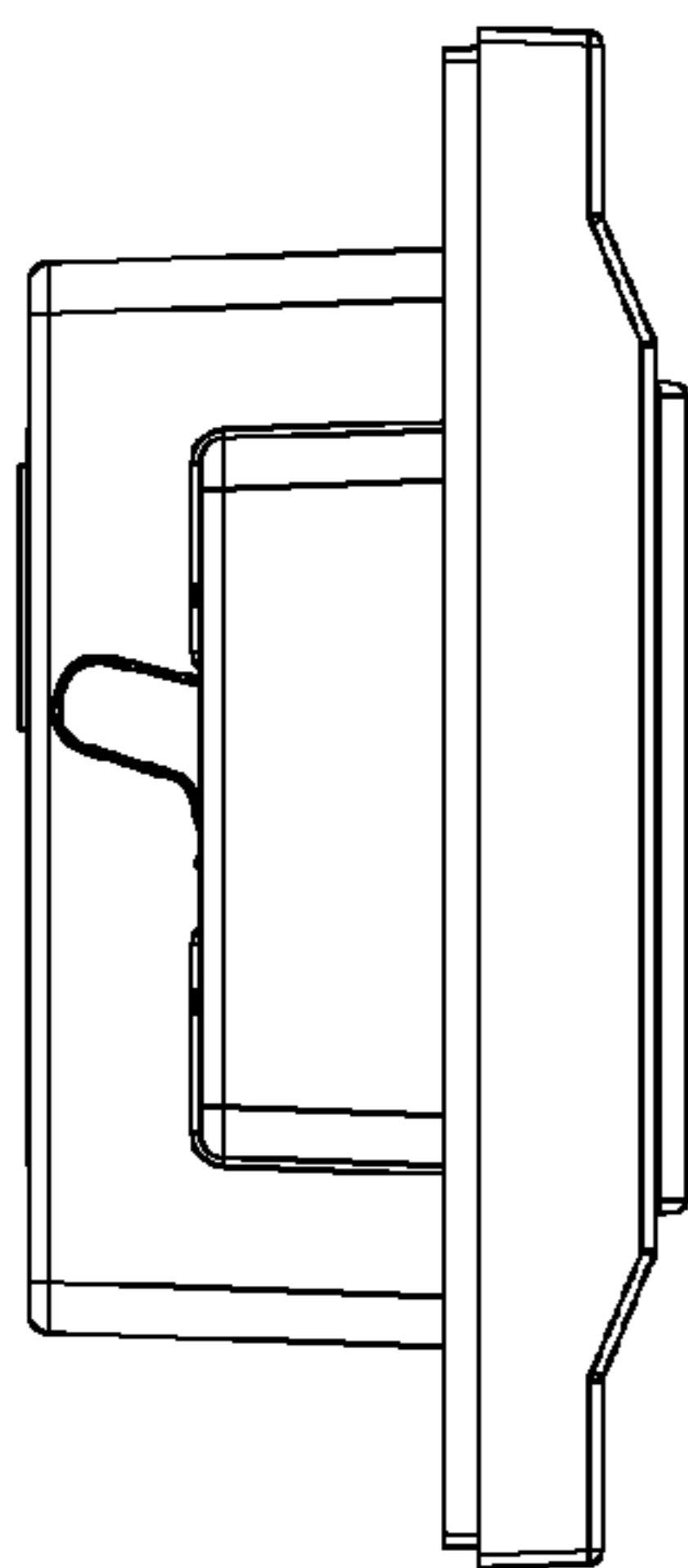


FIGURE 2

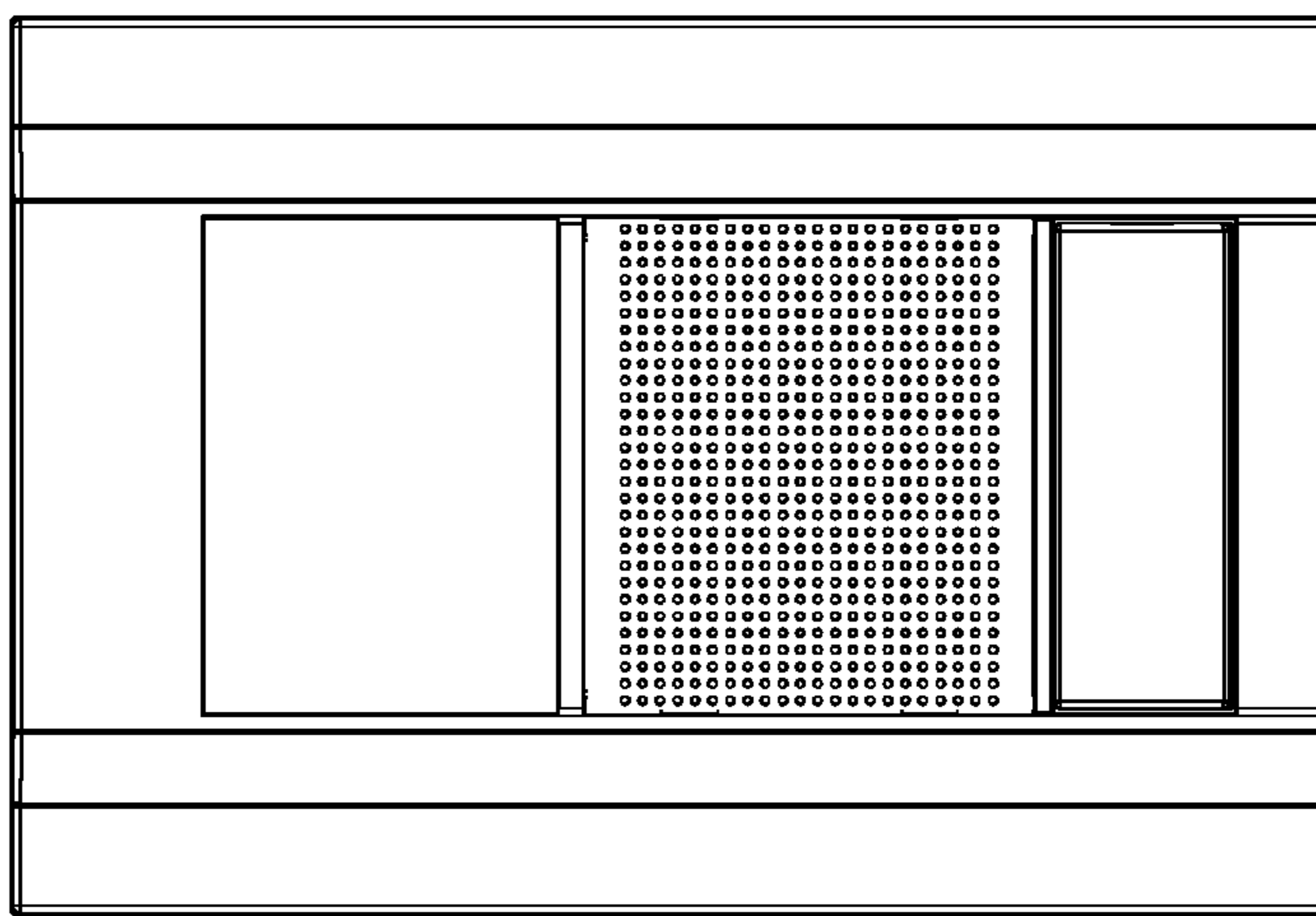


FIGURE 1

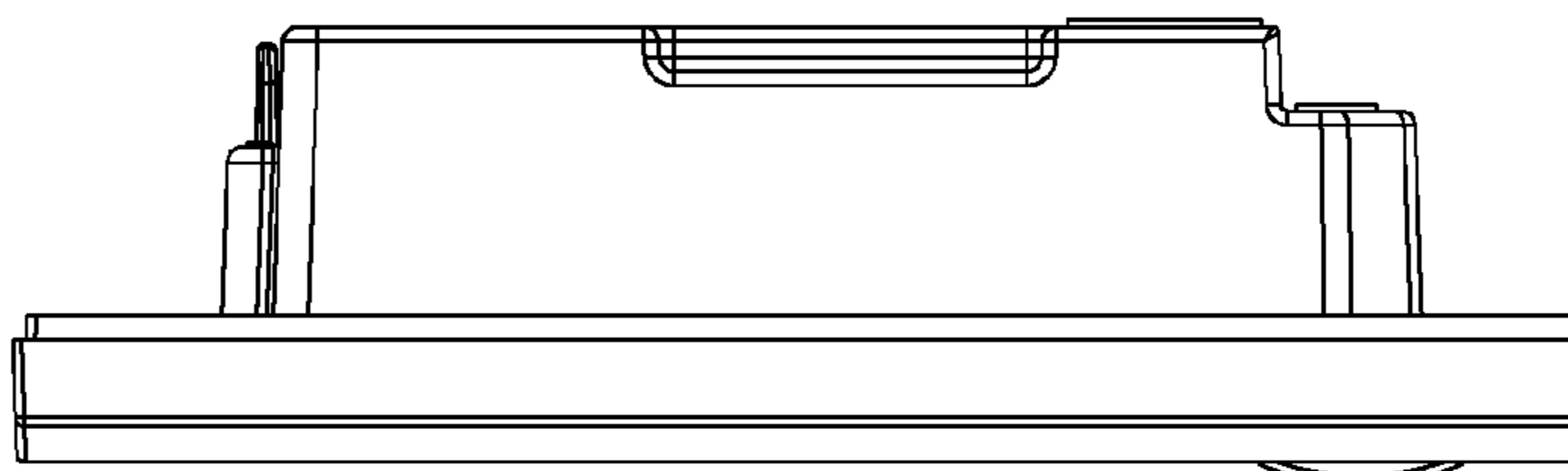


FIGURE 3

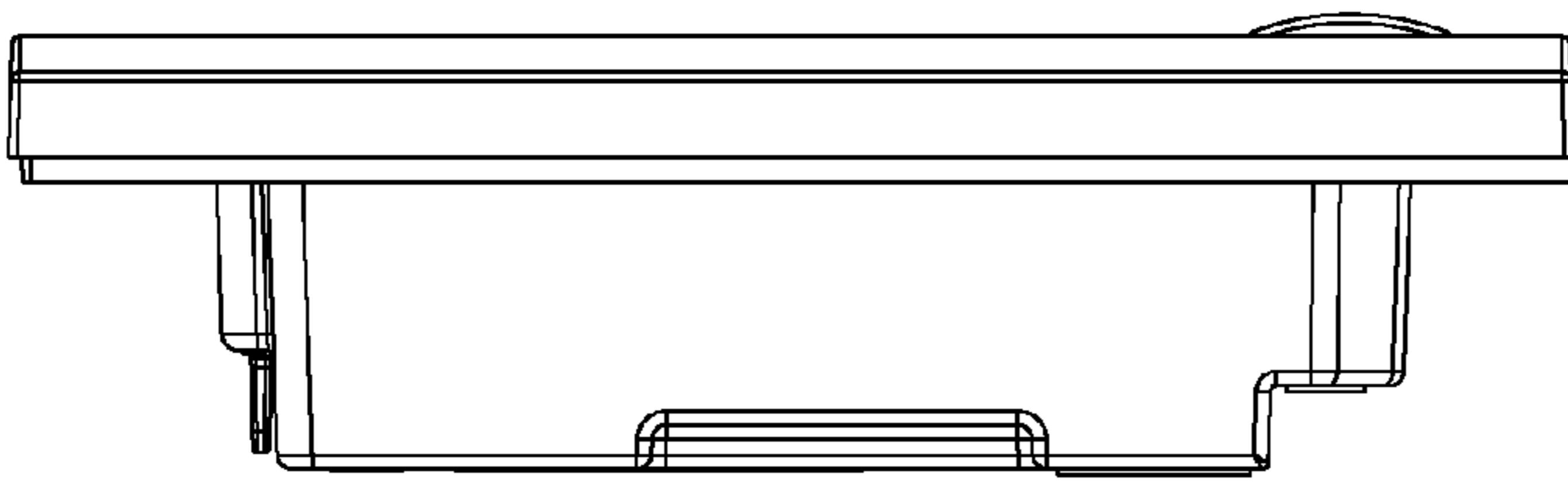


FIGURE 6

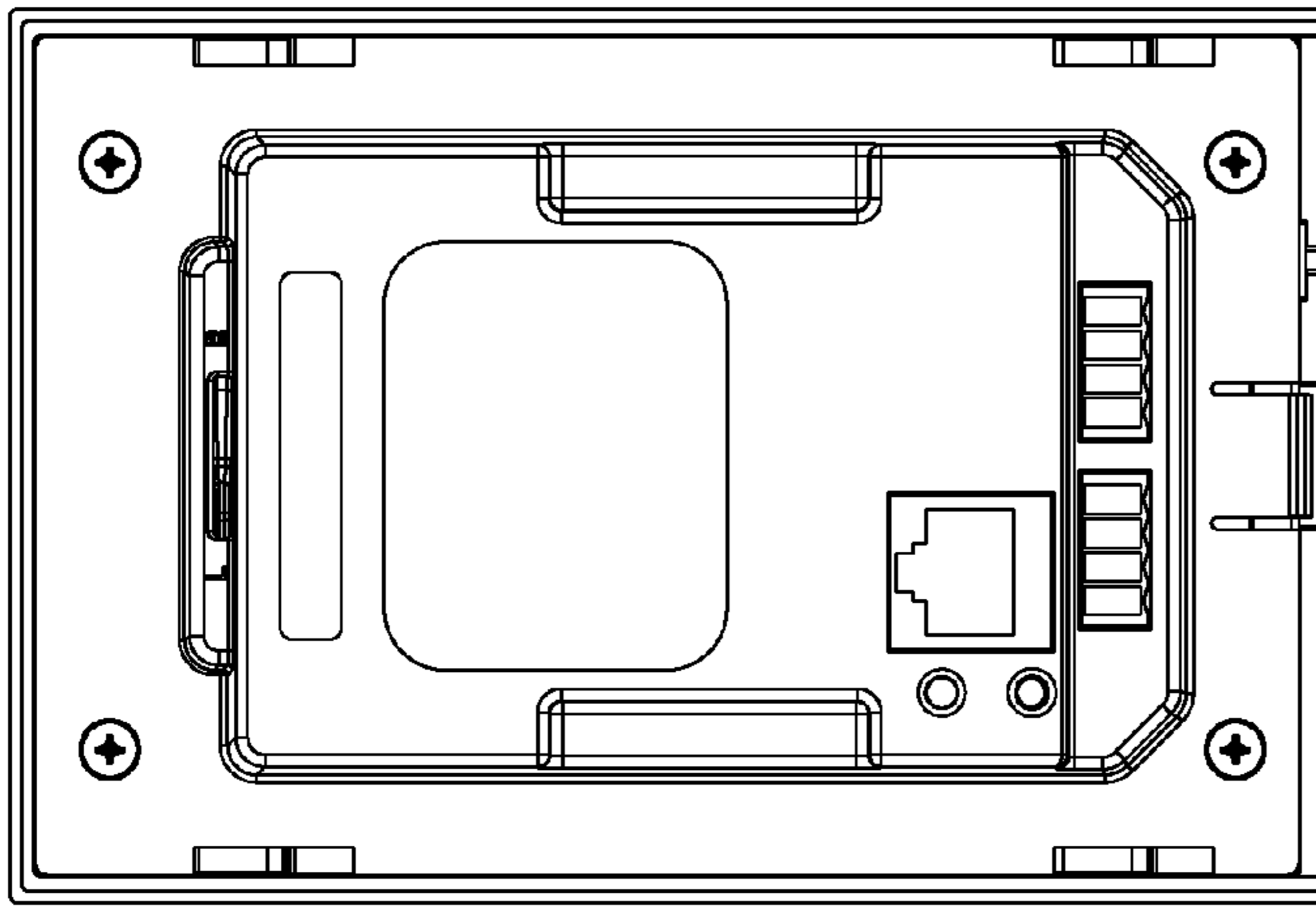


FIGURE 4

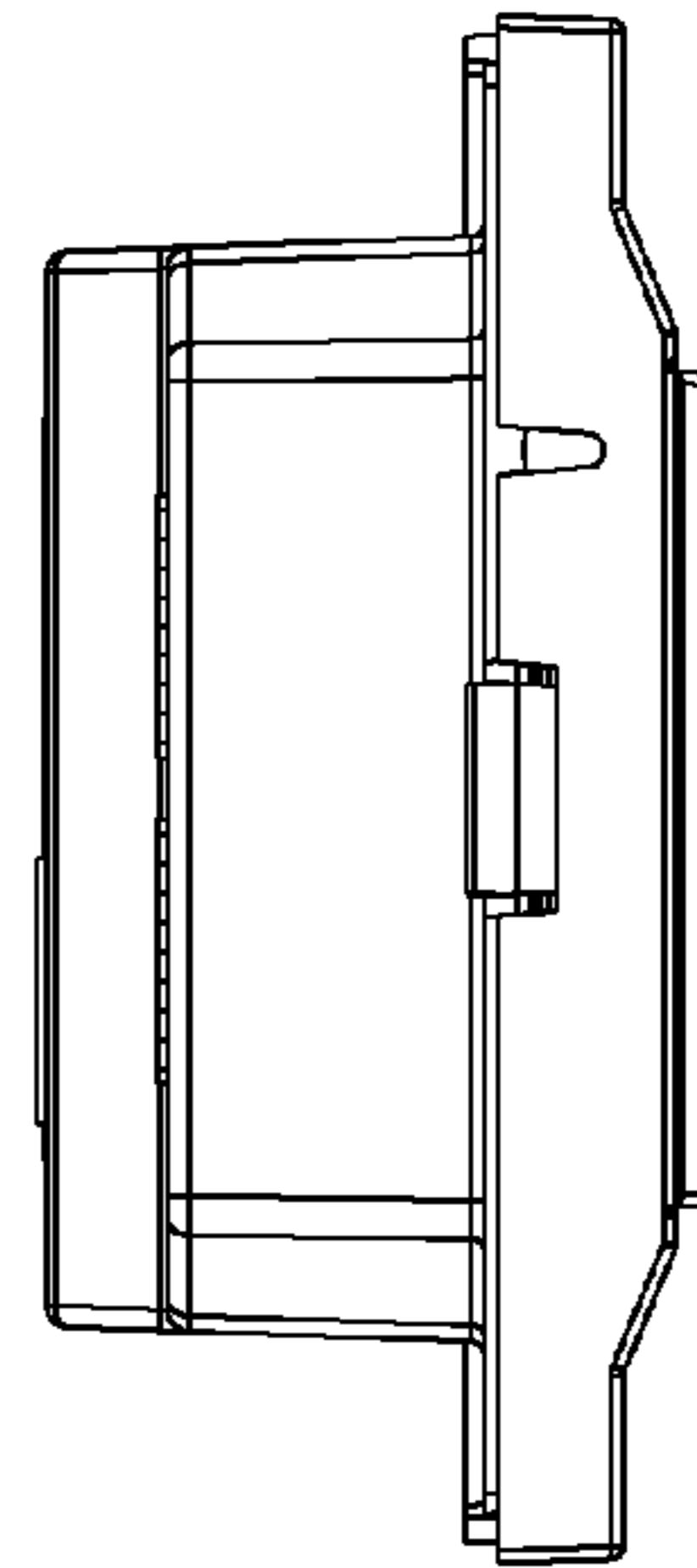


FIGURE 5

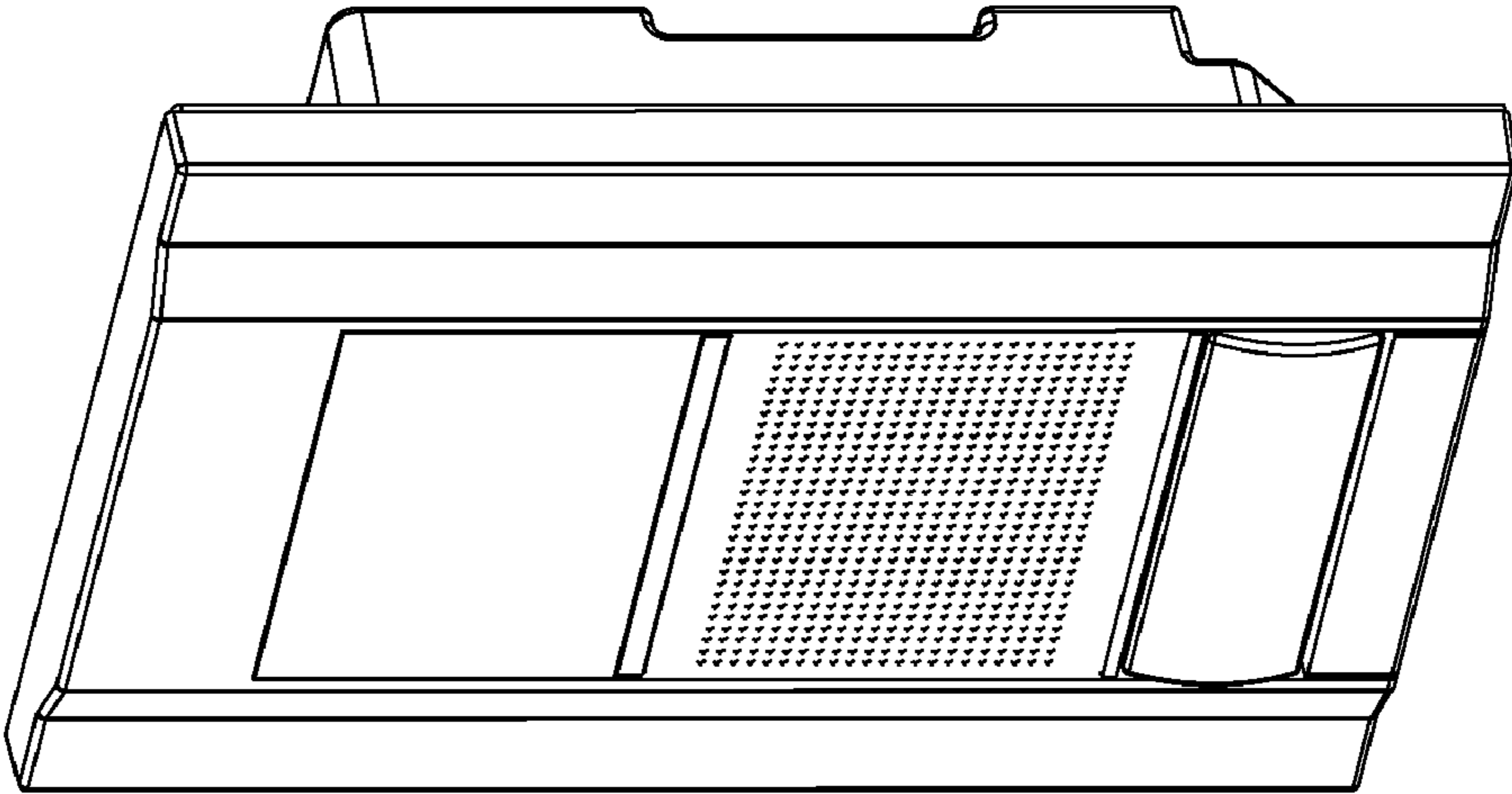


FIGURE 8

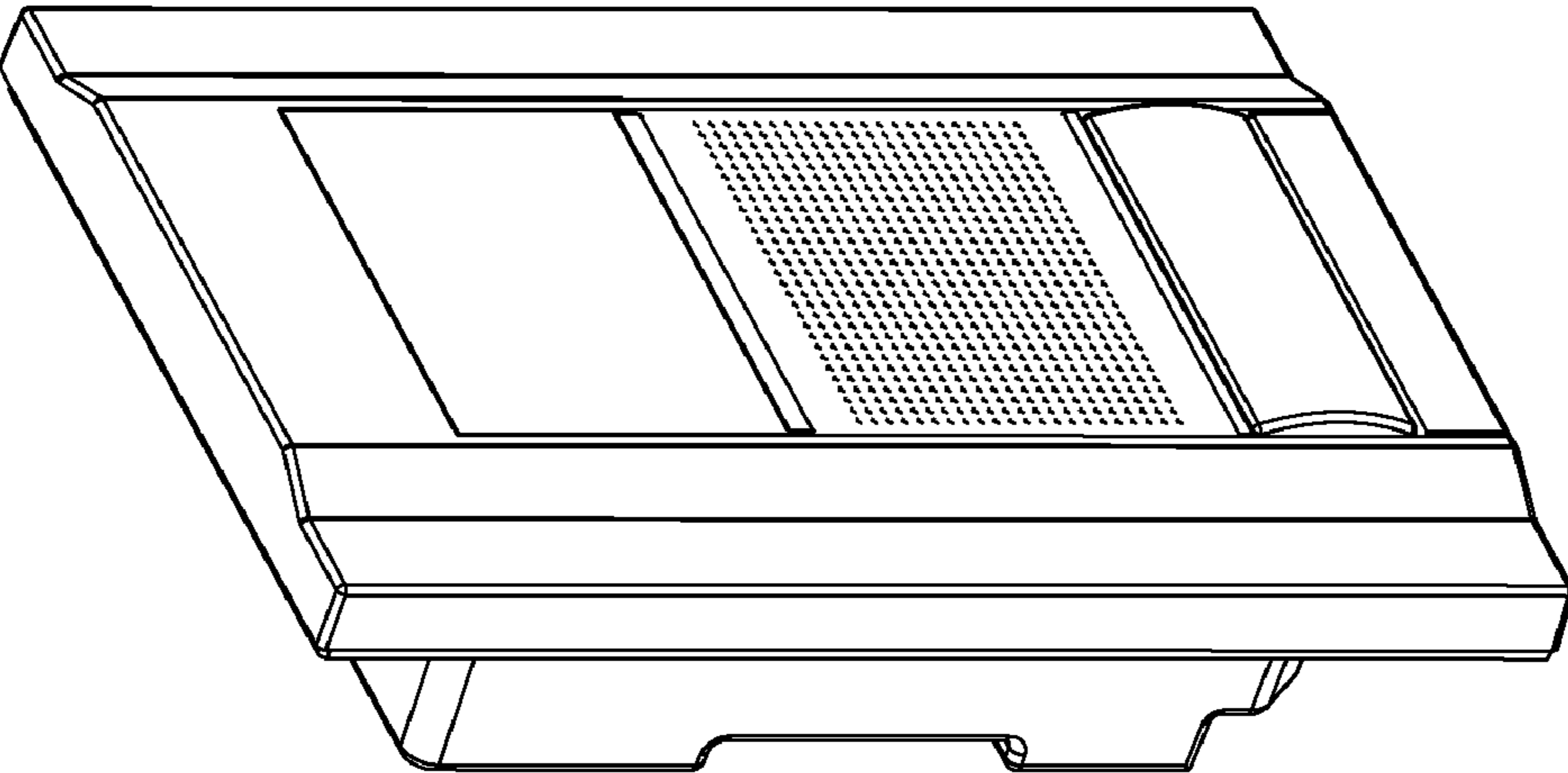


FIGURE 7

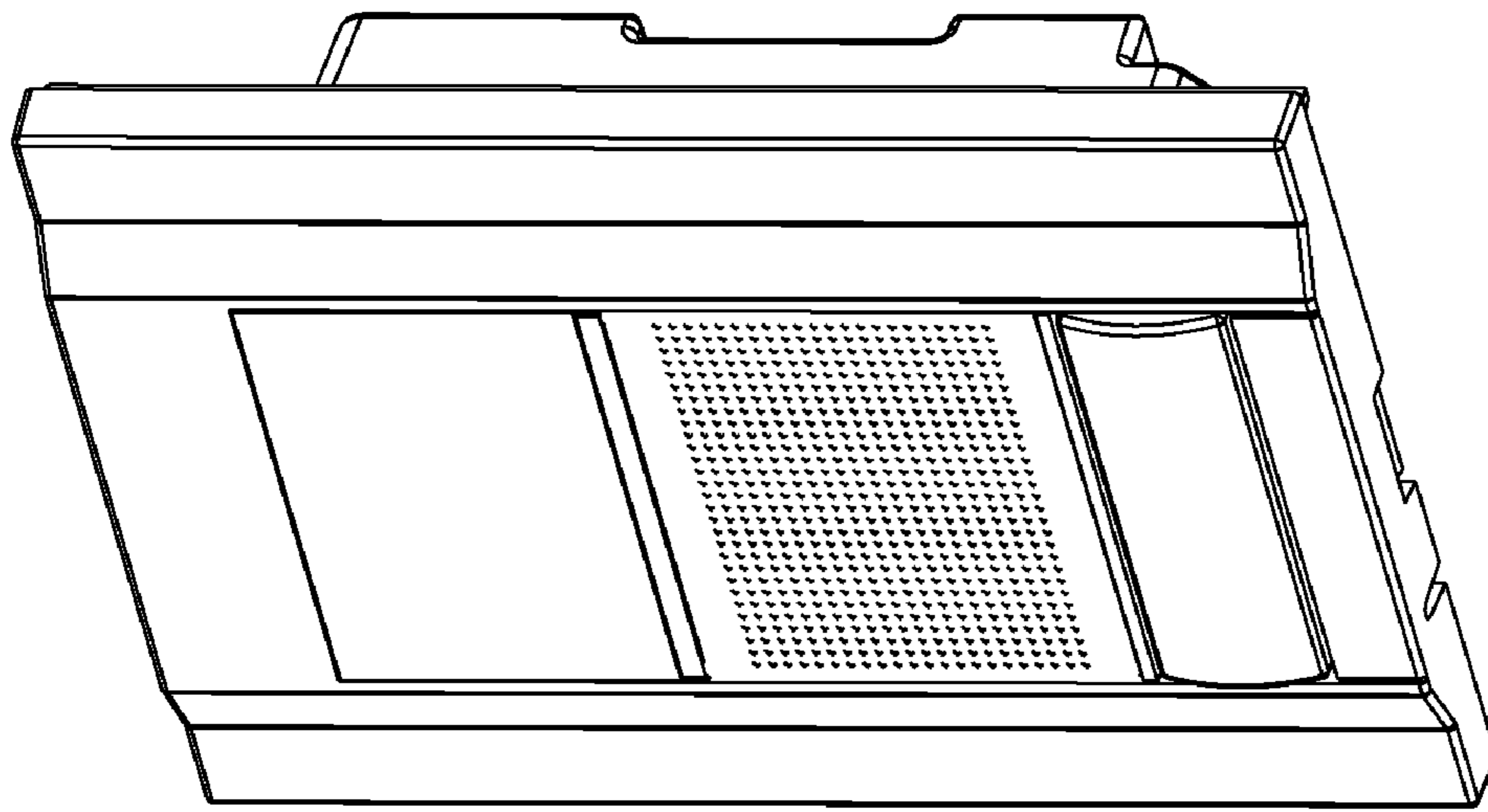


FIGURE 10

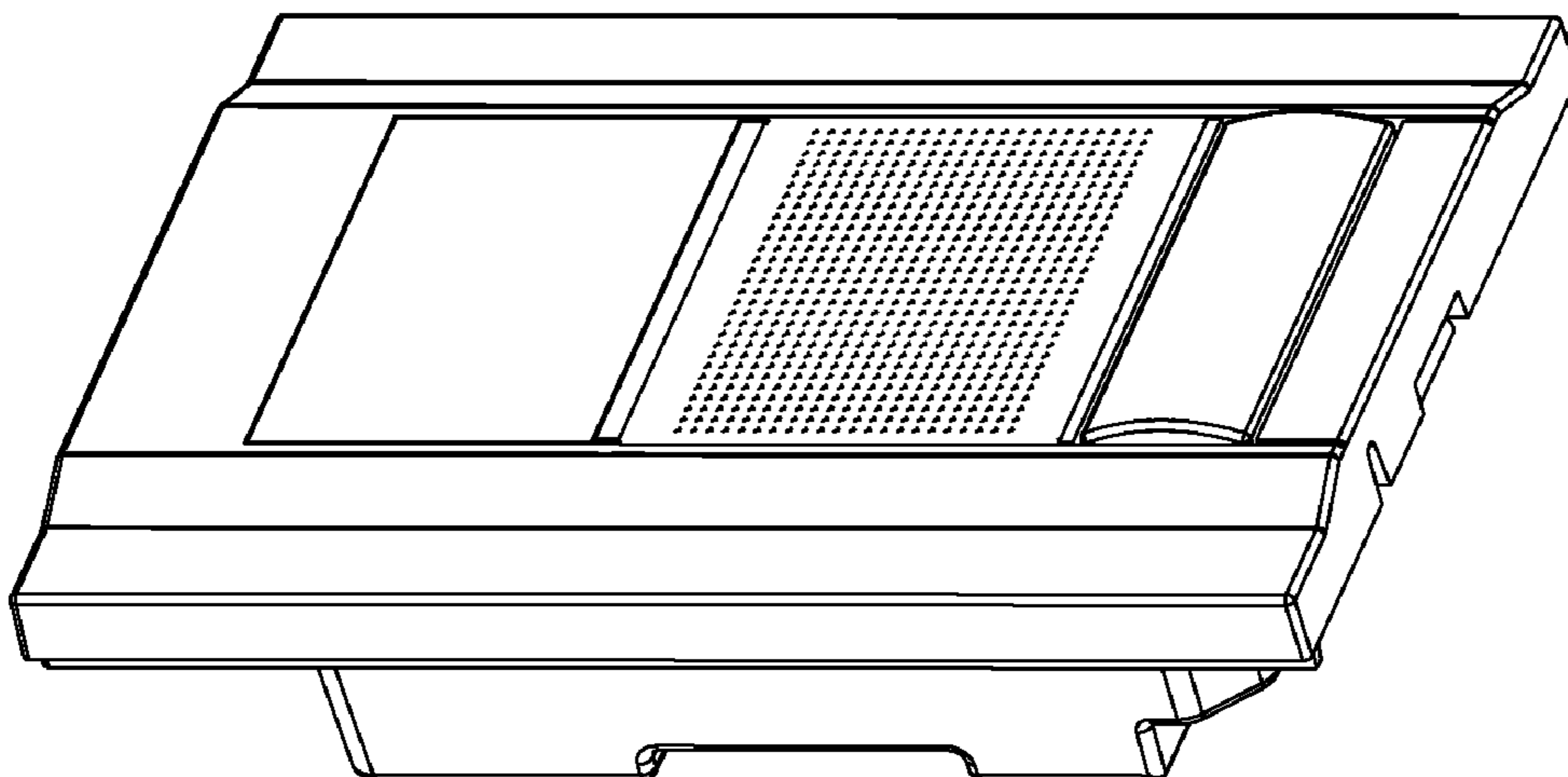


FIGURE 9

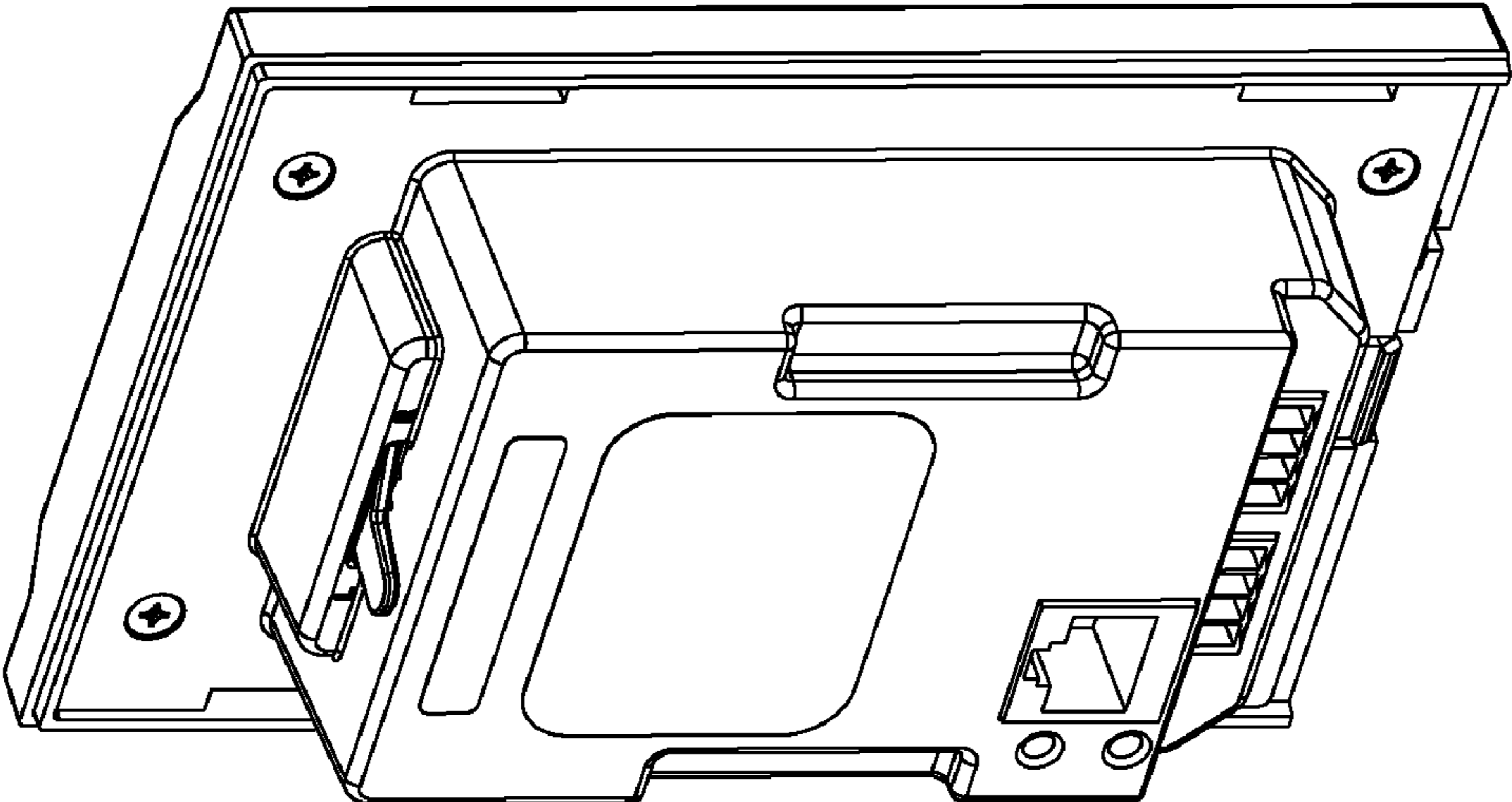


FIGURE 12

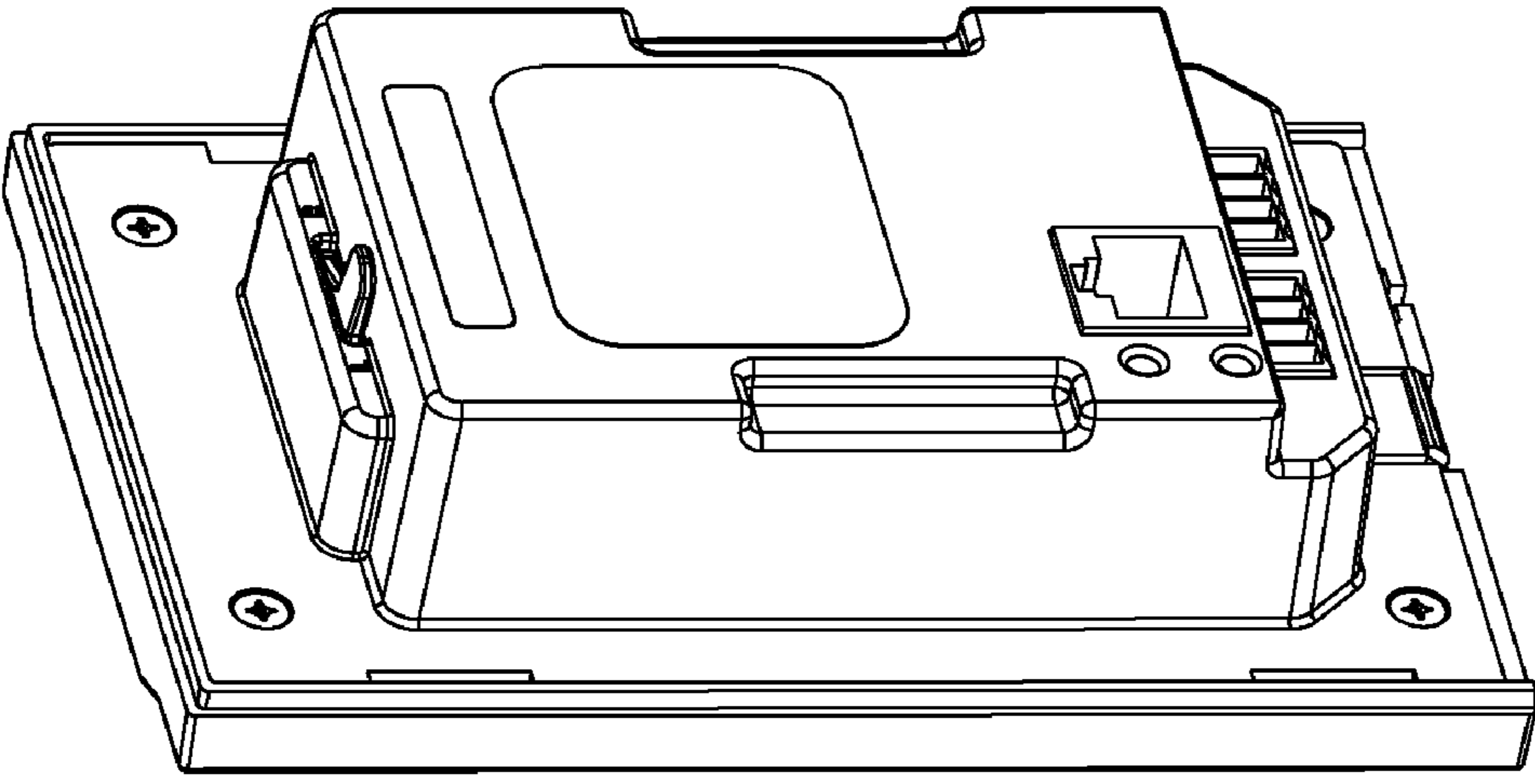


FIGURE 11

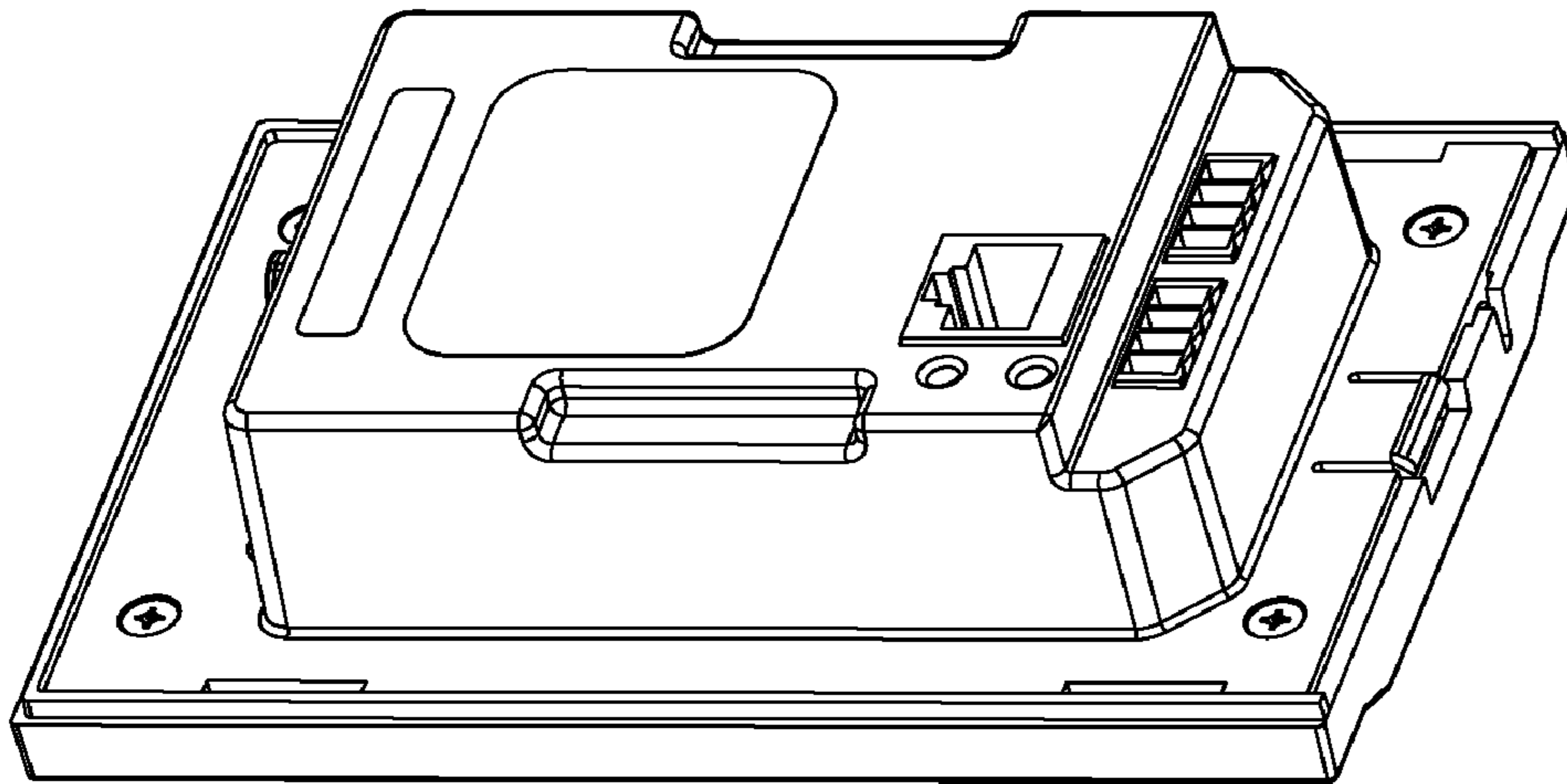


FIGURE 14

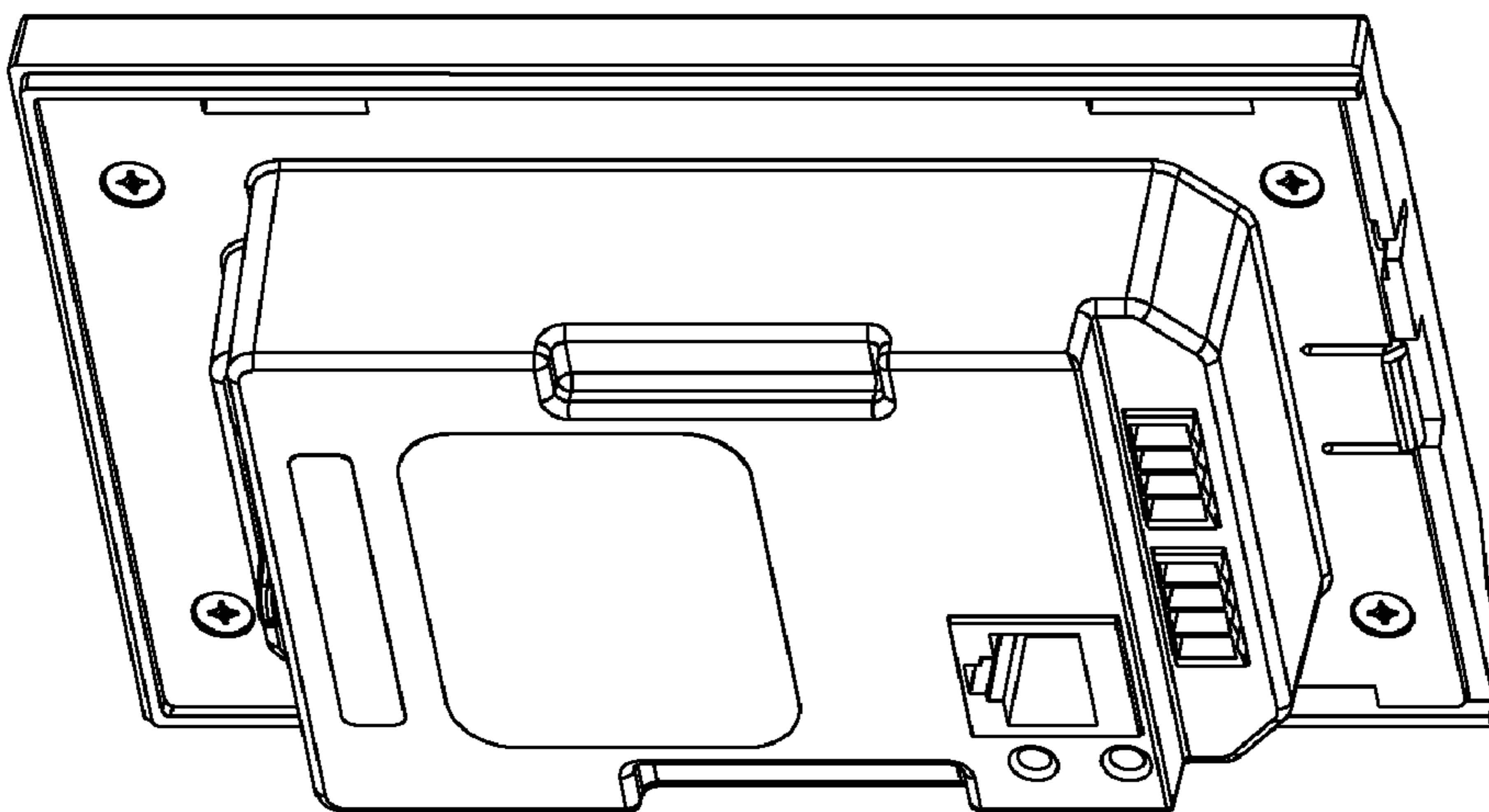


FIGURE 13