



US00D616319S

(12) **United States Design Patent**  
**Dupont et al.**

(10) **Patent No.:** **US D616,319 S**

(45) **Date of Patent:** **\*\* May 25, 2010**

(54) **ATTACHMENT FOR A TAPE MEASURE**

*Primary Examiner*—Antoine D Davis

(76) Inventors: **Larry Dupont**, 60 Foch Avenue,  
Winnipeg, Manitoba (CA) R2C 5H7;  
**Ronald Rougeau**, 2-552 Ritchot Street,  
Winnipeg, Mb (CA) R2H 2X3

(74) *Attorney, Agent, or Firm*—Adrian D. Battison; Ade & Company Inc.

(\*\*) Term: **14 Years**

(57) **CLAIM**

The ornamental design for an attachment for a measuring tape, shown and described.

(21) Appl. No.: **29/344,020**

**DESCRIPTION**

(22) Filed: **Sep. 22, 2009**

FIG. 1 is an isometric view of the attachment for a measuring tape showing the design.

(51) **LOC (9) Cl.** ..... **10-04**

FIG. 2 is a front elevational view of the attachment for a measuring tape showing the design.

(52) **U.S. Cl.** ..... **D10/74**

FIG. 3 is a rear elevational view of the attachment for a measuring tape showing the design.

(58) **Field of Classification Search** ..... D10/74;  
33/755, 759, 760, 761, 770, 668, 768, 769  
See application file for complete search history.

FIG. 4 is a top plan view of the attachment for a measuring tape showing the design.

(56) **References Cited**

FIG. 5 is a bottom plan view of the attachment for a measuring tape showing the design.

**U.S. PATENT DOCUMENTS**

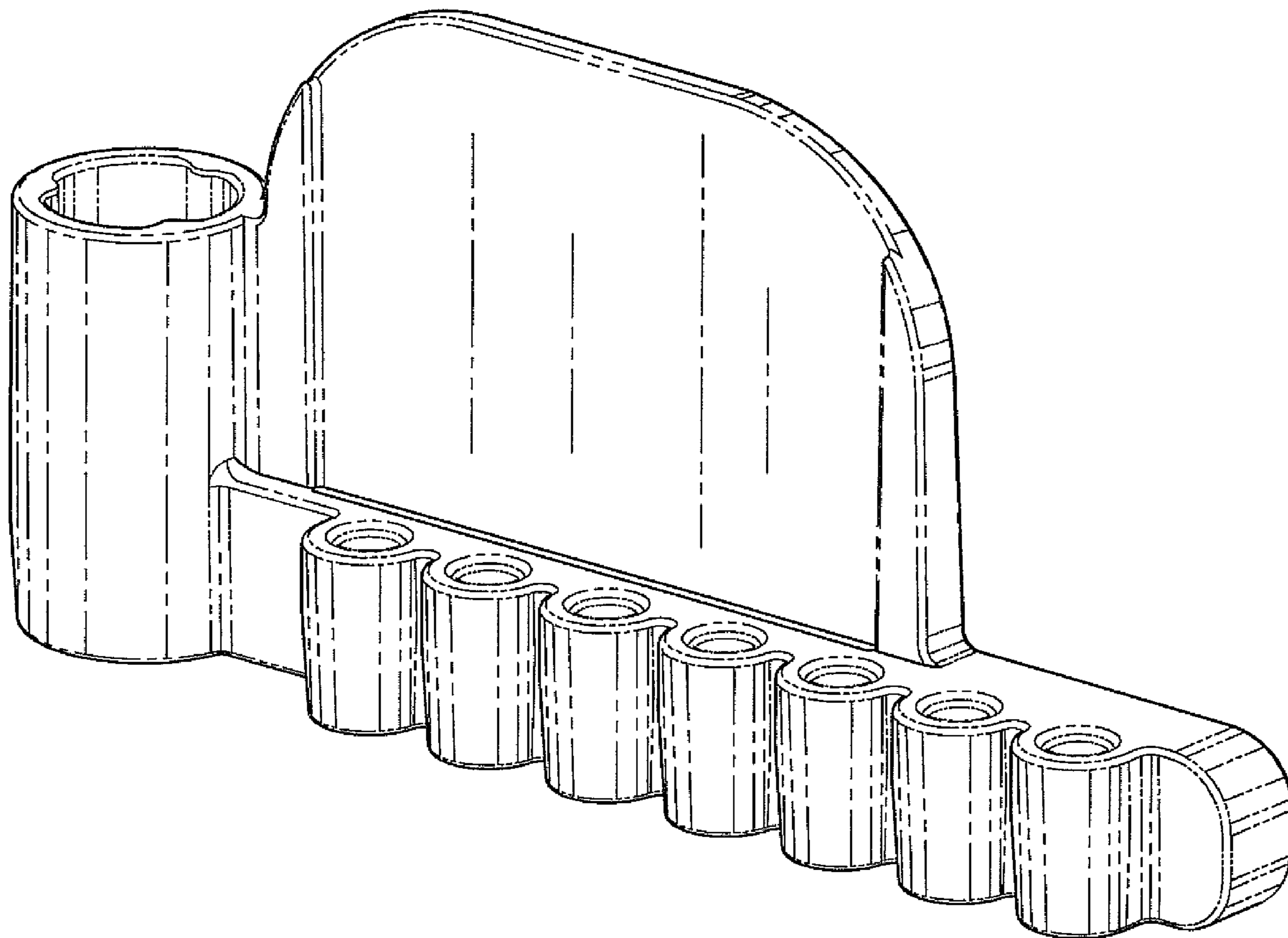
3,802,083	A *	4/1974	Freed	.....	D10/72
4,964,225	A *	10/1990	Waldherr	.....	33/768
5,113,596	A *	5/1992	Meyers	.....	33/760
7,500,322	B2 *	3/2009	Brown	.....	33/668

FIG. 6 is a first side elevational view of the attachment for a measuring tape showing the design; and,

FIG. 7 is a second side elevational view of the attachment for a measuring tape showing the design.

\* cited by examiner

**1 Claim, 7 Drawing Sheets**



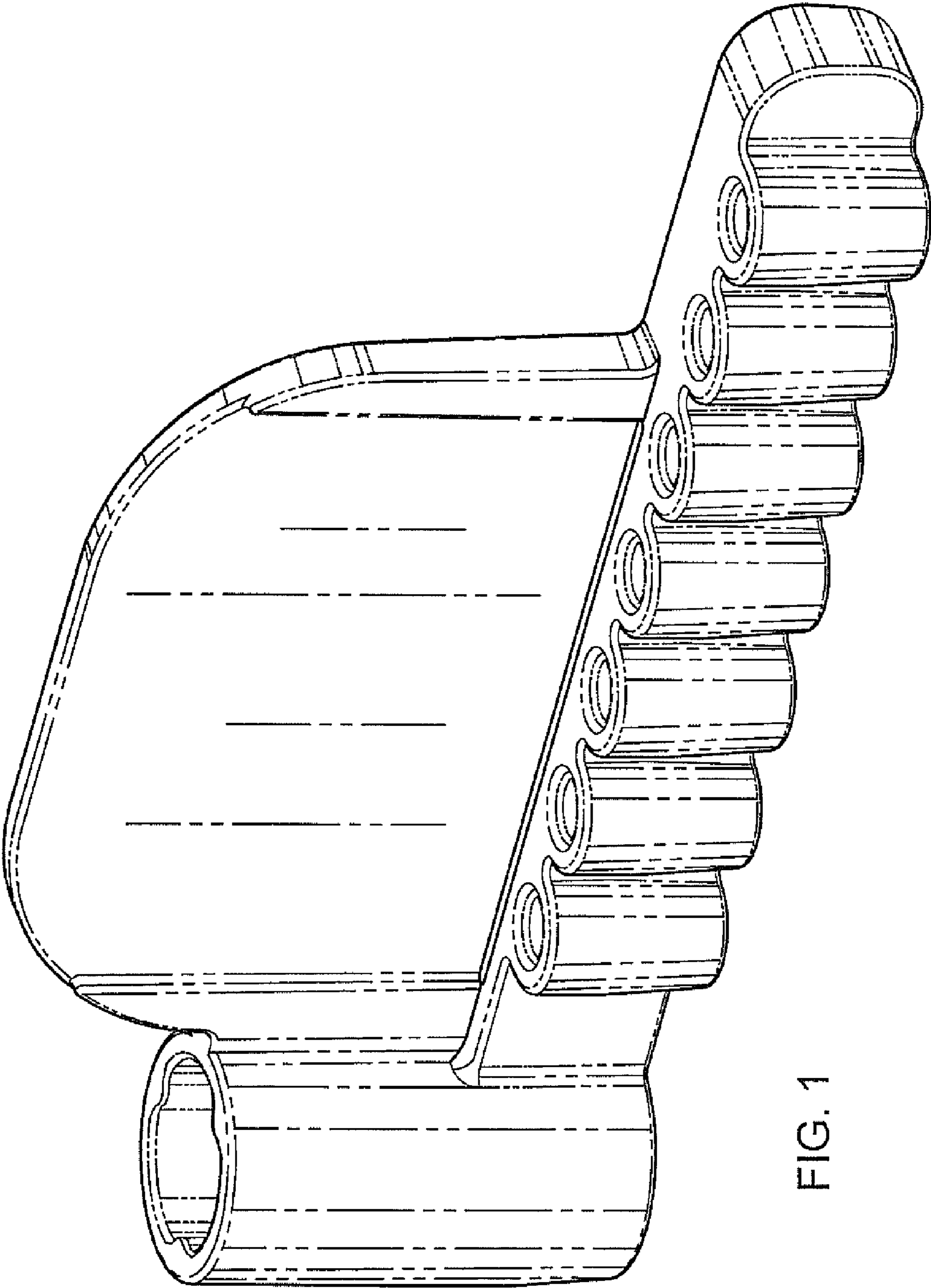


FIG. 1

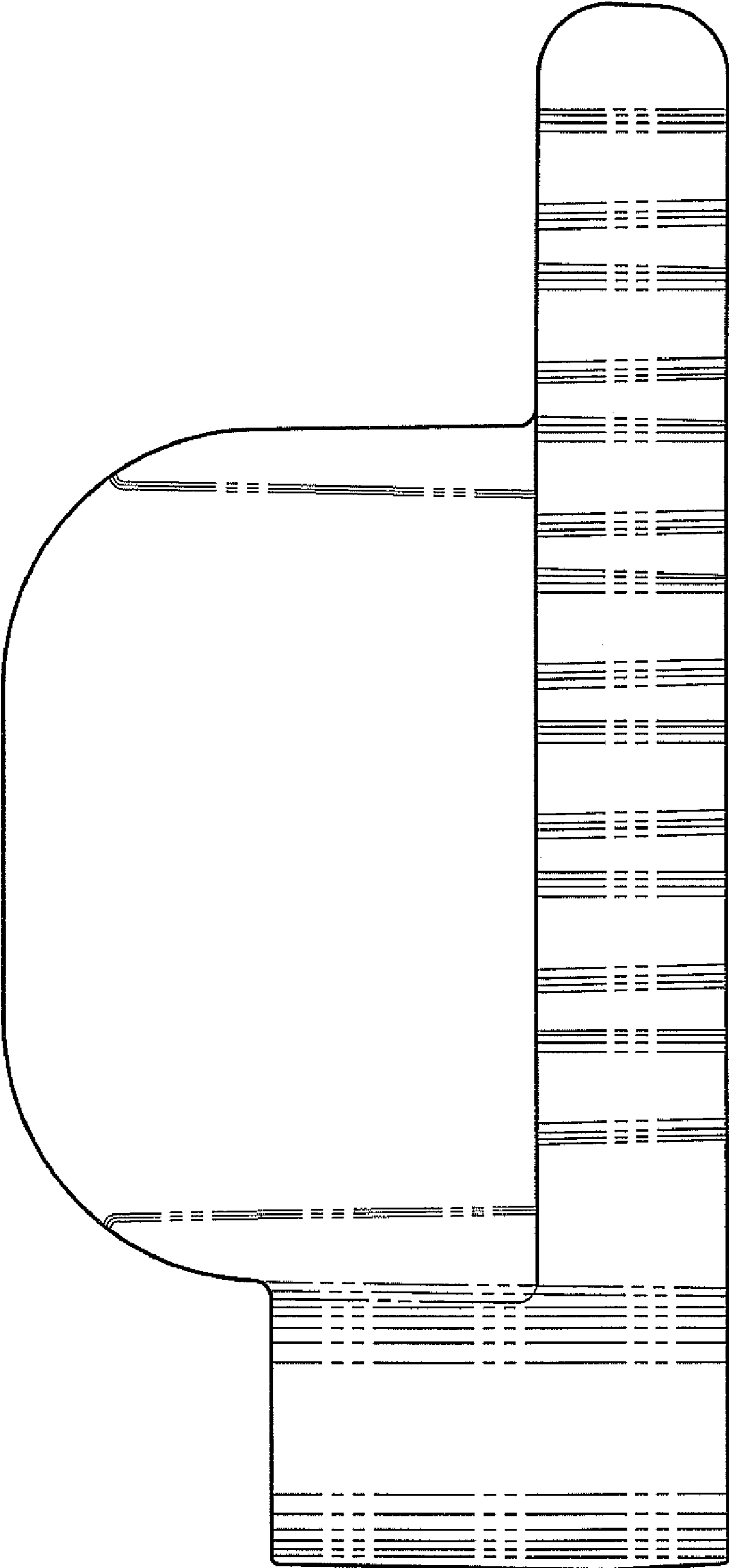


FIG.2

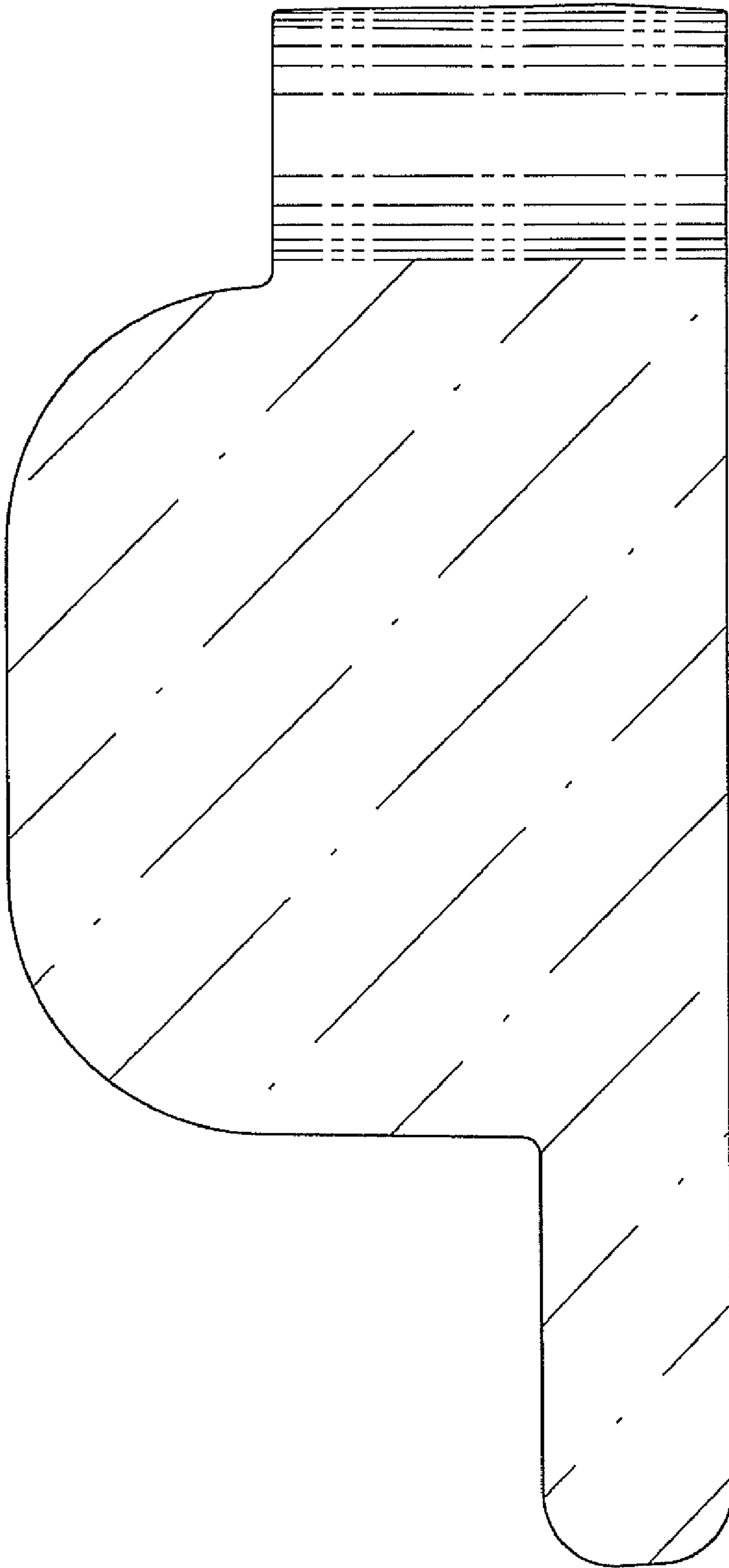


FIG.3

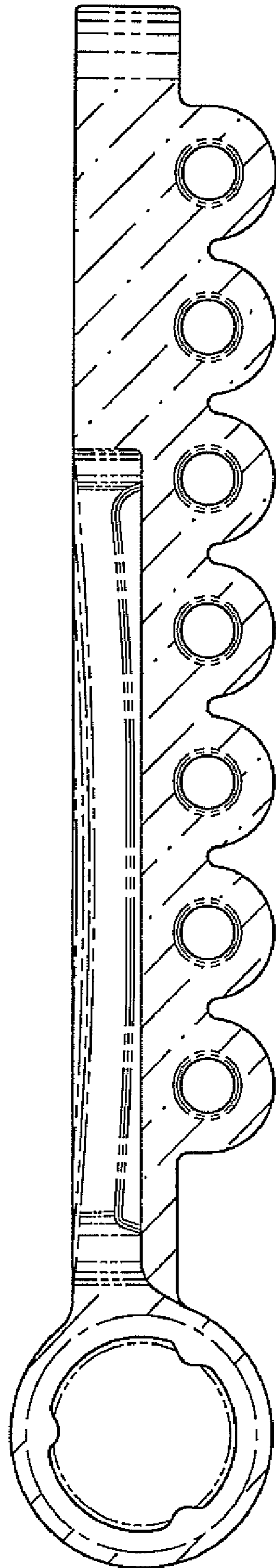


FIG. 4

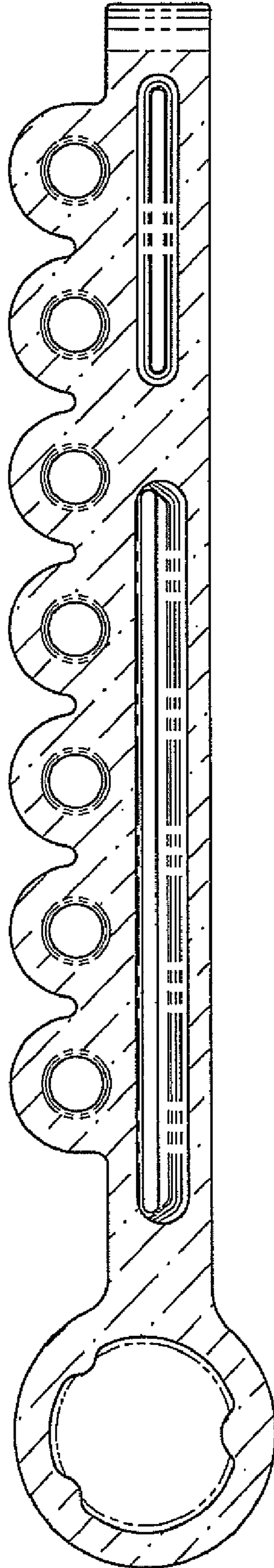


FIG. 5

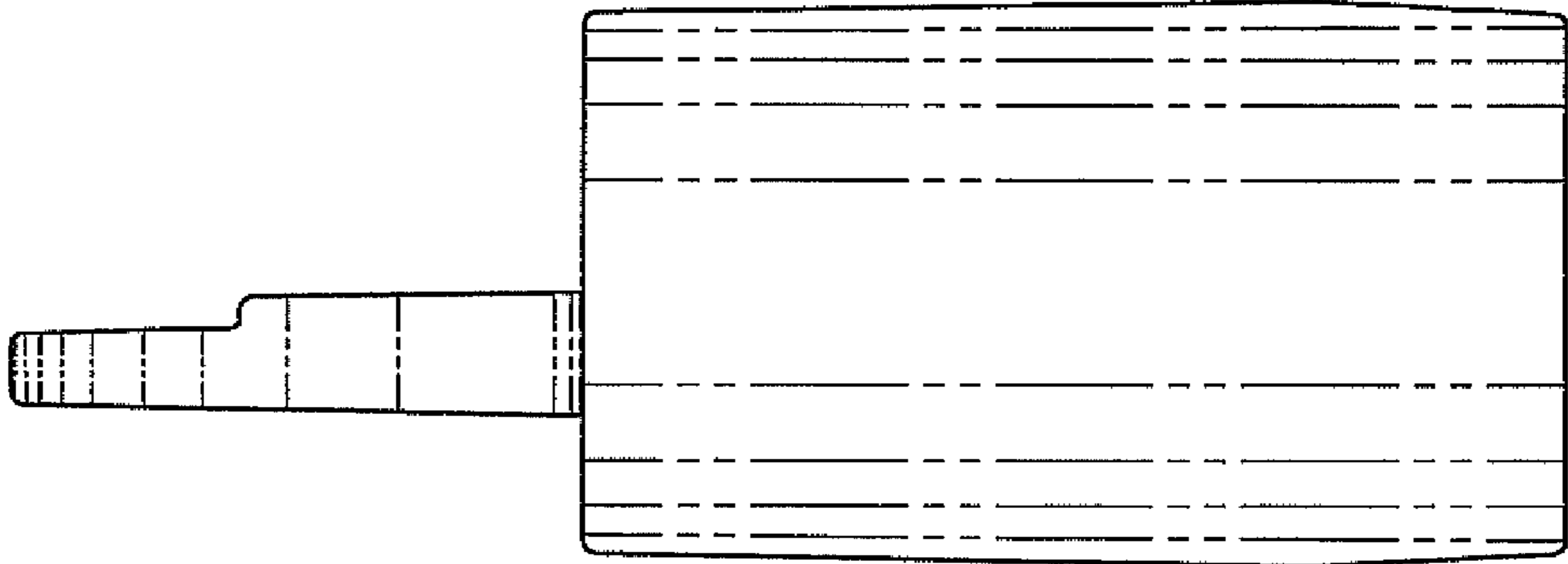


FIG. 6

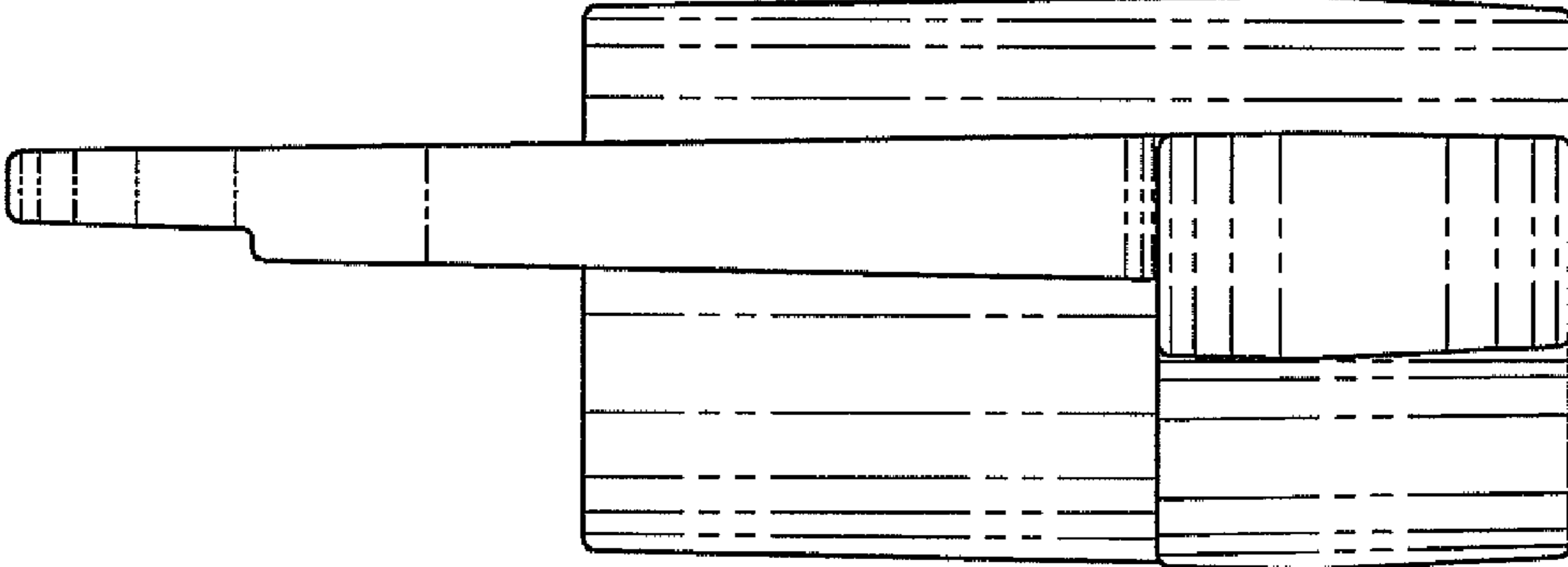


FIG. 7