



US00D616318S

(12) **United States Design Patent**  
**Yeh**

(10) **Patent No.:** **US D616,318 S**

(45) **Date of Patent:** **\*\* May 25, 2010**

(54) **RULE FOR CUTTING**

(76) Inventor: **Fang Chi Yeh**, No. 7, Avenue 12, Lane 91, Sec. 1, Neihu Road, Taipei 11442 (TW)

(\*\*) Term: **14 Years**

(21) Appl. No.: **29/316,736**

(22) Filed: **Oct. 27, 2009**

(51) **LOC (9) Cl.** ..... **10-04**

(52) **U.S. Cl.** ..... **D10/71**

(58) **Field of Classification Search** ..... D10/64, D10/71; 33/483-494

See application file for complete search history.

(56) **References Cited**

**U.S. PATENT DOCUMENTS**

5,873,171 A \* 2/1999 Hsu ..... 33/484  
6,594,939 B2 \* 7/2003 Ondusko ..... 43/4

\* cited by examiner

*Primary Examiner*—Antoine D Davis

(74) *Attorney, Agent, or Firm*—Charles E. Baxley

(57) **CLAIM**

The ornamental design for a rule for cutting, as shown and described.

**DESCRIPTION**

FIG. 1 is an upper perspective view of a rule for cutting showing my new design;

FIG. 2 is a front elevational view thereof;

FIG. 3 is a rear elevational view thereof;

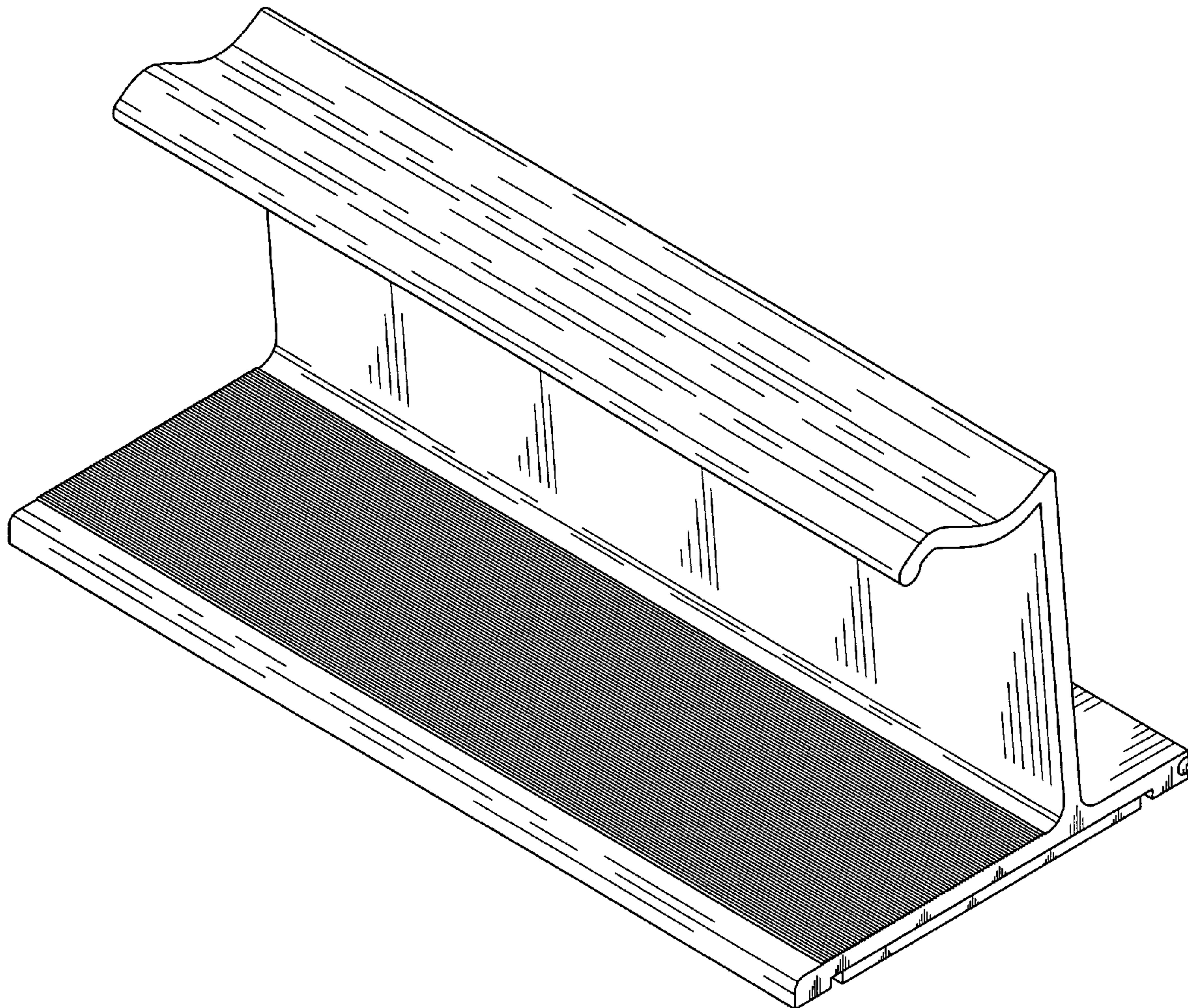
FIG. 4 is a top plan view thereof;

FIG. 5 is a bottom plan view thereof;

FIG. 6 is a left side elevational view thereof; and,

FIG. 7 is a right side elevational view thereof.

**1 Claim, 6 Drawing Sheets**





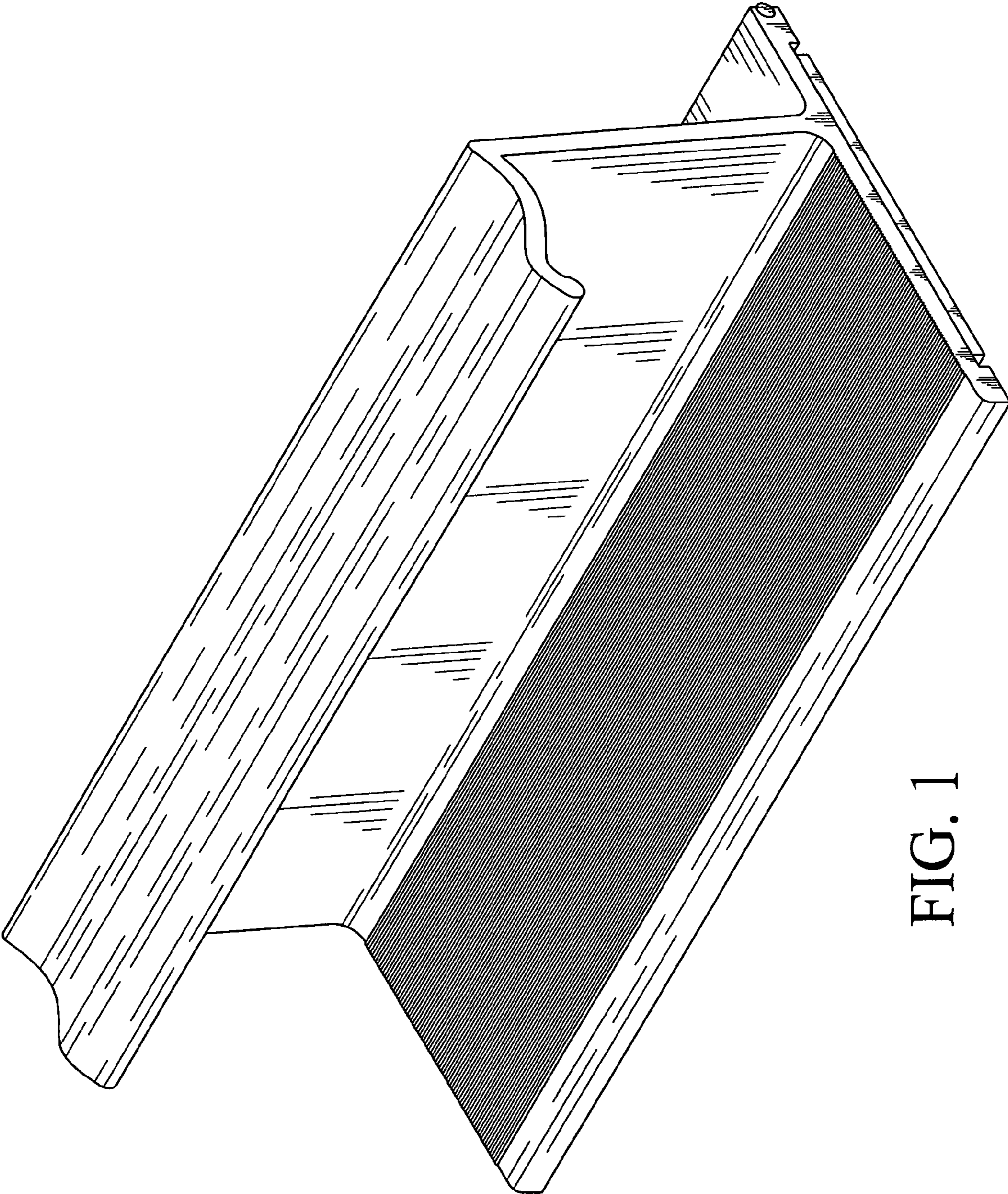


FIG. 1





FIG. 3

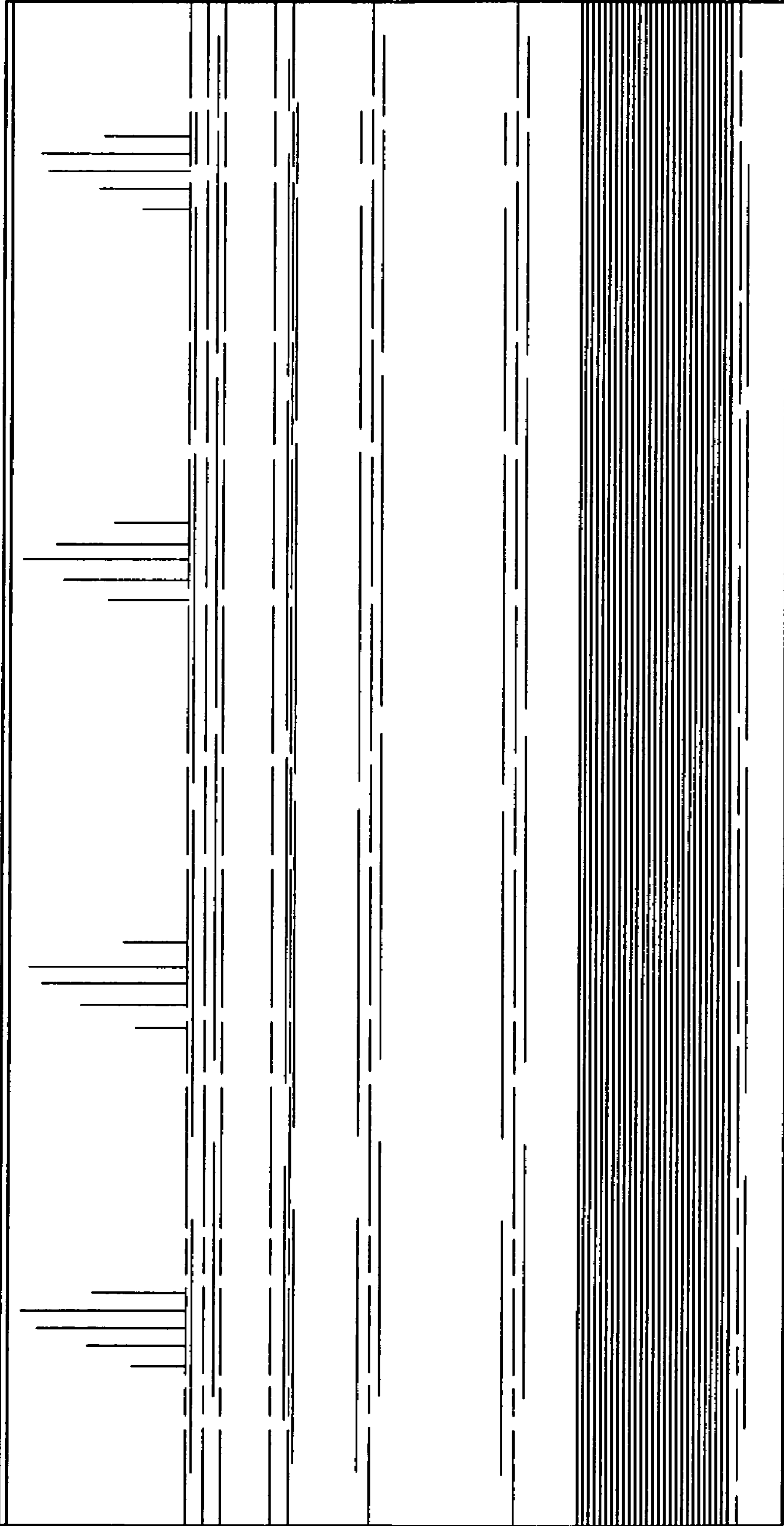


FIG. 4

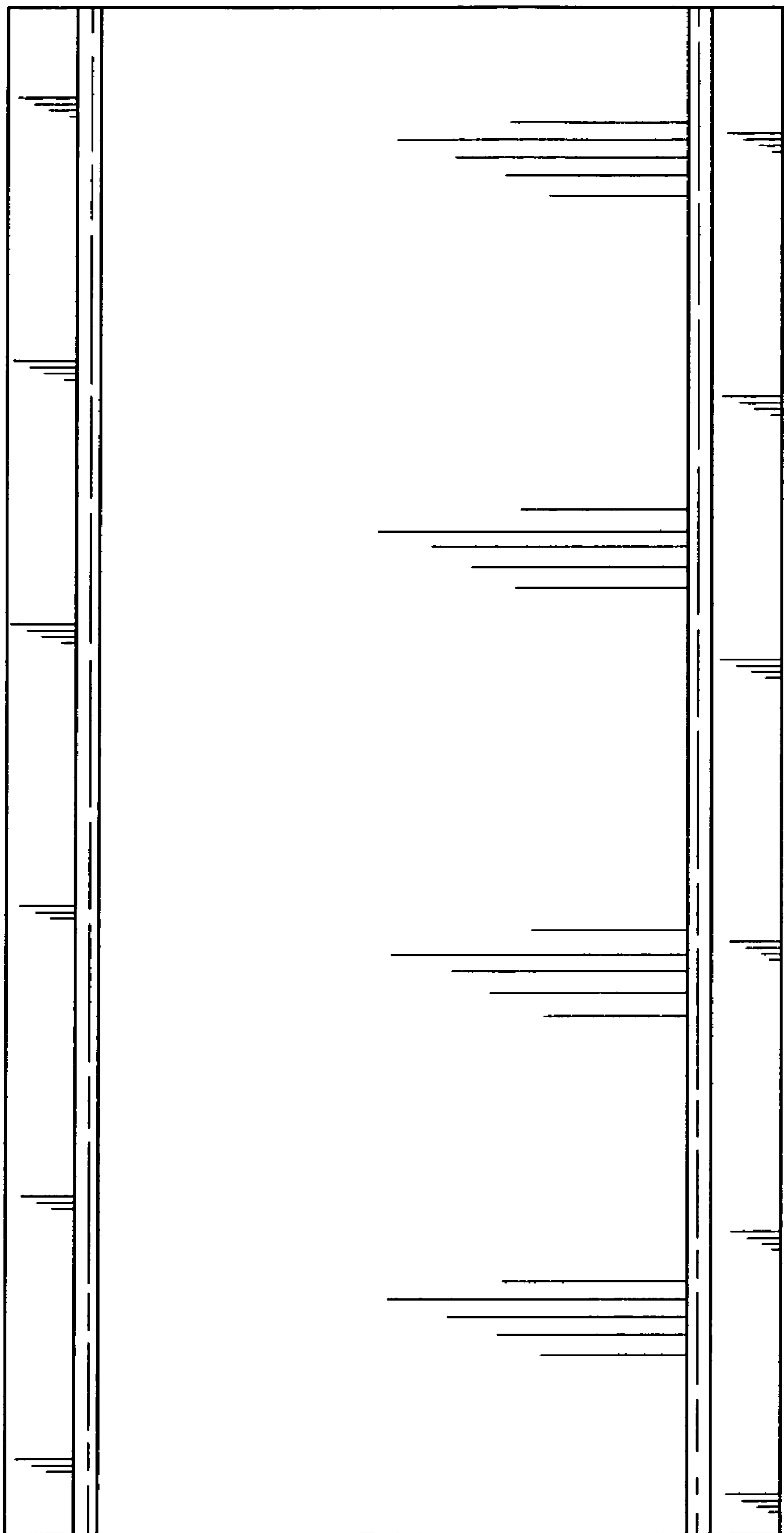


FIG. 5

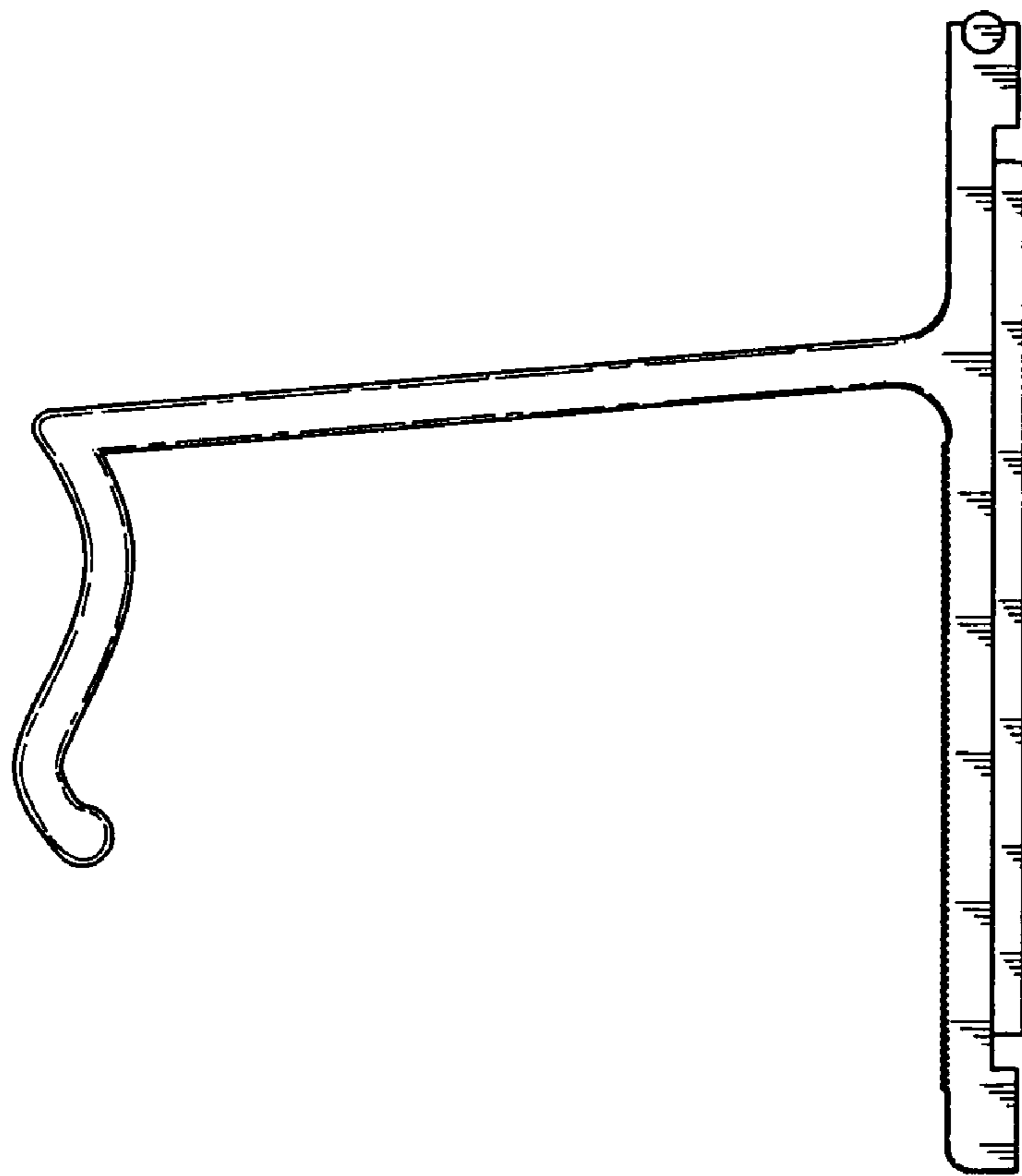


FIG. 6

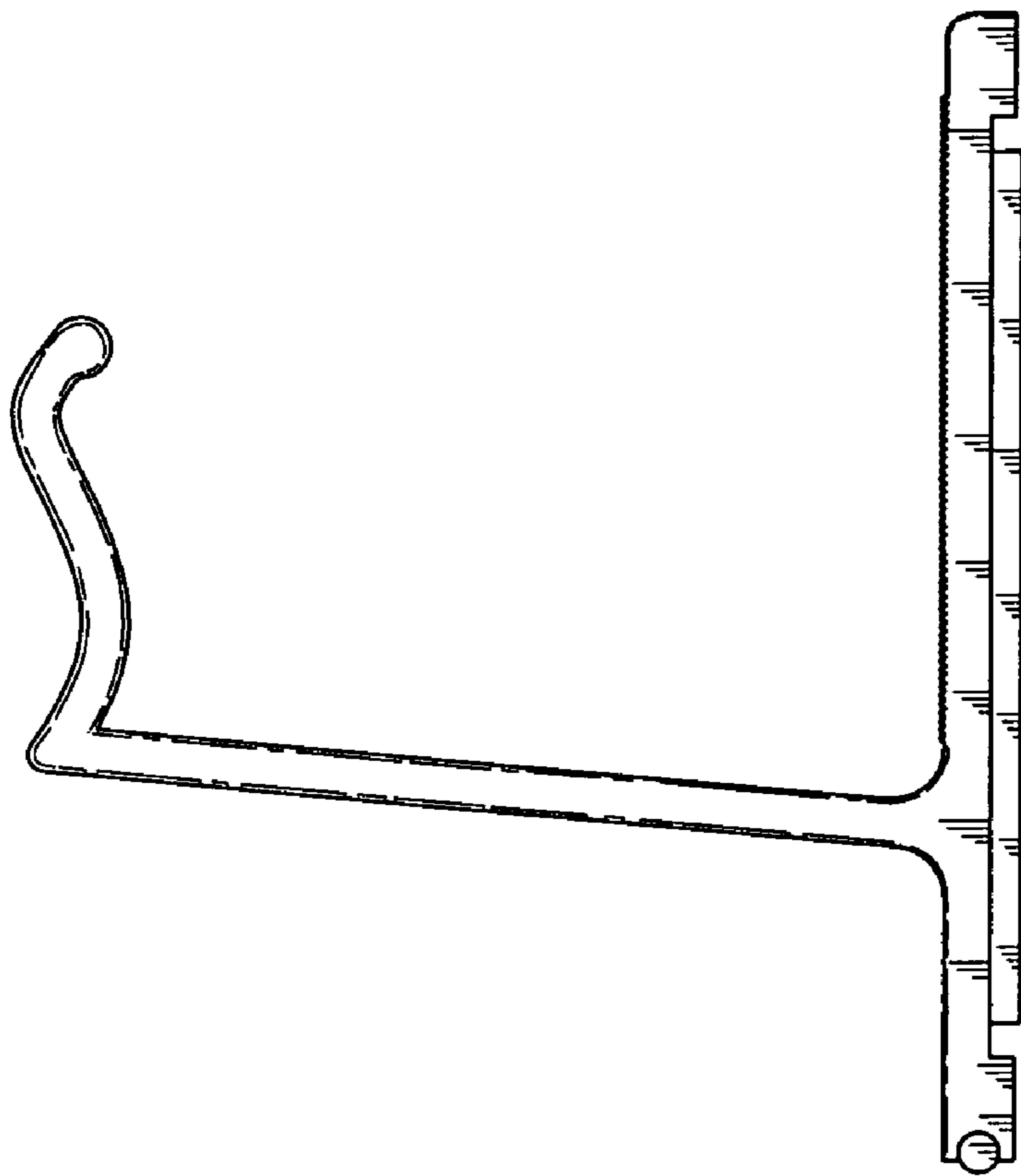


FIG. 7