



US00D616315S

(12) **United States Design Patent**  
**Johnson**

(10) **Patent No.:** **US D616,315 S**

(45) **Date of Patent:** **\*\* May 25, 2010**

(54) **MAP UTILIZATION ASSISTANCE TOOL**

*Primary Examiner*—Antoine D Davis

(74) *Attorney, Agent, or Firm*—Heisler & Associates

(76) **Inventor:** **William L. Johnson**, P.O. Box 13970,  
Alexandria, LA (US) 71315

(57) **CLAIM**

(\*\*) **Term:** **14 Years**

The ornamental design for a map utilization assistance tool,  
as shown and described.

(21) **Appl. No.:** **29/313,097**

(22) **Filed:** **Dec. 5, 2008**

**DESCRIPTION**

(51) **LOC (9) Cl.** ..... **10-04**

FIG. 1 is a perspective view of the map utilization assistance tool.

(52) **U.S. Cl.** ..... **D10/61; D10/64; D10/65;**  
**D10/70; D10/71**

FIG. 2 is a front elevation view of the invention.

(58) **Field of Classification Search** ..... **D10/65,**  
**D10/61, 64, 68, 70, 71; 33/1 C, 1 D, 1 G,**  
**33/1 H, 1 M, 1 N, 1 SB, 1 SD, 431, 452,**  
**33/457, 464, 474, 481**

FIG. 3 is a first side view of the invention, the opposite side view being a mirror image.

See application file for complete search history.

FIG. 4 is a second side view of the invention, the opposite side being a mirror image.

(56) **References Cited**

FIG. 5 is a rear elevation view of the invention.

**U.S. PATENT DOCUMENTS**

FIG. 6 is a detail of that indicated in FIG. 3; and,

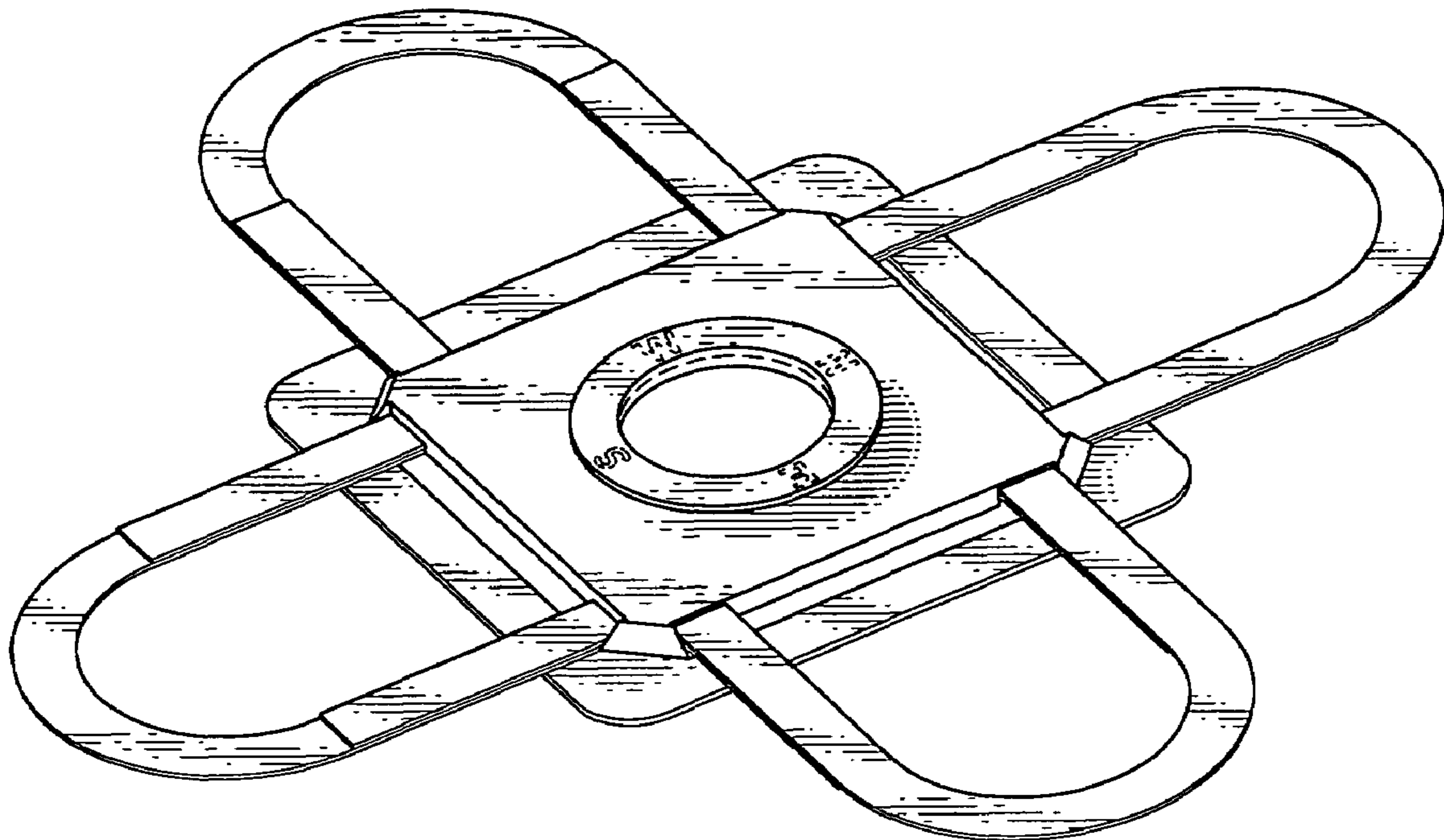
- 5,745,074 A \* 4/1998 Laude ..... 33/1 G
- 5,983,509 A \* 11/1999 Gosselin et al. .... 33/1 SD
- 6,467,179 B1 \* 10/2002 Wolf ..... 33/474

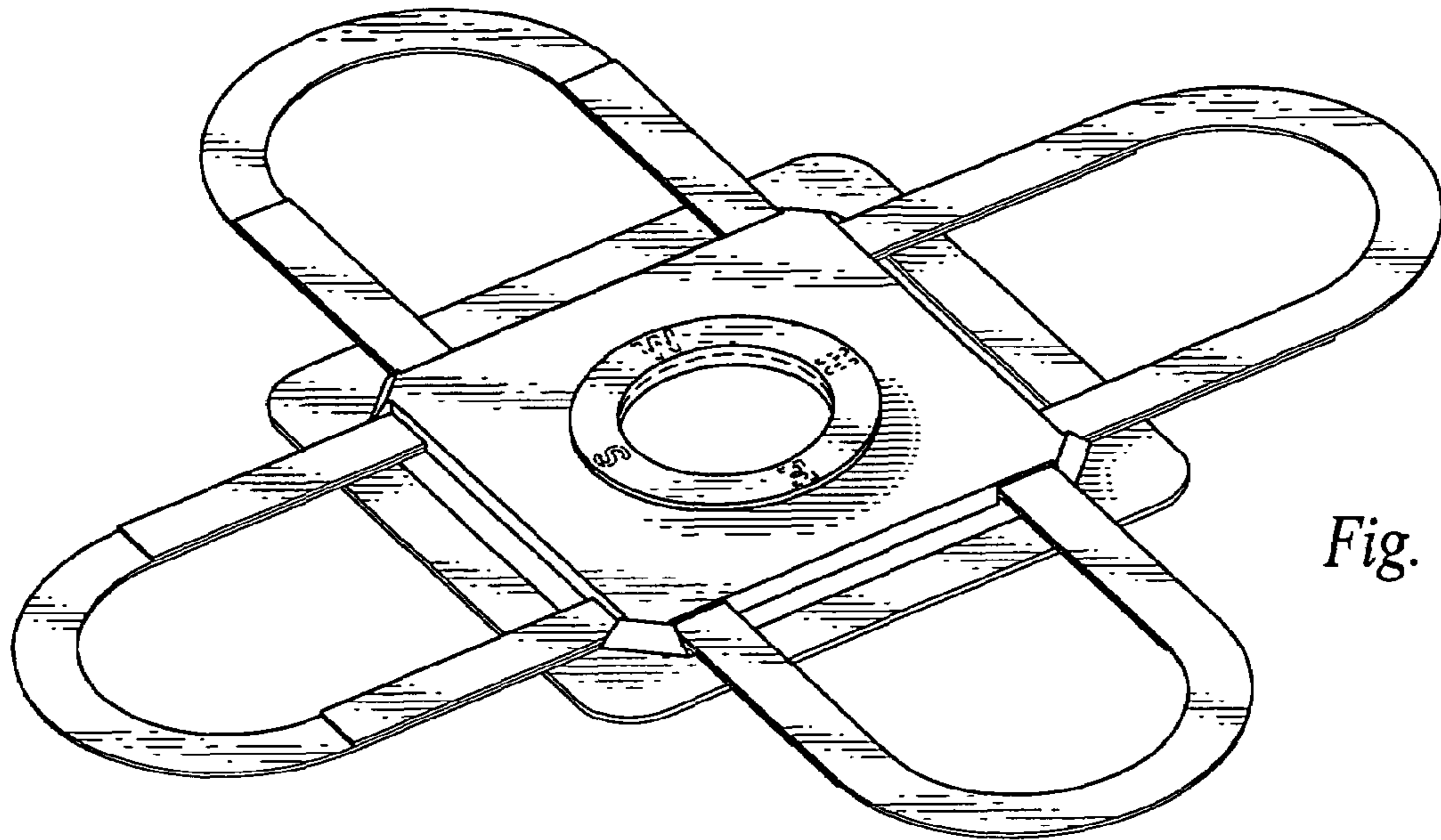
FIG. 7 is a perspective view of the invention in use with the slides extended.

The broken lines in FIGS. 1–4, 6 and 7 are for purposes of illustration only and form no part of the claimed design.

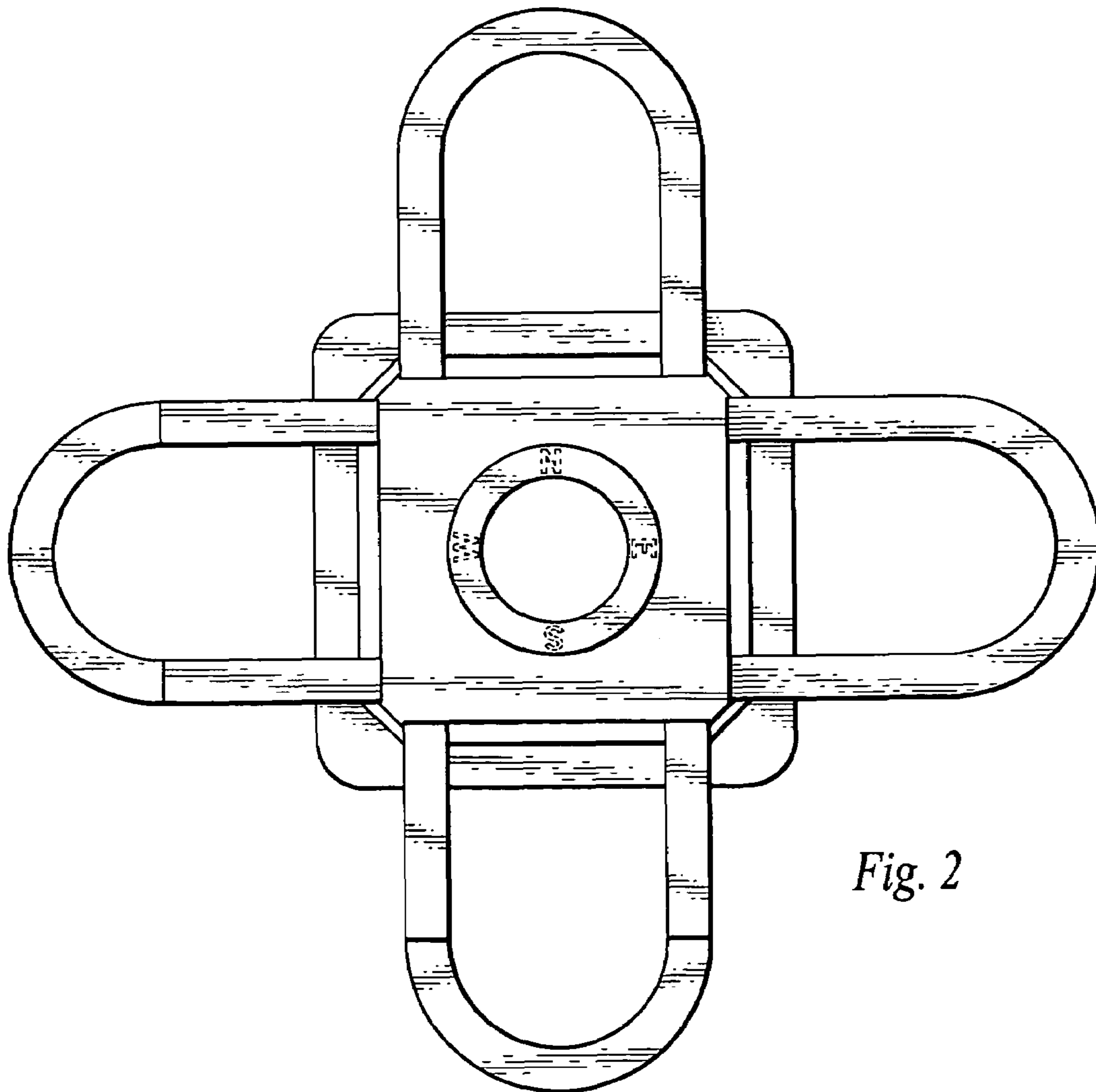
\* cited by examiner

**1 Claim, 3 Drawing Sheets**





*Fig. 1*



*Fig. 2*

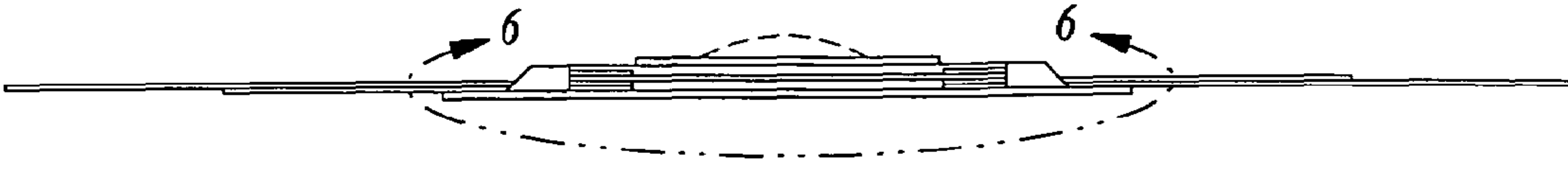


Fig. 3

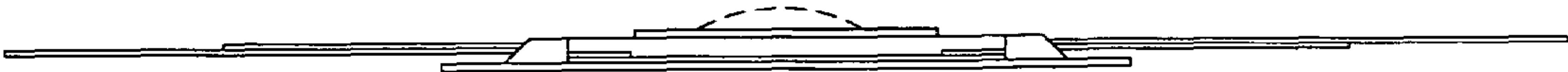


Fig. 4

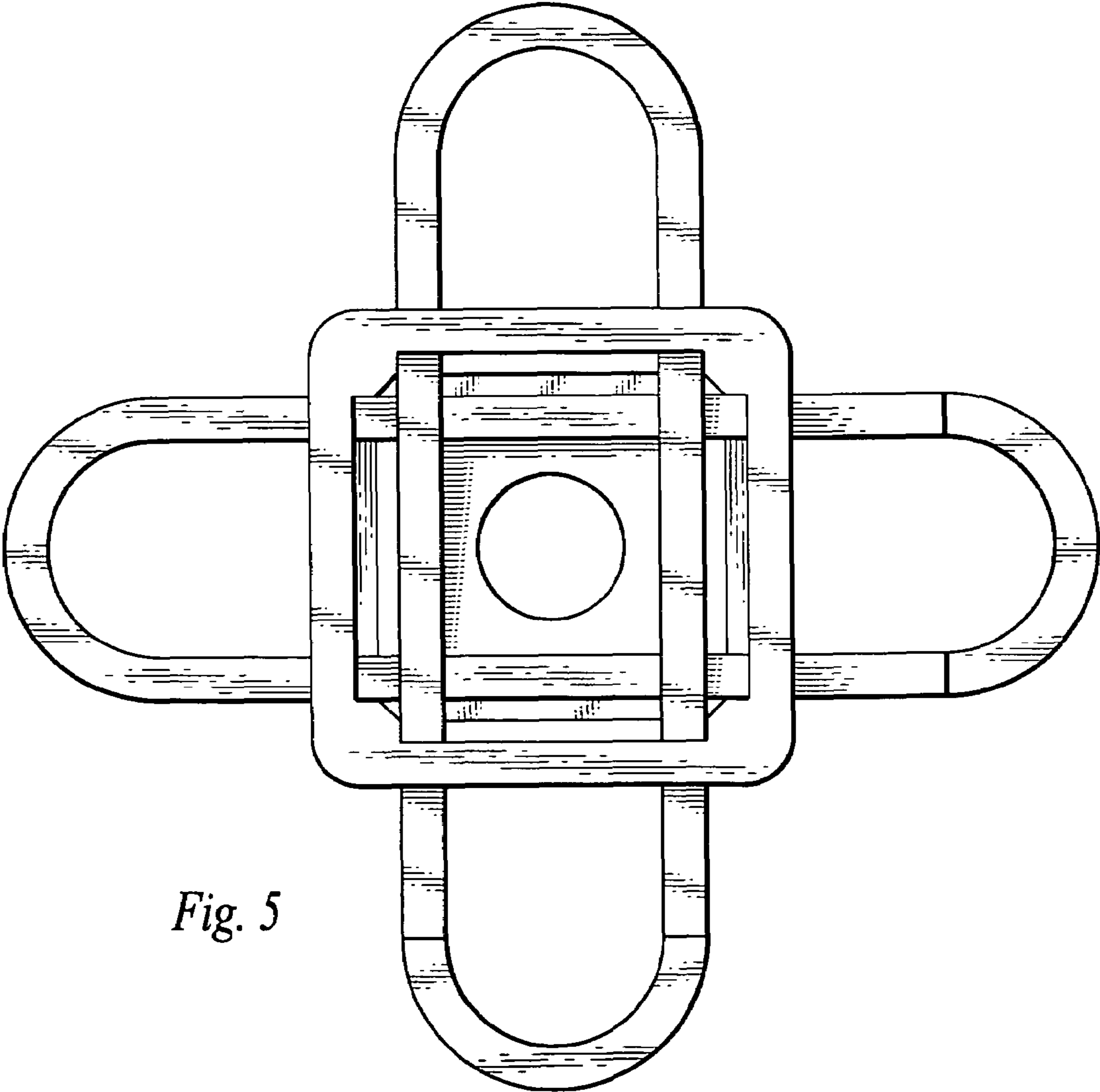


Fig. 5

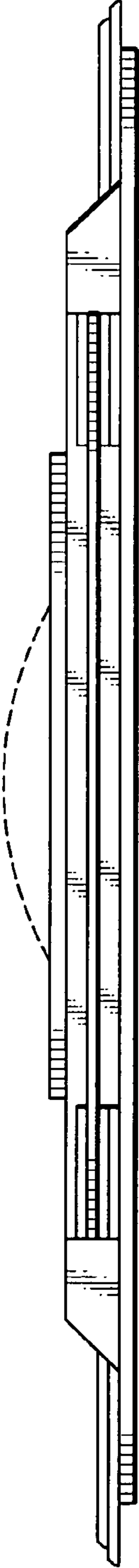


Fig. 6

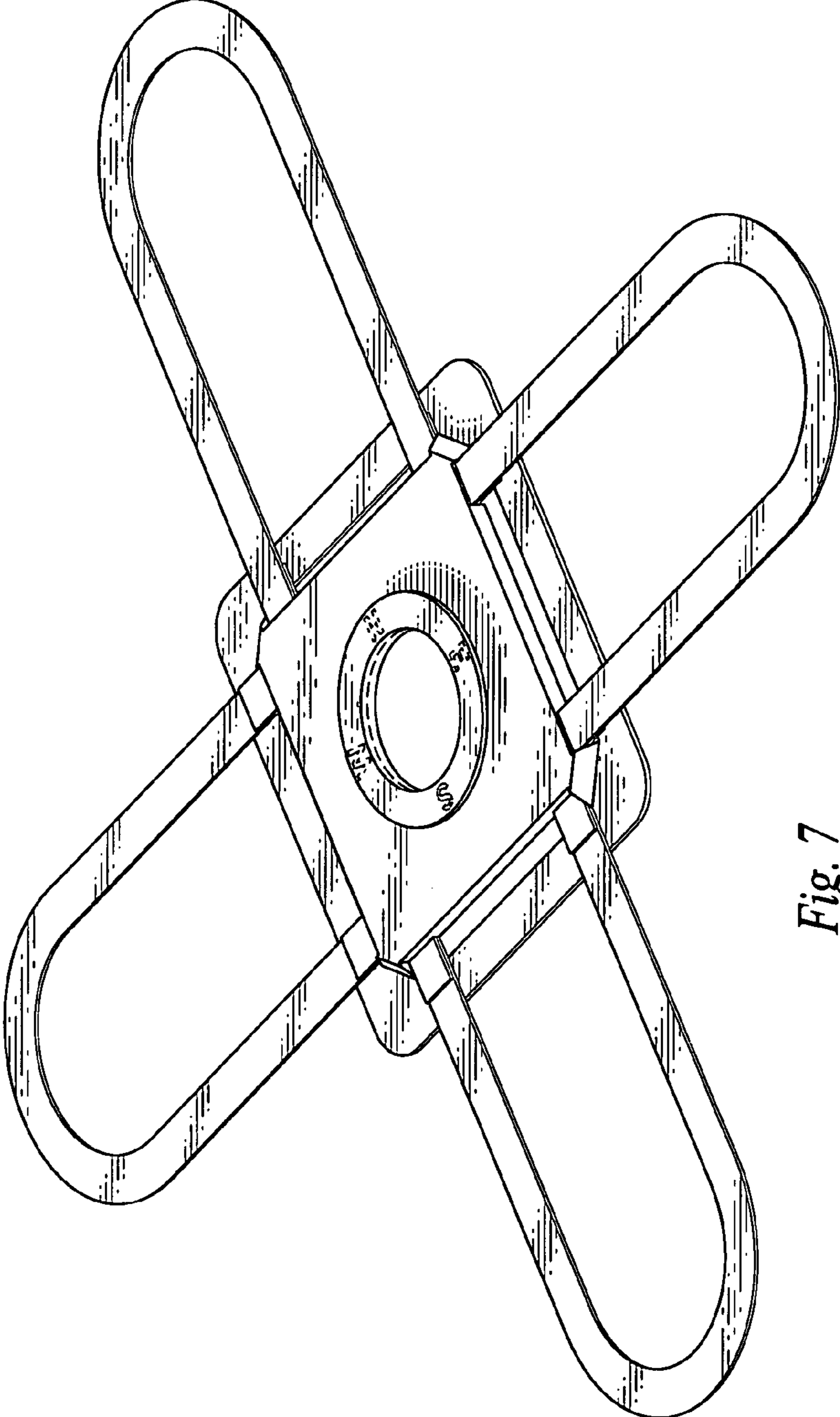


Fig. 7