



US00D616314S

(12) **United States Design Patent**
Akomolede

(10) **Patent No.:** **US D616,314 S**

(45) **Date of Patent:** **** May 25, 2010**

(54) **SOIL SAMPLING AND TESTING TOOL**

7,617,718 B2 * 11/2009 Kinast et al. 73/84

(76) Inventor: **Olusegun Akomolede**, 5803 Glen Brook Ct., Mason, OH (US) 45040

* cited by examiner

Primary Examiner—Antoine D Davis

(74) *Attorney, Agent, or Firm*—Neal O. Willmann

(**) Term: **14 Years**

(21) Appl. No.: **29/315,447**

(57) **CLAIM**

(22) Filed: **Jun. 29, 2009**

The ornamental design for the soil sampling and testing tool, as shown and described.

(51) **LOC (9) Cl.** **10-04**

(52) **U.S. Cl.** **D10/56; D10/81**

(58) **Field of Classification Search** D10/56, D10/81; 73/84, 149, 433, 784, 864.44; 175/19, 175/20, 50, 58, 226; 422/101, 102
See application file for complete search history.

DESCRIPTION

FIG. 1 is a perspective view of a soil sampling and testing tool showing my new design;

FIG. 2 is an elevated side view thereof, all sides being the same;

FIG. 3 is a bottom end plan view thereof;

FIG. 4 is a top end plan view thereof; and,

FIG. 5 is an enlarged view of the top end isolated in FIG. 2.

(56) **References Cited**

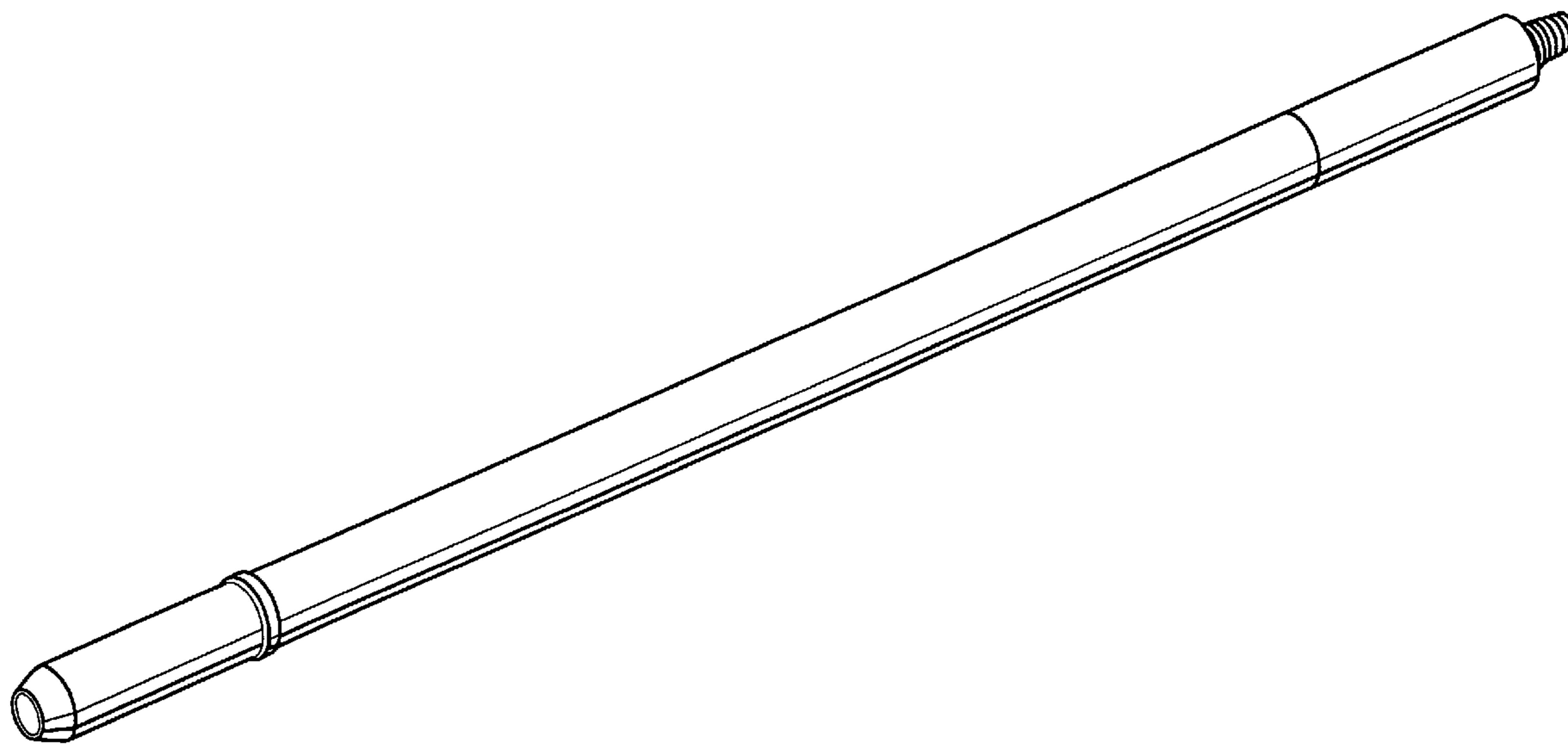
U.S. PATENT DOCUMENTS

5,786,527 A * 7/1998 Tarte 73/864.43

5,992,213 A * 11/1999 Tartre 73/864.43

D418,073 S * 12/1999 Kreutzer et al. D10/81

1 Claim, 2 Drawing Sheets



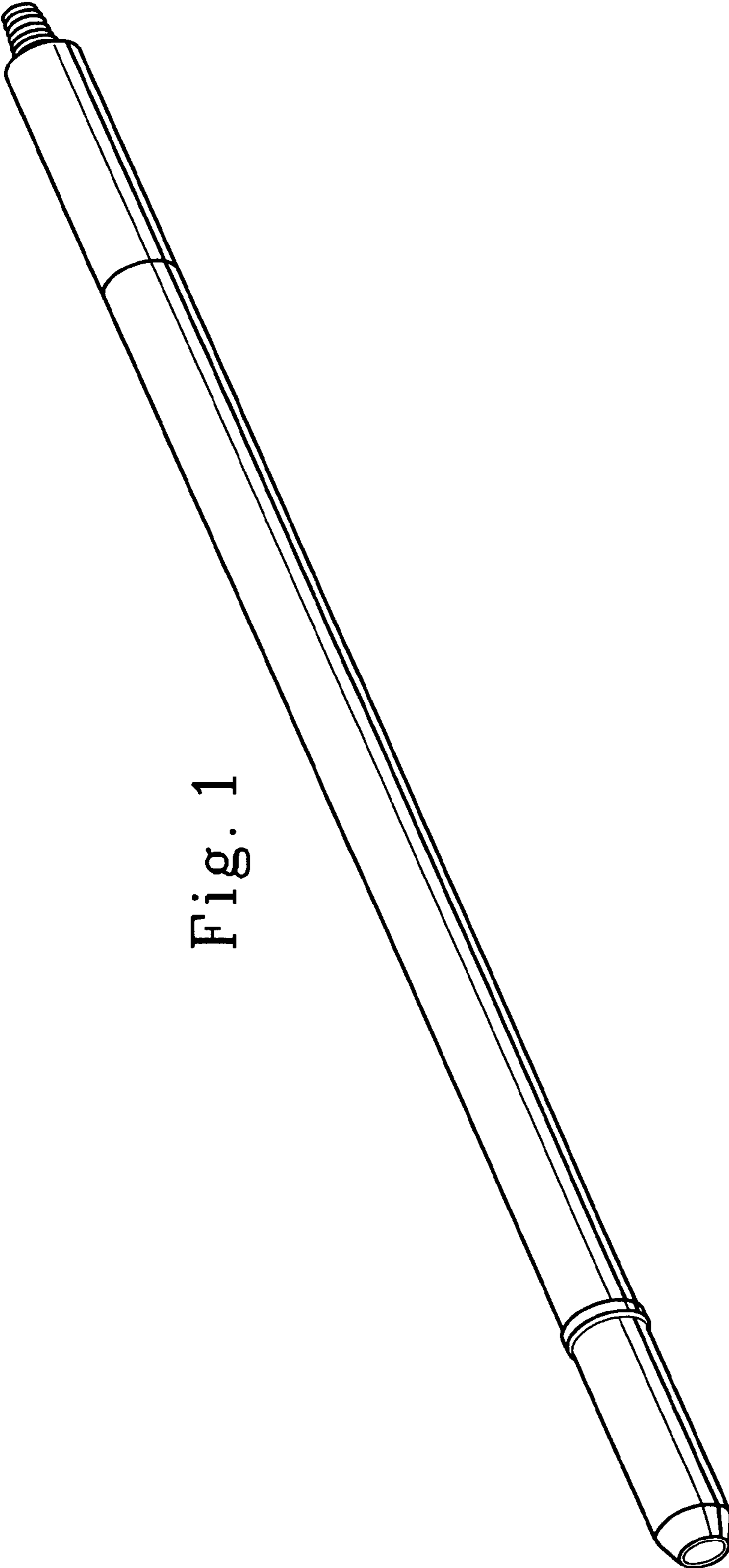


Fig. 1

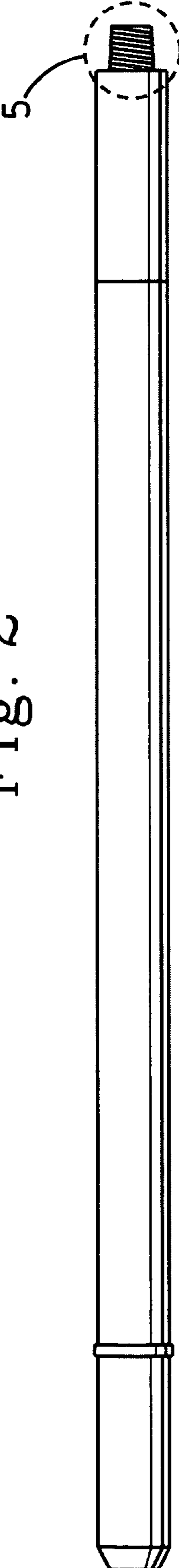


Fig. 2

Fig. 3

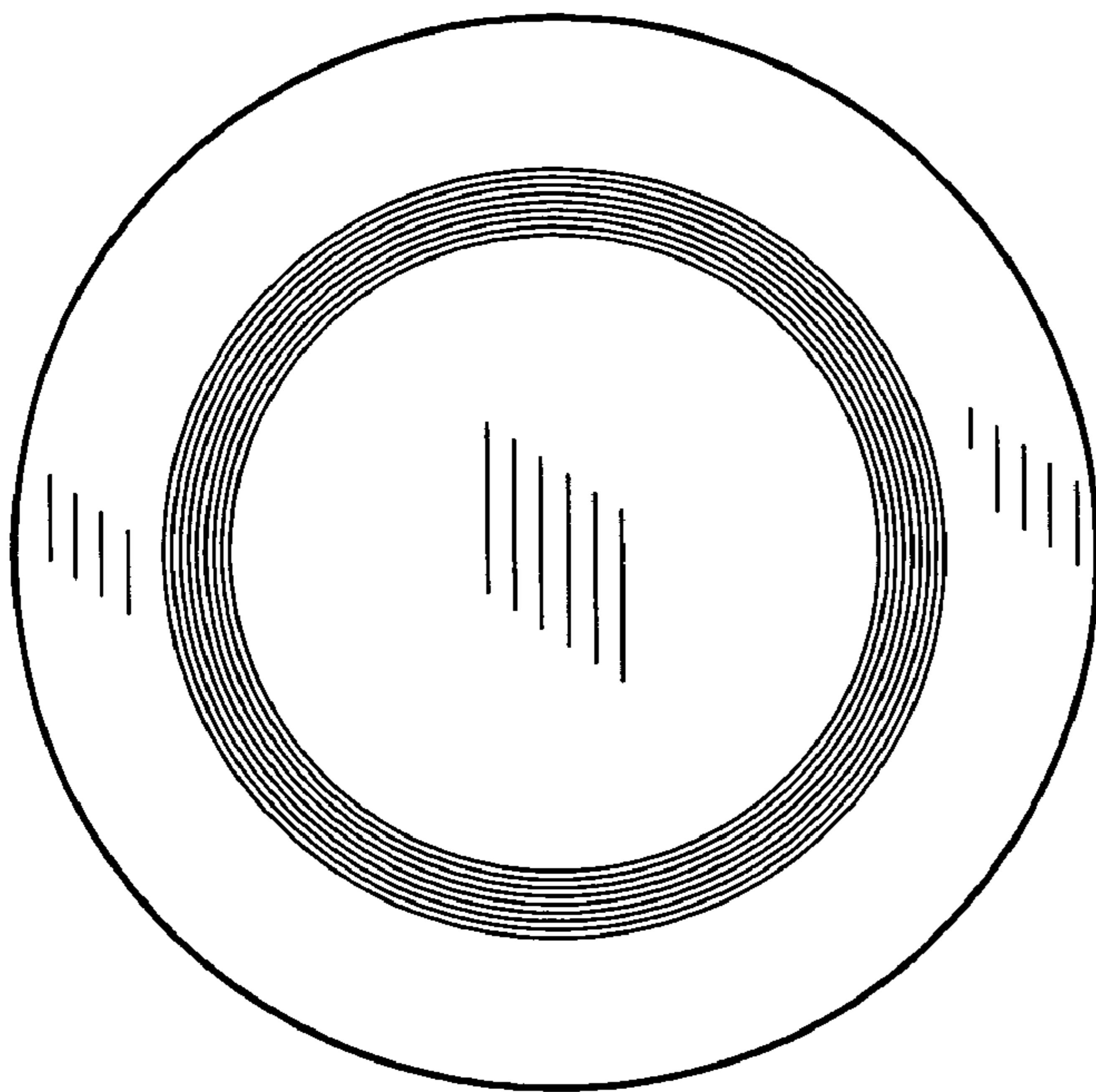
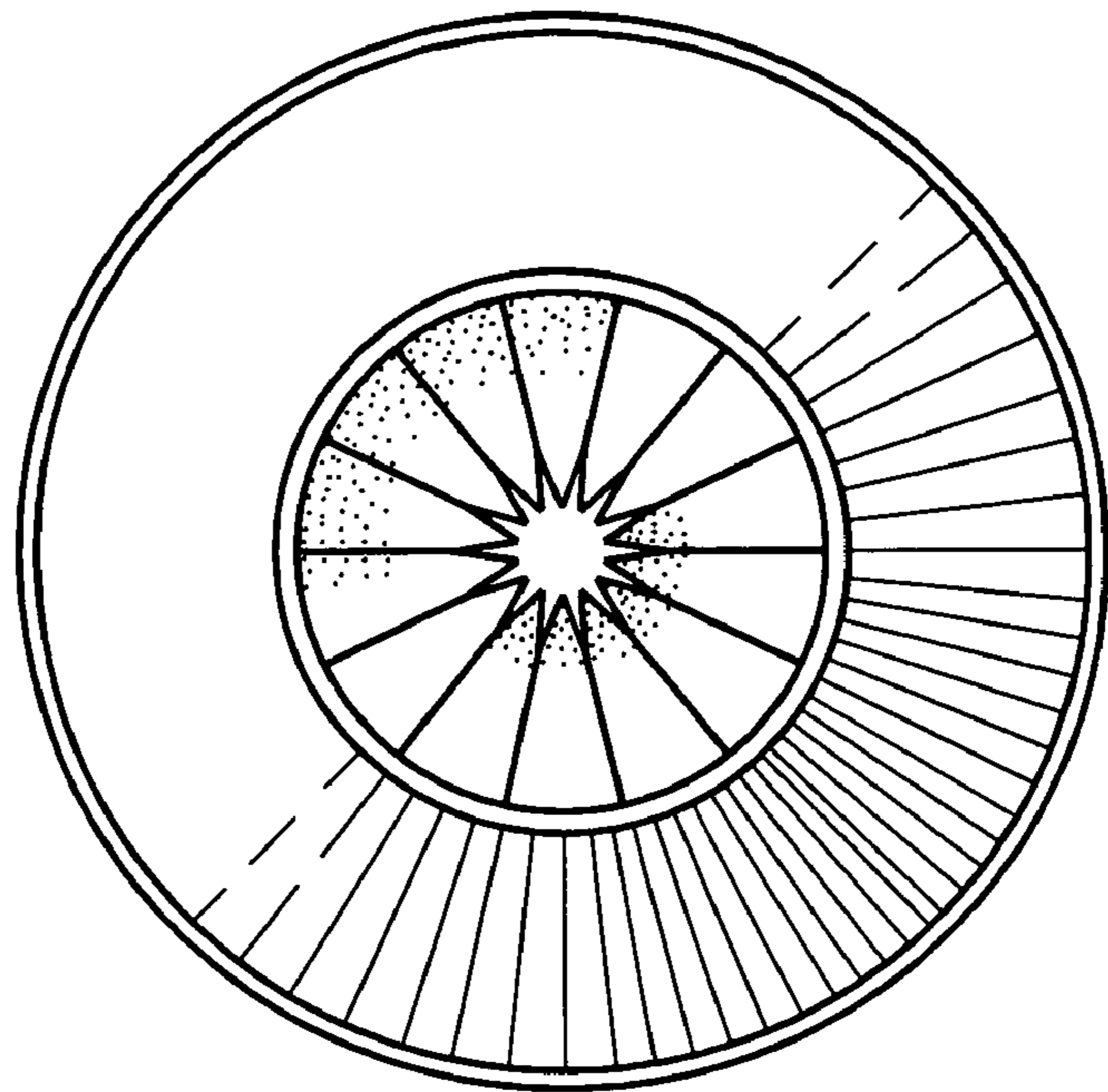


Fig. 4

Fig. 5

