



US00D616313S

(12) **United States Design Patent**
Yu et al.

(10) **Patent No.:** **US D616,313 S**
(45) **Date of Patent:** **** May 25, 2010**

(54) **RADIATION DETECTOR CARDS STAND**

DESCRIPTION

(75) Inventors: **Juhyun Yu**, Mito (JP); **Yoshinori Sunaga**, Hitachinaka (JP); **Hidetaka Kawauchi**, Hitachi (JP)

(73) Assignee: **Hitachi Cable, Ltd.**, Tokyo (JP)

(**) Term: **14 Years**

(21) Appl. No.: **29/351,825**

(22) Filed: **Dec. 11, 2009**

(30) **Foreign Application Priority Data**

Jun. 12, 2009 (JP) 2009-013426

(51) **LOC (9) Cl.** **10-04**

(52) **U.S. Cl.** **D10/47**

(58) **Field of Classification Search** D10/47;
174/16.3; 257/E23.086; 439/159, 487
See application file for complete search history.

(56) **References Cited**

U.S. PATENT DOCUMENTS

5,398,822 A * 3/1995 McCarthy et al. 211/41.17
5,827,585 A * 10/1998 Giannetti 174/392
6,942,506 B2 * 9/2005 Kimura et al. 257/E23.086

* cited by examiner

Primary Examiner—Antoine D Davis

(74) *Attorney, Agent, or Firm*—McCarter & English, LLP

(57) **CLAIM**

The ornamental design for a radiation detector cards stand, as shown and described.

FIG. 1 is a perspective view of a first embodiment of the radiation detector cards stand showing our new design;

FIG. 2 is a front elevation view of the stand of FIG. 1, the rear being identical to the front;

FIG. 3 is a rear elevation view of the stand of FIG. 1;

FIG. 4 is a top plan view of the stand of FIG. 1;

FIG. 5 is a bottom plan view of the stand of FIG. 1;

FIG. 6 is a left side elevation view of the stand of FIG. 1;

FIG. 7 is a right side elevation view of the stand of FIG. 1;

FIG. 8 is a perspective view showing the radiation detector cards stand of FIG. 1 in use with radiation detector cards being stocked into it, the detector cards not forming part of the claimed design.

FIG. 9 is a perspective view of a second embodiment of the radiation detector cards stand showing our new design;

FIG. 10 is a front elevation view of the stand of FIG. 9, the rear being identical to the front;

FIG. 11 is a rear elevation view of the stand of FIG. 9;

FIG. 12 is a top plan view of the stand of FIG. 9;

FIG. 13 is a bottom plan view of the stand of FIG. 9;

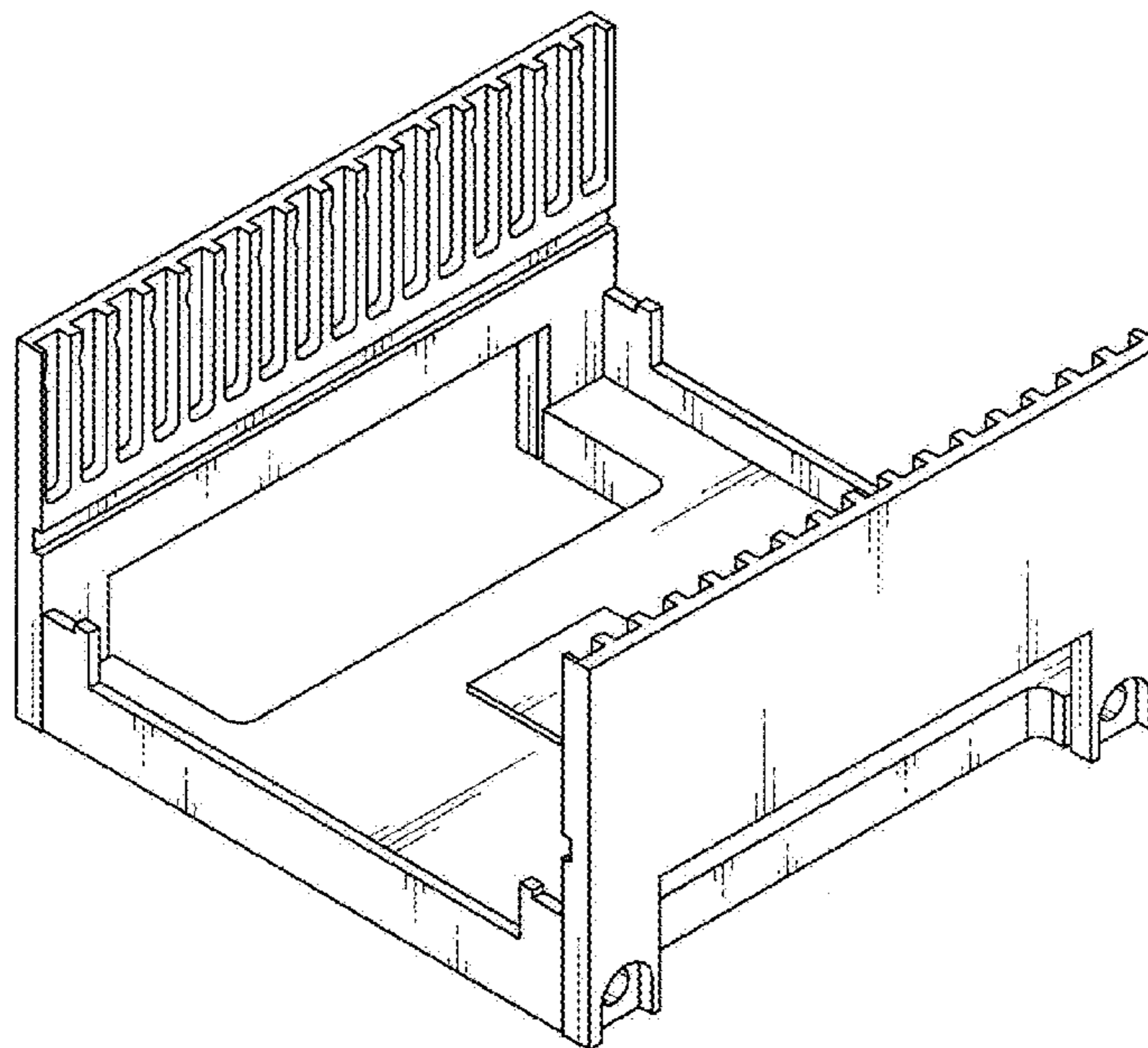
FIG. 14 is a left side elevation view of the stand of FIG. 9;

FIG. 15 is a right side elevation view of the stand of FIG. 9; and,

FIG. 16 is a perspective view showing the radiation detector cards stand of FIG. 9 in use with radiation detector cards being stocked into it, the detector cards not forming part of the claimed design.

The broken lines shown in the drawing figures are for illustrative purposes only and form no part of the claimed design.

1 Claim, 10 Drawing Sheets



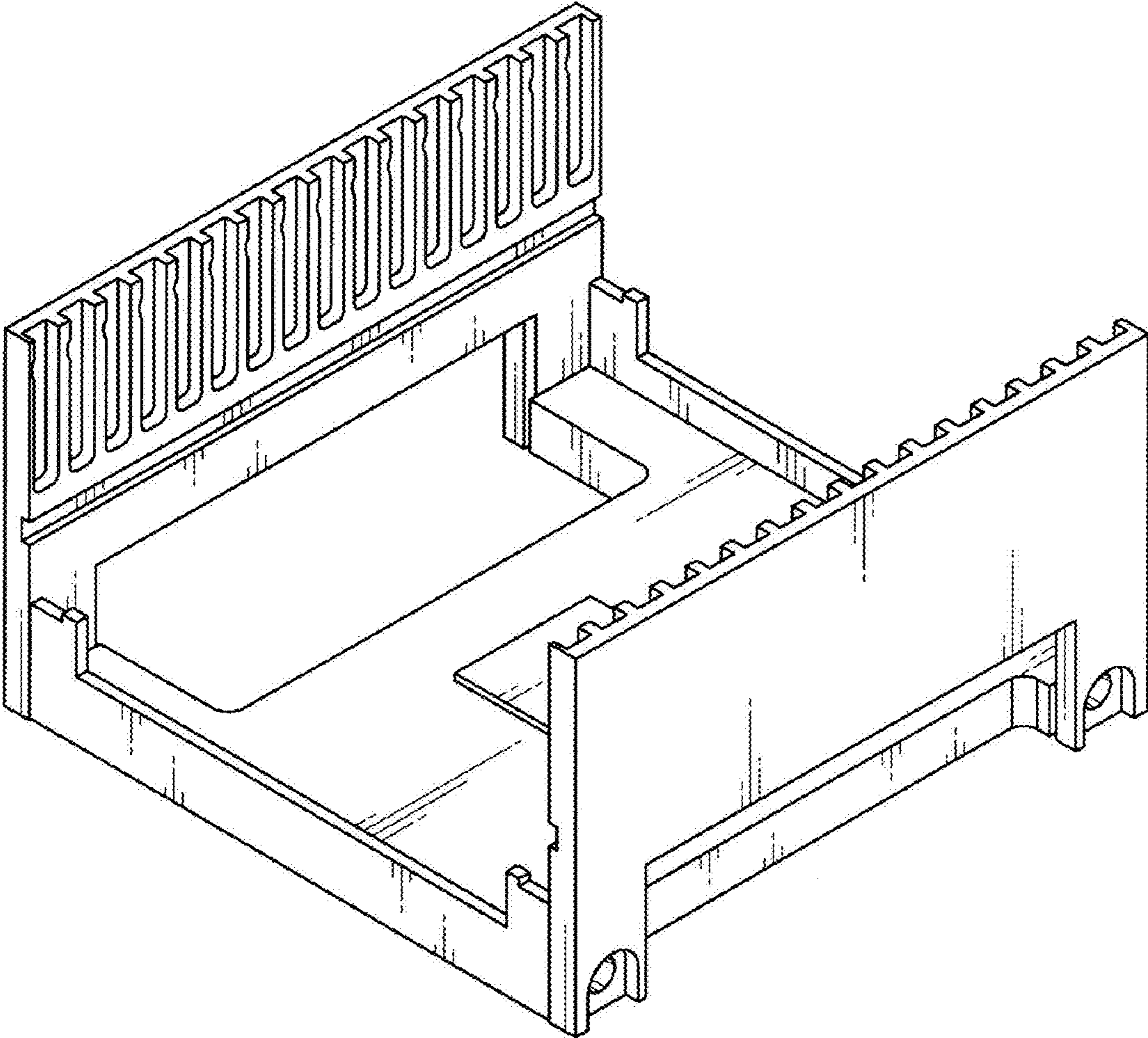


FIG. 1

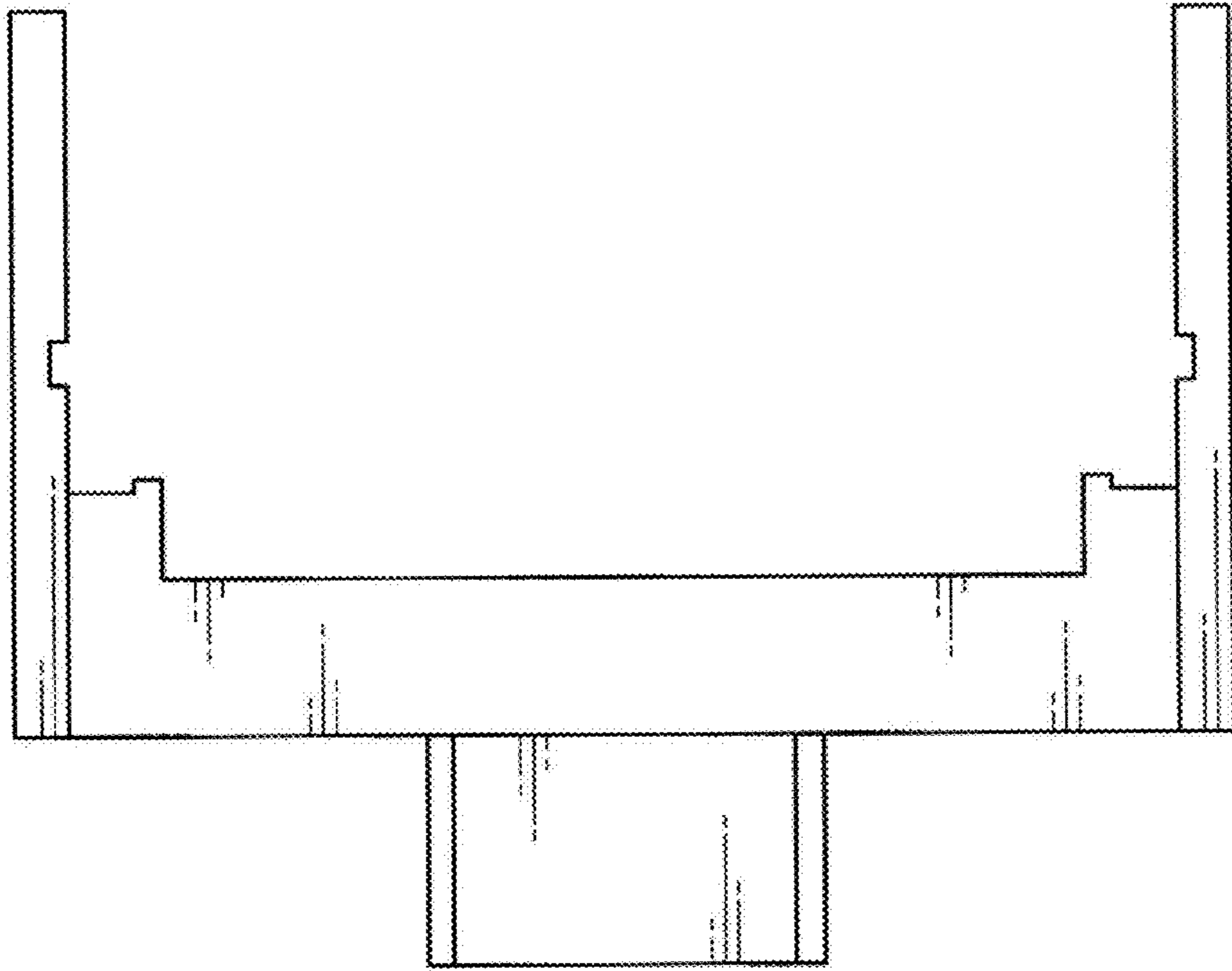


FIG. 2

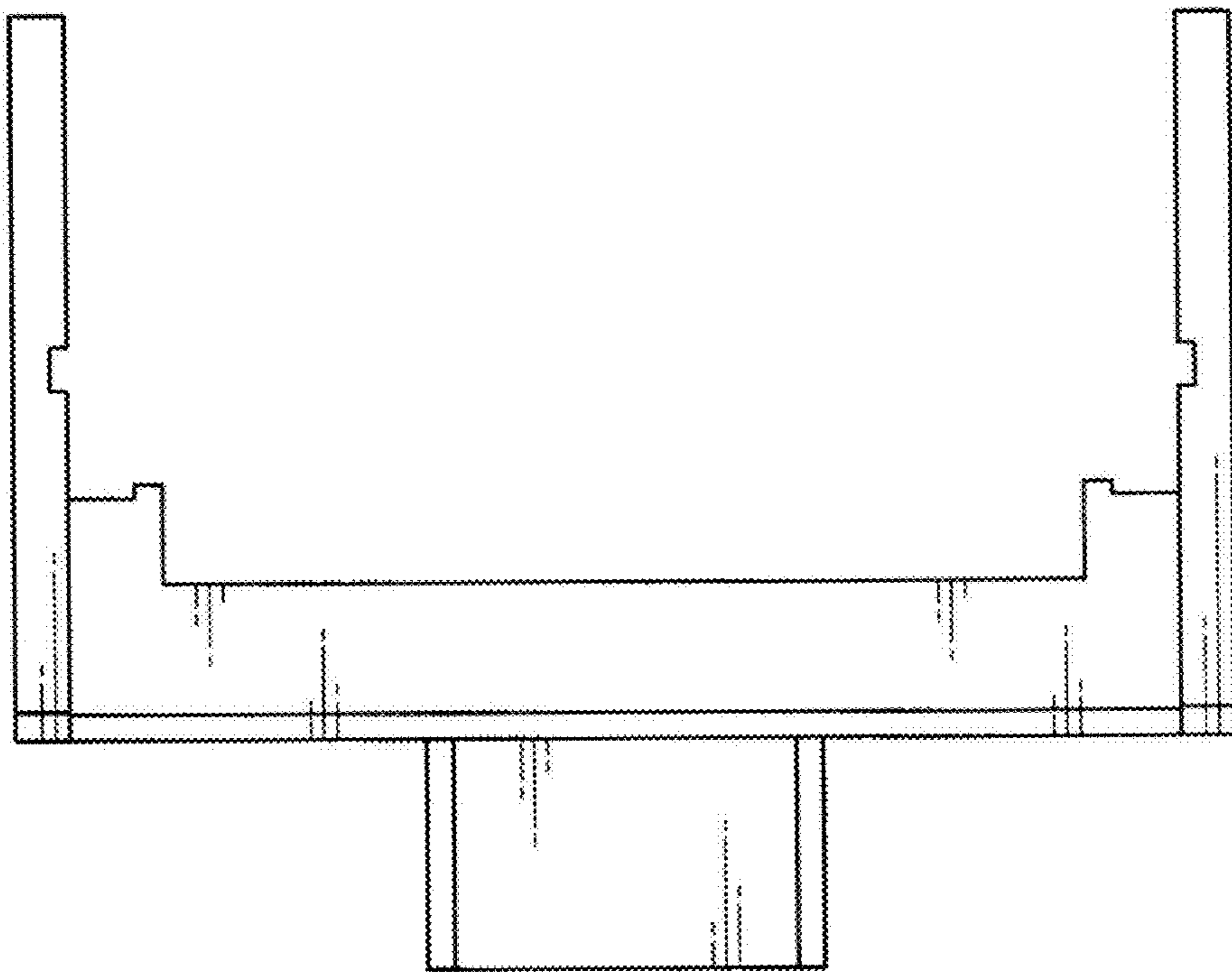


FIG. 3

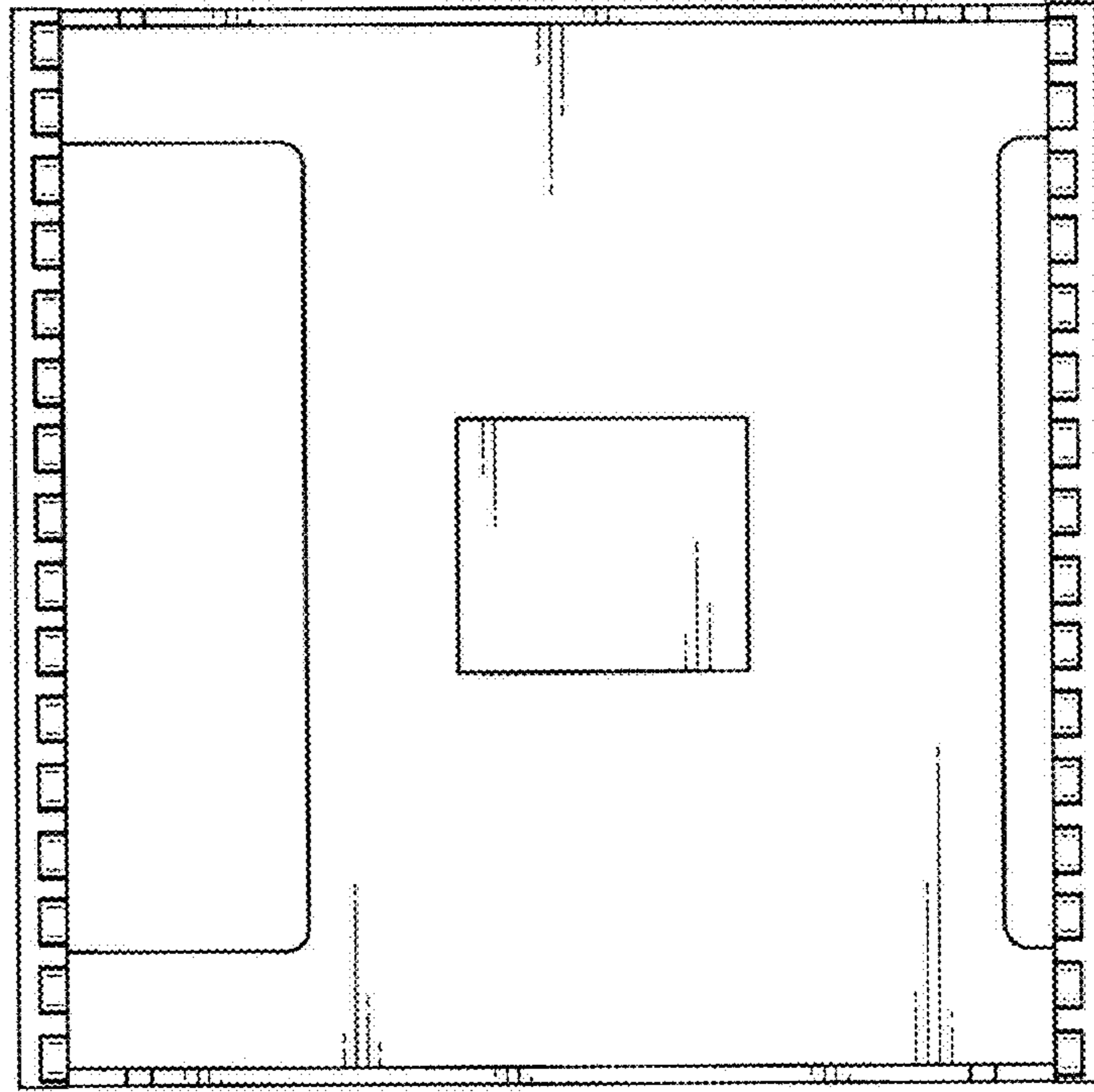


FIG. 4

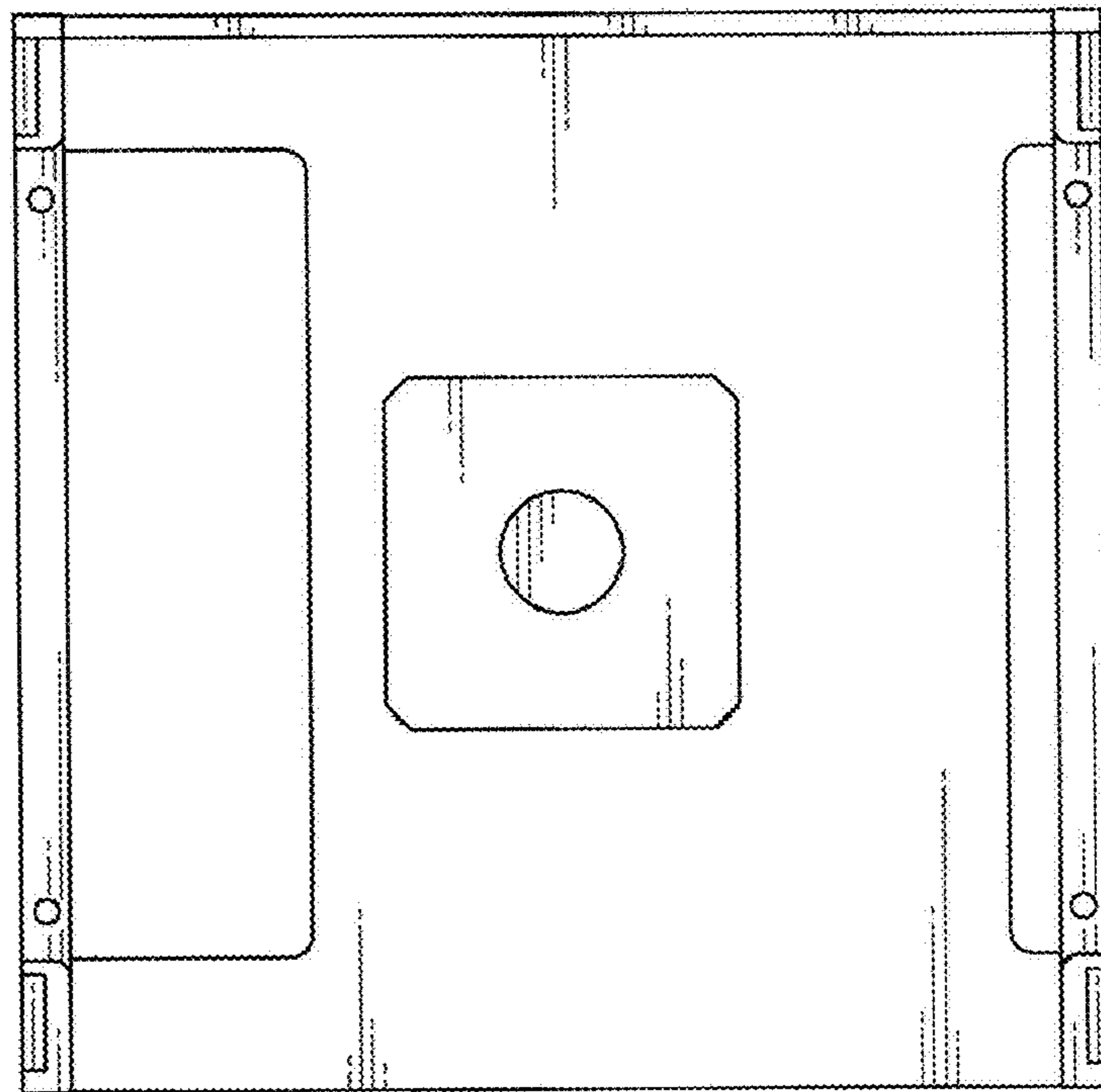


FIG. 5

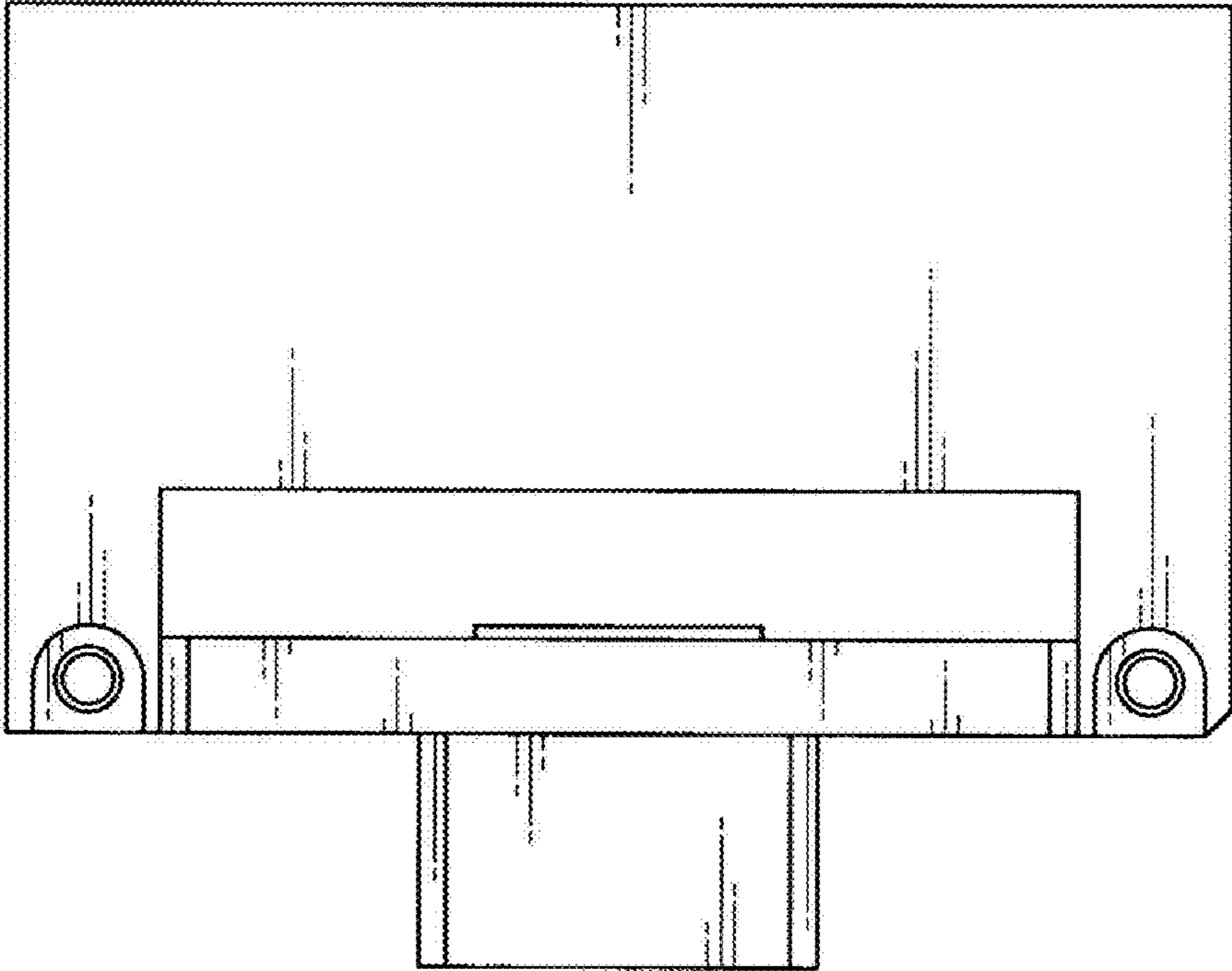


FIG. 6

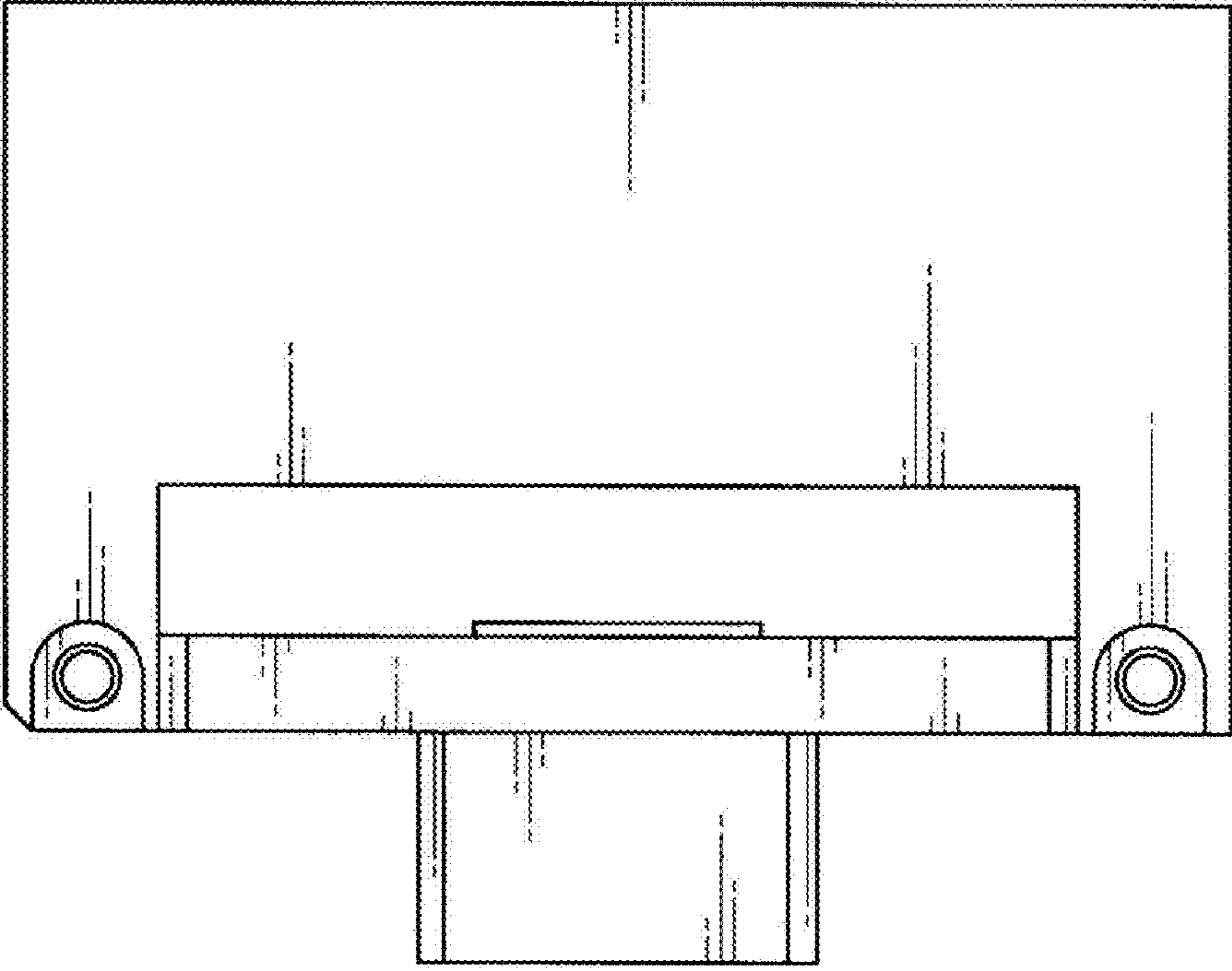


FIG. 7

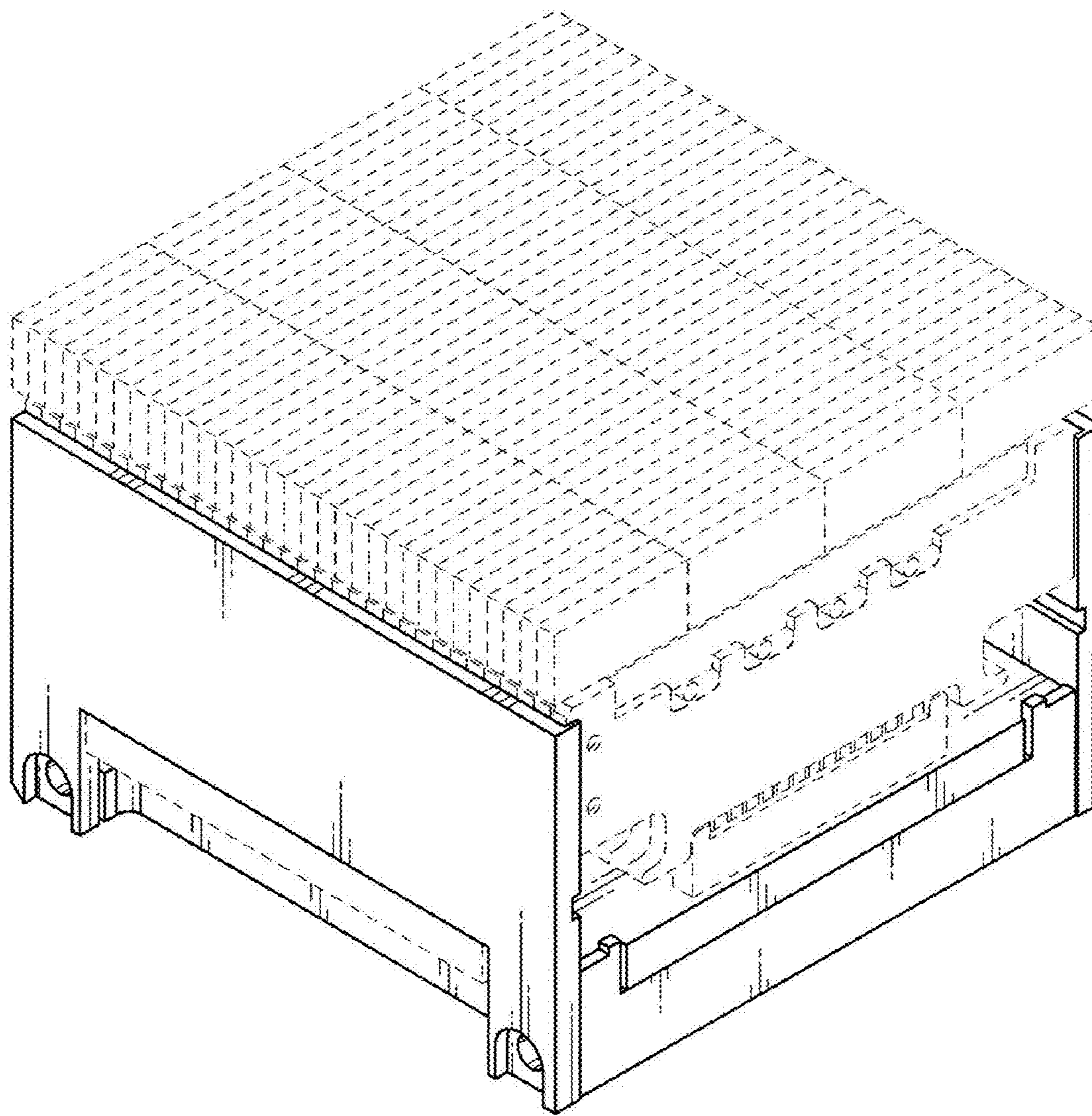


FIG. 8

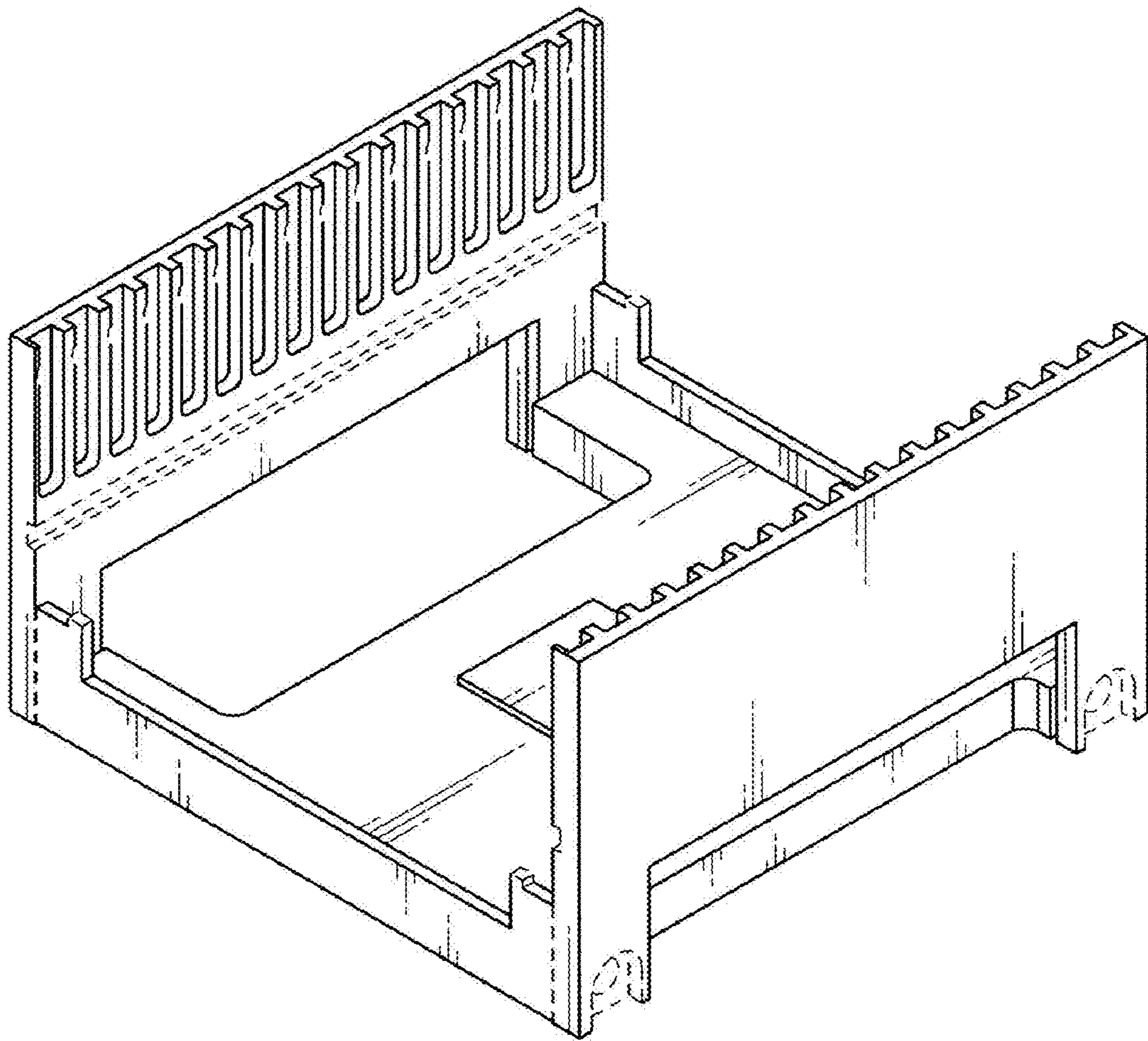


FIG. 9

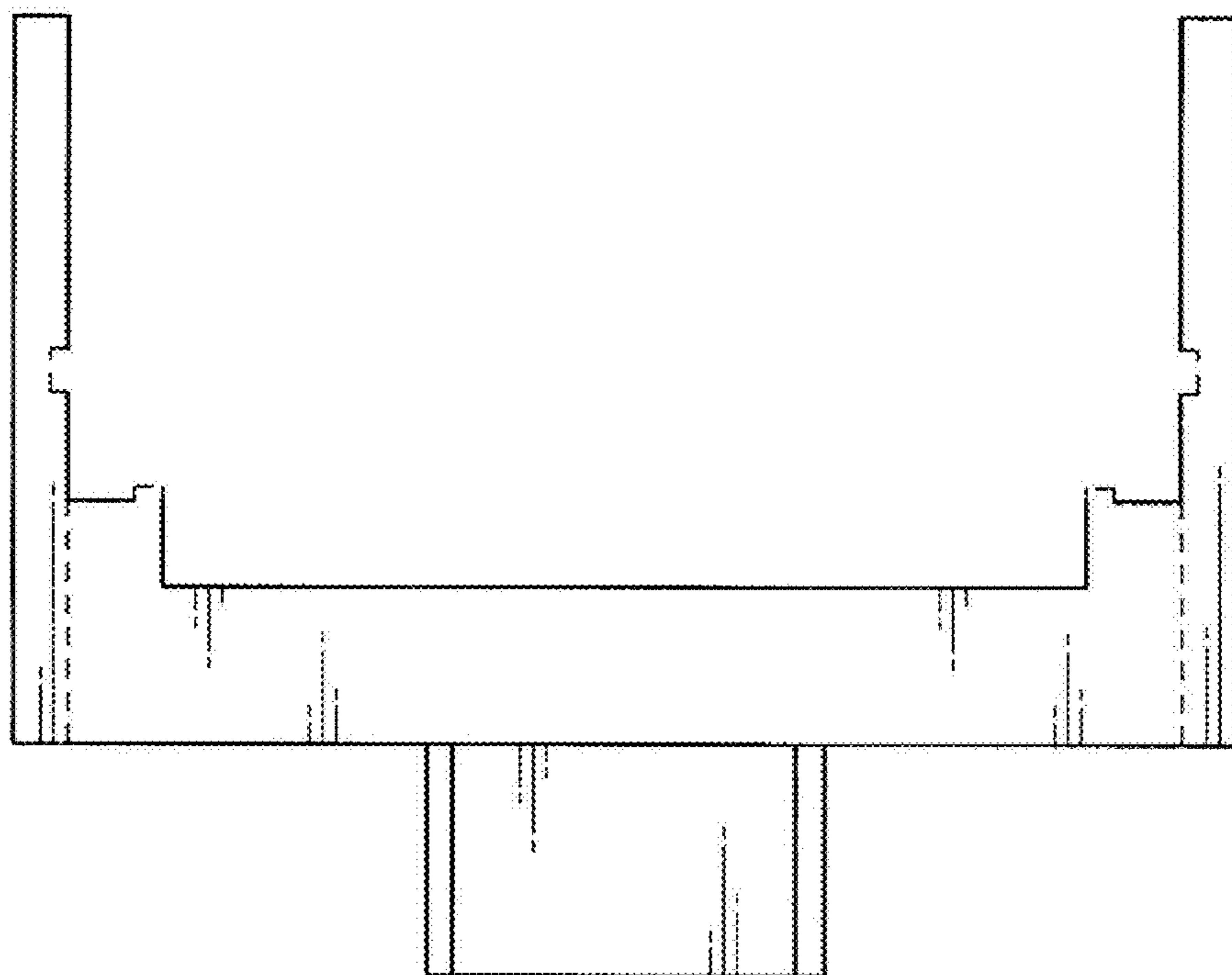


FIG. 10

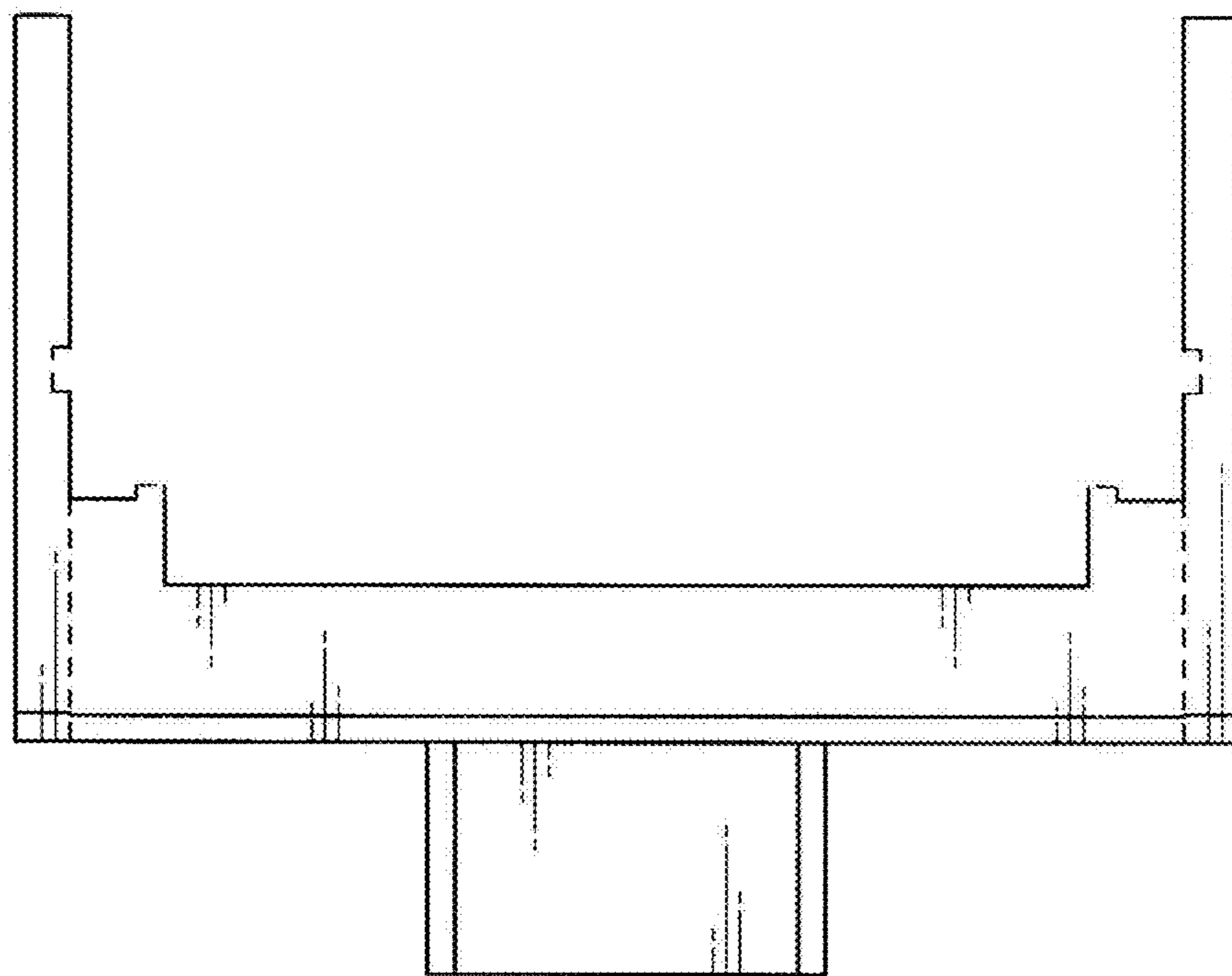


FIG. 11

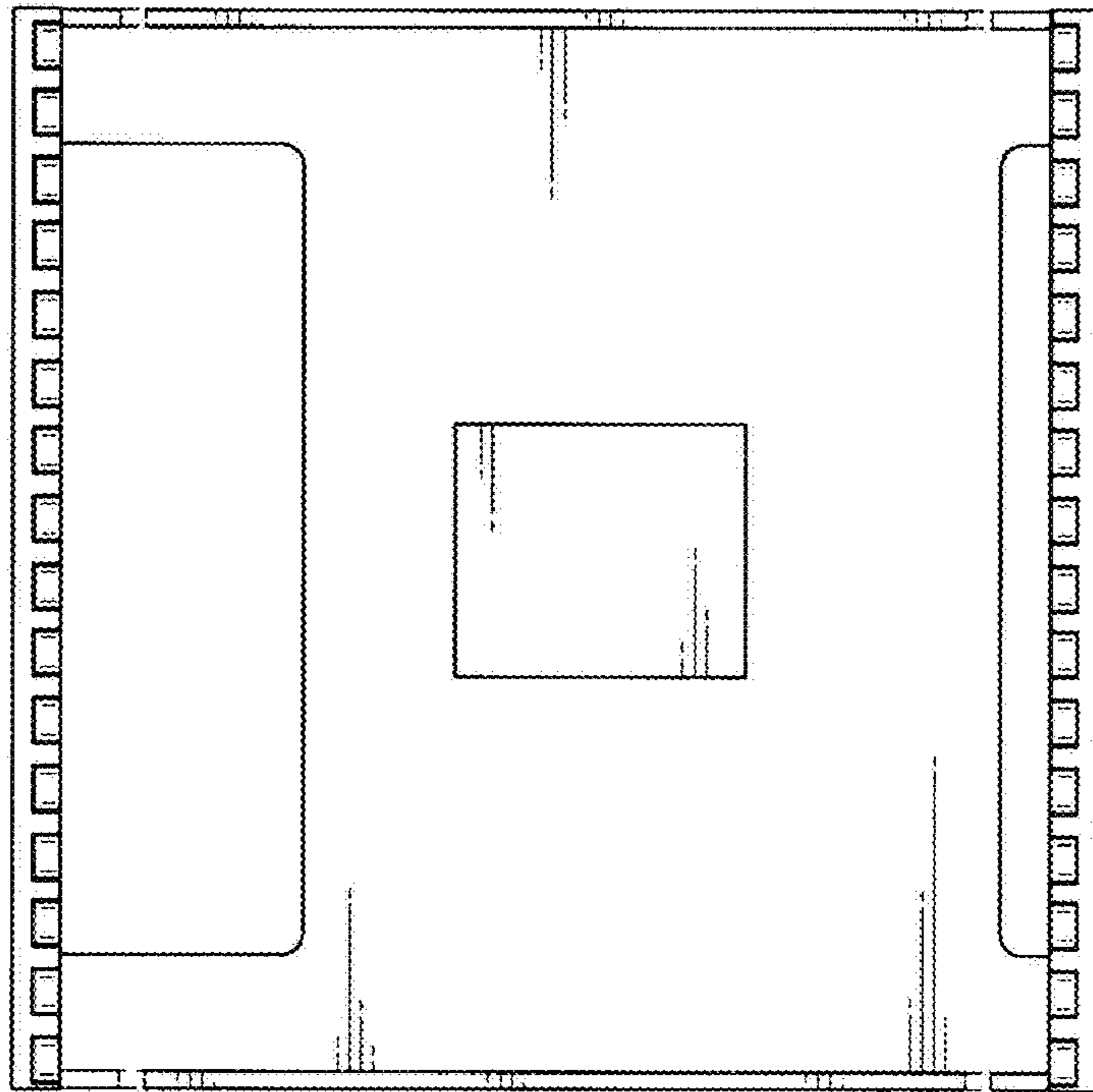


FIG. 12

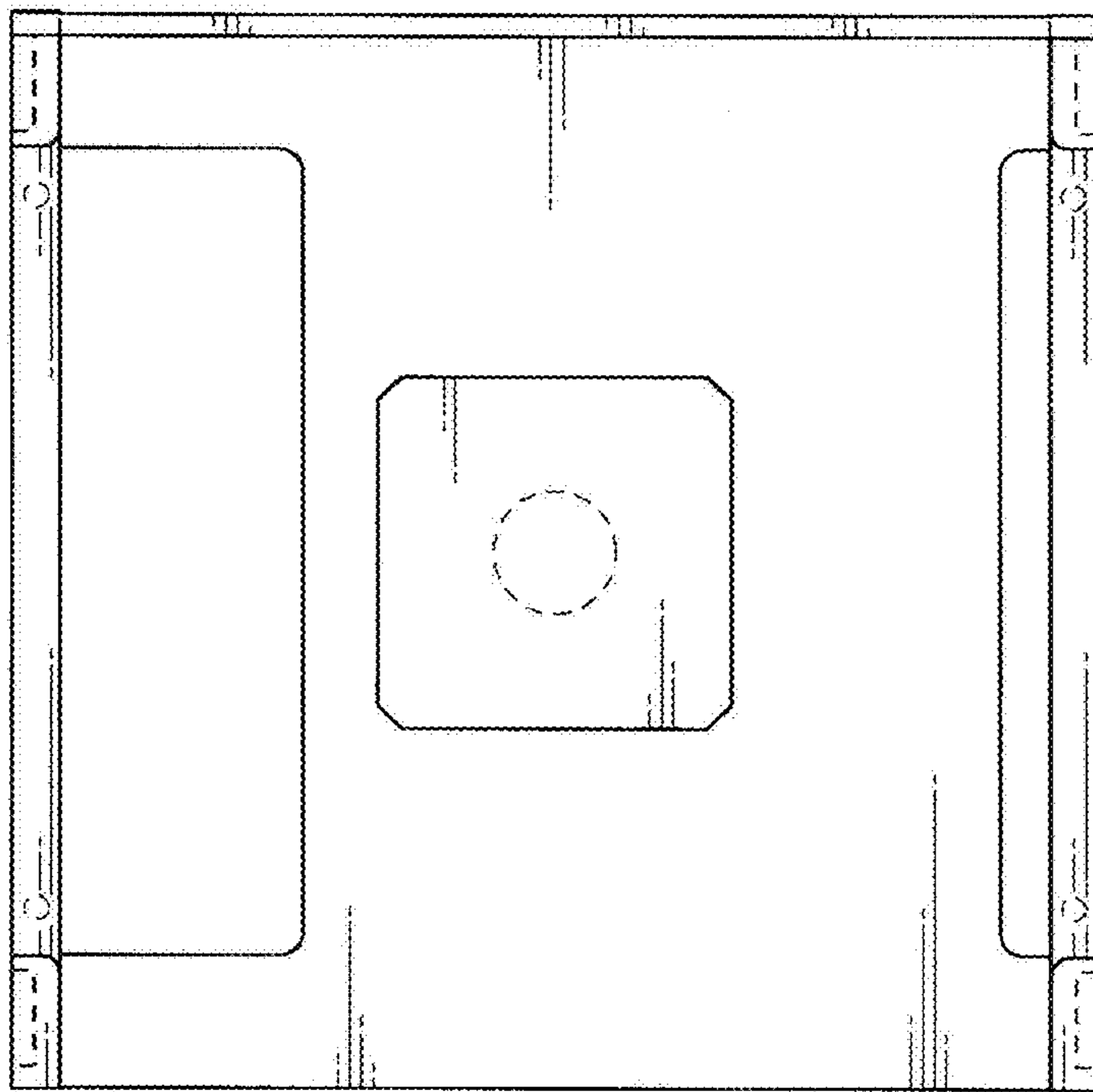


FIG. 13

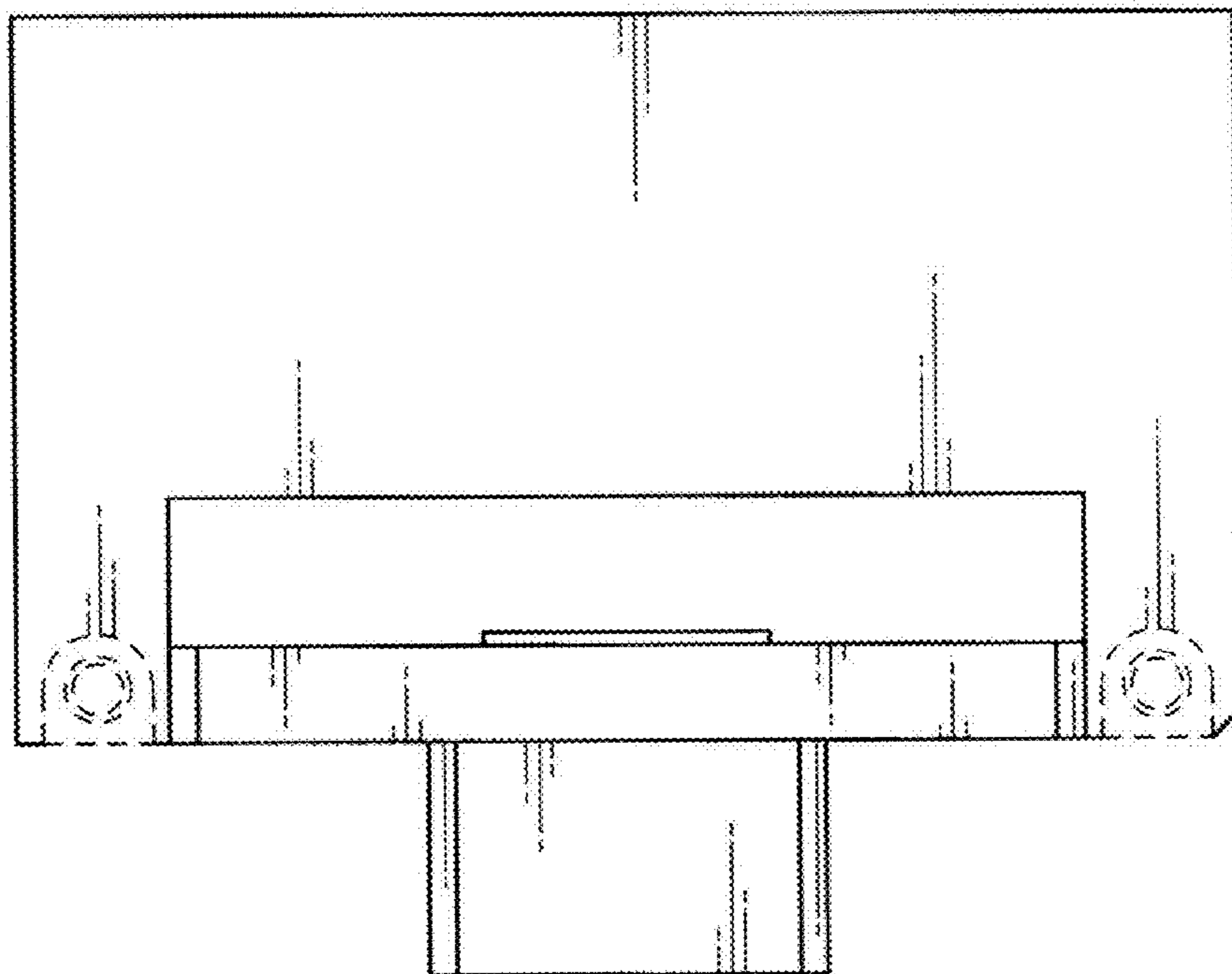


FIG. 14

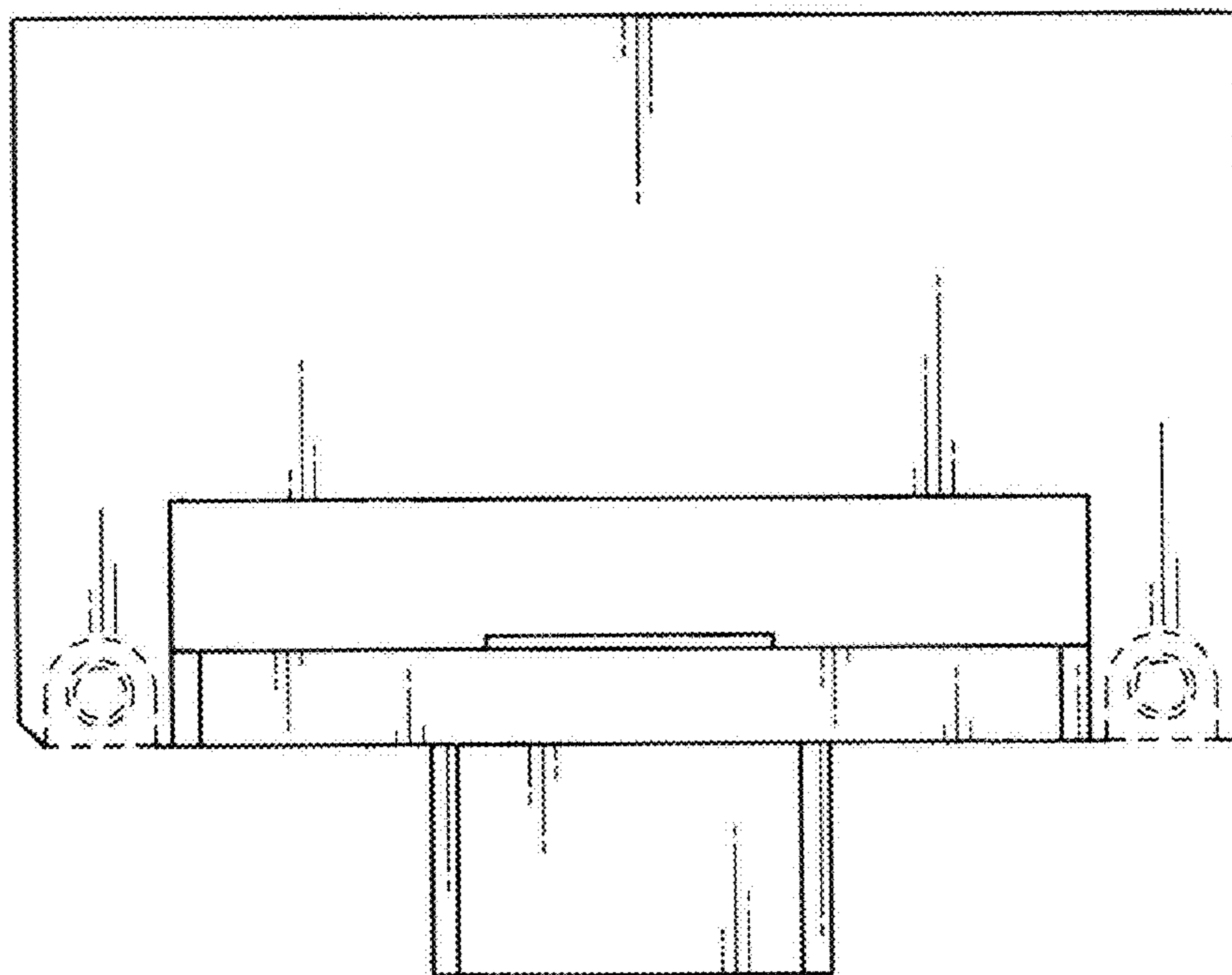


FIG. 15

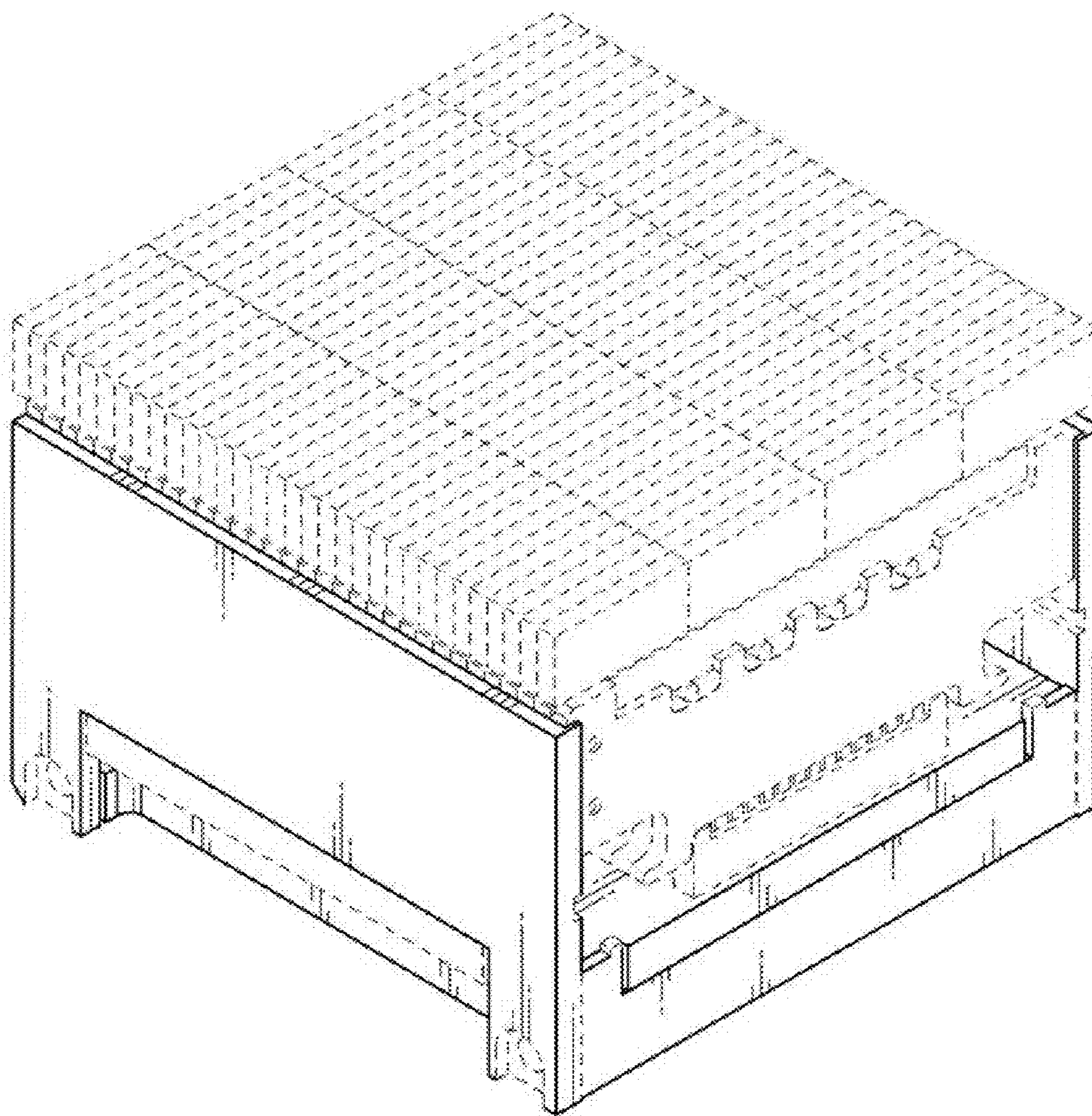


FIG. 16