



US00D616300S

(12) **United States Design Patent**
Shaikh

(10) **Patent No.:** **US D616,300 S**
(45) **Date of Patent:** **** May 25, 2010**

(54) **CARTON**
(75) Inventor: **Mahmood A. Shaikh**, Cincinnati, OH
(US)
(73) Assignee: **The Procter & Gamble Company**,
Cincinnati, OH (US)
(**) Term: **14 Years**
(21) Appl. No.: **29/346,193**
(22) Filed: **Oct. 28, 2009**

3,450,331 A 6/1969 Tapiovaara
3,549,081 A 12/1970 Nelson
3,668,776 A 6/1972 Patterson
3,768,720 A 10/1973 Bundy
3,773,246 A 11/1973 Tyrseck
3,799,425 A 3/1974 Fanter
3,866,819 A * 2/1975 Goebel 229/120
3,977,594 A 8/1976 Swan
3,985,285 A 10/1976 Kitagawa
4,172,549 A 10/1979 Yoshida
4,199,098 A 4/1980 Lopez
4,201,331 A 5/1980 Austin
D255,778 S 7/1980 Albert

(51) **LOC (9) Cl.** **09-03**
(52) **U.S. Cl.** **D9/430**
(58) **Field of Classification Search** D9/430-433,
D9/414, 418, 420-424; D3/272; 206/267,
206/269, 270, 273, 299, 737, 740, 822; 229/100,
229/101, 101.3, 106, 108-112, 114-117,
229/117.05-117.09, 117.24-117.26, 221,
229/222, 227, 902, 939, 941, 942
See application file for complete search history.

(Continued)

FOREIGN PATENT DOCUMENTS

JP 2006289028 A2 10/2006

Primary Examiner—Robert M Spear
Assistant Examiner—Karen Acker
(74) *Attorney, Agent, or Firm*—Peter D. Meyer

(56) **References Cited**

U.S. PATENT DOCUMENTS

727,723 A 5/1903 Webb
924,681 A 6/1909 Ludescher
2,047,804 A 7/1936 Shapiro
2,050,894 A * 8/1936 Paige 229/116.1
2,067,998 A * 1/1937 Williamson 229/116.1
2,077,173 A 4/1937 Holy
2,091,291 A 8/1937 Ringler
2,123,147 A * 7/1938 Snyder 229/110
D112,661 S 8/1938 Lewis
2,160,488 A 5/1939 Ringler
2,450,364 A 9/1948 Smith
D170,794 S 11/1953 Kolb
2,828,904 A 1/1958 Mires
D194,246 S * 12/1962 Engelmann D9/420
3,101,167 A * 8/1963 Styler 229/108.1
3,115,292 A * 12/1963 Repking 229/235
3,174,675 A 3/1965 Rosenberg, Jr.
D202,920 S * 11/1965 Musesing D6/518
3,274,047 A 9/1966 Sloan

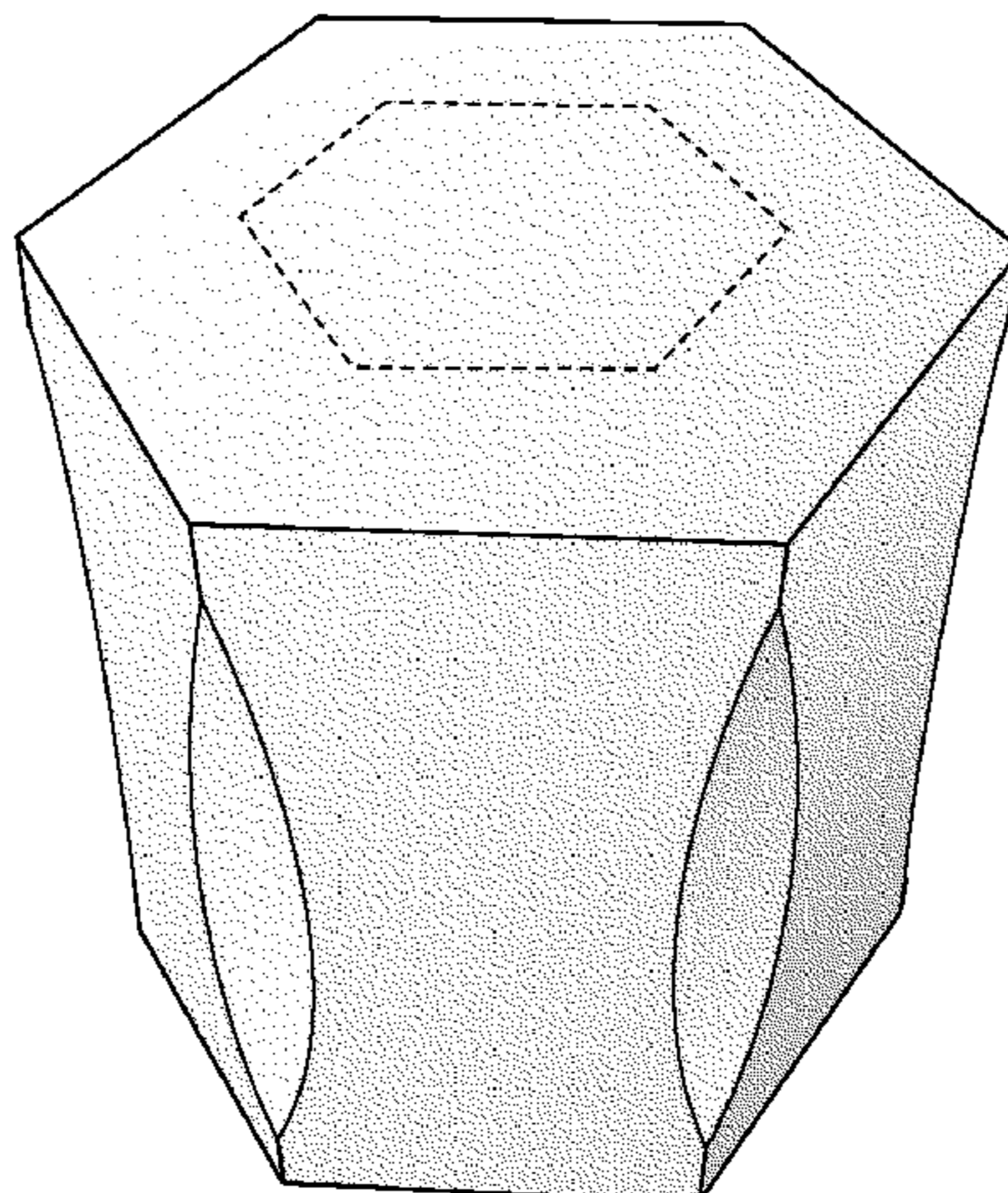
(57) **CLAIM**

The ornamental design for a carton, as shown and described.

DESCRIPTION

FIG. 1 is a perspective view of the carton embodying my new design;
FIG. 2 is a top planar view thereof;
FIG. 3 is a bottom planar view thereof;
FIG. 4 is a front elevational view, the rear elevational view being a mirror image thereof; and,
FIG. 5 is a left side elevational view, the right side elevational view being a mirror image thereof.
The broken lines in the drawings represent unclaimed environmental subject matter.

1 Claim, 3 Drawing Sheets



US D616,300 S

Page 2

U.S. PATENT DOCUMENTS

4,260,100 A	4/1981	Hoffman		6,079,556 A *	6/2000	Draghetti et al.	206/268
4,313,556 A *	2/1982	Boyle et al.	229/116.1	D442,084 S	5/2001	Hoffman et al.	
D263,800 S *	4/1982	Angleman et al.	D9/432	D442,863 S	5/2001	Hoffman et al.	
D270,042 S	8/1983	Fisher		D444,062 S	6/2001	Harrison	
4,418,862 A	12/1983	Vesborg		D460,355 S *	7/2002	Lenz et al.	D9/431
D272,130 S	1/1984	Miyazaki		D464,261 S	10/2002	Hereth	
4,492,723 A	1/1985	Chadwick, II		D468,638 S *	1/2003	Nogami et al.	D9/430
D280,703 S	9/1985	Strobe		D503,827 S *	4/2005	Cahill et al.	D27/189
4,768,701 A	9/1988	Gabbard		D508,649 S	8/2005	Ruiiland et al.	
4,795,082 A	1/1989	Fujihara et al.		D519,832 S *	5/2006	Demathieu et al.	D9/430
4,850,528 A	7/1989	Hanus		D521,373 S *	5/2006	Stanton	D9/430
4,856,706 A *	8/1989	Van Der Straten	229/110	D521,376 S *	5/2006	Mosto	D9/430
4,930,680 A	6/1990	Hanus		D549,576 S	8/2007	Gray et al.	
5,259,550 A *	11/1993	Kuchenbecker	229/109	D553,496 S *	10/2007	Martuch et al.	D9/432
5,393,579 A	2/1995	Witte		D562,129 S *	2/2008	Kortsmmit et al.	D9/430
D362,619 S	9/1995	Haas		D582,266 S *	12/2008	Helms et al.	D9/430
5,531,375 A	7/1996	Palm		D588,453 S	3/2009	Glade	
5,558,272 A	9/1996	Magister		D601,016 S *	9/2009	Kalberer	D9/432
5,609,269 A	3/1997	Behnke et al.		D602,631 S *	10/2009	Steinkamp	D27/189
D380,154 S	6/1997	Ryan		2002/0170950 A1	11/2002	Escamila	
5,676,306 A	10/1997	Lankin et al.		2003/0111521 A1 *	6/2003	Holmes	229/117
D387,984 S	12/1997	Magister		2003/0116612 A1 *	6/2003	Polloni et al.	229/109
D394,385 S *	5/1998	Laughlin	D9/431	2004/0035723 A1 *	2/2004	Franchini et al.	206/261
D402,197 S	12/1998	Poulin		2006/0124709 A1 *	6/2006	Hengami	229/110
D406,058 S	2/1999	Allmon		2006/0278688 A1 *	12/2006	Learn	229/116.1
D410,196 S	5/1999	Berg		2008/0223912 A1 *	9/2008	Ayats Ardite et al.	229/141
				2009/0140034 A1	6/2009	Langendoen et al.	

* cited by examiner

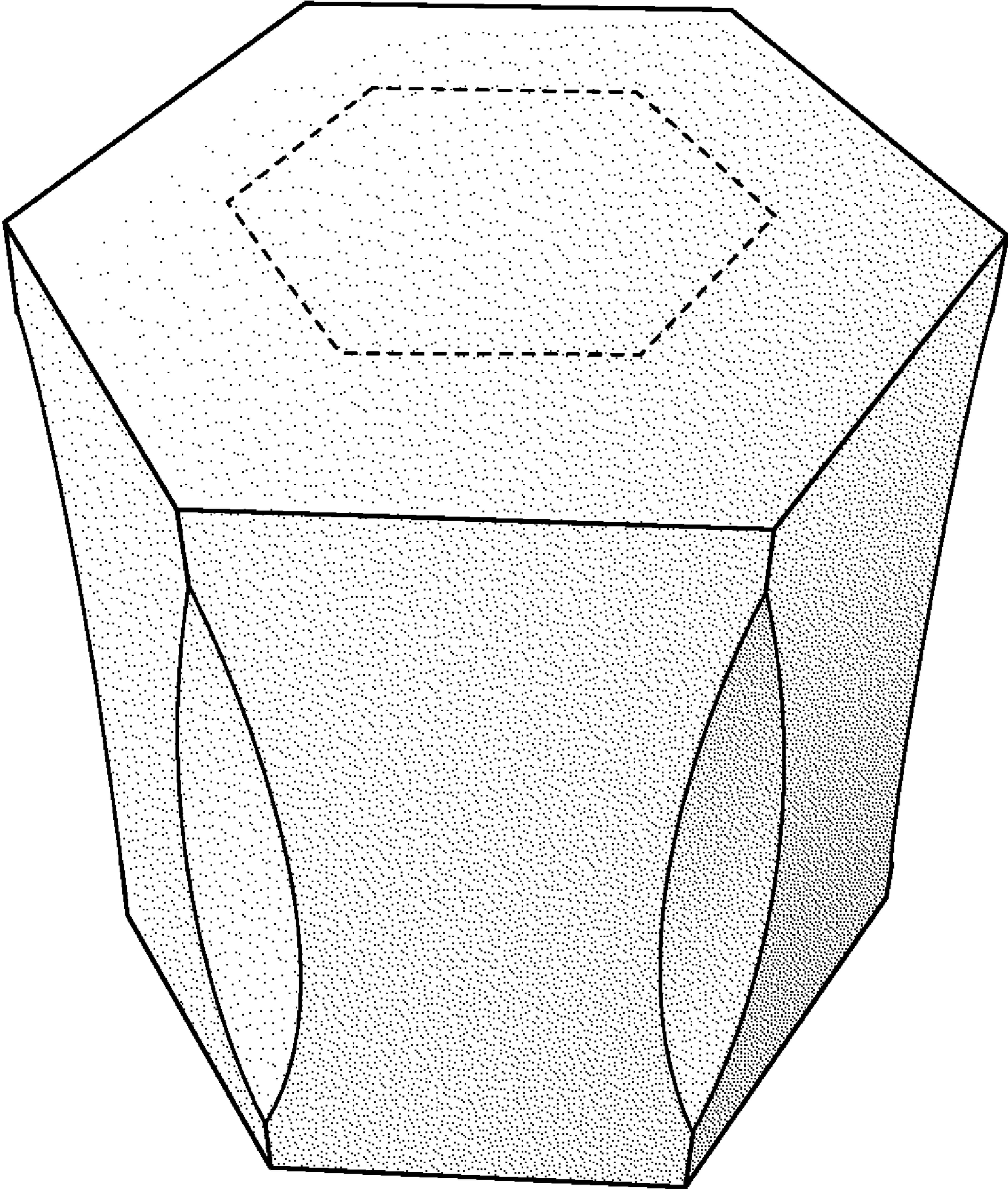


Fig. 1

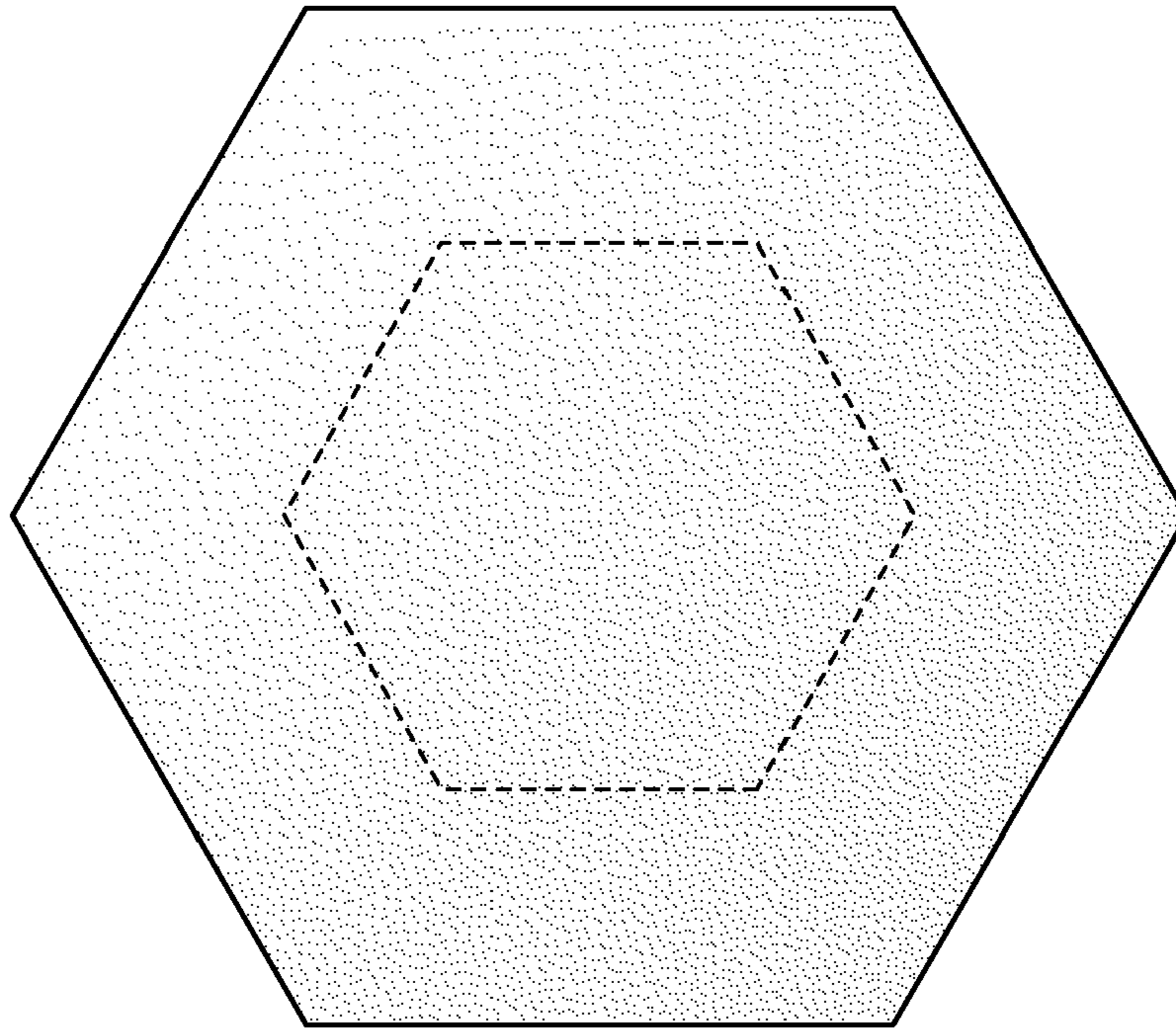


Fig. 2

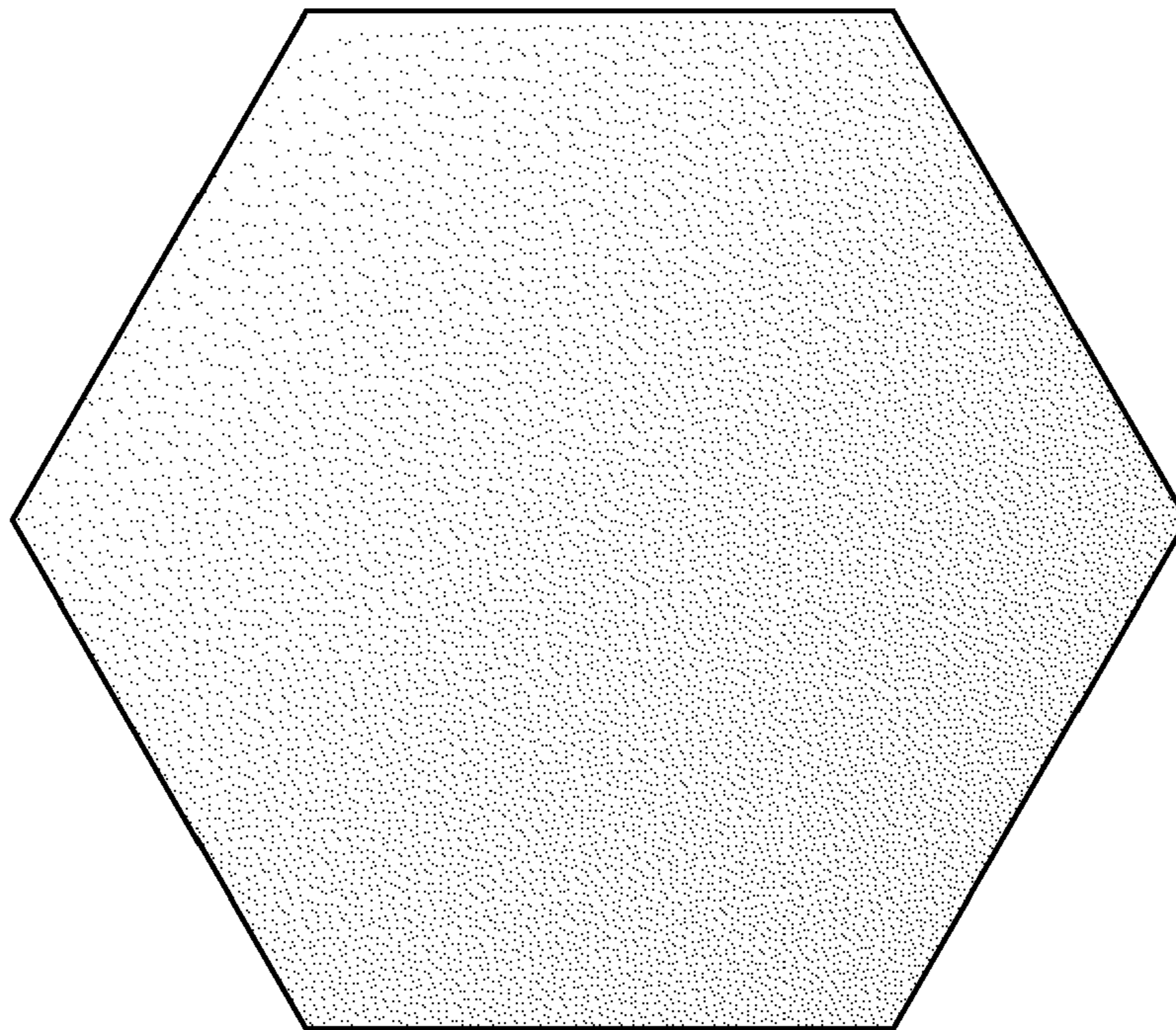


Fig. 3

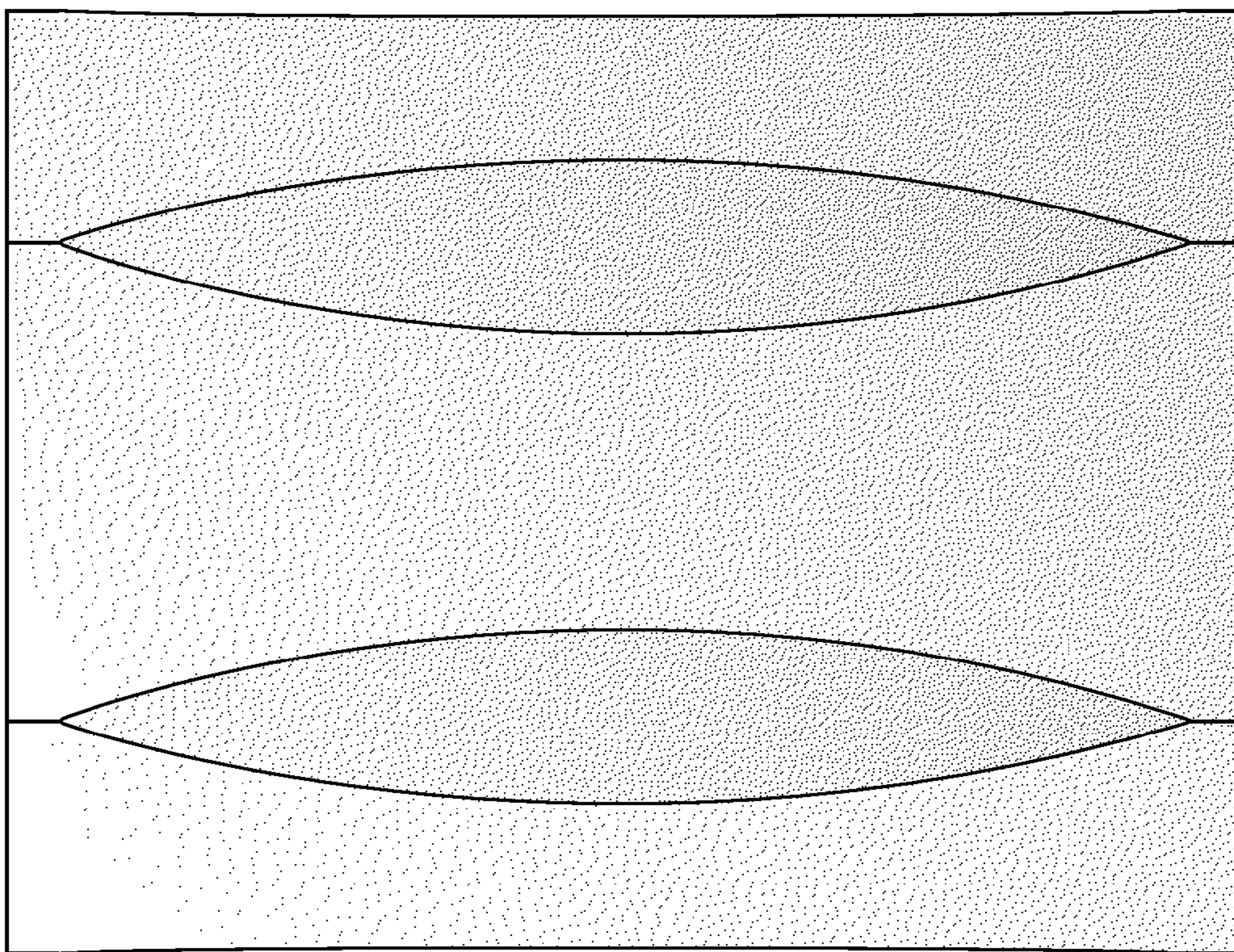


Fig. 5

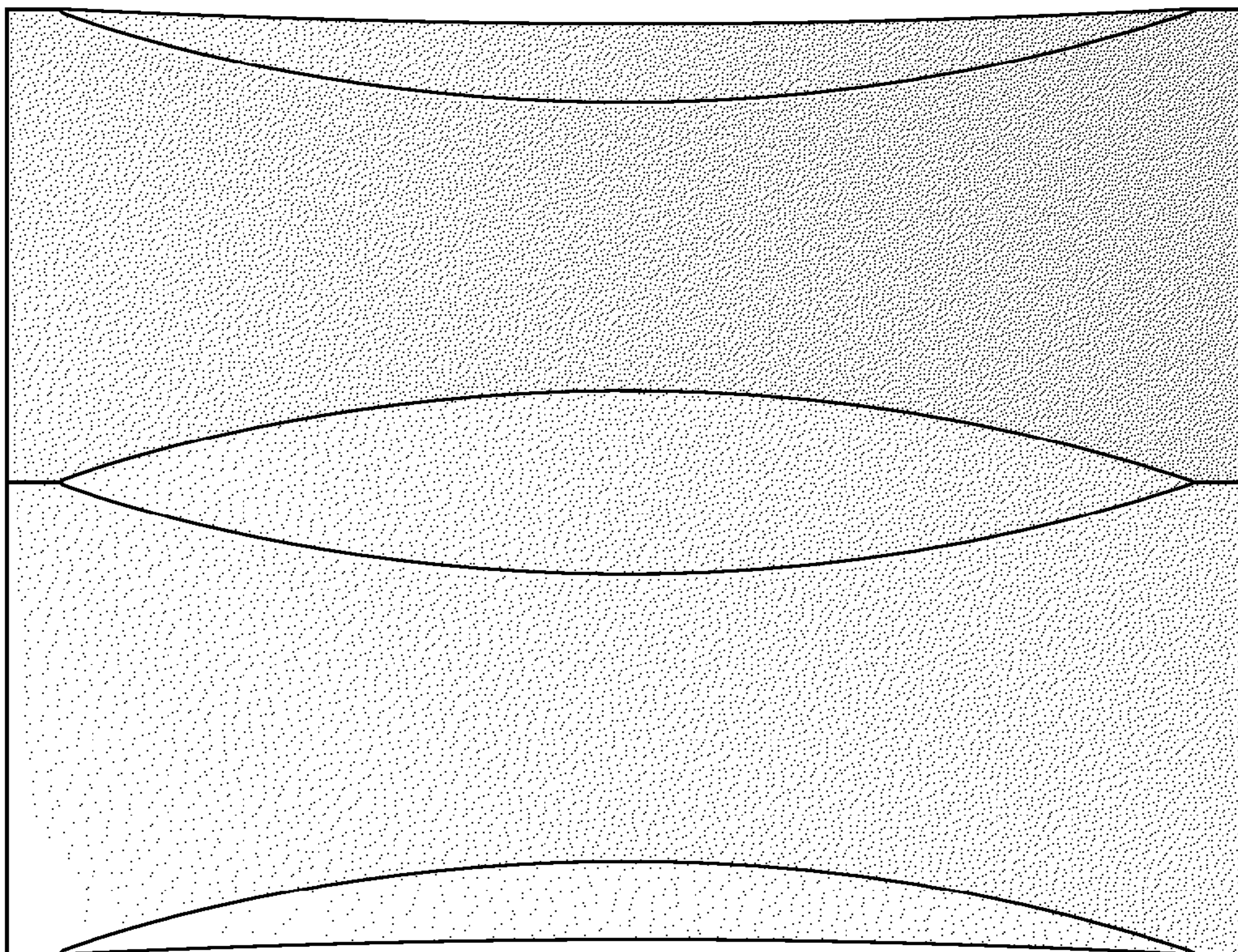


Fig. 4