



US00D616295S

(12) **United States Design Patent**  
**Britt et al.**

(10) **Patent No.:** **US D616,295 S**

(45) **Date of Patent:** **\*\* \*May 25, 2010**

(54) **PACKAGING FOR FRAUD DETECTION IN A PORTABLE DEVICE**

(75) Inventors: **Chris Britt**, San Francisco, CA (US);  
**Erin Pursell**, San Francisco, CA (US);  
**Carrie Vriheas**, San Francisco, CA (US);  
**Karen Hyun**, San Mateo, CA (US)

(73) Assignee: **Visa U.S.A. Inc.**, San Francisco, CA (US)

(\*\*) Term: **14 Years**

(21) Appl. No.: **29/341,910**

(22) Filed: **Aug. 14, 2009**

**Related U.S. Application Data**

(60) Division of application No. 29/280,548, filed on May 31, 2007, now Pat. No. Des. 598,280, which is a continuation-in-part of application No. 11/738,310, filed on Apr. 20, 2007.

(51) **LOC (9) Cl.** ..... **09-03**

(52) **U.S. Cl.** ..... **D9/414; D9/432; D19/9; D3/247**

(58) **Field of Classification Search** ..... D9/700, D9/702, 707-711, 715, 720-722, 414-416, D9/422, 432, 433, 434, 457, 499, 420, 421, D9/423; D19/2, 3, 9-11, 26, 32; D3/208, D3/212, 215, 226, 227, 247, 249, 250, 302, D3/303, 207, 209-211, 248, 251, 252, 253; D14/436; D20/19, 22, 27, 28, 40, 42, 43; D6/407, 626, 632, 633; 206/232, 307, 308.2, 206/312, 719, 720, 530, 440, 449, 459.5, 206/459.1, 461-471, 472-475, 476, 484, 206/494, 39, 39.7, 39.6, 525, 804, 806, 824; 229/68.01, 68.2, 307-316, 81, 924, 926; 235/380-382.5, 486; 283/110-111, 61, 65, 283/904; D11/2, 79-84; 40/661.01, 653, 40/654, 663, 492; 150/147, 149; 281/15.1, 281/27.3, 29

See application file for complete search history.

(56) **References Cited**

**U.S. PATENT DOCUMENTS**

702,100 A 6/1902 Keller  
1,641,110 A \* 8/1927 Wulfing ..... 206/37.8

(Continued)

*Primary Examiner*—Catherine Tuttle

(74) *Attorney, Agent, or Firm*—May M. Mowzoon; Quarles & Brady LLP

(57) **CLAIM**

The ornamental design for a packaging for fraud detection in a portable device, as shown and described.

**DESCRIPTION**

FIG. 1 is a front perspective view showing our new design for a packaging for fraud detection in a portable device, having a hinge about which a portable device can be pivoted, the view showing the portable device having been pivoted about the hinge so as to be substantially outside of the packaging, where the portable device is shown in broken line and is not part of the design sought to be patented;

FIG. 2 is a left side elevational view of the packaging seen in FIG. 1;

FIG. 3 is a front elevational view of the packaging seen in FIG. 1;

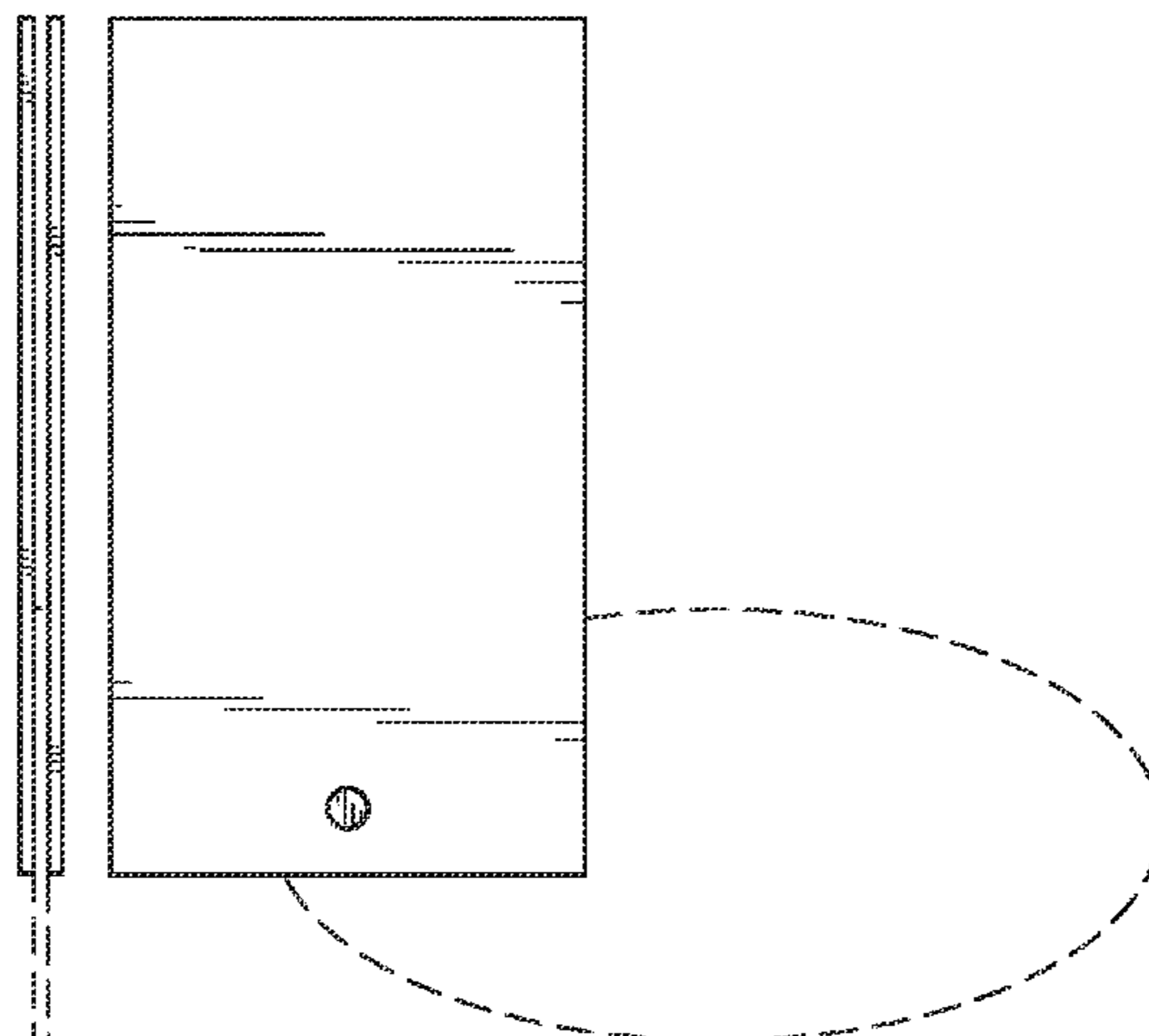
FIG. 4 is a right side elevational view of the packaging seen in FIG. 1;

FIG. 5 is a rear elevational view of the packaging seen in FIG. 1;

FIG. 6 is a top plan view of the packaging seen in FIG. 1; and, FIG. 7 is a bottom plan view of the packaging seen in FIG. 1.

The broken (dashed) lines showing the portable device contained within the package in FIGS. 1-7 are for illustrative purposes only; and form no part of the claimed design.

**1 Claim, 2 Drawing Sheets**



# US D616,295 S

Page 2

## U.S. PATENT DOCUMENTS

1,713,153	A *	5/1929	Webber	.....	40/661.07	D475,918	S	6/2003	Ajootian	
2,075,529	A	3/1937	Leubrie			6,610,338	B2	8/2003	Tang	
D154,536	S *	7/1949	Forschner	.....	D19/28	D485,573	S	1/2004	Li	
2,596,374	A *	5/1952	Crapster	.....	116/308	D494,632	S	8/2004	Gladstone	
D170,961	S *	12/1953	Blish	.....	D3/212	D494,999	S	8/2004	Cook, Jr.	
2,896,290	A *	7/1959	Salm et al.	.....	24/600.4	6,827,214	B2	12/2004	Alzner et al.	
3,127,089	A	3/1964	Freeman			D509,654	S	9/2005	Miller	
3,255,869	A	6/1966	Keller			6,938,931	B1	9/2005	Davis	
3,405,863	A	10/1968	Kugler			6,974,157	B1	12/2005	Hammon	
3,966,524	A	6/1976	Lehmacher			7,005,170	B1	2/2006	Simpson et al.	
D270,622	S	9/1983	Hardy			7,028,892	B2	4/2006	Morgan	
4,442,936	A	4/1984	Densham			7,032,817	B2	4/2006	Blank	
4,461,661	A	7/1984	Fabel			7,070,095	B1	7/2006	Gandel et al.	
4,498,591	A	2/1985	Smith, II			D531,021	S	10/2006	Ashby et al.	
4,576,316	A	3/1986	Foster			7,207,154	B2	4/2007	Araujo	
4,740,090	A	4/1988	McNamee			D545,689	S	7/2007	Peel	
4,742,908	A	5/1988	Thomas et al.			D546,705	S	7/2007	Suzuki	
4,890,936	A	1/1990	Cooper			7,237,676	B2	7/2007	Celia	
4,907,359	A *	3/1990	Berman	.....	40/675	7,278,570	B2	10/2007	McGee et al.	
4,938,347	A	7/1990	Tillman			D561,604	S	2/2008	Galor	
D310,849	S	9/1990	Davis			7,404,488	B2	7/2008	Verbruggen et al.	
5,106,090	A *	4/1992	Greenwood	.....	273/139	7,413,079	B2	8/2008	Hermansson et al.	
5,271,494	A	12/1993	Odermatt et al.			7,490,720	B2	2/2009	Cole et al.	
5,291,995	A	3/1994	von Agris et al.			2003/0042732	A1	3/2003	Wright	
5,308,121	A *	5/1994	Gunn	.....	283/99	2003/0150763	A1	8/2003	Chen	
D347,994	S	6/1994	Hammond			2003/0188815	A1	10/2003	Hart	
D350,983	S	9/1994	Penniman			2004/0074799	A1	4/2004	Bell et al.	
5,380,046	A	1/1995	Stephens			2005/0011776	A1 *	1/2005	Nagel	..... 206/39
5,443,154	A	8/1995	Hustad et al.			2005/0045503	A1	3/2005	Wong et al.	
D368,428	S	4/1996	Croft			2006/0091202	A1	5/2006	McInnis	
5,609,253	A	3/1997	Goade, Sr.			2006/0151348	A1	7/2006	Willard	
D382,668	S	8/1997	Dolan			2006/0255154	A1	11/2006	Newbrough et al.	
5,711,469	A	1/1998	Gormley et al.			2006/0290501	A1	12/2006	Hammad	
D394,604	S	5/1998	Cammack			2007/0013521	A1	1/2007	Lindsay et al.	
5,760,381	A *	6/1998	Stich et al.	.....	235/380	2007/0040030	A1 *	2/2007	Kranzley et al.	..... 235/451
5,842,629	A	12/1998	Sprague et al.			2007/0074799	A1	4/2007	Nkane et al.	
5,893,459	A	4/1999	Croft			2007/0246527	A1	10/2007	Tang	
5,918,909	A	7/1999	Fiala et al.			2007/0252381	A1	11/2007	Weisz et al.	
6,108,957	A	8/2000	Zapawa			2008/0116283	A1 *	5/2008	Newbrough et al.	..... 235/487
6,109,439	A	8/2000	Goade, Sr.			2008/0217401	A1	9/2008	Birkeland et al.	
6,116,655	A	9/2000	Thouin et al.			2008/0223914	A1	9/2008	Choi	
6,457,863	B1	10/2002	Vassallo			2008/0257956	A1	10/2008	Grannan et al.	
D474,235	S	5/2003	Haas			2008/0257966	A1	10/2008	Britt et al.	
6,561,657	B1 *	5/2003	Schofield	.....	359/838					

\* cited by examiner

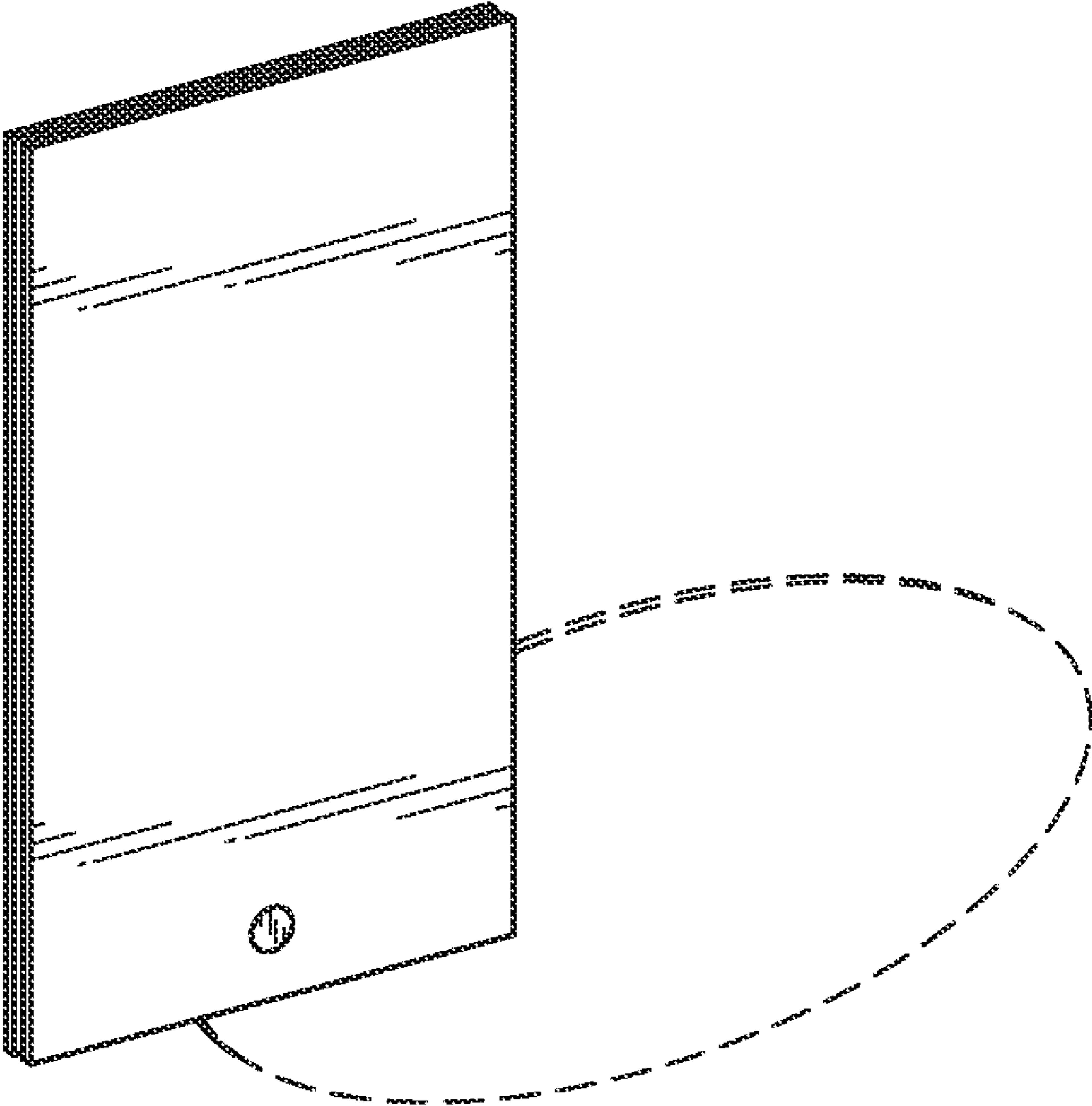


FIG. 1

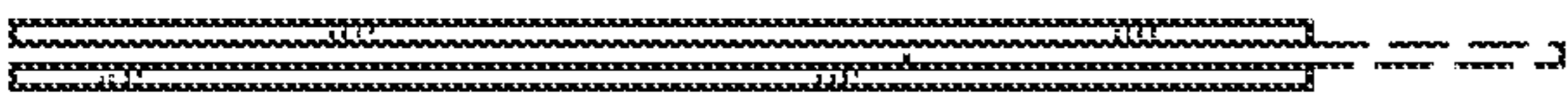
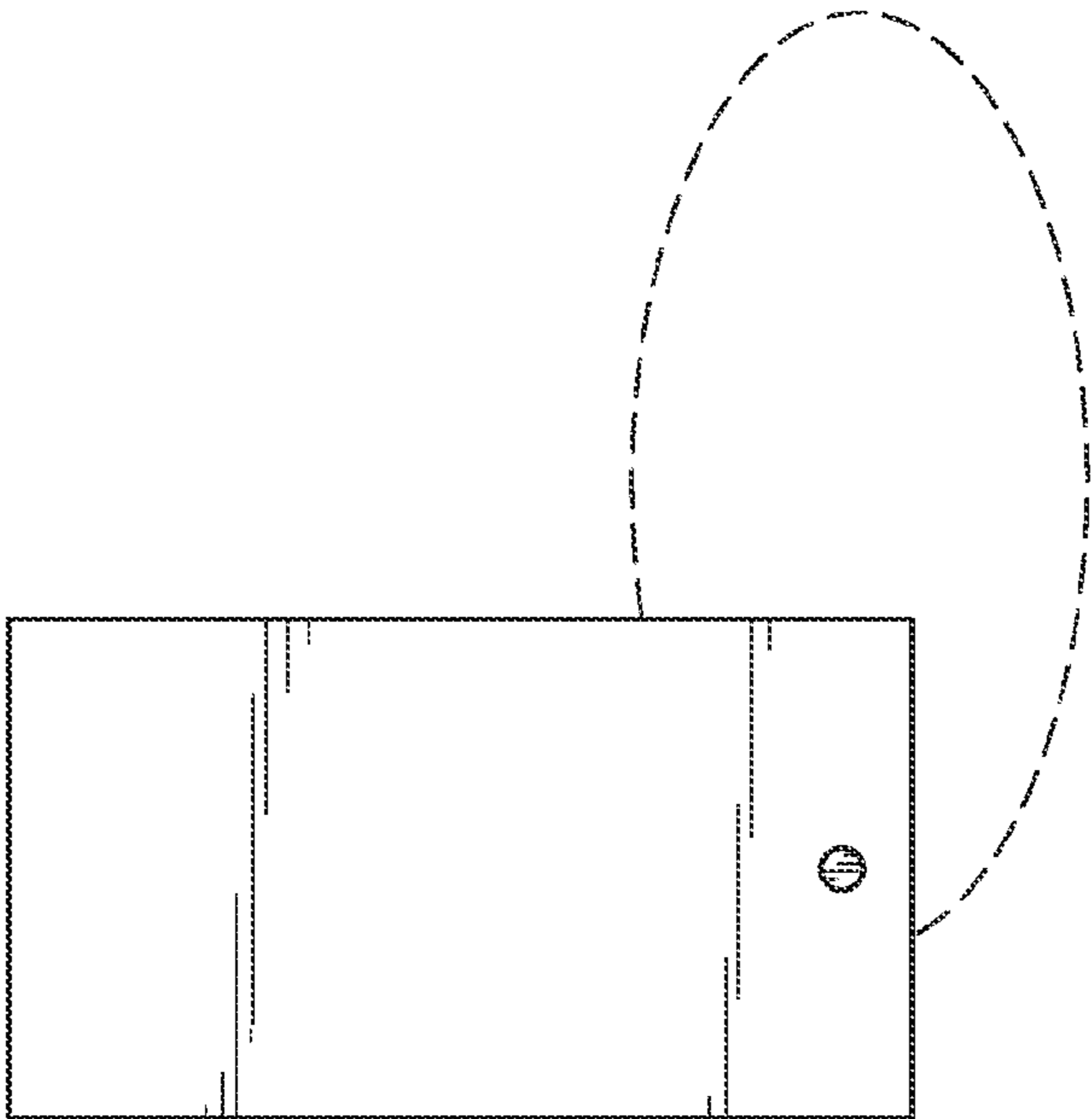
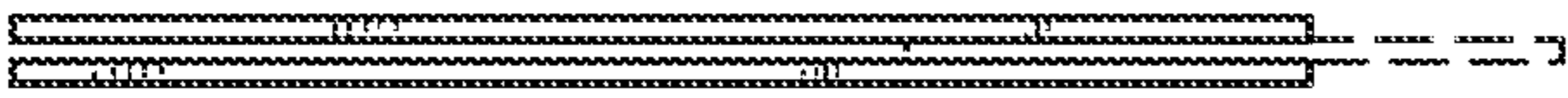
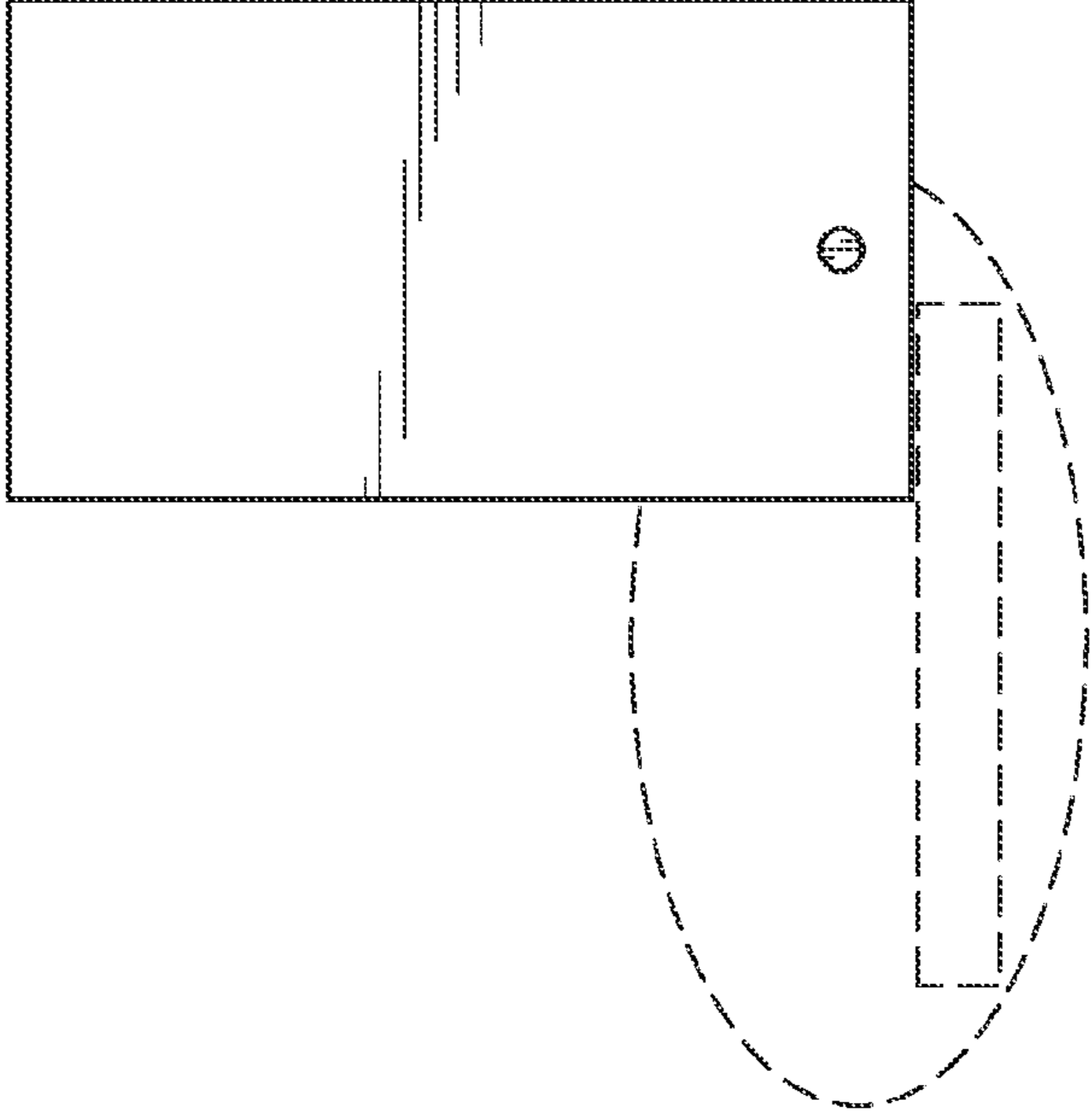


FIG.2

FIG.3

FIG.4

FIG.5



FIG.6



FIG.7