



US00D616292S

(12) **United States Design Patent**  
**Martinson**

(10) **Patent No.:** **US D616,292 S**  
(45) **Date of Patent:** **\*\* May 25, 2010**

(54) **TWIST TIE**

(76) **Inventor:** **Daniel J. Martinson**, 4080 Garland La.  
N., Plymouth, MN (US) 55446

(\*\*) **Term:** **14 Years**

(21) **Appl. No.:** **29/329,467**

(22) **Filed:** **Dec. 16, 2008**

(51) **LOC (9) Cl.** ..... **08-08**

(52) **U.S. Cl.** ..... **D8/394; D8/396**

(58) **Field of Classification Search** ..... D8/356,  
D8/383, 394-396; 24/16 PB, 17 AP, 30.5 P,  
24/30.5 S, 300-302, 339, DIG. 16; 248/58,  
248/60, 74.3, 71; 70/16; 128/878

See application file for complete search history.

(56) **References Cited**

**U.S. PATENT DOCUMENTS**

2,118,875	A	5/1938	Windheim	
2,530,695	A	11/1950	Helmert	
3,023,483	A *	3/1962	Steiner	428/394
3,458,862	A *	7/1969	Franks	343/786
3,768,711	A	10/1973	Wilkinson	
3,906,139	A *	9/1975	Hiraoka et al.	428/383
3,947,927	A	4/1976	Rosenthal	
3,960,302	A	6/1976	Mazzoni, Jr.	
4,015,762	A	4/1977	Mendillo	
4,120,437	A	10/1978	Hara	
4,463,885	A	8/1984	Ball et al.	
4,483,470	A	11/1984	Cousins	
4,484,378	A	11/1984	Kimura et al.	
4,488,748	A	12/1984	Burkes	
4,531,661	A	7/1985	Santy	
4,553,779	A	11/1985	Shortridge	
4,679,387	A *	7/1987	Weidenhaupt et al.	57/212
4,856,689	A	8/1989	Shore	
D310,909	S	10/1990	Bradt	
5,056,820	A	10/1991	Des Prez	
5,104,017	A	4/1992	Vandagriff	
5,190,336	A	3/1993	Palz	
5,199,135	A	4/1993	Gold	
5,437,401	A	8/1995	Seltzer	
5,468,036	A	11/1995	Brown	

5,590,422	A	1/1997	Henderson	
5,711,143	A *	1/1998	Munakata et al.	57/215
5,853,212	A	12/1998	Daniel	

(Continued)

**OTHER PUBLICATIONS**

Web page illustration from web site illustrating Grip Twist lock and carry device; griptwist.com; Dakota Trading Corporation, 2008.

*Primary Examiner*—T. Chase Nelson  
*Assistant Examiner*—John Windmuller  
(74) *Attorney, Agent, or Firm*—Botkin & Hall, LLP

(57) **CLAIM**

The ornamental design for a twist tie, as shown and described.

**DESCRIPTION**

FIG. 1 is a perspective view of a twist tie showing my new design;

FIG. 2 is an end view of the design;

FIG. 3 is a front side view of the design;

FIG. 4 is a top view of the design;

FIG. 5 is a rear view of the design;

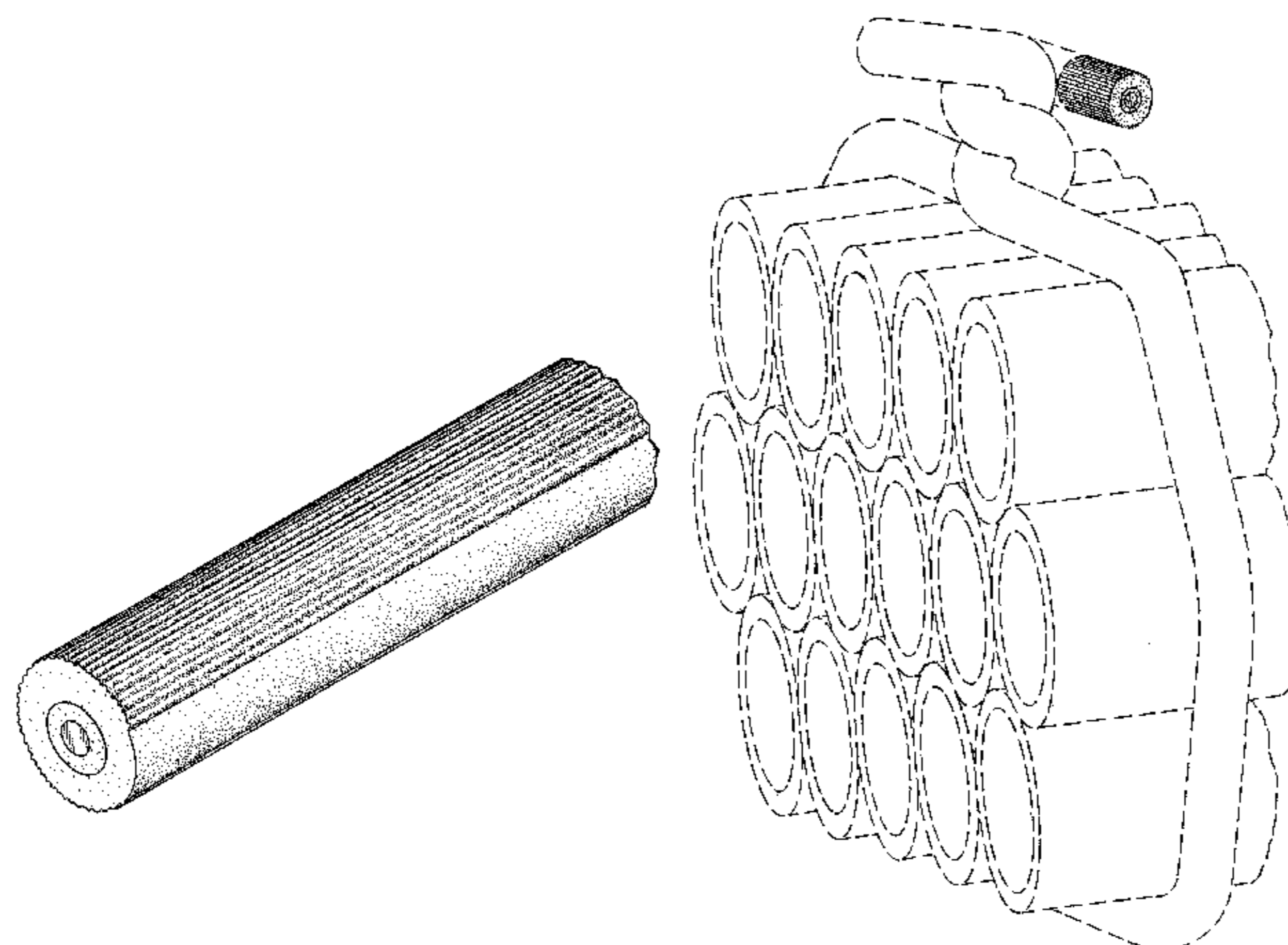
FIG. 6 is a bottom view of the design; and,

FIG. 7 is a perspective view of the twist tie in use bundling objects.

In FIG. 7, the broken-line objects and additional length of twist tie depict environmental subject matter only and form no part of the claimed design.

The twist tie is shown broken away on one end in the figures to indicate that a particular length of twist tie forms no part of the claimed design.

**1 Claim, 3 Drawing Sheets**



# US D616,292 S

Page 2

---

## U.S. PATENT DOCUMENTS

6,113,170 A *	9/2000	Daniel	.....	294/147	D520,526 S *	5/2006	Wuest et al.	.....	D15/28
D465,292 S *	11/2002	Ko	.....	D26/4	7,192,069 B1 *	3/2007	Daniel	.....	294/147
6,527,482 B1 *	3/2003	Stankus	.....	405/259.5	7,250,213 B2 *	7/2007	Duncan	.....	428/379
6,848,663 B2 *	2/2005	Olive	.....	248/317	7,571,837 B2 *	8/2009	Orlowski	.....	222/386

\* cited by examiner

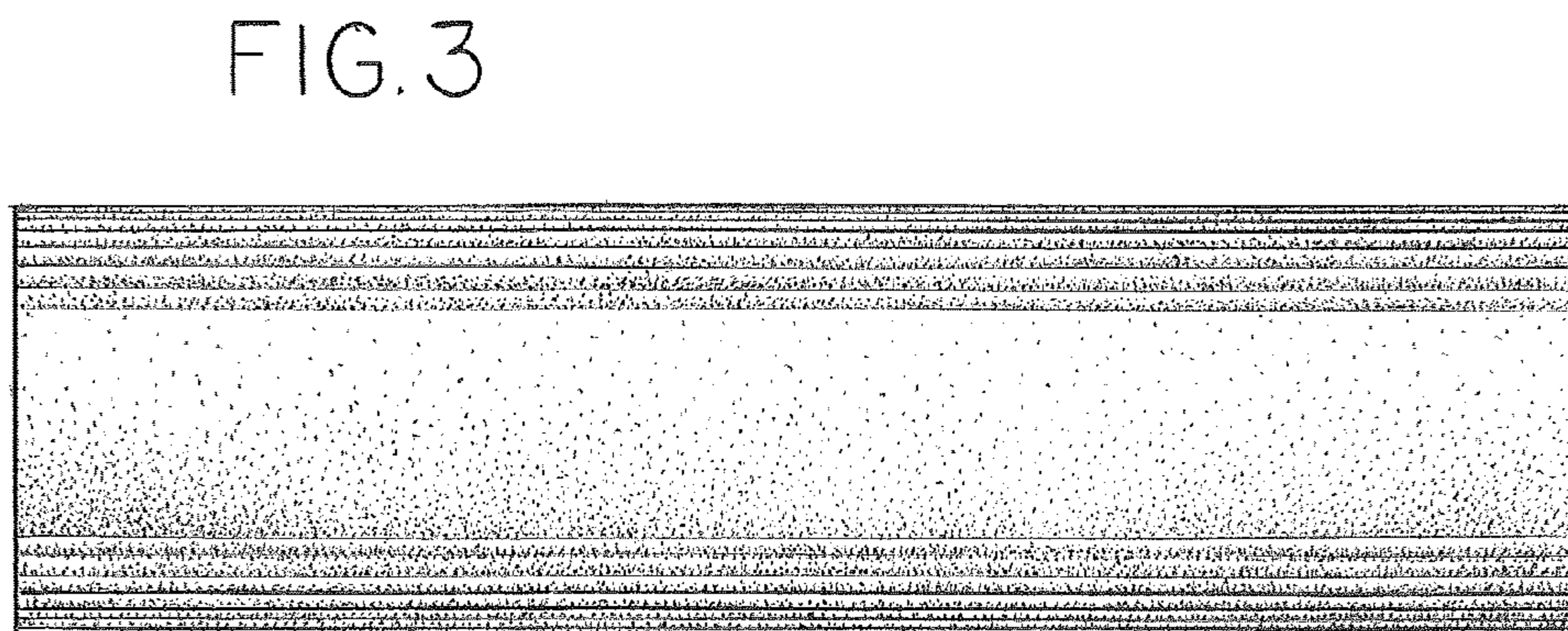
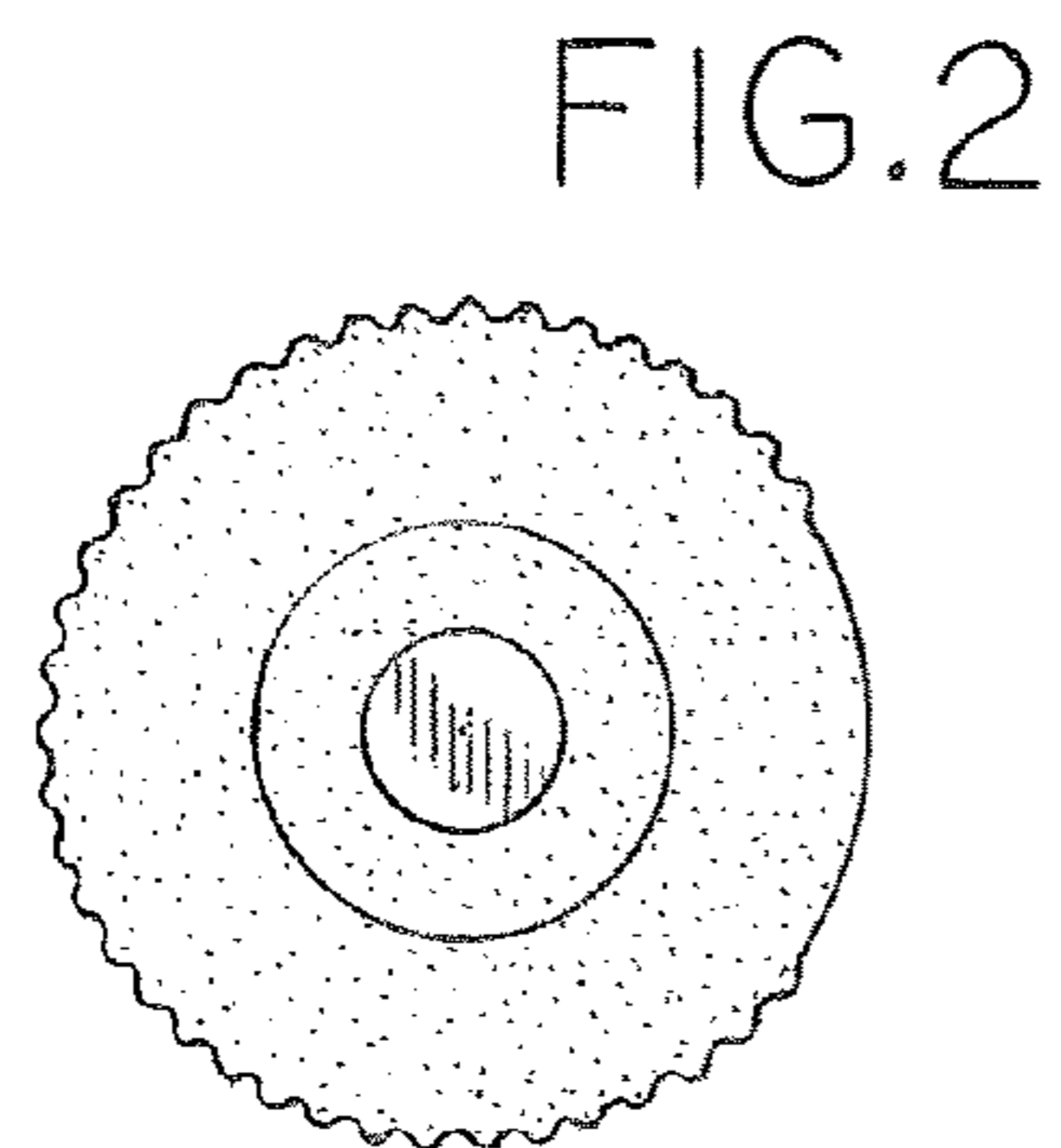
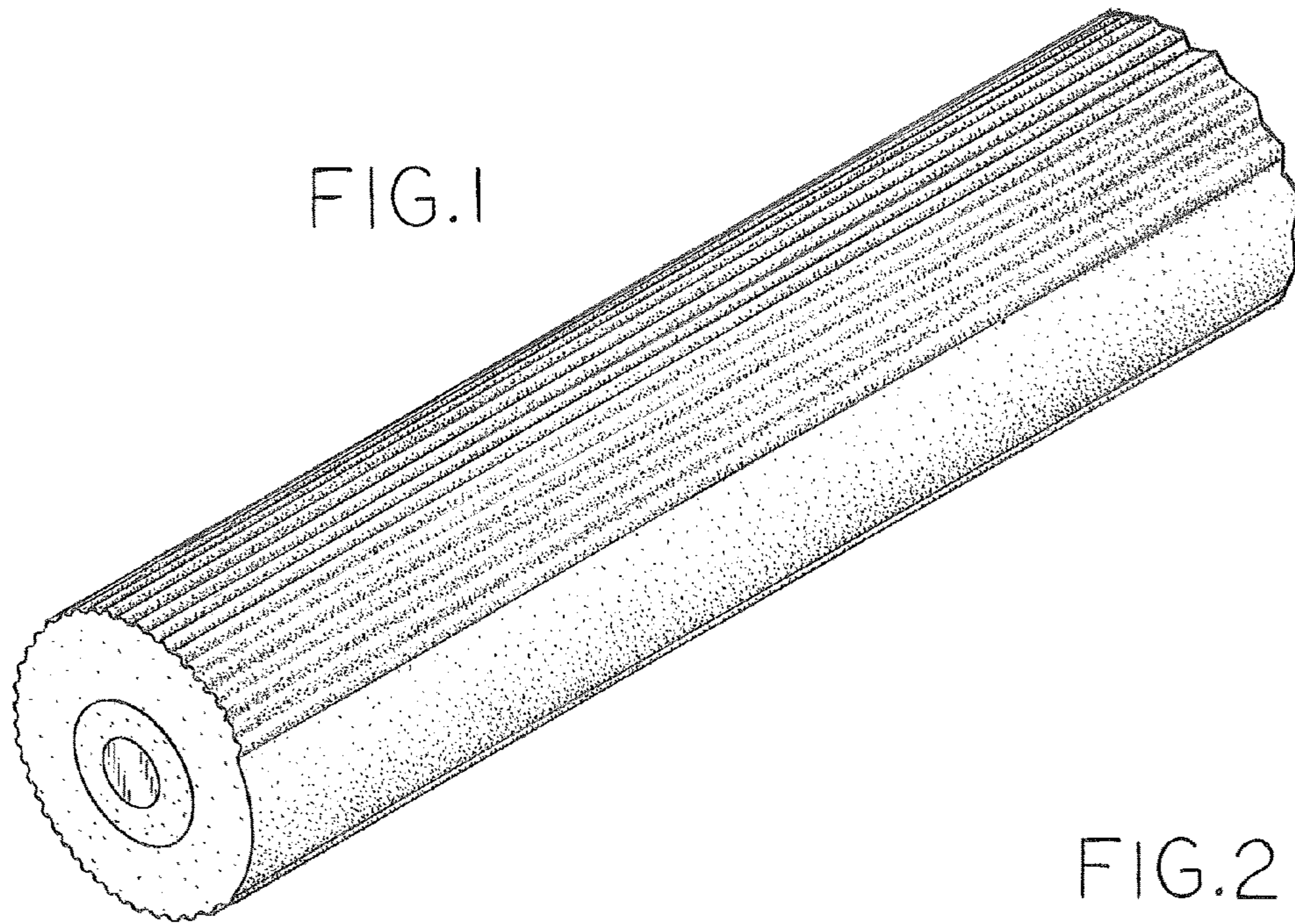


FIG.4

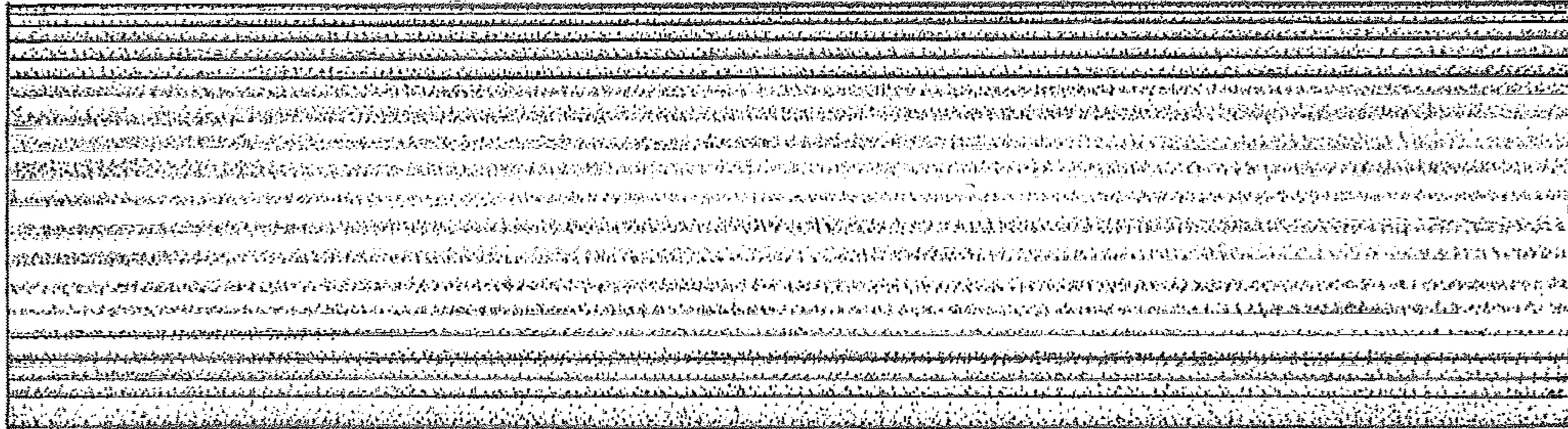


FIG.5

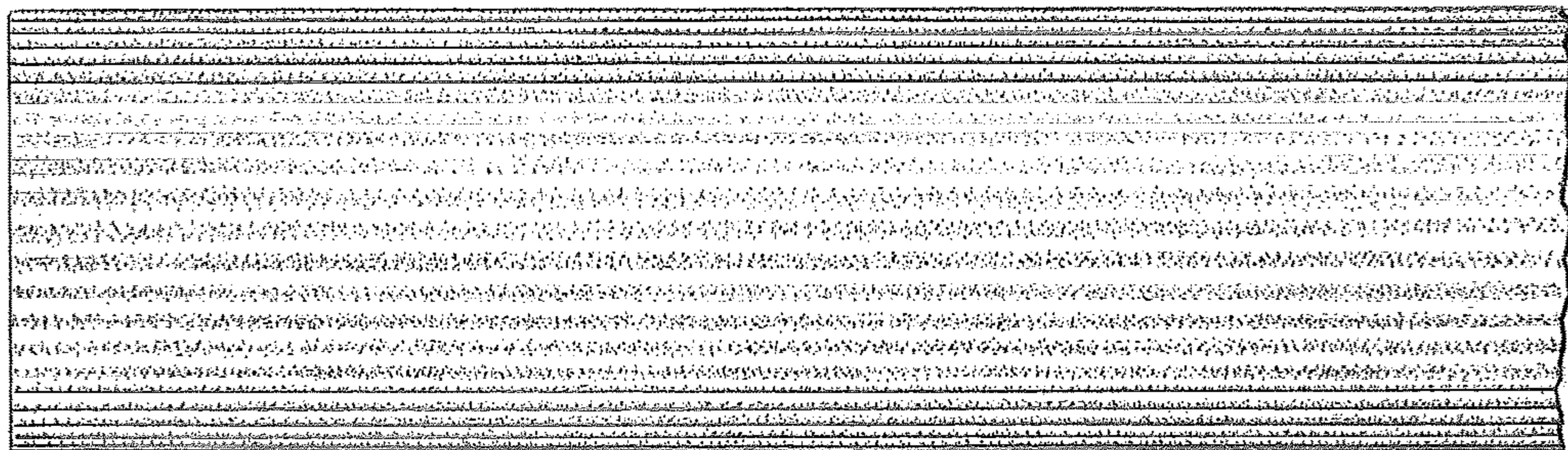


FIG.6

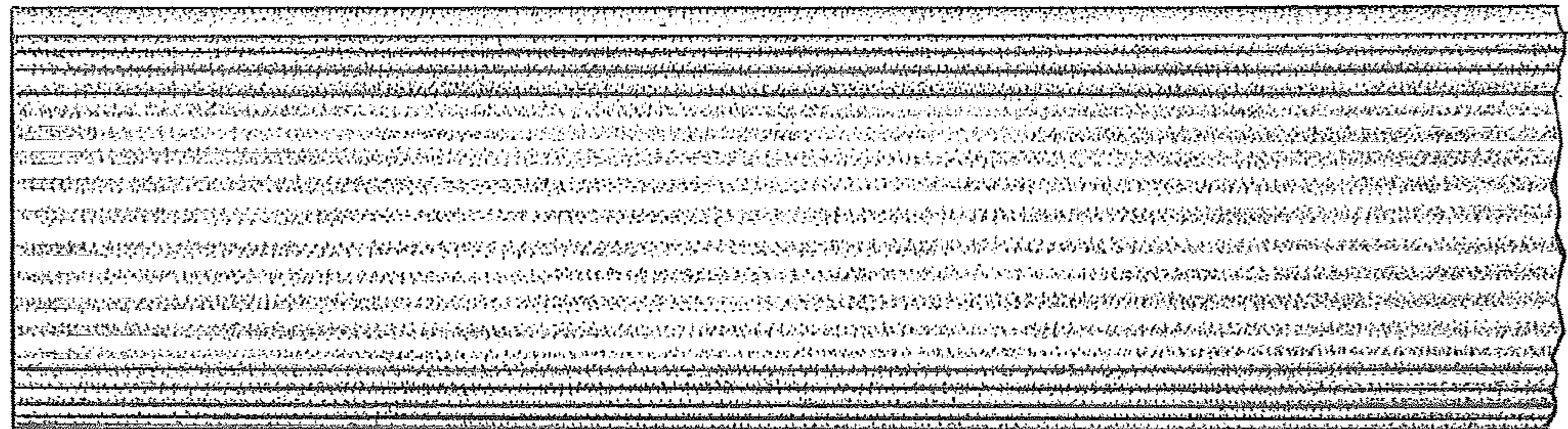


FIG.7

