



US00D616285S

(12) **United States Design Patent**
Kimber

(10) **Patent No.:** **US D616,285 S**

(45) **Date of Patent:** **** May 25, 2010**

(54) **SUCTION CUP WITH HANDLE**

(76) Inventor: **Mickel Kimber**, 13882 76th Rd. North,
West Palm Beach, FL (US) 33412

(**) Term: **14 Years**

(21) Appl. No.: **29/351,295**

(22) Filed: **Dec. 3, 2009**

(51) **LOC (9) Cl.** **08-05**

(52) **U.S. Cl.** **D8/349**; D8/14

(58) **Field of Classification Search** D8/14,
D8/71, 300, 315, 316, 319, 320, 349, 354,
D8/373; 294/8.6, 64.1; 248/205.5–206.2,
248/309.6, 362, 363, 537, 683
See application file for complete search history.

(56) **References Cited**

U.S. PATENT DOCUMENTS

2,127,154	A	8/1938	Burk	
2,131,687	A *	9/1938	Kaplan	294/64.1
2,212,755	A *	8/1940	Solomon	294/64.1
2,474,950	A *	7/1949	Macchesney	294/64.1
2,871,054	A *	1/1959	Zinke	294/64.1
D199,333	S *	10/1964	Finley	D8/14
3,240,525	A *	3/1966	Wood	294/64.1
3,913,964	A	10/1975	Lukeman	
D246,499	S *	11/1977	Poulsen et al.	D34/28
4,214,785	A *	7/1980	Broch	294/64.1
5,087,005	A *	2/1992	Holoff et al.	248/205.8
5,184,858	A *	2/1993	Arai	294/64.1
5,306,059	A	4/1994	Pirrallo	
5,639,134	A *	6/1997	Rusch et al.	294/64.1
D391,837	S *	3/1998	Adams	D8/354
5,909,758	A *	6/1999	Kitamura	248/205.3

D416,783	S *	11/1999	Hampshire	D8/354
D421,556	S	3/2000	Smith	
6,039,371	A *	3/2000	Smith	294/8.6
D423,327	S *	4/2000	Ades	D8/354
D423,329	S *	4/2000	Adams	D8/354
6,154,929	A *	12/2000	Dwyer	248/206.2
6,170,894	B1	1/2001	Baker et al.	
D459,958	S *	7/2002	Smith	D8/14
6,478,271	B1 *	11/2002	Mulholland	248/205.8
6,913,412	B1 *	7/2005	Byers	248/205.9
D510,853	S *	10/2005	Liao	D8/354
D578,868	S *	10/2008	Ramakers et al.	D8/354
7,673,914	B2 *	3/2010	Liao	294/64.1
2008/0179905	A1	7/2008	Park	
2009/0166490	A1 *	7/2009	Liao	248/205.8

* cited by examiner

Primary Examiner—Philip S Hyder
Assistant Examiner—Cynthia M Chin
(74) *Attorney, Agent, or Firm*—Kyle Fletcher

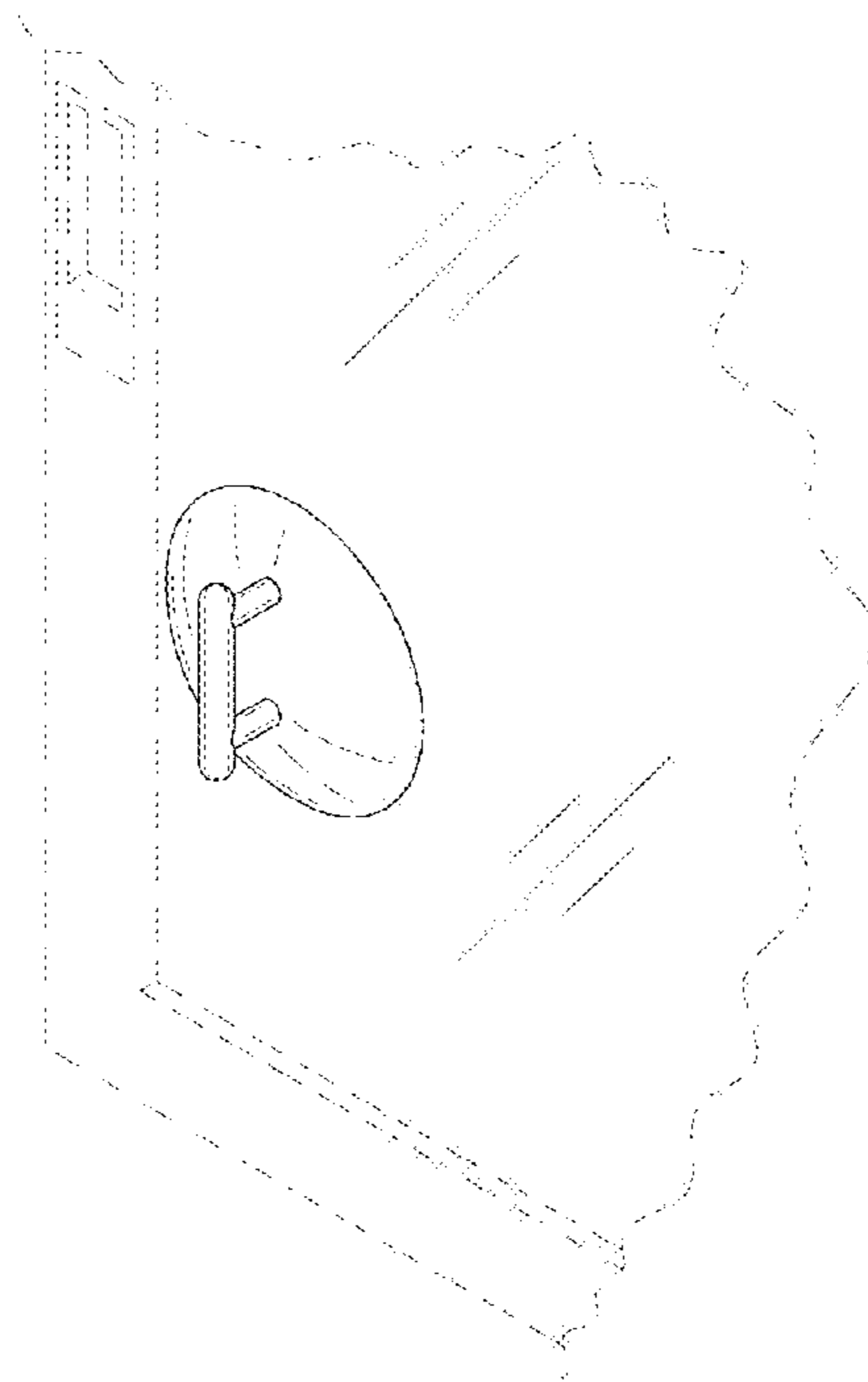
(57) **CLAIM**

The ornamental design for the suction cup with handle, as shown and described.

DESCRIPTION

FIG. 1 is a top view of the suction cup with handle.
FIG. 2 is a left view of the claimed design.
FIG. 3 is a rear view of the claimed design.
FIG. 4 is a front view of the claimed design; and,
FIG. 5 is a perspective view of the claimed design in use with broken lines depicting a glass door as environmental matter forming no part of the claimed design.

1 Claim, 4 Drawing Sheets



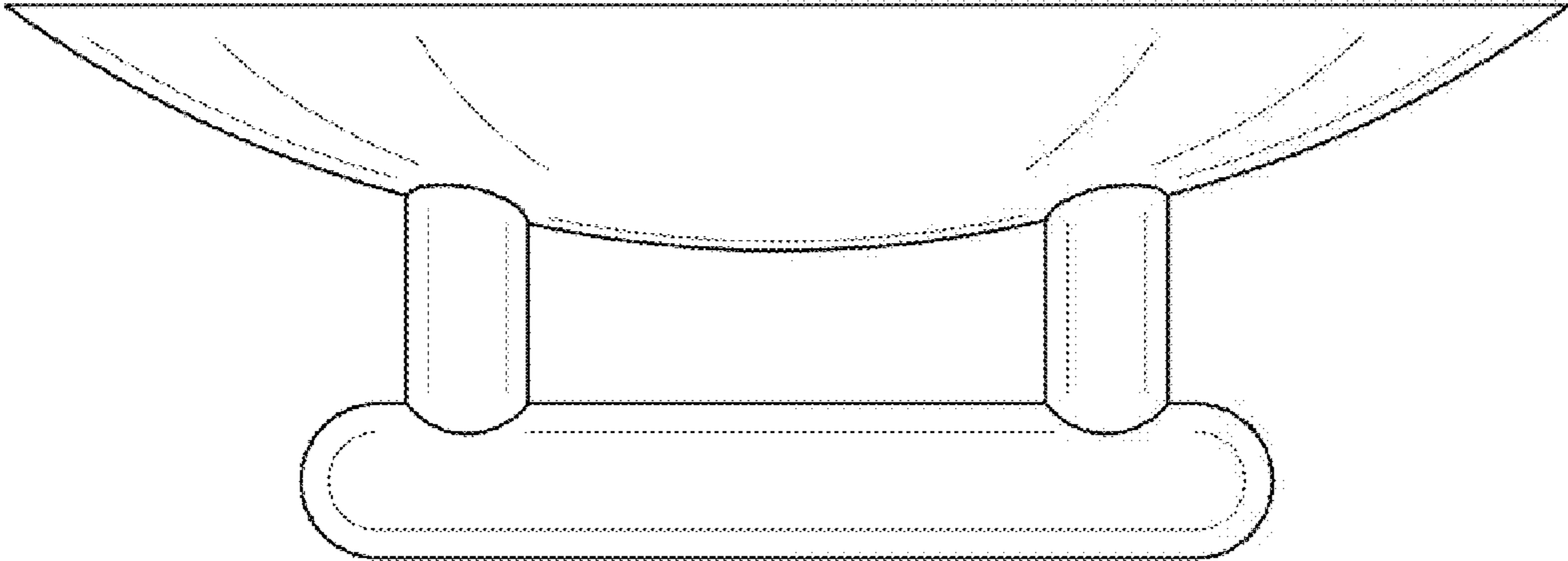


FIG. 1

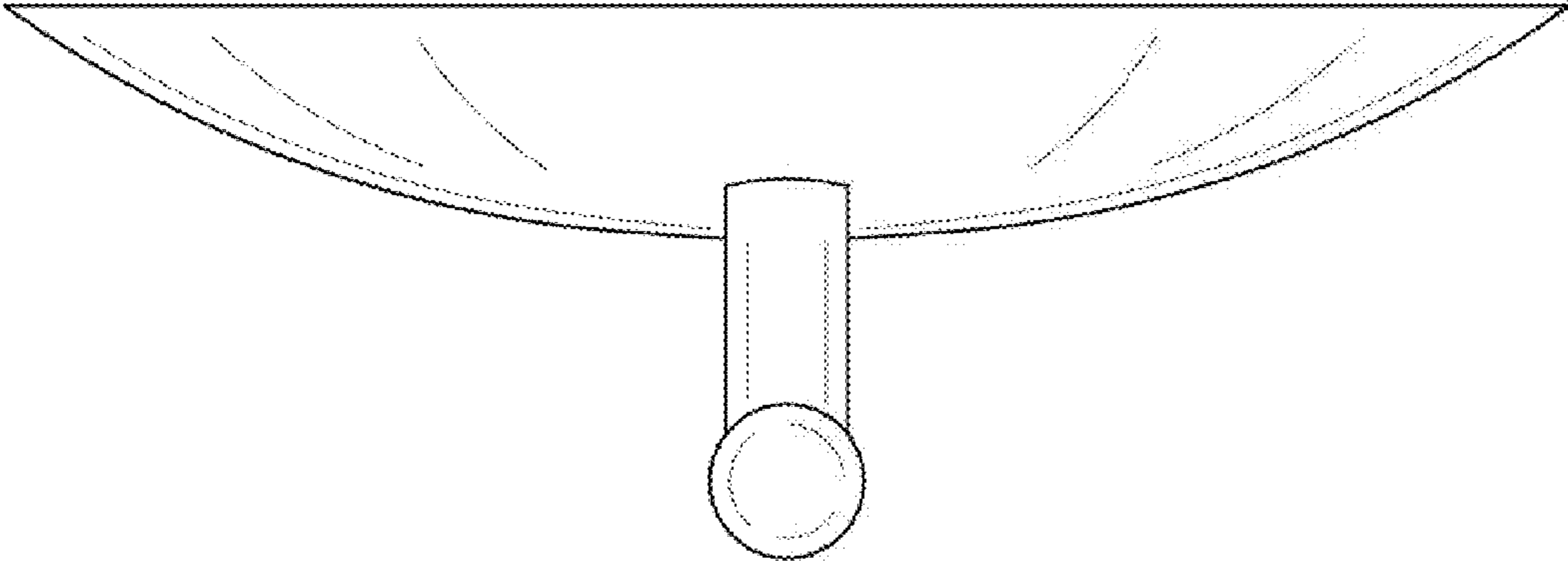


FIG. 2

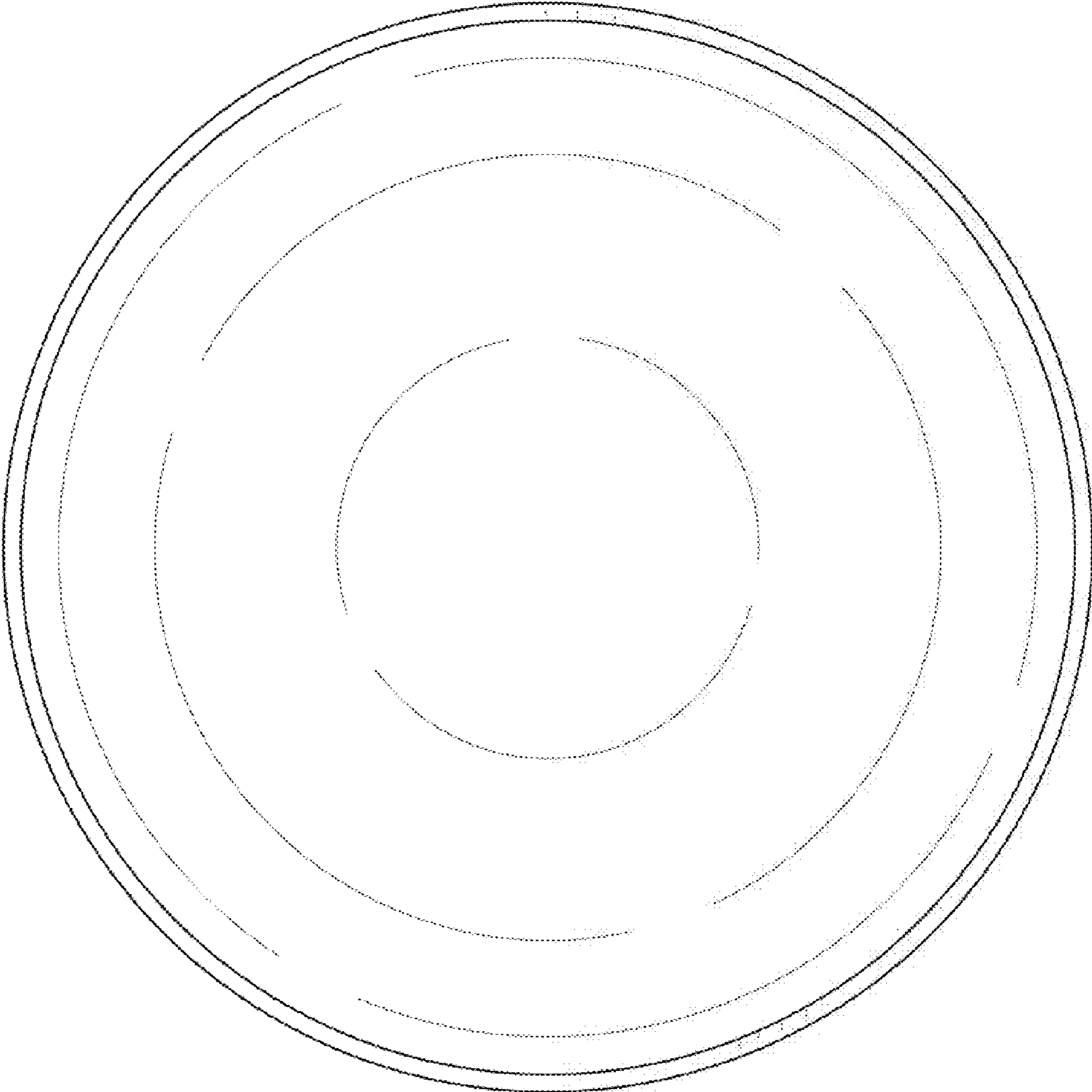


FIG. 3

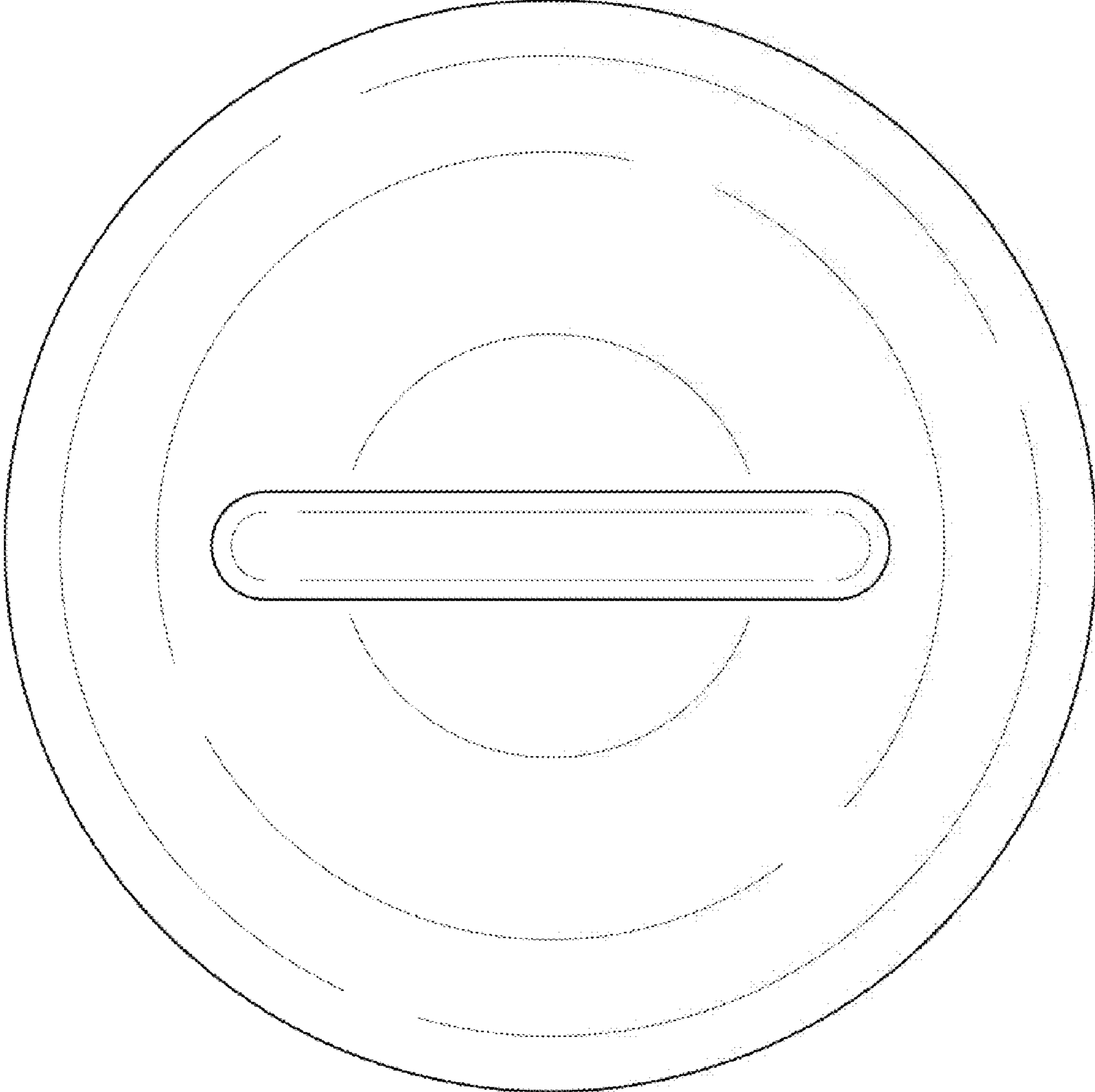


FIG. 4

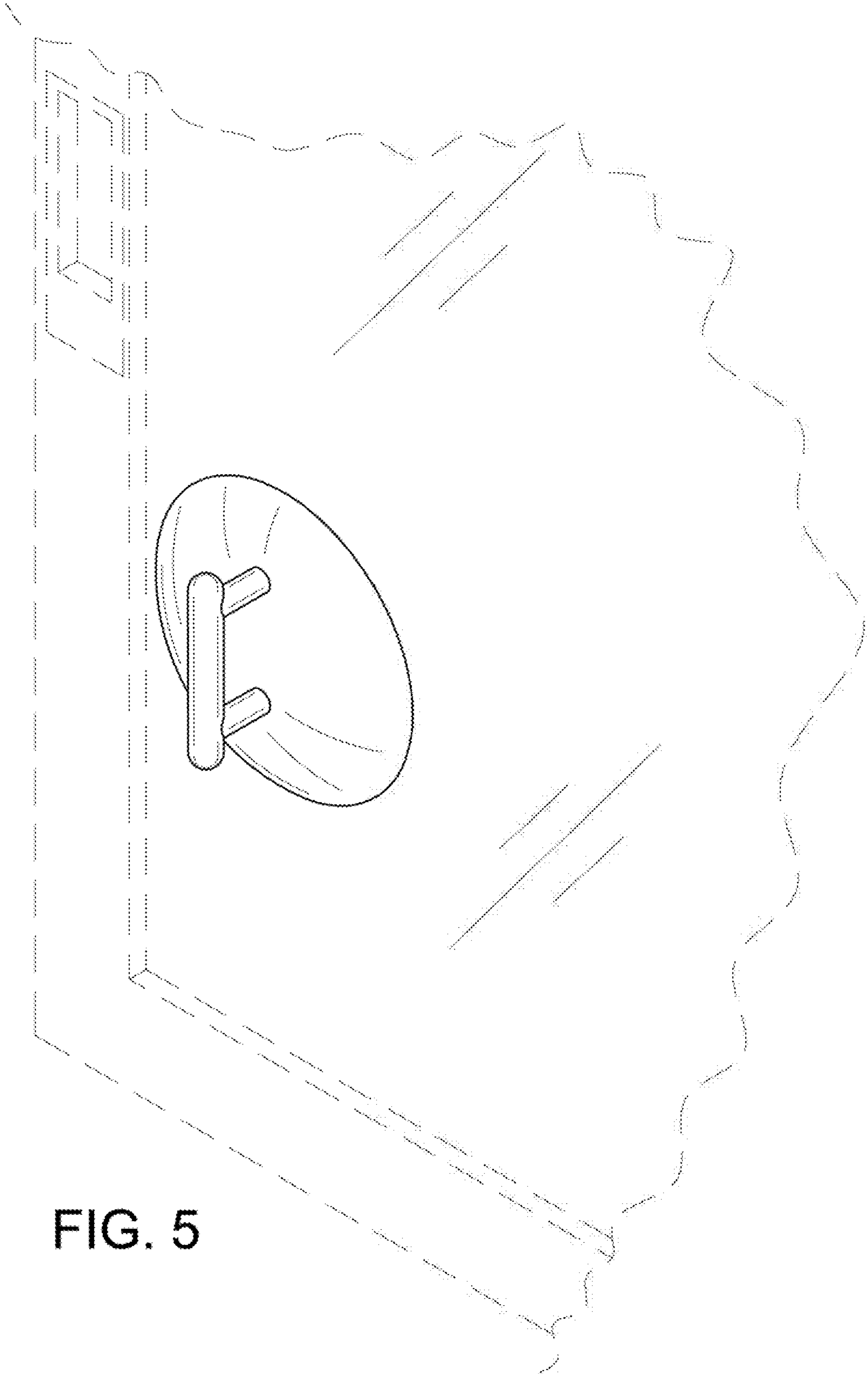


FIG. 5