



US00D616284S

(12) **United States Design Patent**
Gartner

(10) **Patent No.:** **US D616,284 S**

(45) **Date of Patent:** **** May 25, 2010**

(54) **LATCH GUARD**

(76) **Inventor:** **Allan W. Gartner**, 9851 - 63 Avenue,
Edmonton, AB (CA) T6E 0G7

(**) **Term:** **14 Years**

(21) **Appl. No.:** **29/318,122**

(22) **Filed:** **May 13, 2008**

(51) **LOC (9) Cl.** **08-07**

(52) **U.S. Cl.** **D8/346**

(58) **Field of Classification Search** D8/346,
D8/300, 302, 330, 331, 341, 343; D25/119,
D25/122, 124, 127, 156; 49/449; 70/141,
70/450, 451, 466; 211/87.01, 94.01, 94.02,
211/100, 192; 292/346, 358, 359

See application file for complete search history.

(56) **References Cited**

U.S. PATENT DOCUMENTS

3,761,119	A	9/1973	Bennett	
4,178,027	A *	12/1979	Charron	292/346
4,237,712	A	12/1980	Cramer	
4,345,787	A *	8/1982	Dabrowski	292/346
4,484,463	A	11/1984	Hennessy	
D286,198	S *	10/1986	Bancroft	D25/125
D286,200	S *	10/1986	Bancroft	D25/119
4,751,834	A *	6/1988	Beck	70/452
D306,080	S *	2/1990	Whitney	D25/119
D335,714	S *	5/1993	Slocomb	D25/124
D344,595	S *	2/1994	Ehmke et al.	D25/119
5,415,020	A	5/1995	Allenbaugh	
D363,424	S *	10/1995	Lord	D8/343
D375,671	S *	11/1996	Heithe	D8/346
D408,558	S *	4/1999	Levy	D25/119

5,901,501	A *	5/1999	Fontaine	49/449
D424,909	S *	5/2000	Noblet et al.	D8/343
D442,465	S *	5/2001	Johns	D8/336

FOREIGN PATENT DOCUMENTS

CA 2444030 A1 4/2005

* cited by examiner

Primary Examiner—Prabhakar Deshmukh

Assistant Examiner—Derrick Holland

(74) *Attorney, Agent, or Firm*—Christensen O'Connor
Johnson Kindness PLLC

(57) **CLAIM**

I claim the ornamental design for a latch guard, as shown and described.

DESCRIPTION

FIG. 1 is a top plan view of a latch guard embodying my new design and comprising two elements shown in a first position;

FIG. 2 is a front elevation view of the latch guard of FIG. 1 shown in a second position as illustrated in FIG. 6;

FIG. 3 is a left side elevation view thereof;

FIG. 4 is a back elevation view thereof;

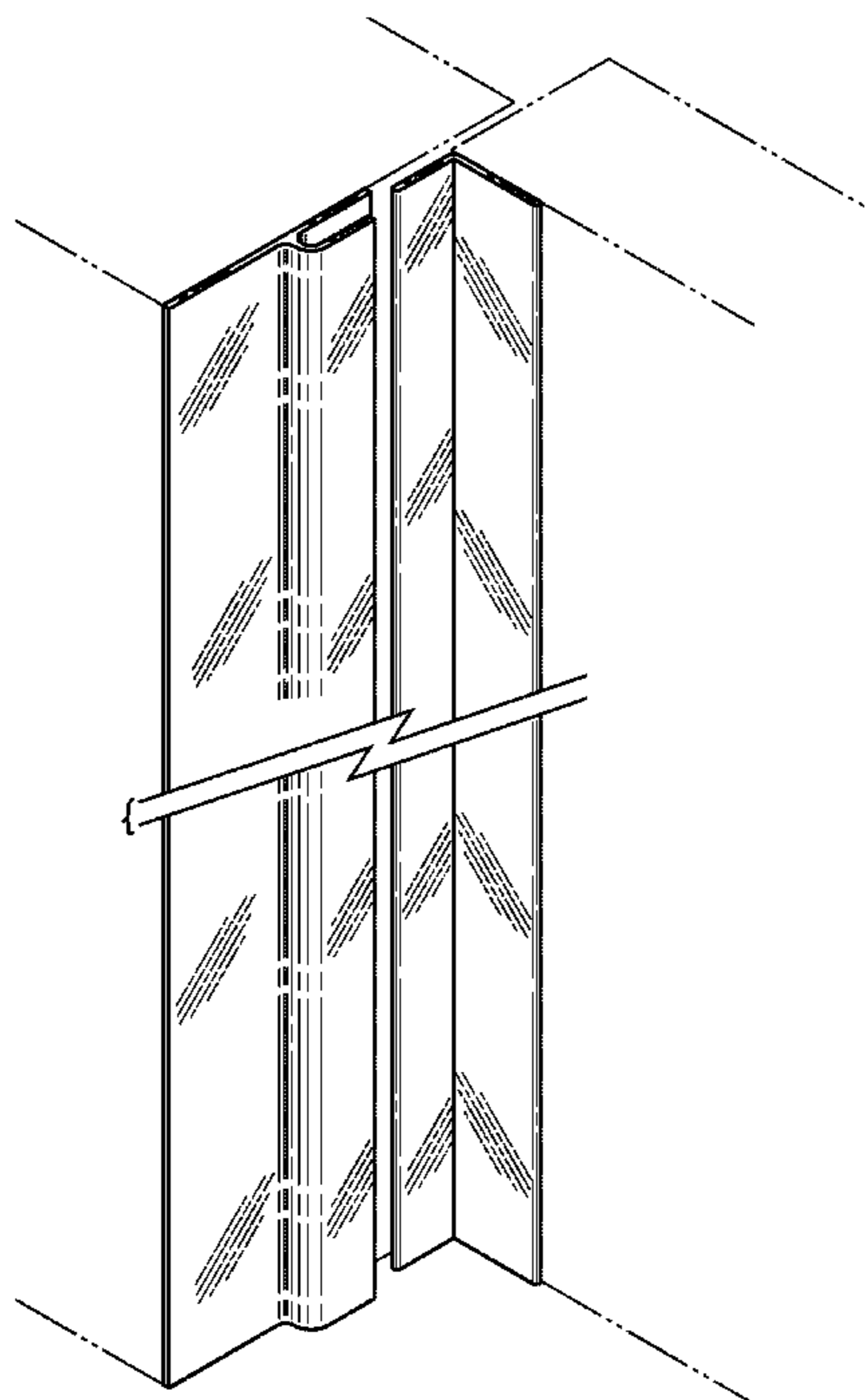
FIG. 5 is a right side elevation view thereof; and,

FIG. 6 is a back left perspective view of the latch guard shown in the second position.

The broken lines shown represent unclaimed subject matter and form no part of the claimed design.

The views shown broken away illustrate that the claim is not directed to a particular length.

1 Claim, 6 Drawing Sheets



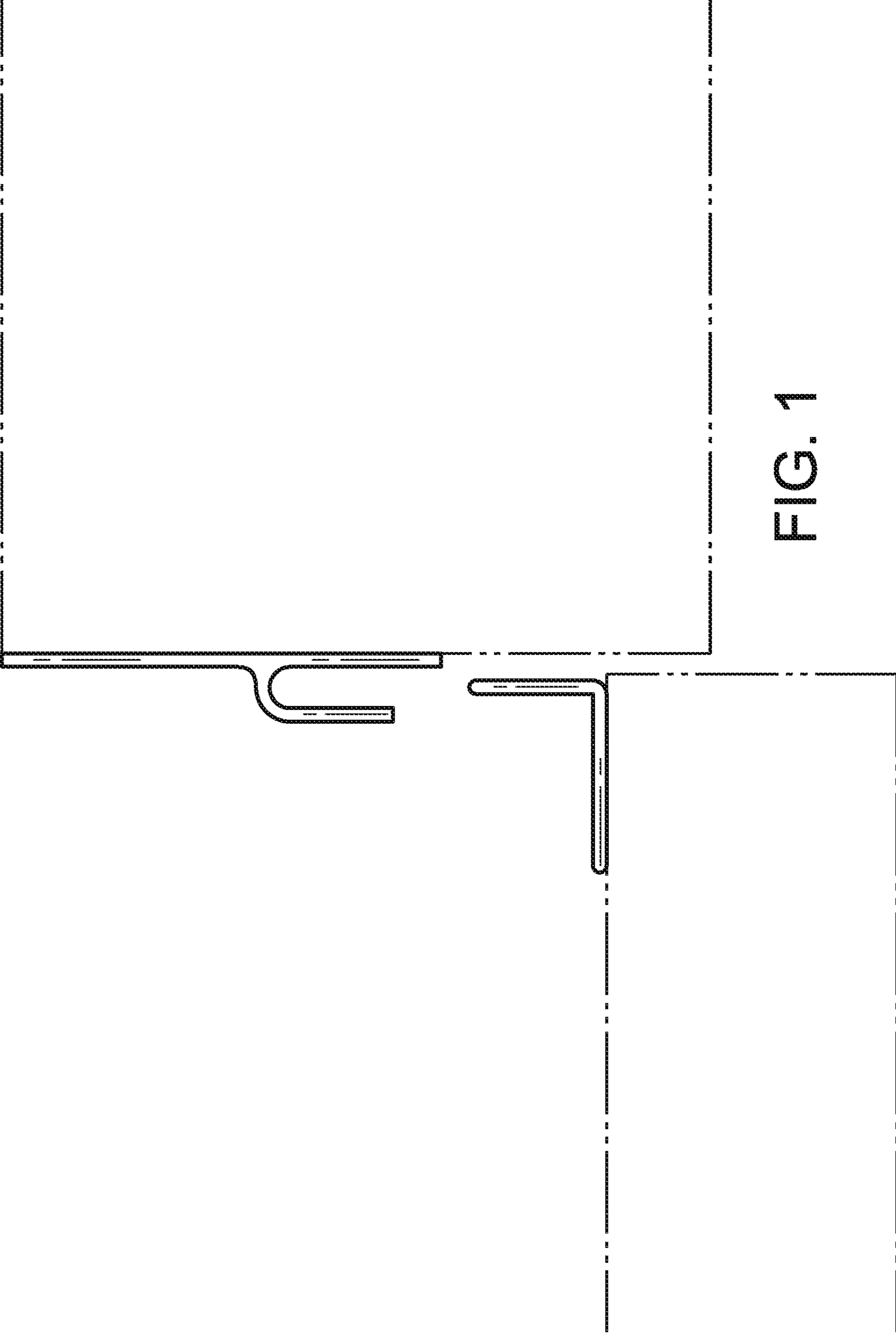


FIG. 1

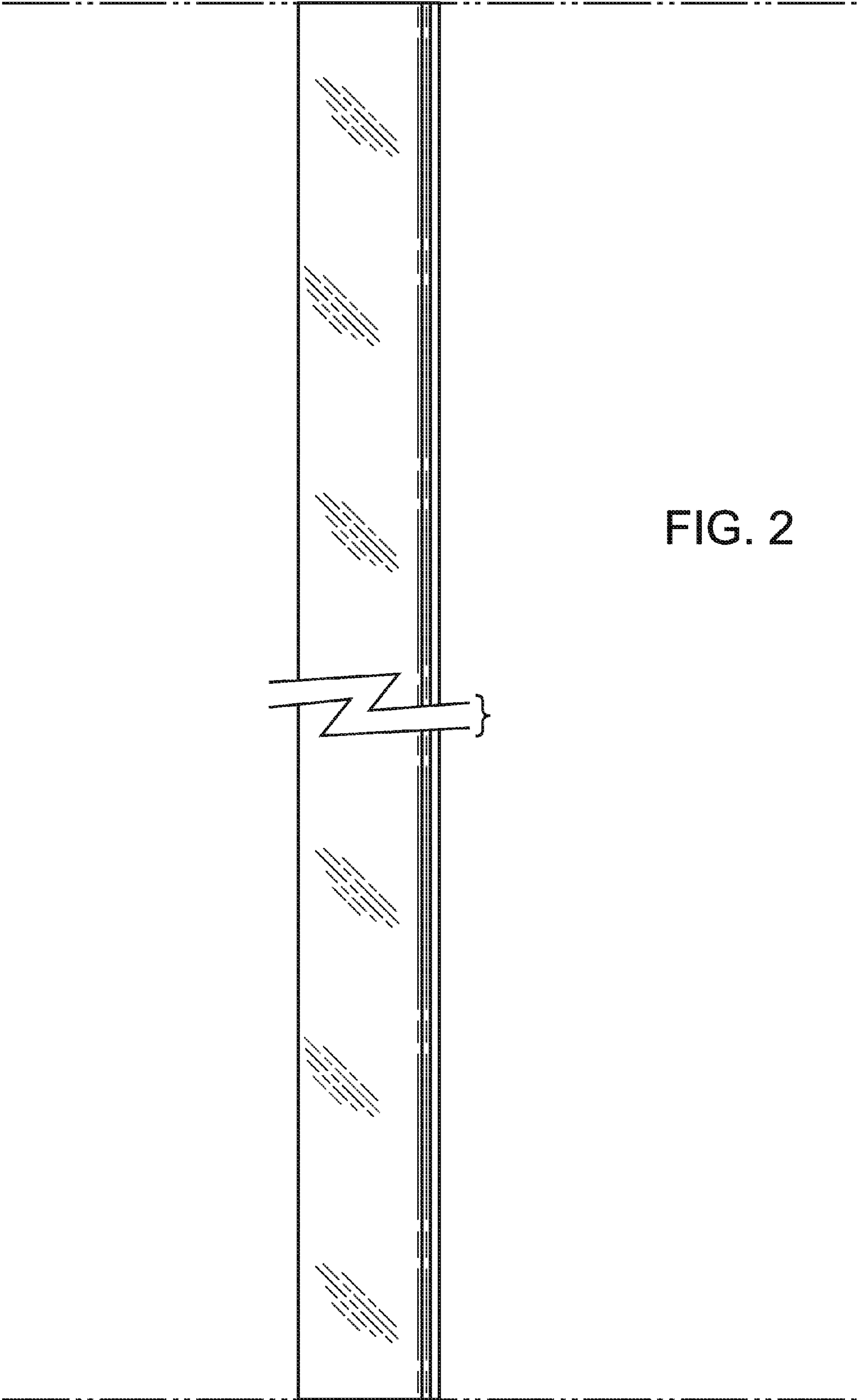


FIG. 2

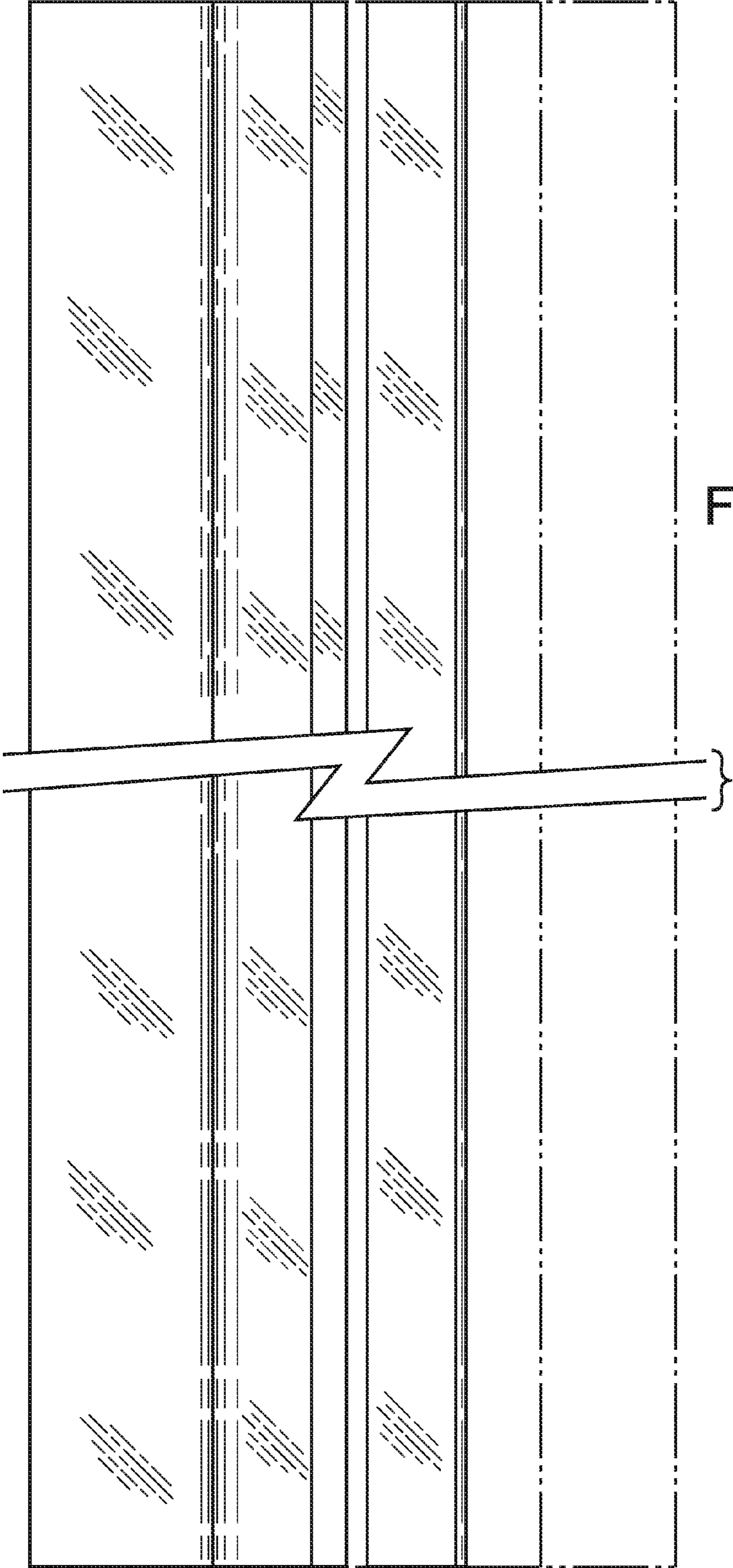


FIG. 3

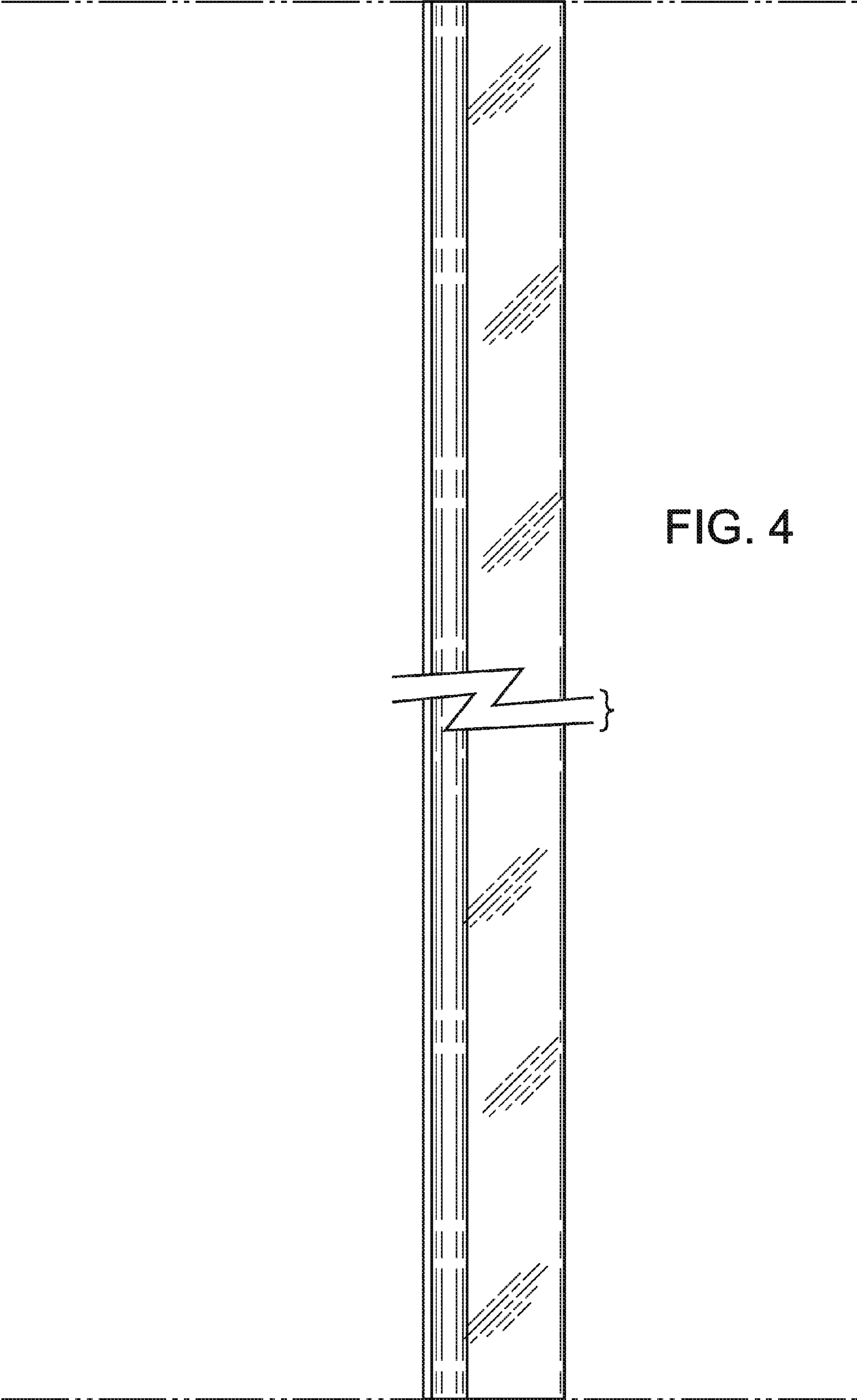


FIG. 4

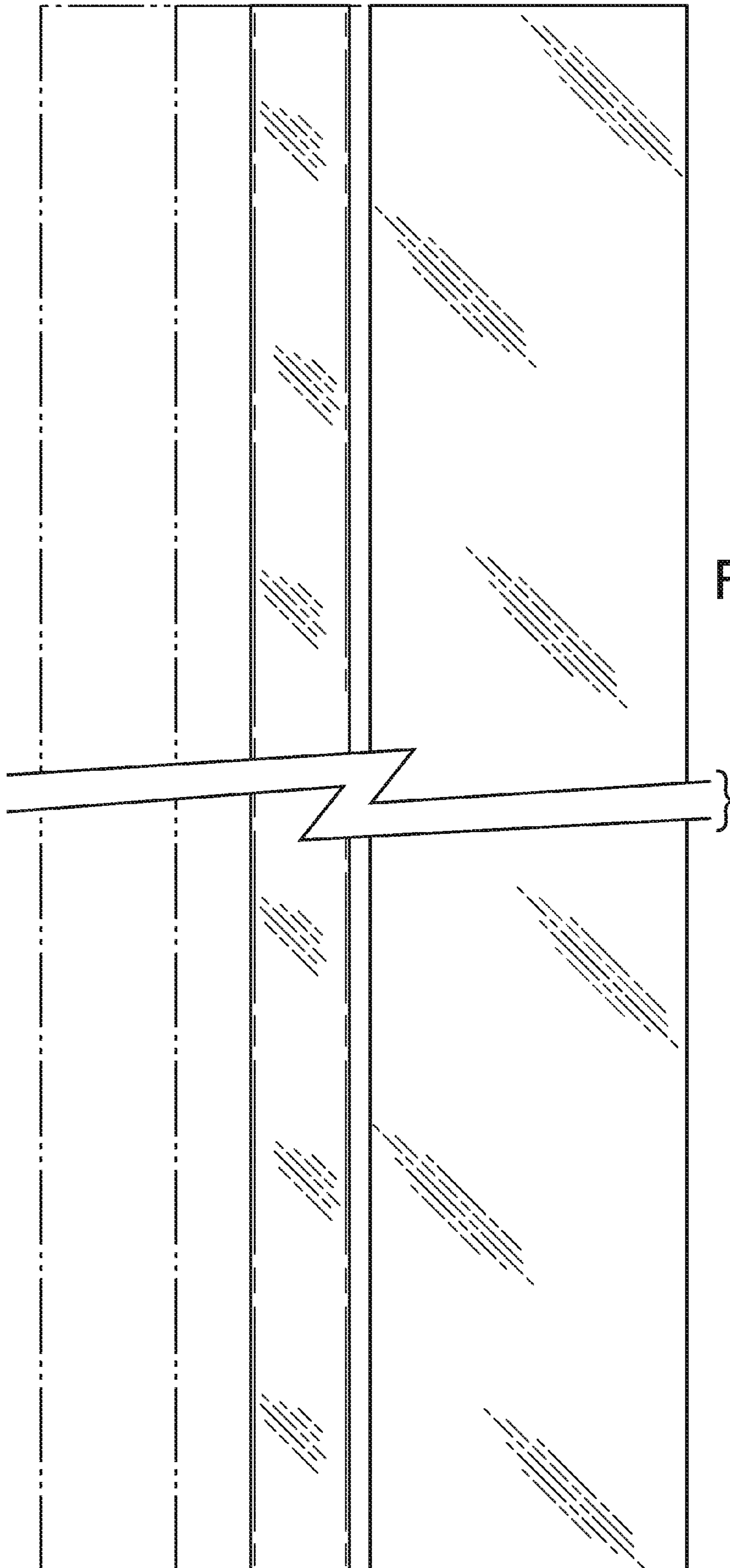


FIG. 5

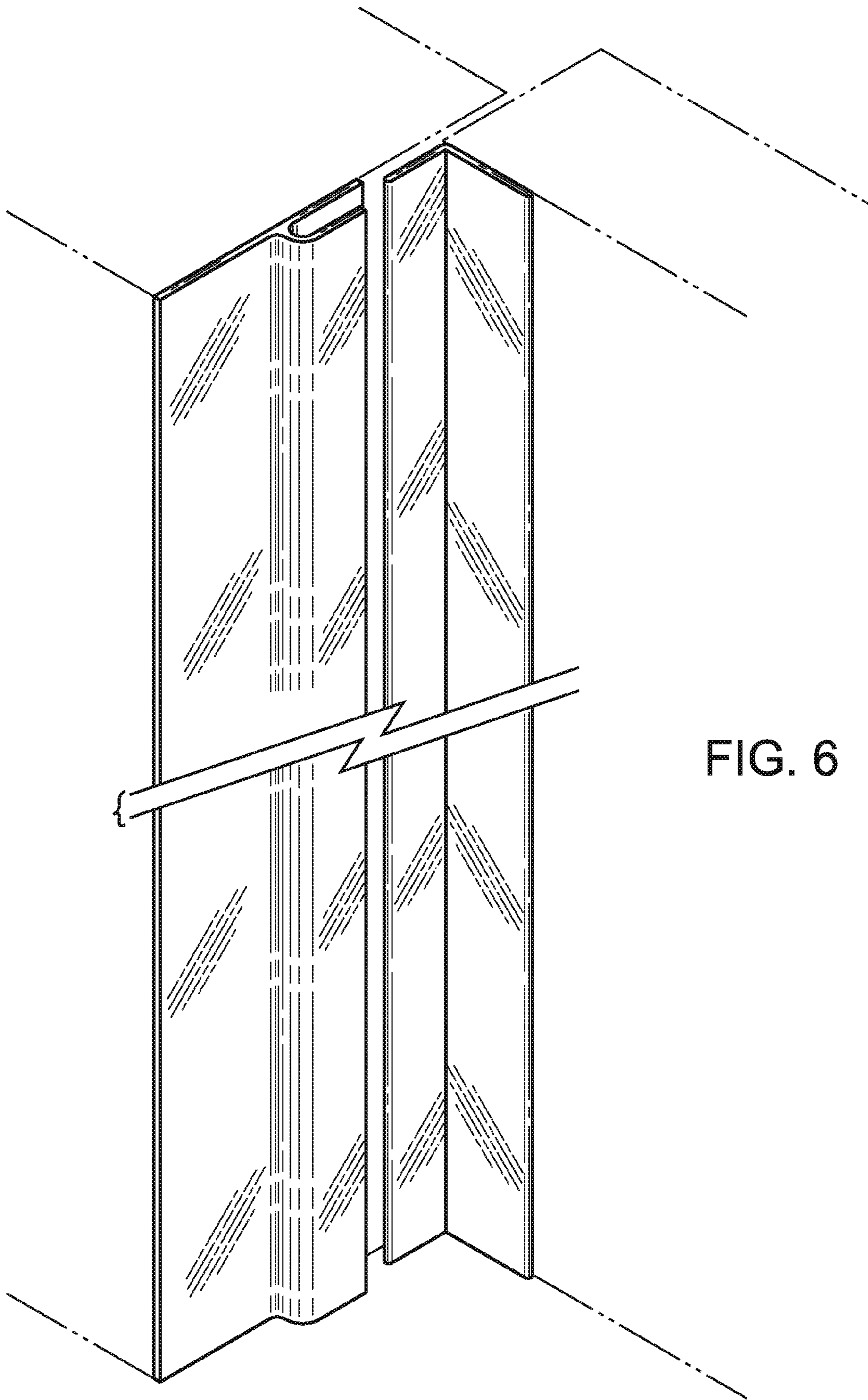


FIG. 6