

US00D616282S

(12) **United States Design Patent**
Cosby et al.

(10) **Patent No.:** **US D616,282 S**
(45) **Date of Patent:** **** May 25, 2010**

- (54) **HINGE**
- (75) Inventors: **Scott Anthony Cosby**, North Curl Curl (AU); **Clive Solari**, East Lindfield (AU); **Jonathan James Creswell Lowe**, Doonside (AU); **Samuel John Deslandes**, Bondi Beach (AU)
- (73) Assignee: **D&D Group Pty, Limited**, Brookvale, NSW (AU)

| | | | |
|---------------|---------|----------------|-----------------|
| 4,069,545 A | 1/1978 | Holet et al. | |
| 4,073,038 A | 2/1978 | Curry et al. | |
| 4,583,262 A | 4/1986 | Werner | |
| 4,751,765 A | 6/1988 | Wu | |
| 4,817,242 A | 4/1989 | Rapp | |
| 5,031,270 A | 7/1991 | Lee | |
| D335,718 S * | 5/1993 | Maglica et al. | D26/138 |
| D342,952 S * | 1/1994 | Yoder | D14/238 |
| 5,356,095 A * | 10/1994 | Aker | 244/172.6 |

(**) Term: **14 Years**

(21) Appl. No.: **29/321,547**

(22) Filed: **Jul. 18, 2008**

(30) **Foreign Application Priority Data**

Jan. 23, 2008 (AU) 10277/2008

(51) **LOC (9) Cl.** **08-06**

(52) **U.S. Cl.** **D8/323**

(58) **Field of Classification Search** D8/355,
D8/381, 323-330; 4/236, 240; D23/302;
16/309, 235, 275, 244, 379, 390, 430, 241,
16/238, 245, 236, 243, 242; 49/381
See application file for complete search history.

(56) **References Cited**

U.S. PATENT DOCUMENTS

| | | | |
|-------------|---------|-----------------|--------------|
| 29,212 A | 7/1860 | Acker | |
| 329,032 A | 10/1885 | Falls | |
| D32,818 S * | 6/1900 | Greenawalt | D8/327 |
| 754,690 A | 3/1904 | Pelzer | |
| 926,520 A | 6/1909 | Thornton et al. | |
| 2,203,197 A | 6/1940 | Henry | |
| 3,098,258 A | 7/1963 | Ruiz | |
| 3,316,582 A | 5/1967 | Johnston et al. | |
| 3,380,109 A | 4/1968 | Ruiz | |
| 3,778,866 A | 12/1973 | Nakanishi | |
| 3,825,973 A | 7/1974 | Gwozdz | |
| 3,903,567 A | 9/1975 | Suska | |
| 3,965,533 A | 6/1976 | Frohlich | |
| 3,978,551 A | 9/1976 | Mochizuki | |

(Continued)

FOREIGN PATENT DOCUMENTS

| | | |
|----|----------|--------|
| AU | 63251/60 | 5/1963 |
|----|----------|--------|

(Continued)

Primary Examiner—Robert M Spear
Assistant Examiner—Cynthia Underwood
(74) *Attorney, Agent, or Firm*—Fulwider Patton LLP

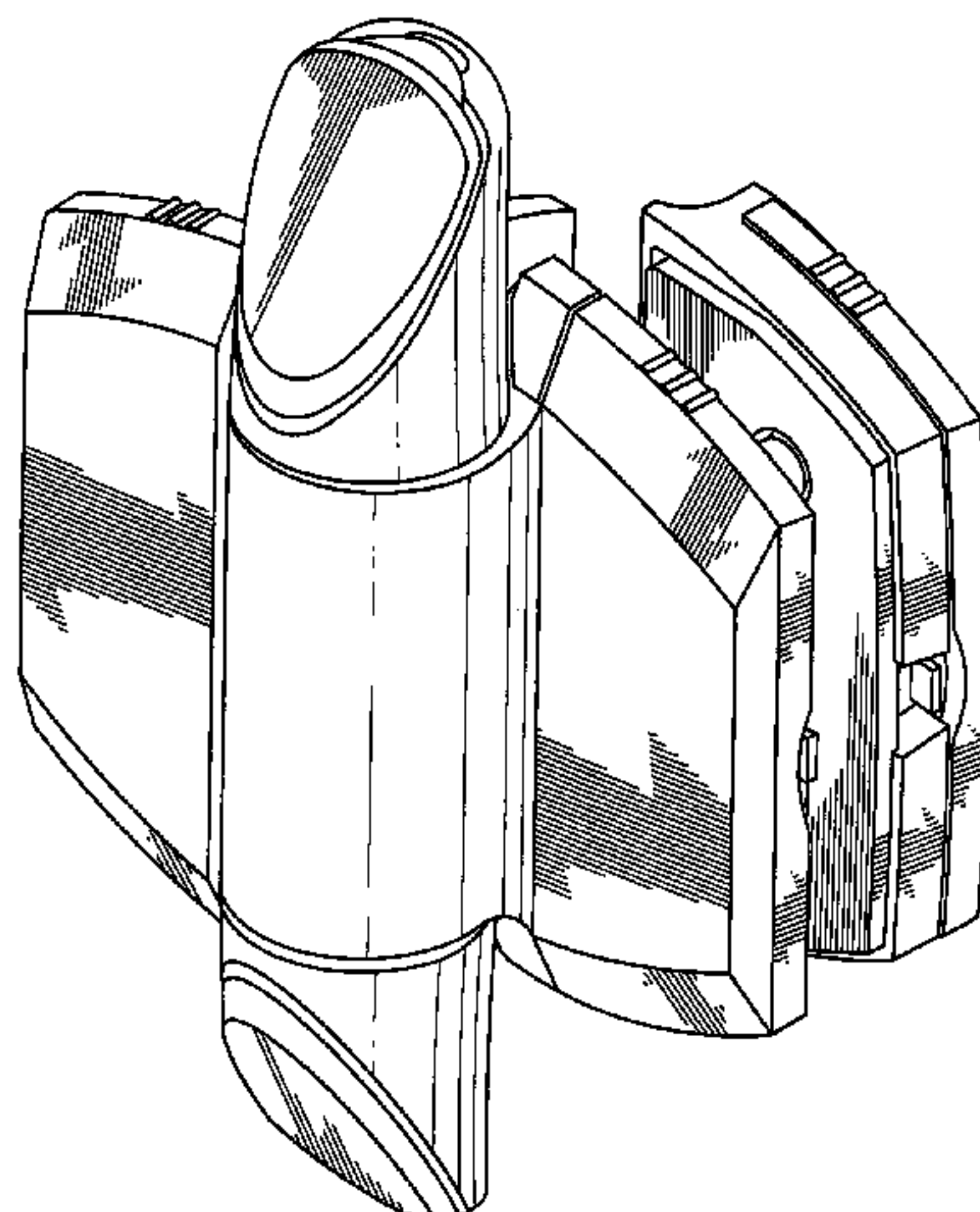
(57) **CLAIM**

The ornamental design for a hinge thereof, as shown and described.

DESCRIPTION

FIG. 1 is an isometric front view of the article;
FIG. 2 is a right side view of the article;
FIG. 3 is a left side view of the article;
FIG. 4 is a top view of the article.
FIG. 5 is a bottom view of the article;
FIG. 6 is a rear view of the article; and,
FIG. 7 is a front view of the article.

1 Claim, 7 Drawing Sheets



US D616,282 S

Page 2

U.S. PATENT DOCUMENTS

5,572,768 A 11/1996 Daul
5,584,100 A 12/1996 Doyle et al.
5,715,574 A 2/1998 Schall
D443,196 S * 6/2001 Sosa D8/323
D543,830 S * 6/2007 Frank et al. D8/323
7,240,400 B2 * 7/2007 Bonham 16/238
D548,044 S * 8/2007 Tang D8/343
D550,061 S * 9/2007 Tang D8/330
D552,448 S * 10/2007 Tang D8/330
D557,586 S * 12/2007 Shire et al. D8/327
D595,569 S * 7/2009 Darling, III D8/396

2004/0093689 A1* 5/2004 Sosa et al. 16/301

FOREIGN PATENT DOCUMENTS

DE 1961736 6/1971
DE 3313220 A1 10/1984
GB 029217 9/1931
GB 759211 10/1956
GB 1382227 1/1975
JP 01-198983 8/1989
JP 03-172482 7/1991

* cited by examiner

FIG. 1

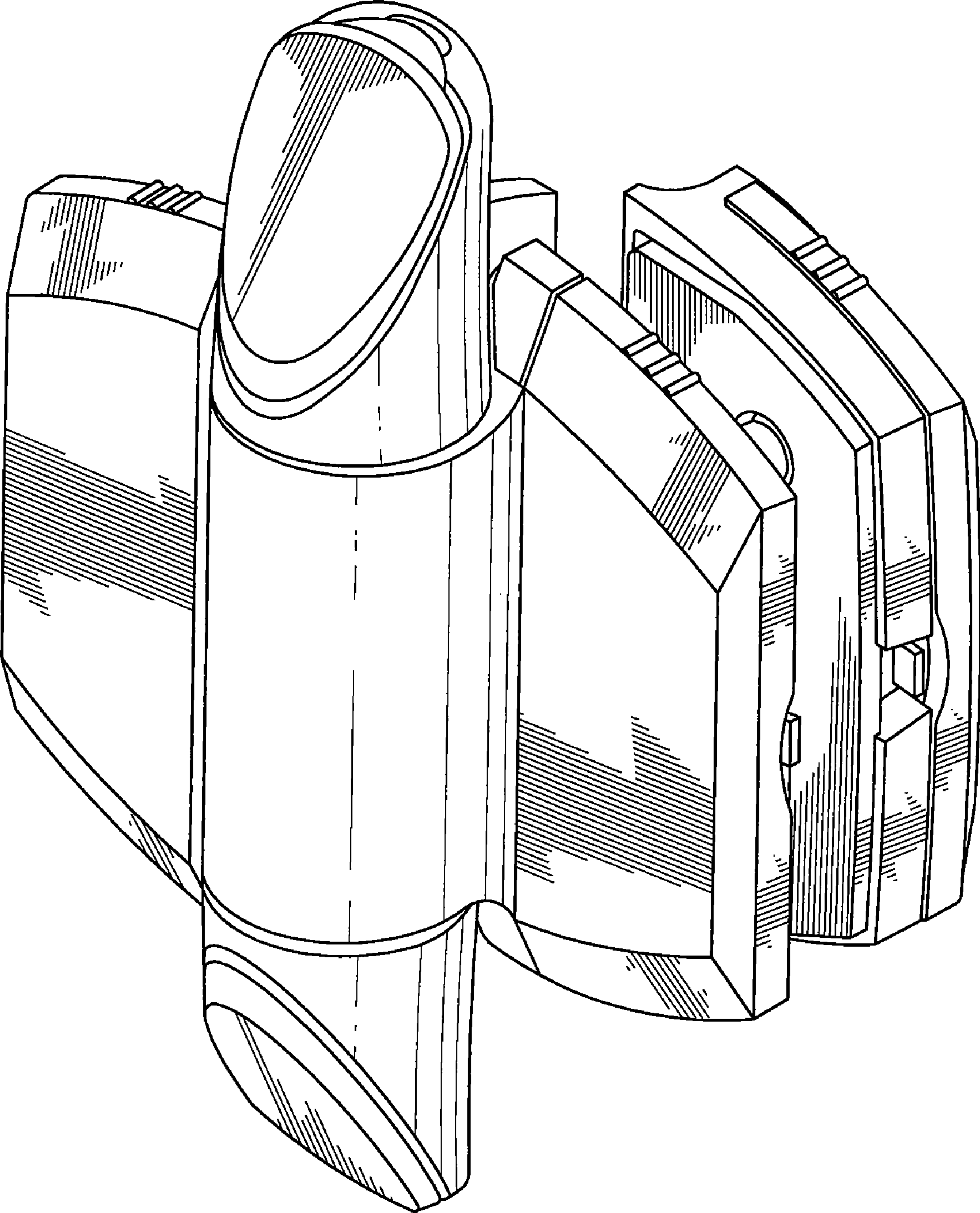


FIG. 2

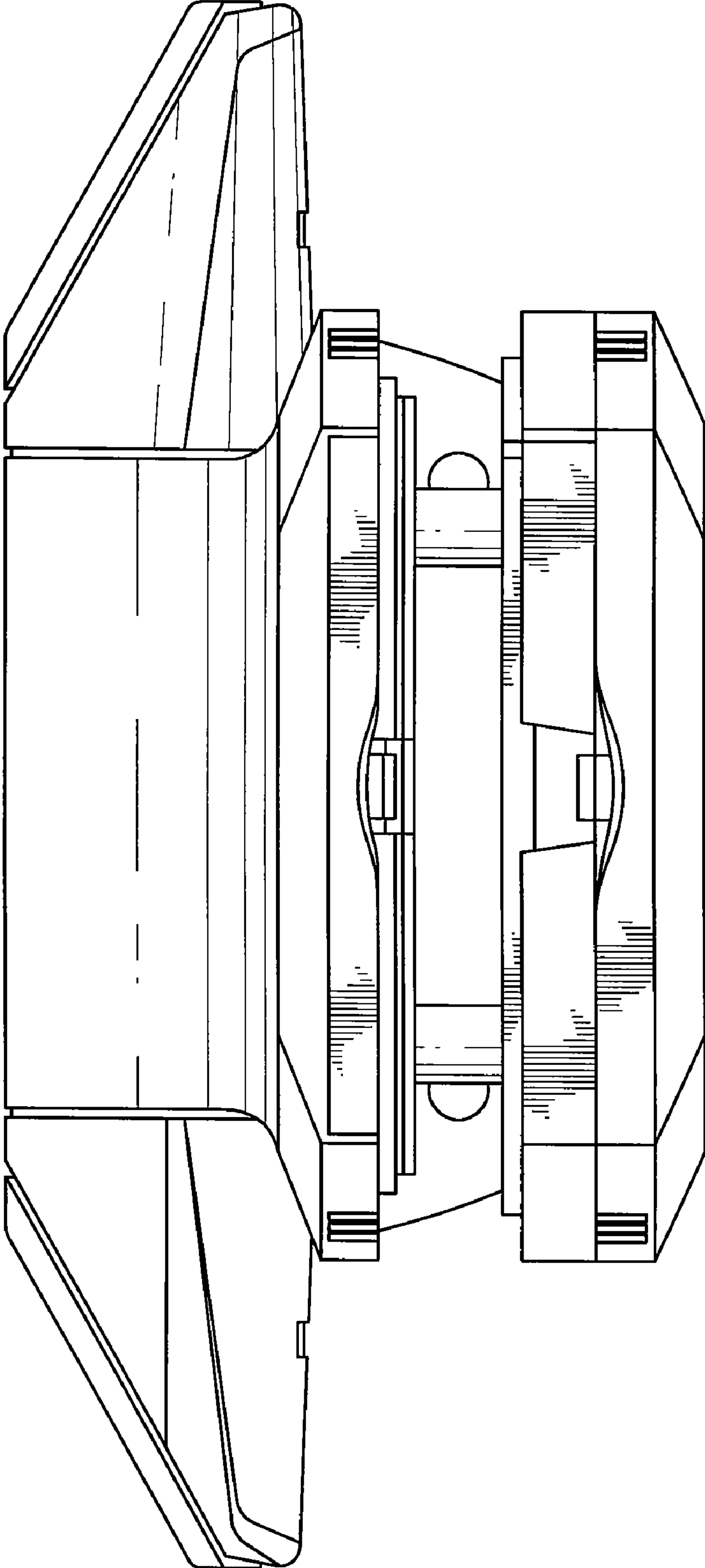


FIG. 3

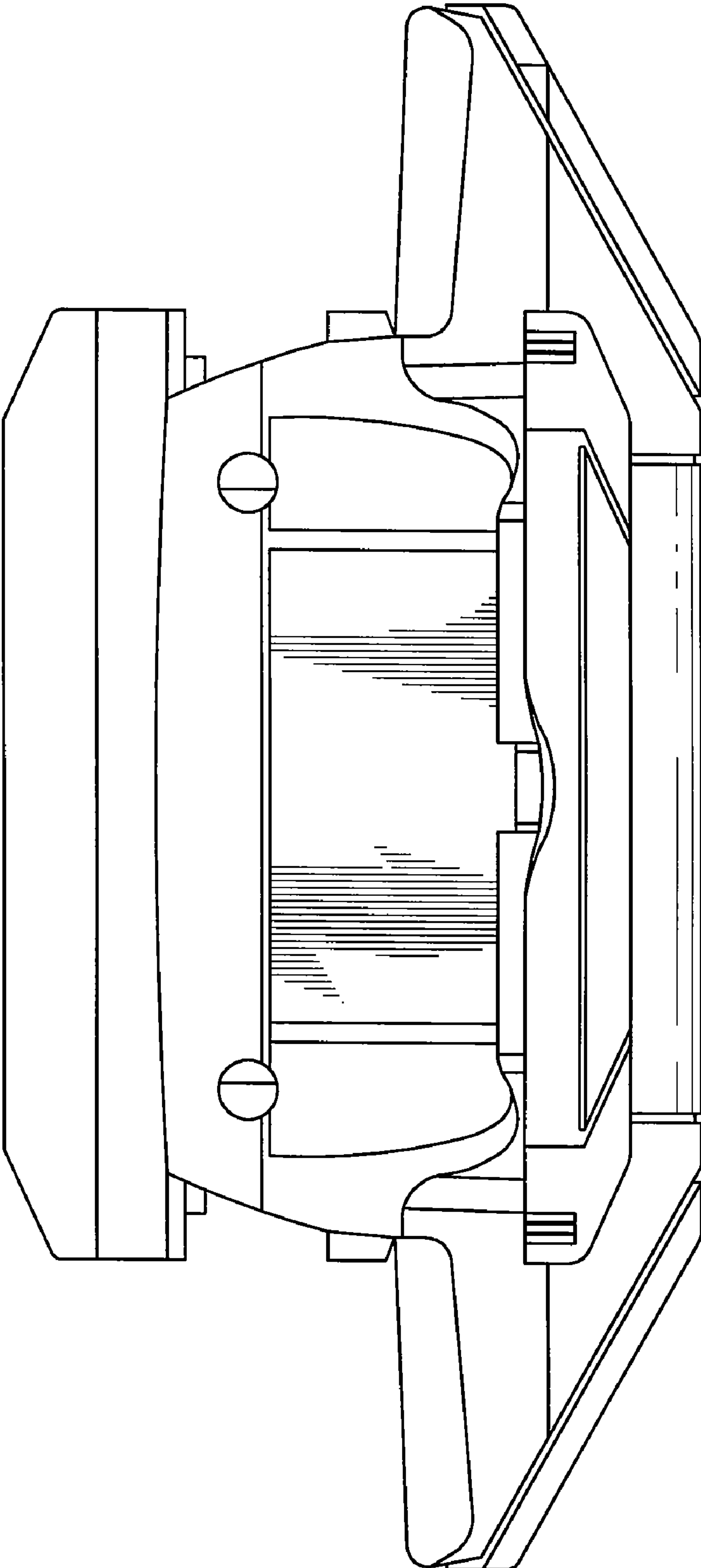


FIG. 4

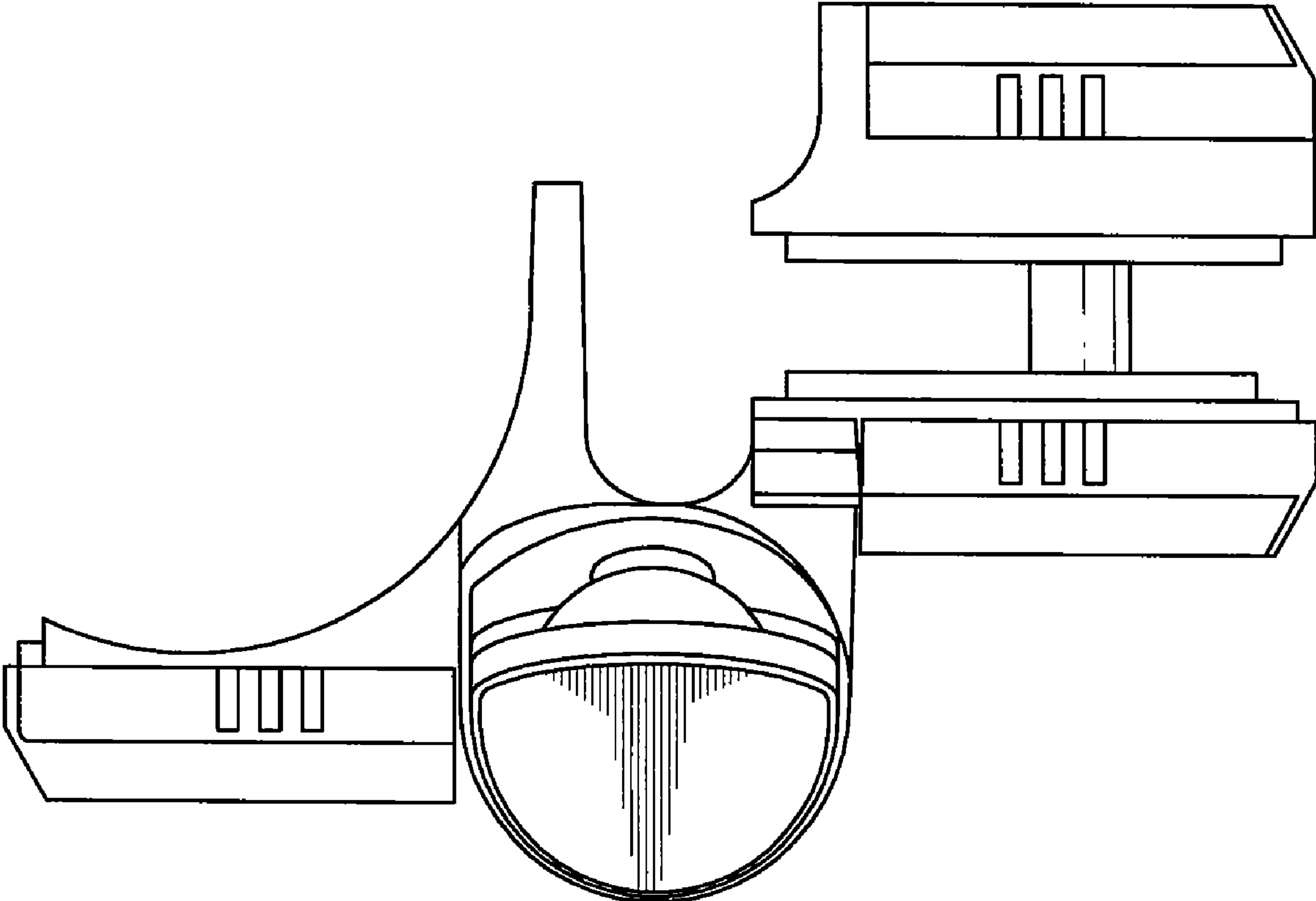


FIG. 5

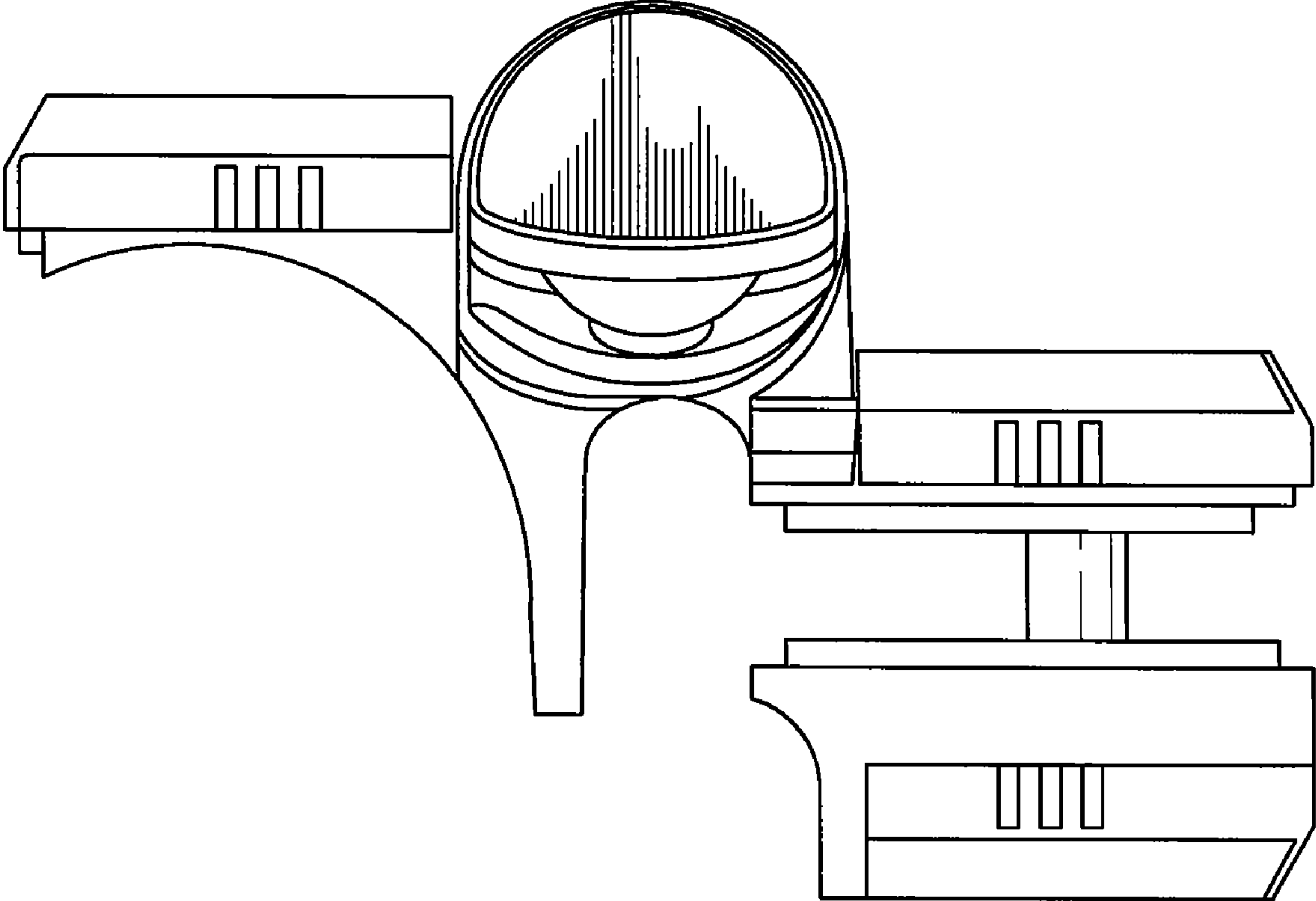


FIG. 6

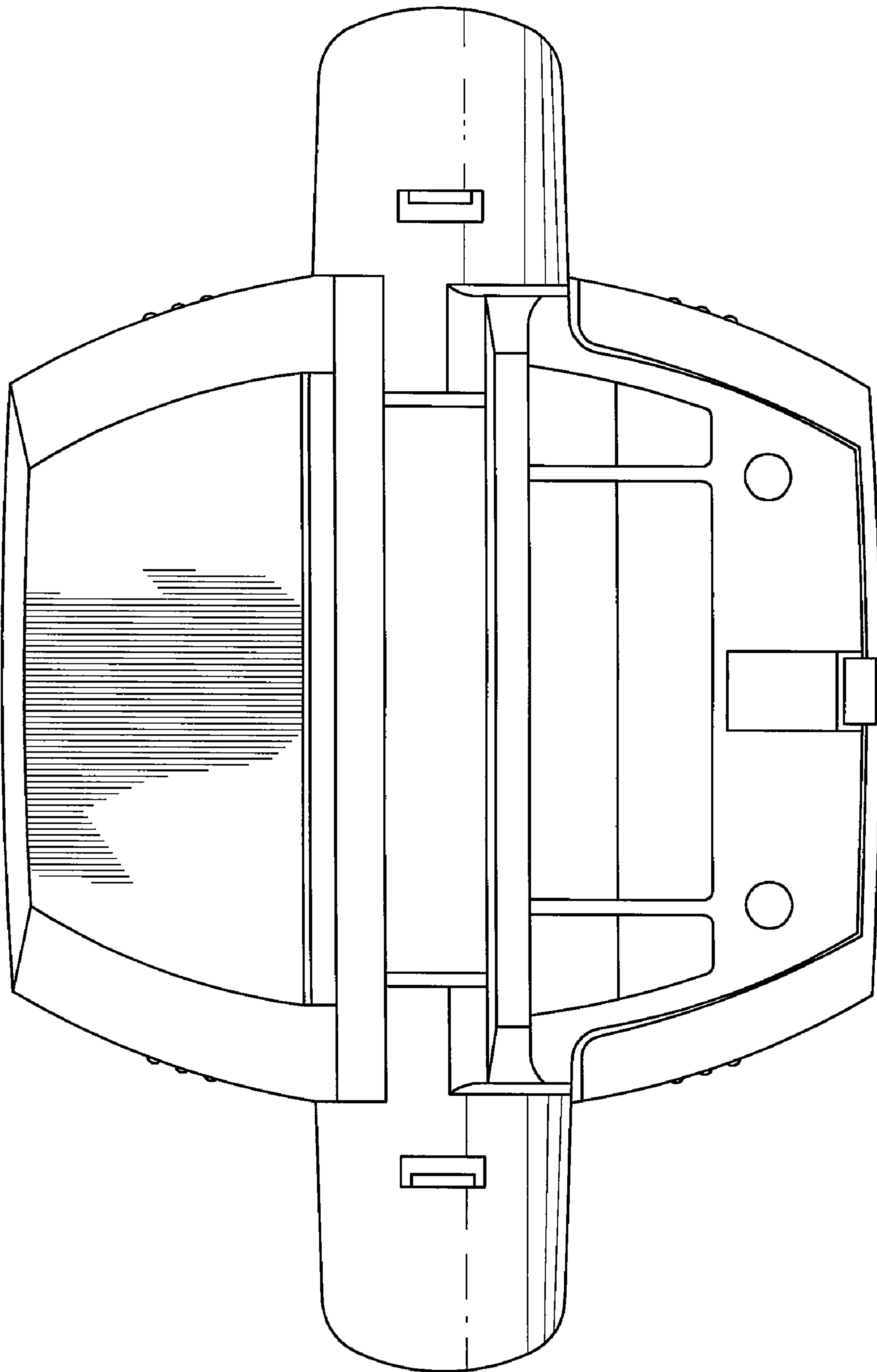


FIG. 7

