



US00D616281S

(12) **United States Design Patent**
Eng

(10) **Patent No.:** **US D616,281 S**
(45) **Date of Patent:** **** May 25, 2010**

(54) **RACK HANDLE**

(75) Inventor: **Lindsay Eng**, New Bern, NC (US)

(73) Assignee: **BSH Home Appliances Corporation**,
Huntington Beach, CA (US)

(**) Term: **14 Years**

(21) Appl. No.: **29/339,317**

(22) Filed: **Jun. 29, 2009**

(51) **LOC (9) Cl.** **08-06**

(52) **U.S. Cl.** **D8/300**

(58) **Field of Classification Search** D8/300,
D8/301, 302, 306, 313, 319, 320, DIG. 1,
D8/DIG. 2; 16/110.1, 412, 415, 416, 436,
16/438, DIG. 12, DIG. 18; 292/336.3, 113,
292/128, DIG. 30; 70/81, 208, 213; 312/348.6
See application file for complete search history.

(56) **References Cited**

U.S. PATENT DOCUMENTS

D153,835 S *	5/1949	Sundberg et al.	D8/313
D169,532 S *	5/1953	Deadrick	D8/319
D187,319 S *	2/1960	Jakeway	D8/313
D230,252 S *	2/1974	Wilkes et al.	D8/306
4,040,695 A *	8/1977	Brann	312/348.6
4,648,637 A *	3/1987	Walter	292/128
6,152,501 A *	11/2000	Magi et al.	292/336.3
D604,141 S *	11/2009	Reed et al.	D8/313

* cited by examiner

Primary Examiner—Paula Greene

(74) *Attorney, Agent, or Firm*—James E. Howard; Andre Pallapies

(57) **CLAIM**

The ornamental design for a rack handle, as shown and described.

DESCRIPTION

FIG. 1 is a front perspective view from the top, right side of a rack handle of the first embodiment showing my new design;

FIG. 2 is a front view thereof;

FIG. 3 is a rear view thereof;

FIG. 4 is a top view thereof;

FIG. 5 is a bottom view thereof;

FIG. 6 is a left side view thereof, with the right side view thereof being a mirror image thereof;

FIG. 7 is a rear perspective view thereof, from the top, right side thereof;

FIG. 8 is a reference view thereof, shown with portions of a rack in broken lines;

FIG. 9 is a front perspective view from the top, right side of a rack handle of the second embodiment showing my new design;

FIG. 10 is a front view thereof;

FIG. 11 is a rear view thereof;

FIG. 12 is a top view thereof;

FIG. 13 is a bottom view thereof;

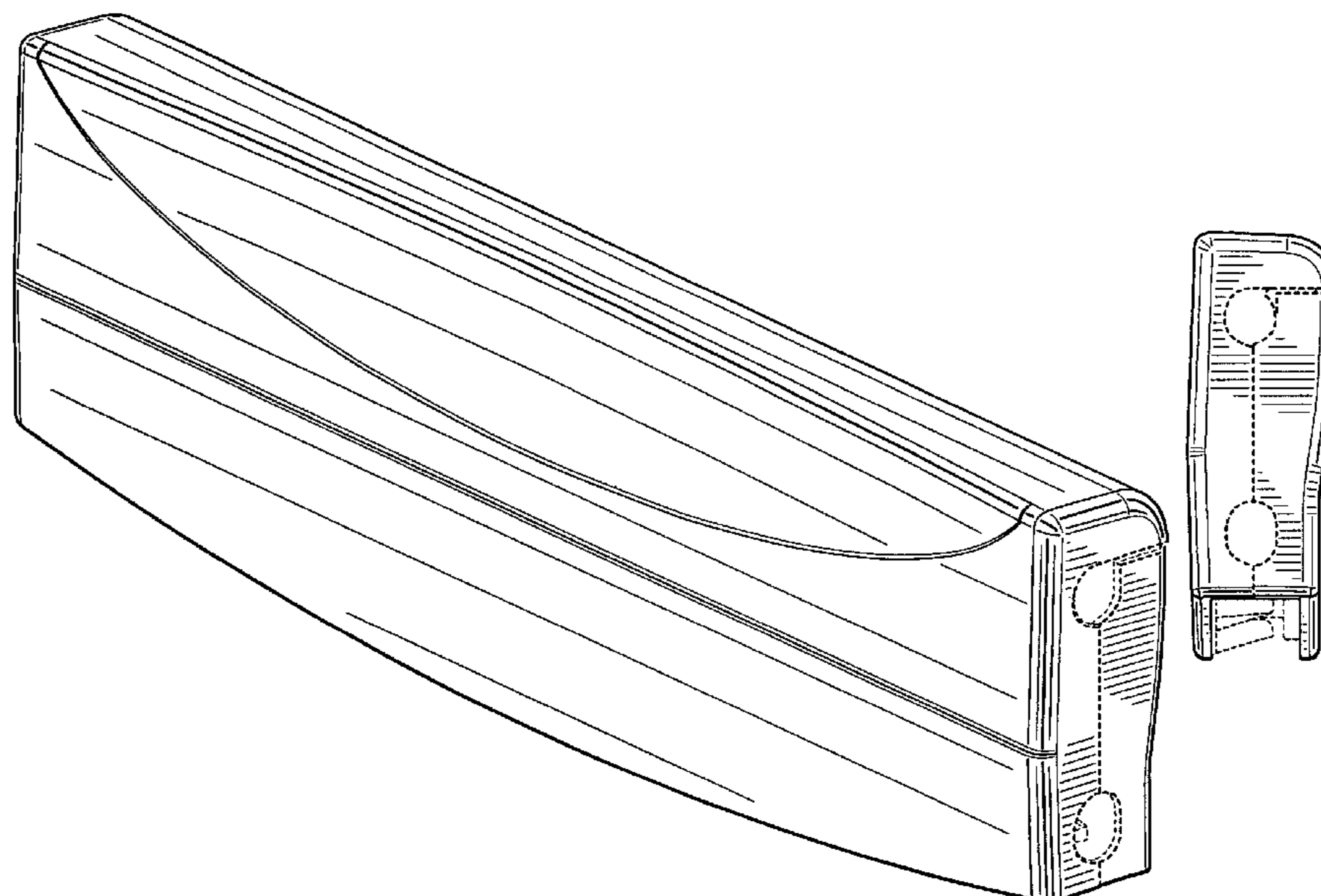
FIG. 14 is a left side view thereof, with the right side view thereof being a mirror image thereof;

FIG. 15 is a rear perspective view thereof, from the top, right side thereof; and,

FIG. 16 is a reference view thereof, shown with portions of a rack in broken lines.

The broken lines represent environment or structure and do not form any part of the claimed design.

1 Claim, 14 Drawing Sheets



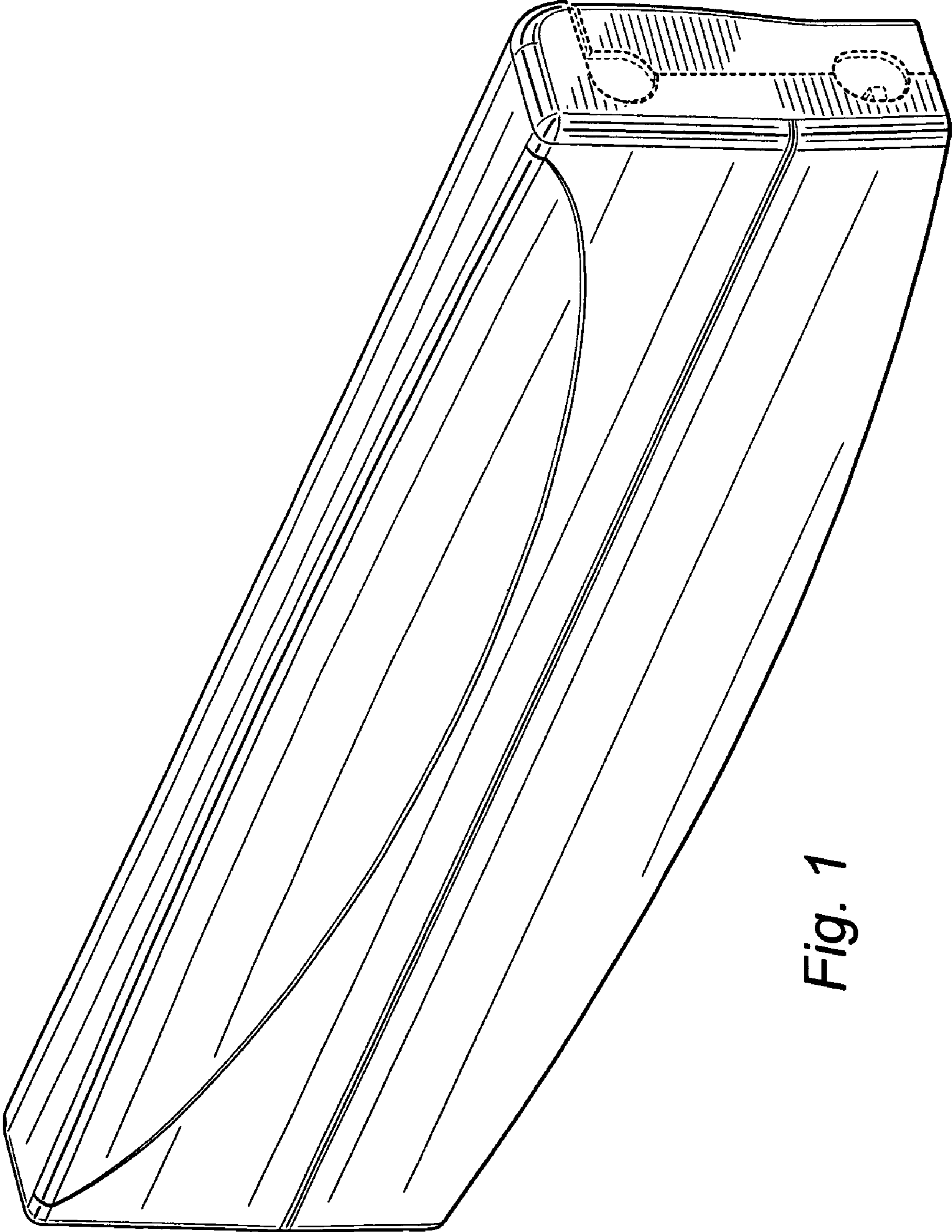


Fig. 1

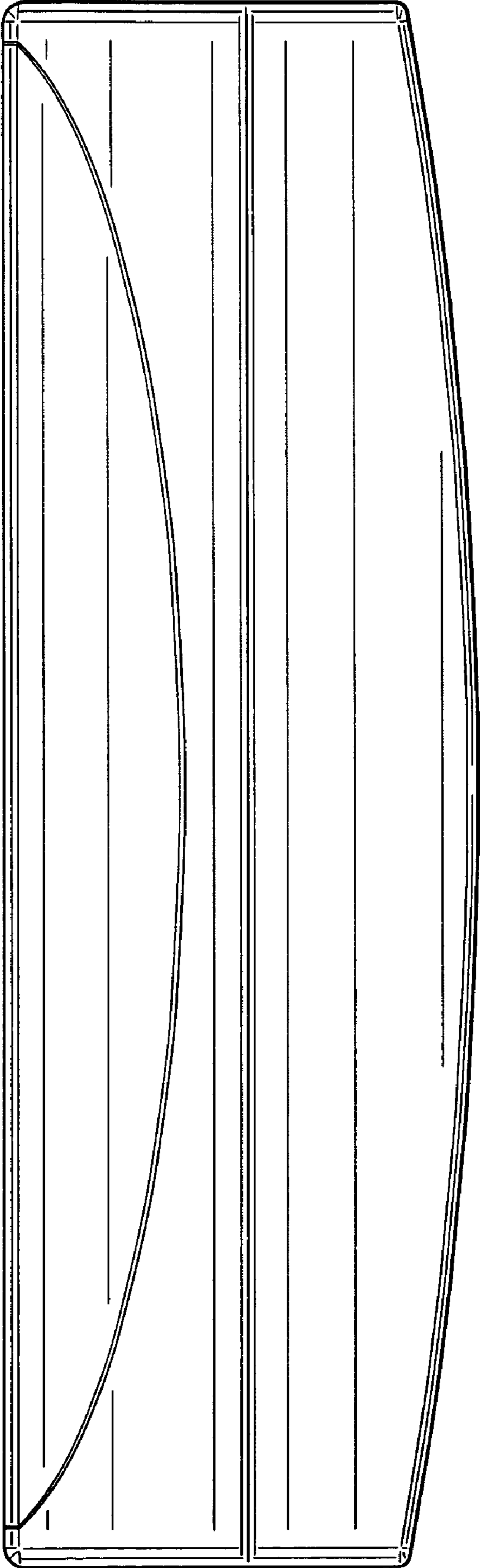


Fig. 2

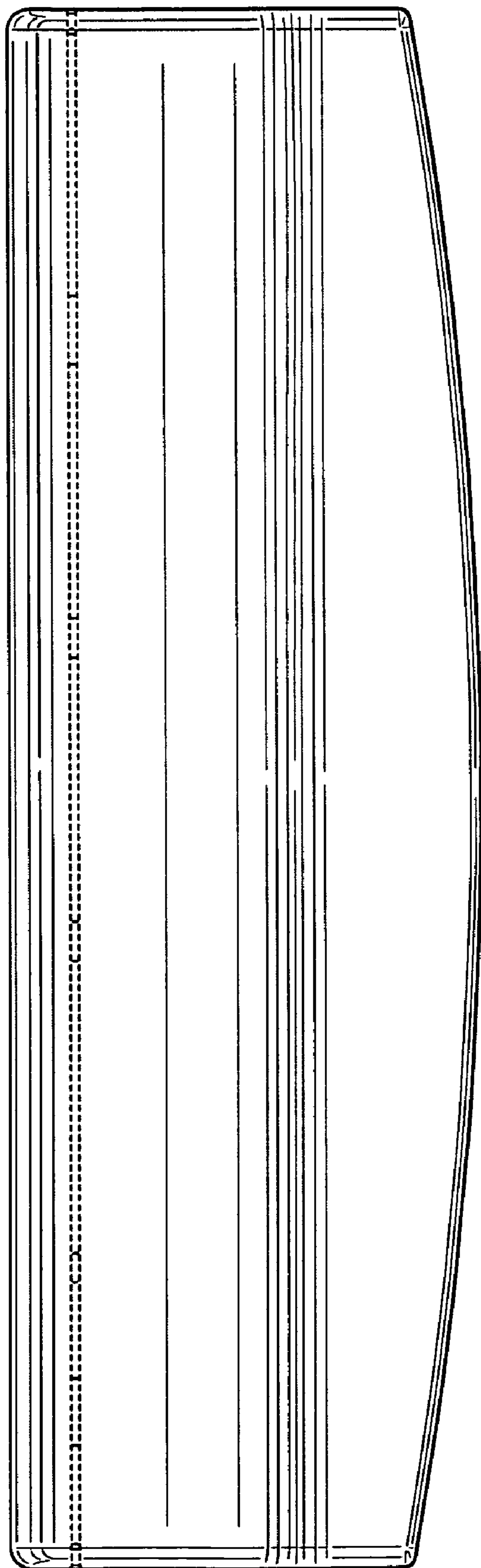


Fig. 3

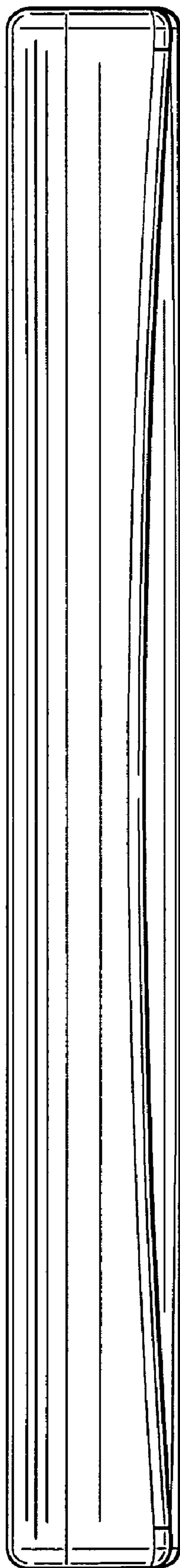


Fig. 4

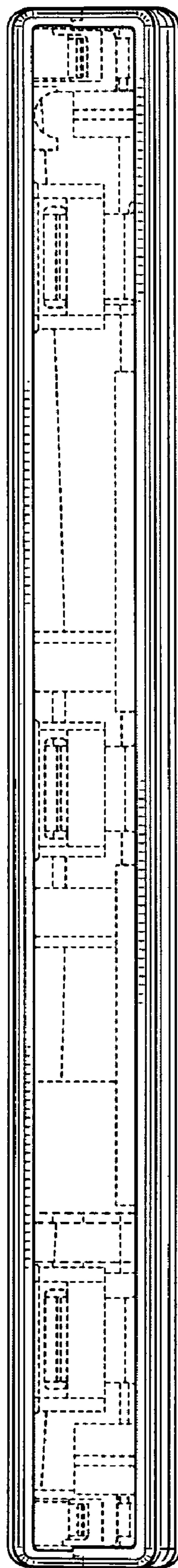


Fig. 5

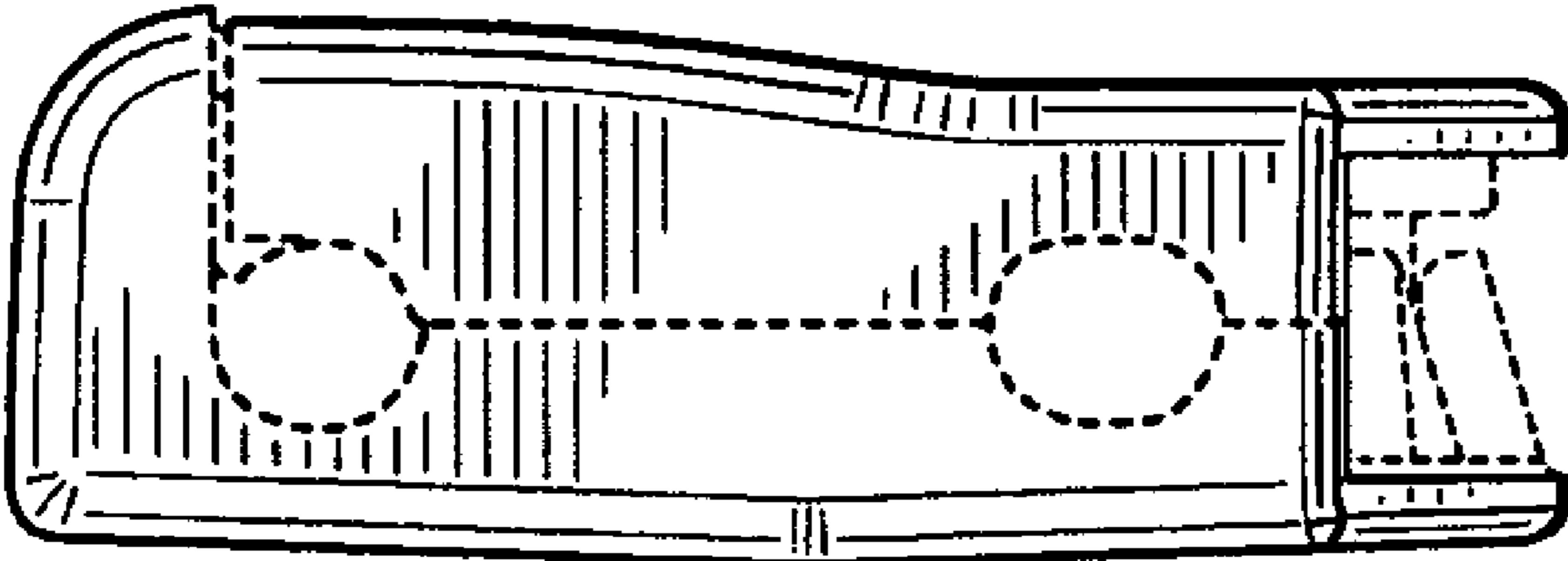


Fig. 6

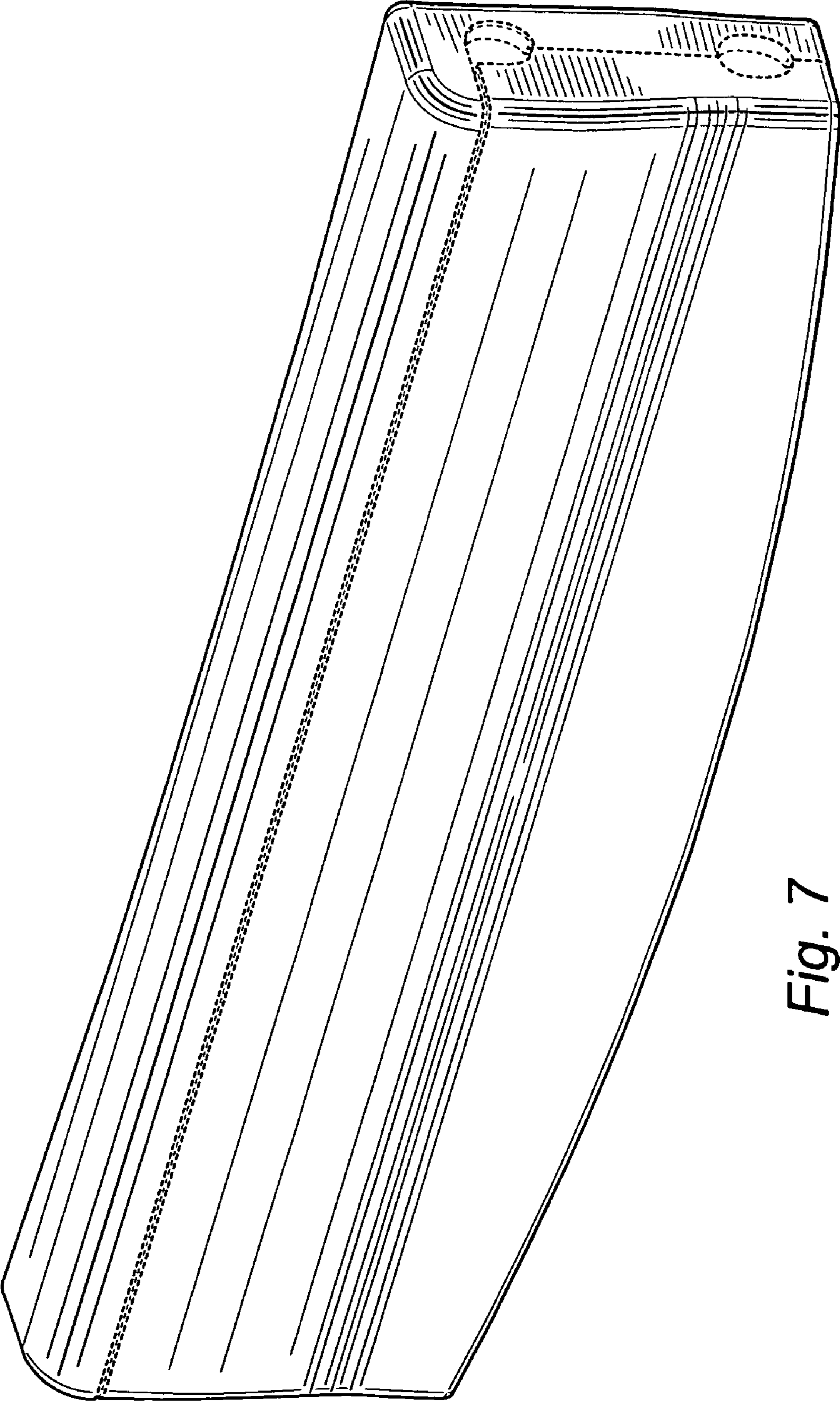


Fig. 7

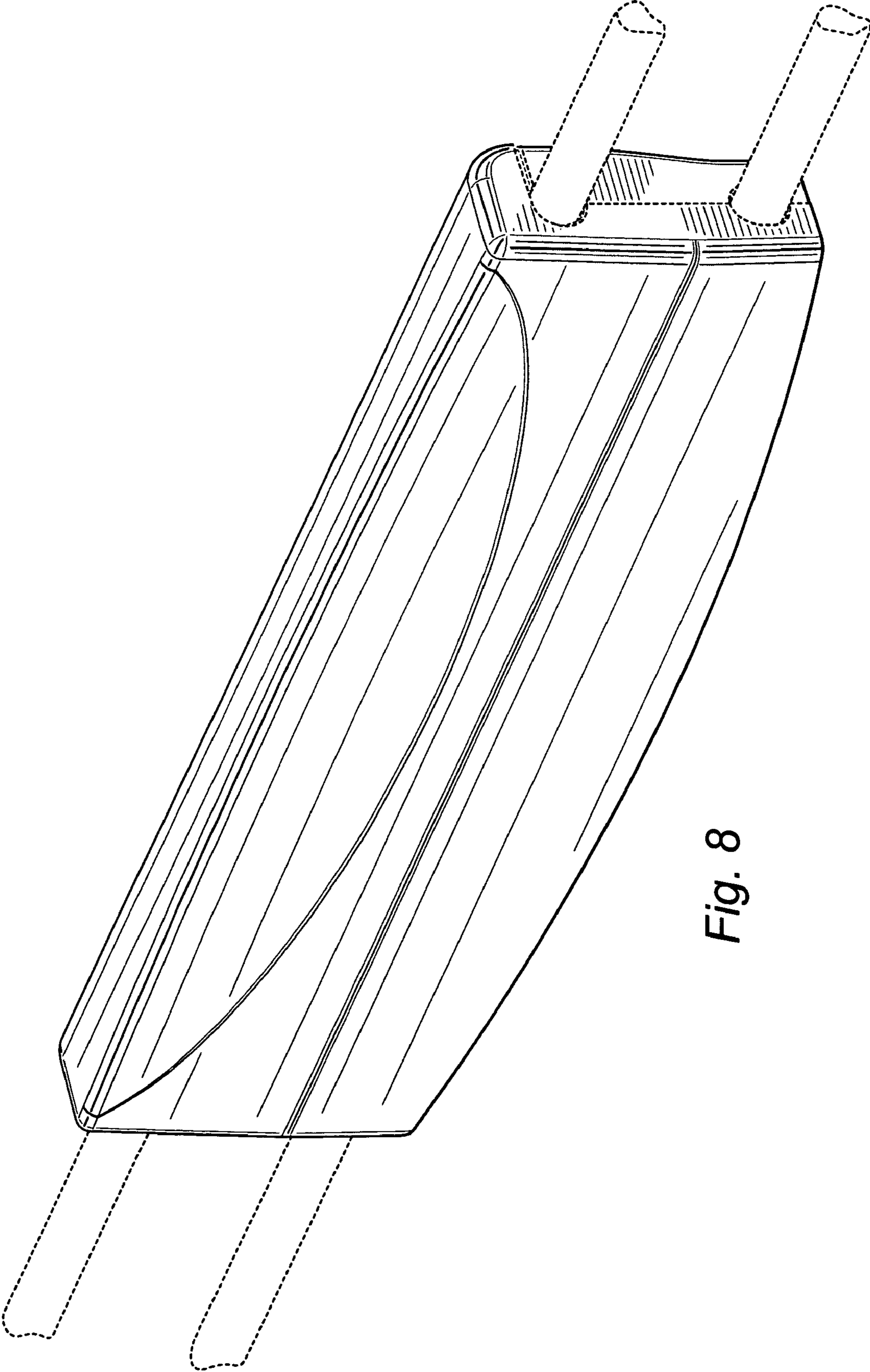


Fig. 8

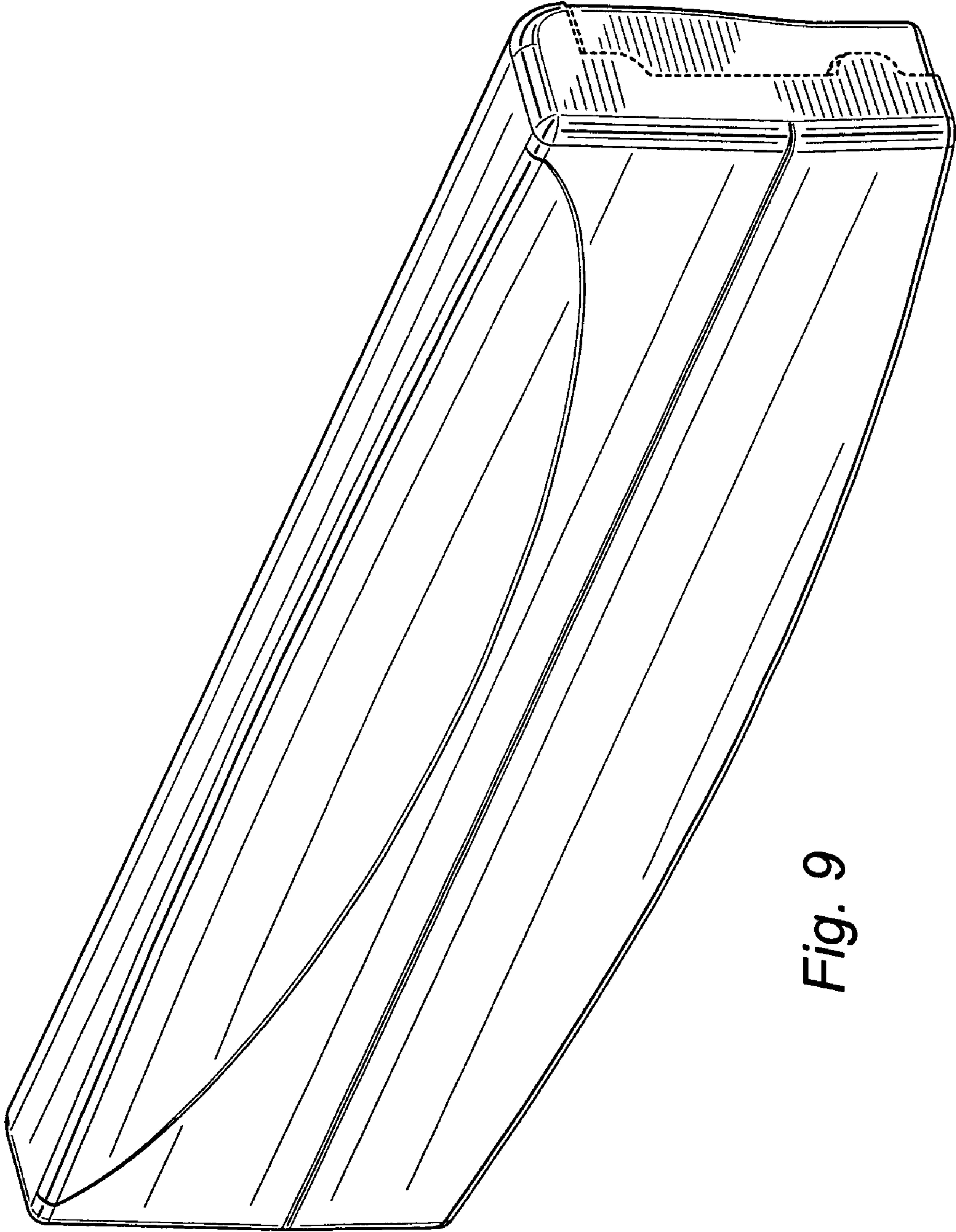


Fig. 9

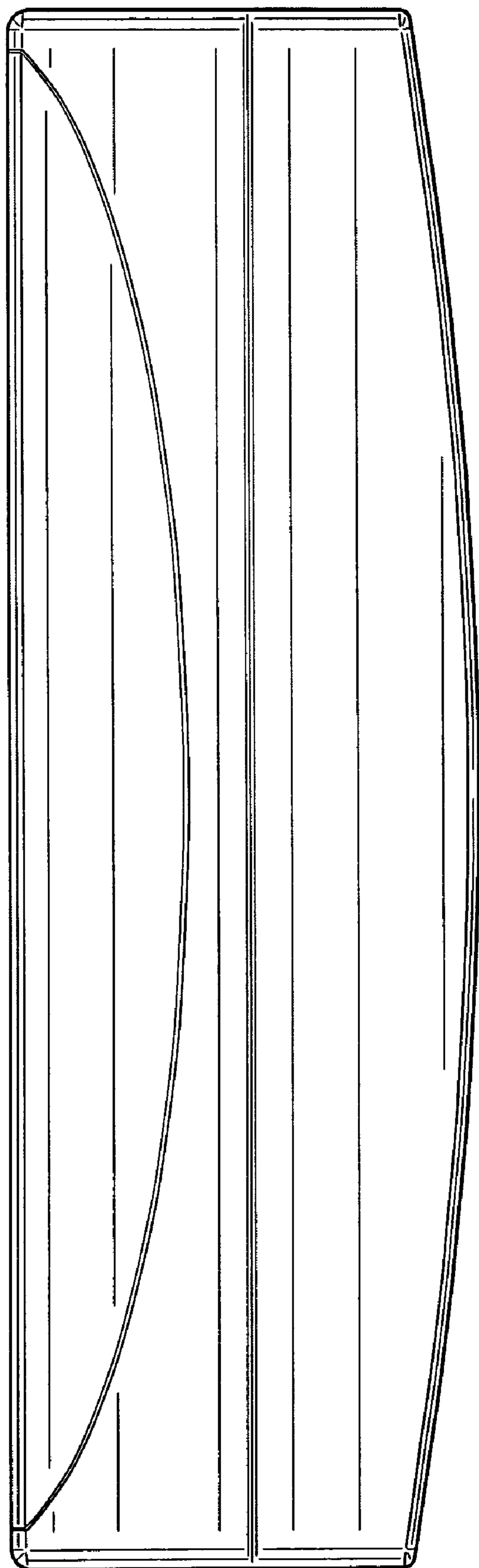


Fig. 10

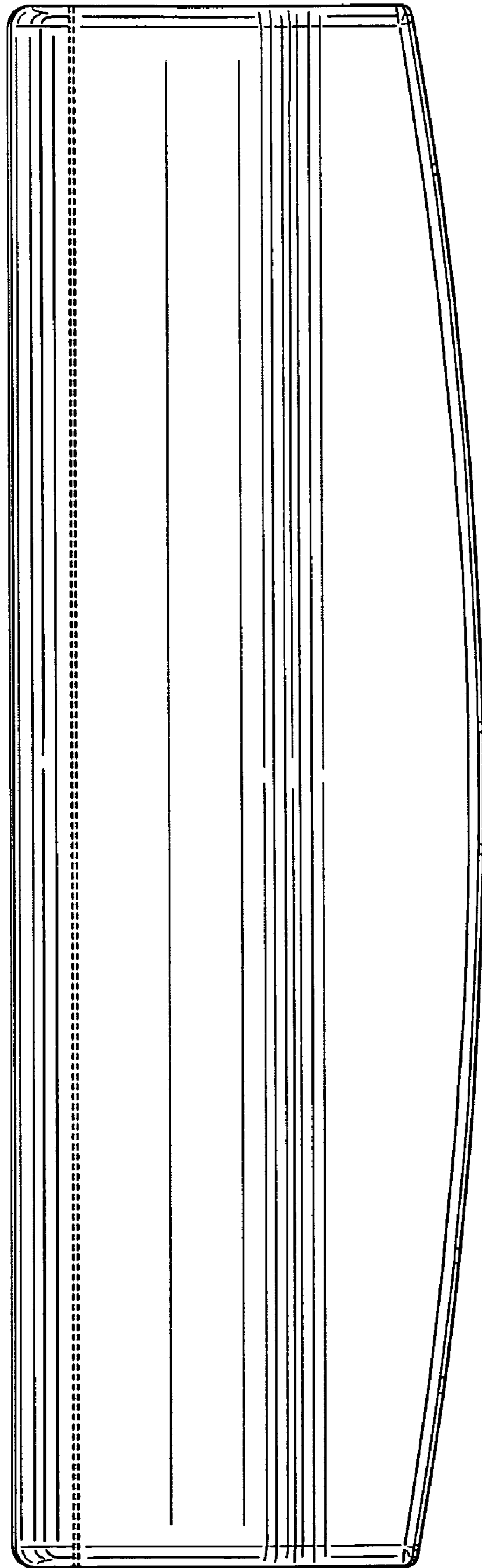


Fig. 11

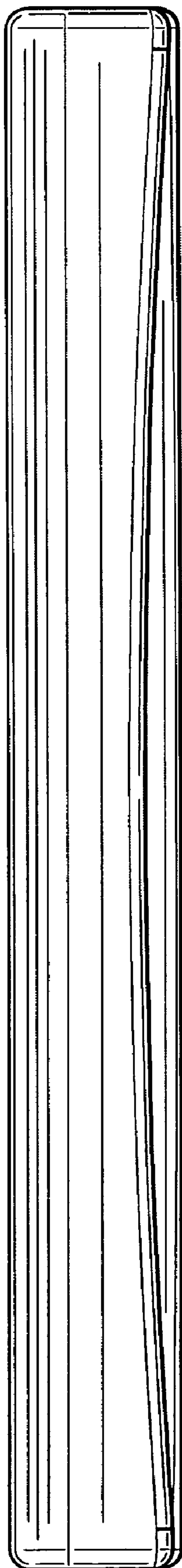


Fig. 12

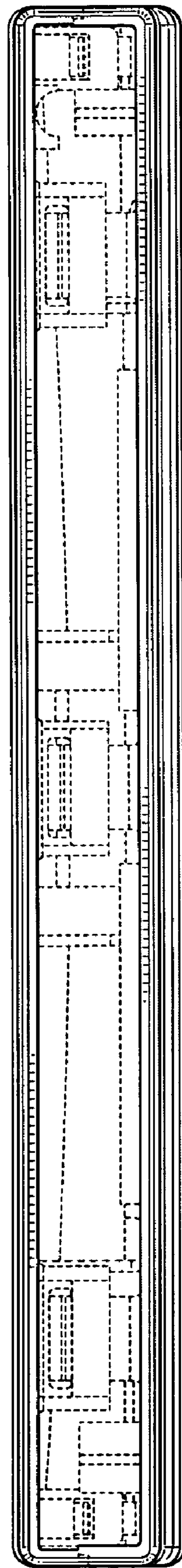


Fig. 13

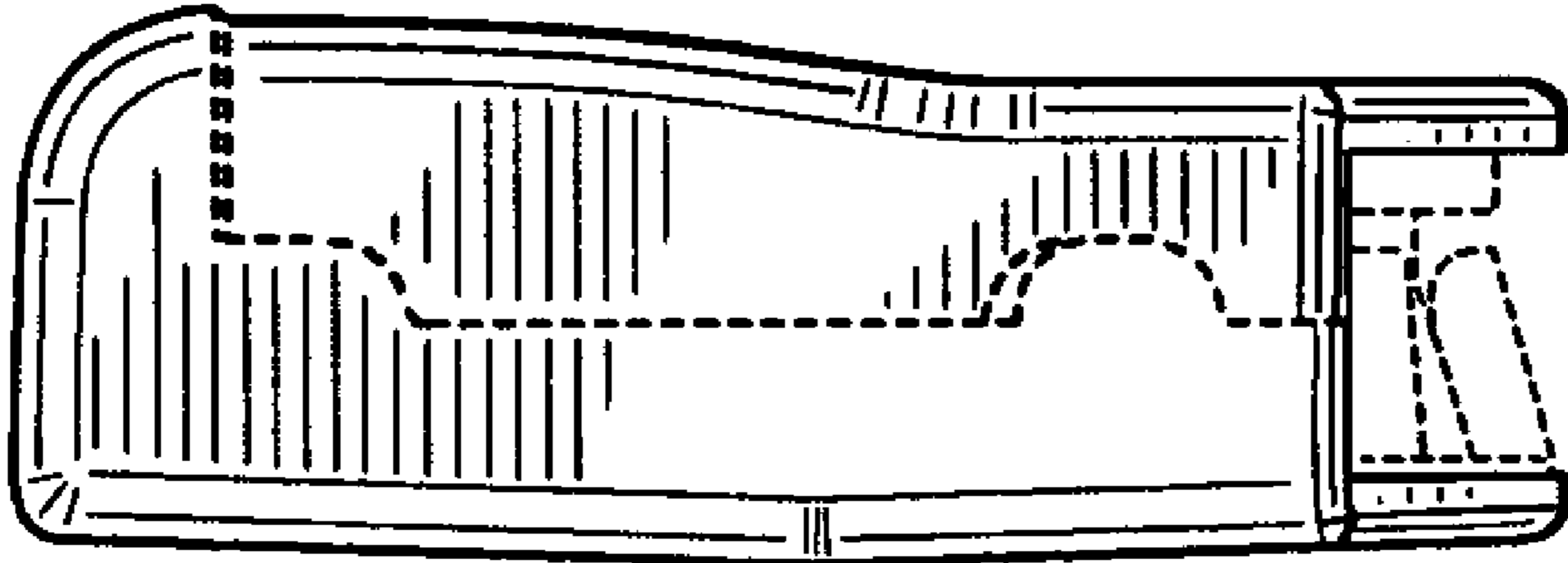


Fig. 14

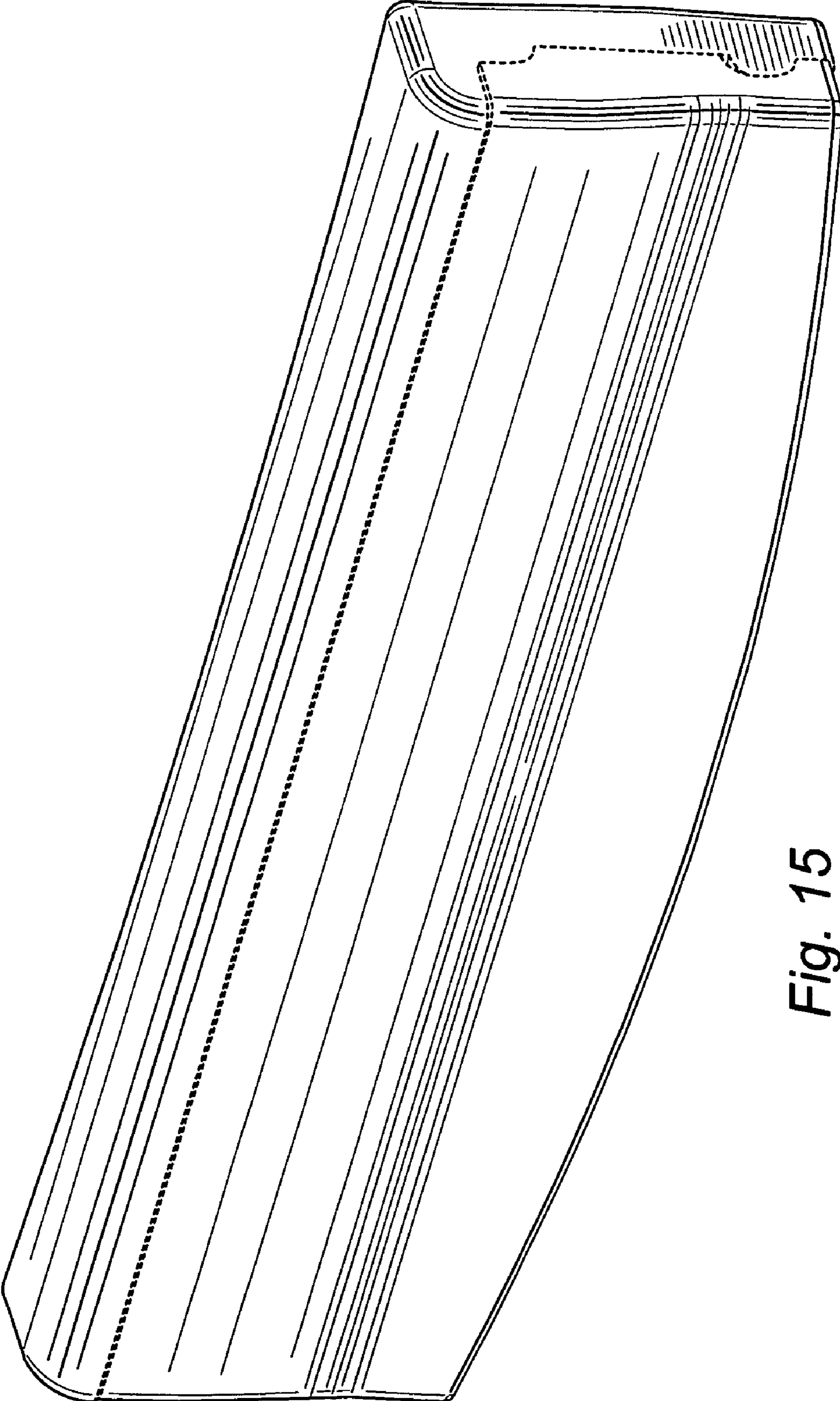


Fig. 15

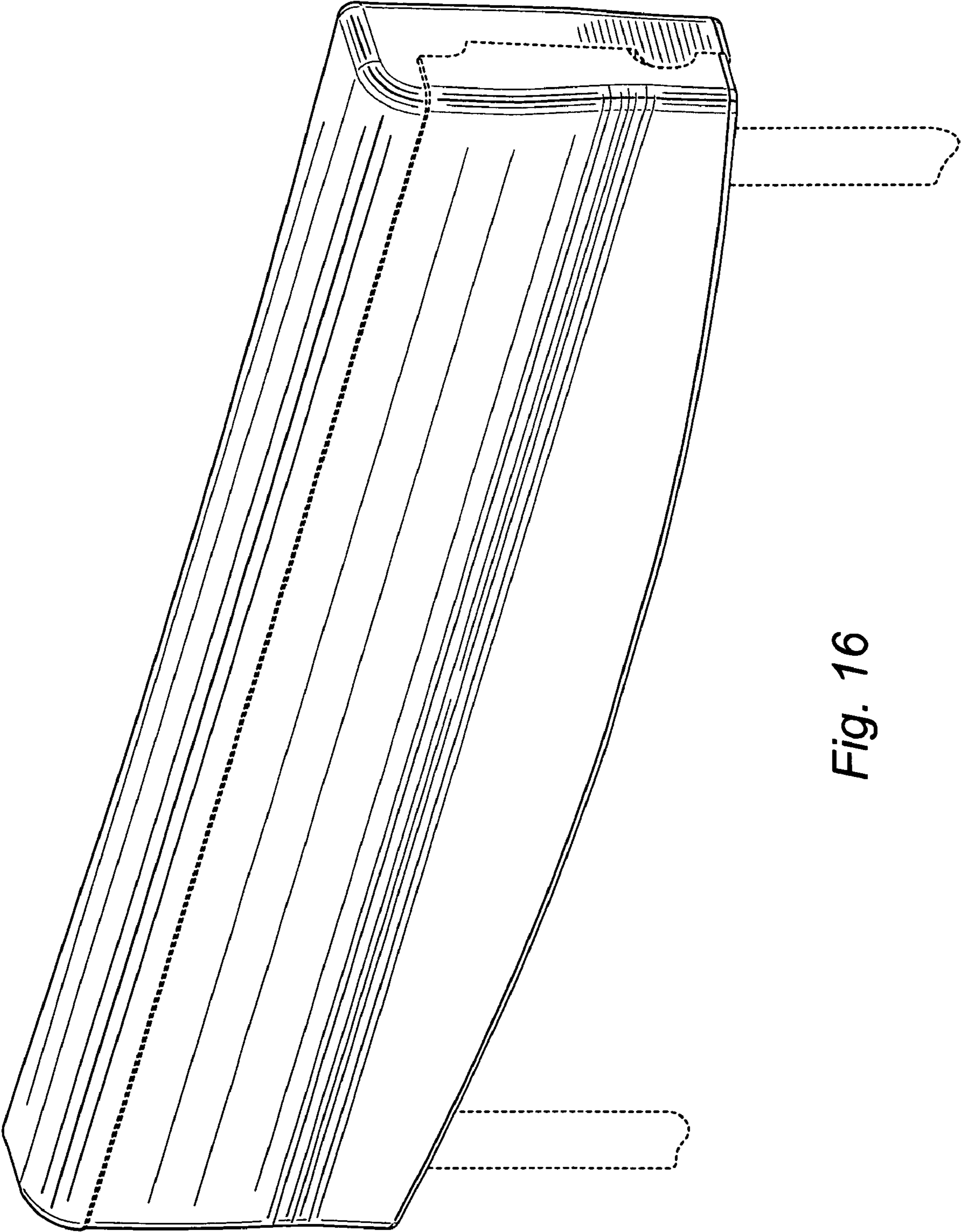


Fig. 16