



US00D616277S

(12) **United States Design Patent**
Molina et al.

(10) **Patent No.:** **US D616,277 S**
(45) **Date of Patent:** **** May 25, 2010**

(54) **SLOTTED SCREWDRIVER**

(75) Inventors: **Francisco Molina**, Davie, FL (US);
Glenn Robinson, Coral Springs, FL
(US)

(73) Assignee: **IBT Holdings, LLC**, Deerfield Beach,
FL (US)

(**) Term: **14 Years**

(21) Appl. No.: **29/350,682**

(22) Filed: **Nov. 20, 2009**

(51) **LOC (9) Cl.** **08-04**

(52) **U.S. Cl.** **D8/82**

(58) **Field of Classification Search** D8/82-87,
D8/107; 16/110.1; 81/177.1, 177.4, 436-440,
81/489

See application file for complete search history.

(56) **References Cited**

U.S. PATENT DOCUMENTS

D414,095 S * 9/1999 Hoepfl et al. D8/83
5,964,009 A * 10/1999 Hoepfl et al. 16/430
D486,717 S * 2/2004 Chen D8/107
D519,349 S * 4/2006 Chen D8/83
D520,325 S * 5/2006 Su D8/83

D523,234 S * 6/2006 DeBoer et al. D8/87
7,086,109 B2 * 8/2006 Fisher et al. 7/165
D534,411 S * 1/2007 Kuo D8/107
D554,967 S * 11/2007 Lin D8/107

* cited by examiner

Primary Examiner—Philip S Hyder
Assistant Examiner—Roselynn Cody

(74) *Attorney, Agent, or Firm*—Steven M. Greenberg, Esq.;
Carey, Rodriguez, Greenberg & Paul, LLP

(57) **CLAIM**

The ornamental design for a slotted screwdriver, as shown
and described.

DESCRIPTION

FIG. 1 is a front, right, bottom perspective of the screwdriver
thereof.

FIG. 2 is a front view of the screwdriver thereof.

FIG. 3 is a rear view of the screwdriver thereof.

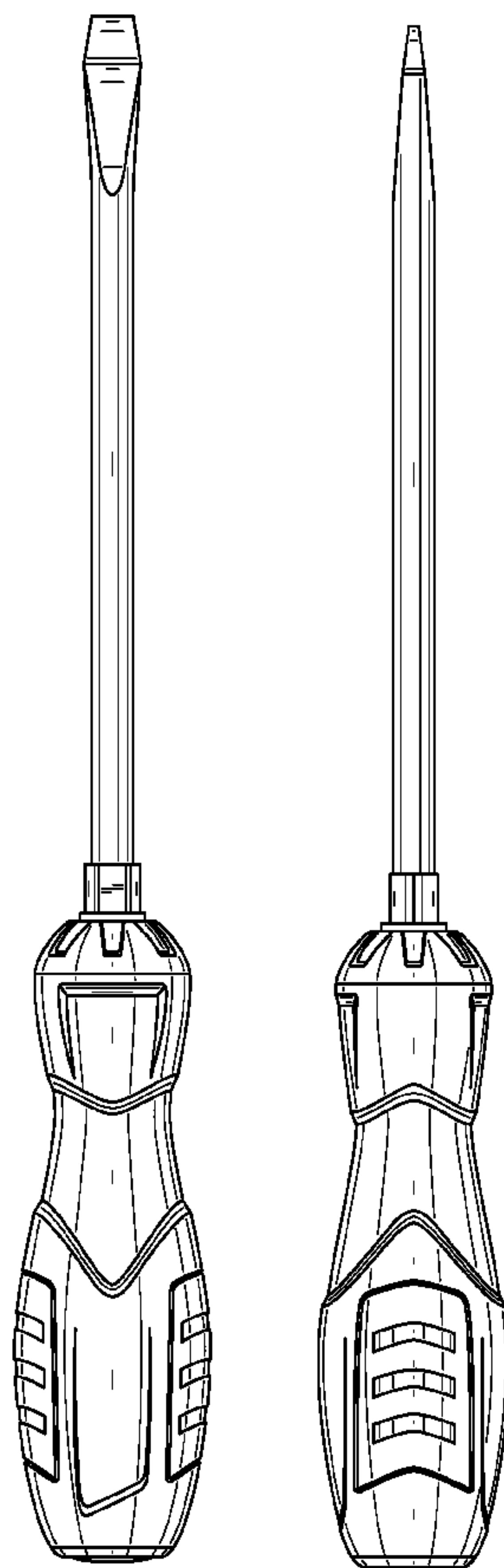
FIG. 4 is a left-side view of the screwdriver thereof.

FIG. 5 is a right-side view of the screwdriver thereof.

FIG. 6 is a top view of the screwdriver thereof; and,

FIG. 7 is a bottom view of the screwdriver thereof.

1 Claim, 4 Drawing Sheets



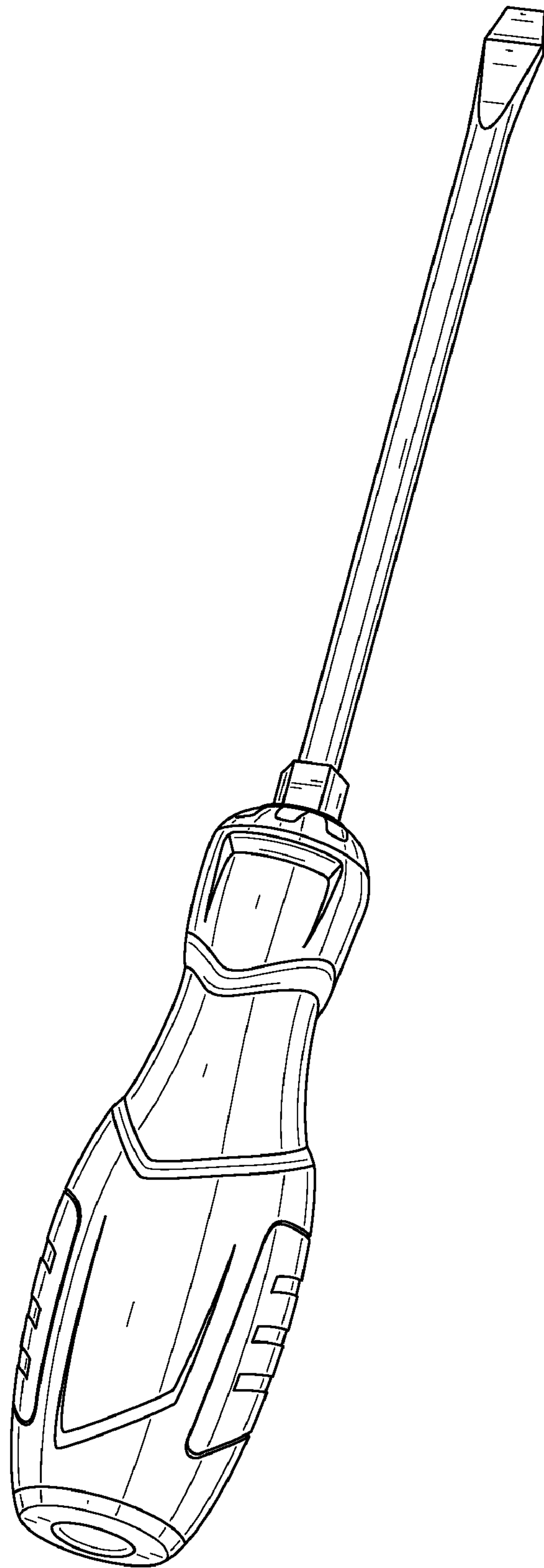


FIG. 1

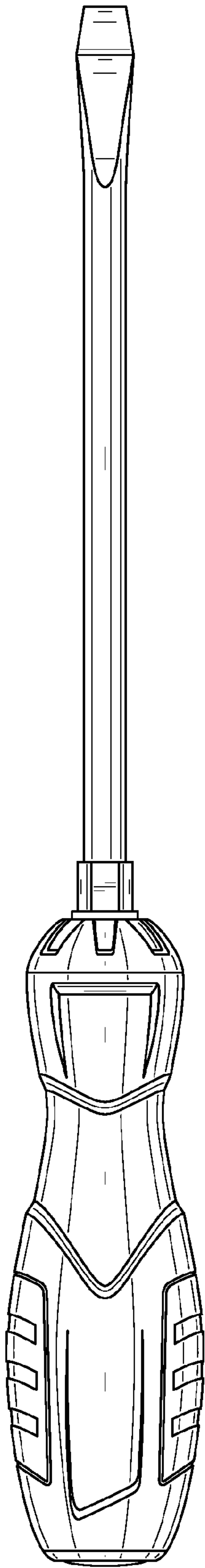


FIG. 2

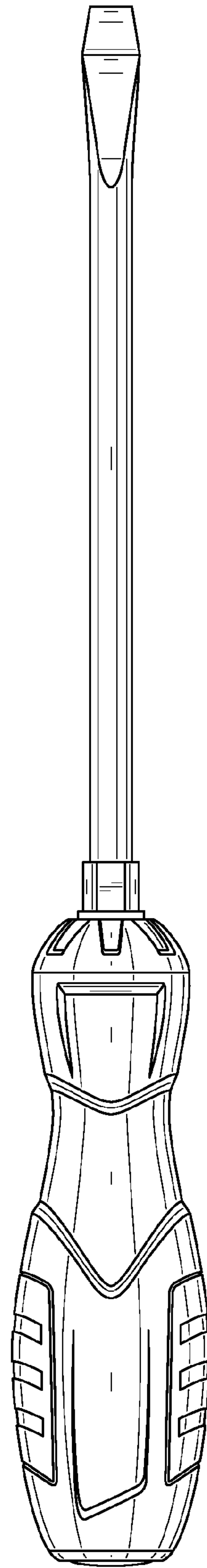


FIG. 3

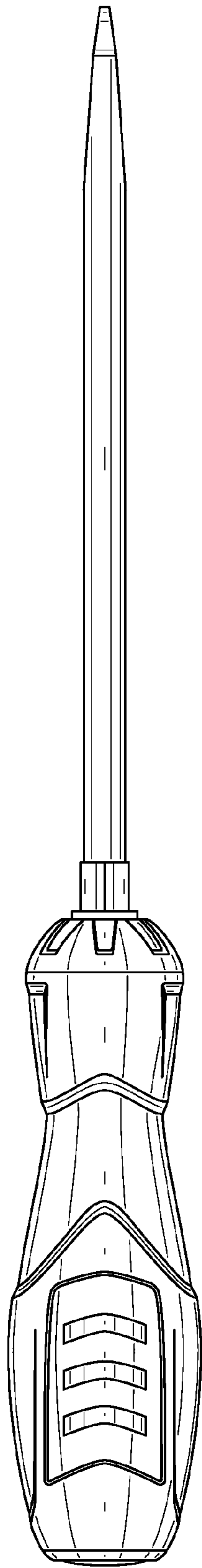


FIG. 4

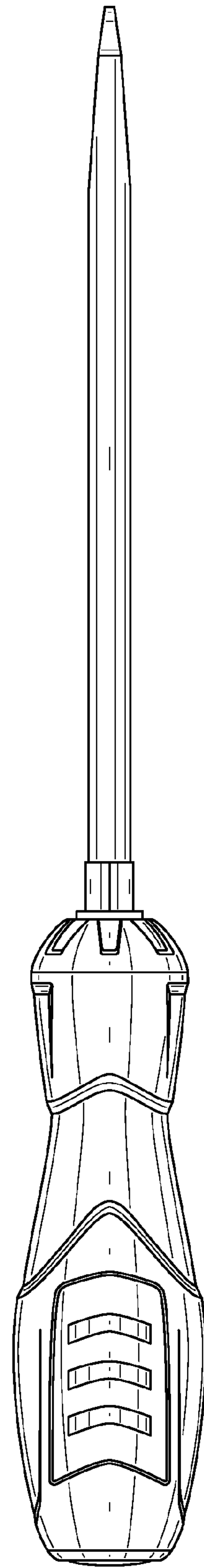


FIG. 5

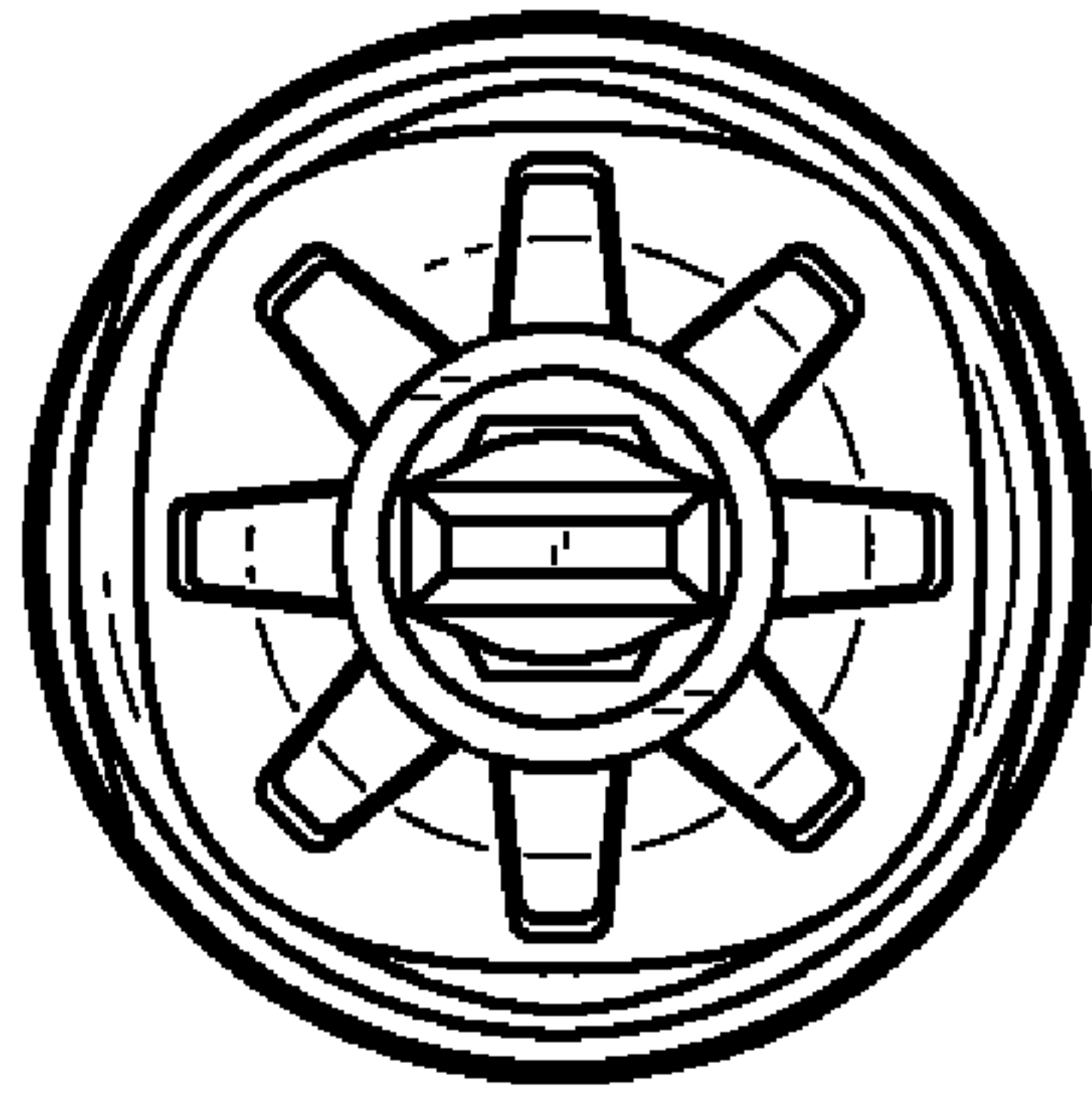


FIG. 6

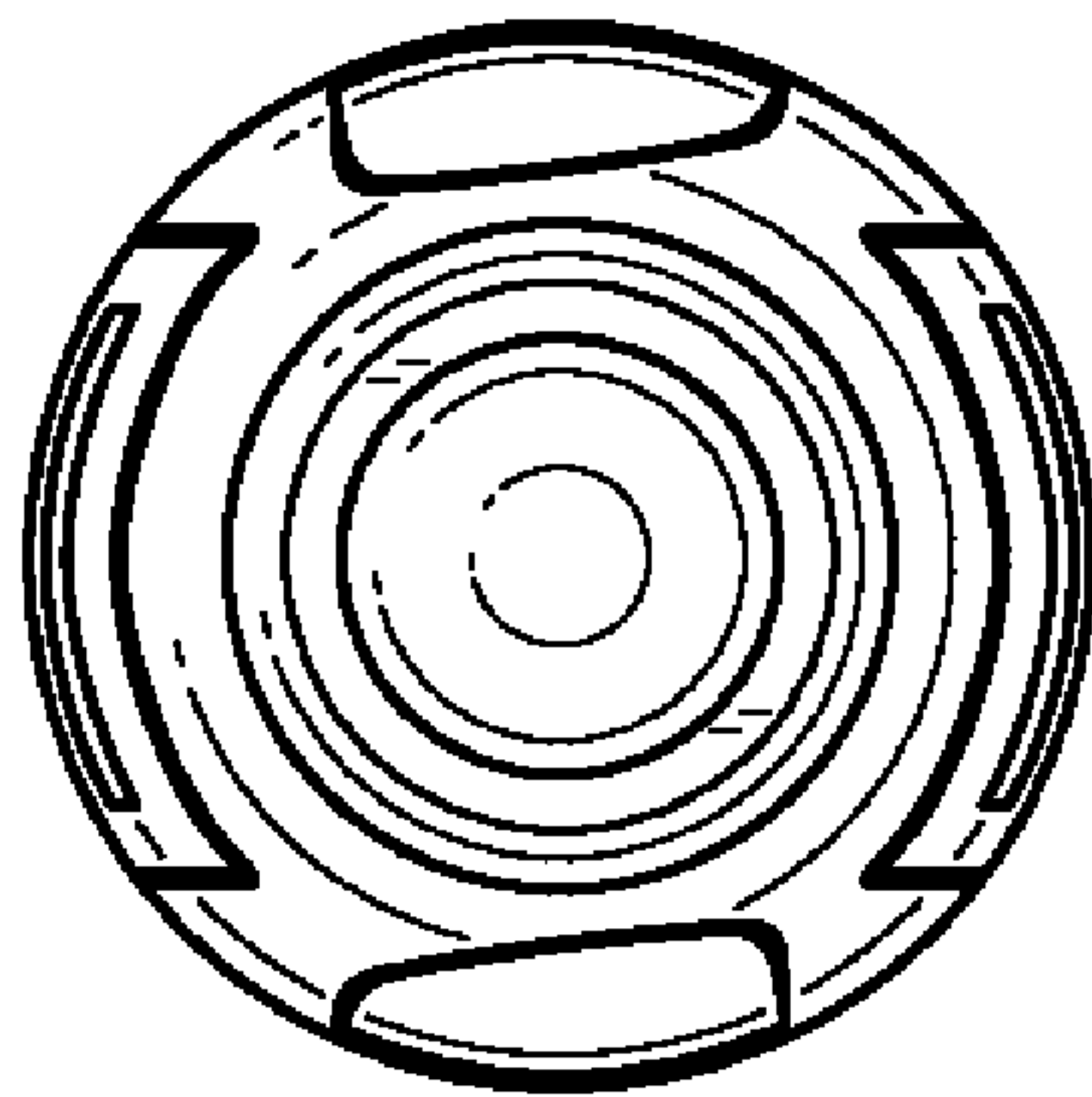


FIG. 7