



US00D616276S

(12) **United States Design Patent**  
**Friegang**

(10) **Patent No.:** **US D616,276 S**

(45) **Date of Patent:** **\*\* May 25, 2010**

(54) **SCRIBE STRIP HOLDER**

(76) Inventor: **William Robert Friegang**, 5026  
Vanderbilt Dr., San Jose, CA (US) 95130

(\*\*) Term: **14 Years**

(21) Appl. No.: **29/318,837**

(22) Filed: **May 29, 2008**

**Related U.S. Application Data**

(63) Continuation-in-part of application No. 11/458,801,  
filed on Jul. 20, 2006, now Pat. No. 7,392,589.

(51) **LOC (9) Cl.** ..... **08-05**

(52) **U.S. Cl.** ..... **D8/72**

(58) **Field of Classification Search** ..... D8/71-74,  
D8/394-399, 354, 355, 356, 59; 33/42, 41.6;  
248/62, 63, 72, 74.1, 689, 124.2; 81/487;  
269/3, 4, 6, 143, 165, 240, 243, 246-249,  
269/254 R, 147-149; 29/256, 257, 276;  
D15/140; D24/143; 408/103; D20/43  
See application file for complete search history.

(56) **References Cited**

**U.S. PATENT DOCUMENTS**

1,159,979 A	11/1915	Moore	
1,255,773 A	2/1918	Morse	
1,297,539 A	3/1919	Bull	
1,319,900 A	10/1919	Reeder	
1,781,997 A	11/1930	Berezowski	
1,987,826 A	1/1935	Heumann	
2,509,876 A	5/1950	Neiss	
2,636,527 A	4/1953	Schiemann	
2,786,274 A	3/1957	Early	
2,958,133 A *	11/1960	Seitz	33/42
3,516,167 A *	6/1970	McCain, Jr.	33/41.6
3,583,694 A	6/1971	Davies	
3,854,712 A	12/1974	McGee	
3,914,871 A	10/1975	Wolff	
4,141,542 A	2/1979	Wolff	
4,227,307 A	10/1980	Tassoni	
D275,867 S *	10/1984	Lazzara et al.	D20/43
4,607,829 A	8/1986	Suska	

4,795,141 A	1/1989	Mulvaney	
5,013,196 A	5/1991	Friegang	
D318,409 S *	7/1991	Garrett	D8/72
D337,509 S *	7/1993	Lebow	D8/354
D371,497 S *	7/1996	Cottone	D8/72
D377,505 S *	1/1997	Thompson	D20/43
D393,998 S *	5/1998	Anderson	D8/394
5,815,931 A	10/1998	Cleveland	
D404,638 S *	1/1999	Machijima	D8/354
5,862,601 A	1/1999	O'Brien et al.	
6,279,861 B1 *	8/2001	Nolan	248/689
D504,609 S *	5/2005	Ferguson	D8/354

(Continued)

*Primary Examiner*—T. Chase Nelson  
*Assistant Examiner*—David G Muller  
(74) *Attorney, Agent, or Firm*—Edward S. Wright

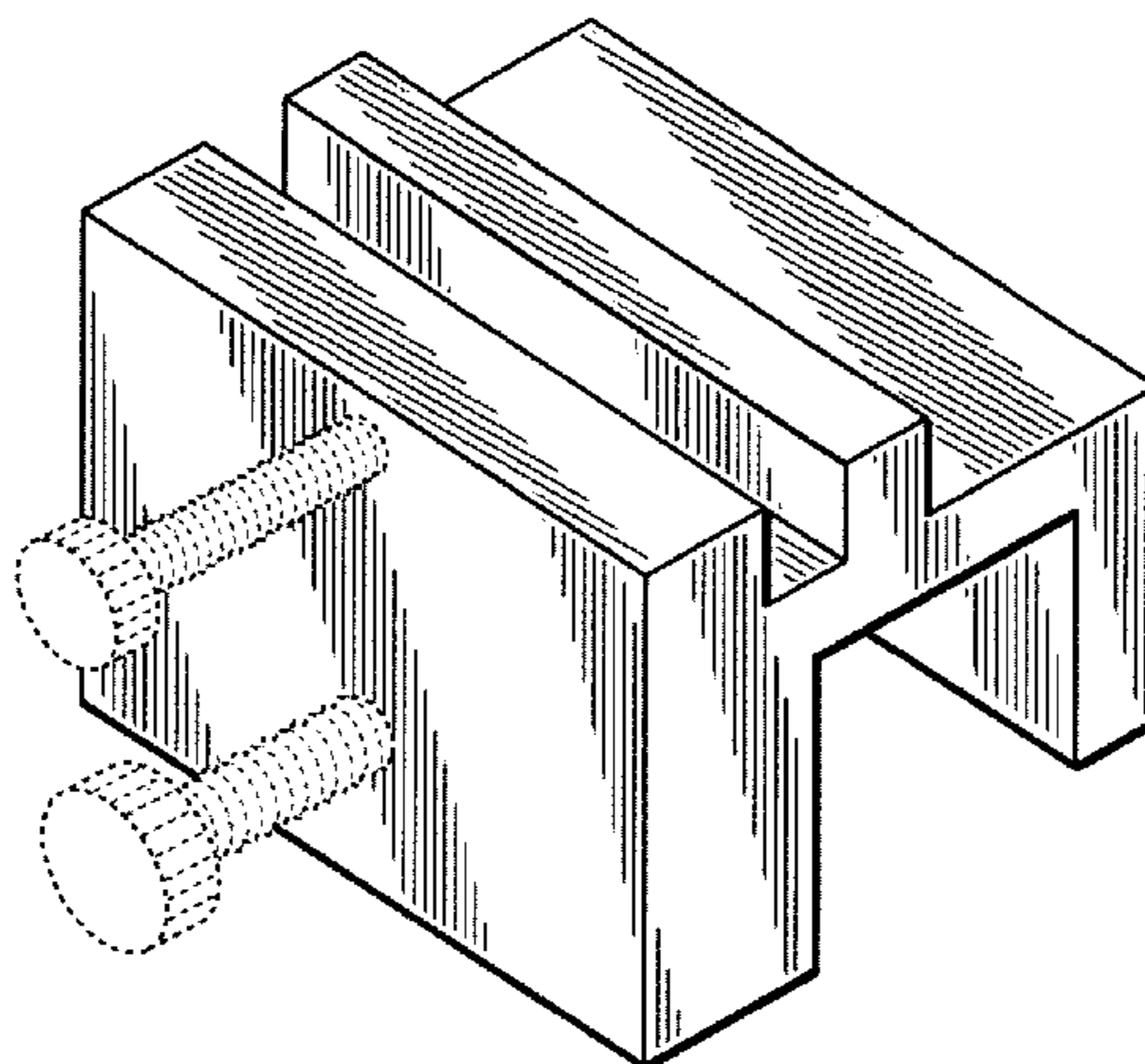
(57) **CLAIM**

The ornamental design for a scribe strip holder, as shown and described.

**DESCRIPTION**

FIG. 1 is an isometric view of a scribe strip holder showing my new design, with clamping screws shown in dashed lines not being part of the design;  
FIG. 2 is an isometric view of the scribe strip holder without the clamping screws; The holes shown in dashed lines are not part of the design;  
FIG. 3 is a top plan view thereof;  
FIG. 4 is a front elevational view thereof, the rear being a mirror image of the front;  
FIG. 5 is a right side elevational view thereof;  
FIG. 6 is a bottom plan view thereof; and,  
FIG. 7 is a left side elevational view thereof.

**1 Claim, 2 Drawing Sheets**



# US D616,276 S

Page 2

---

## U.S. PATENT DOCUMENTS

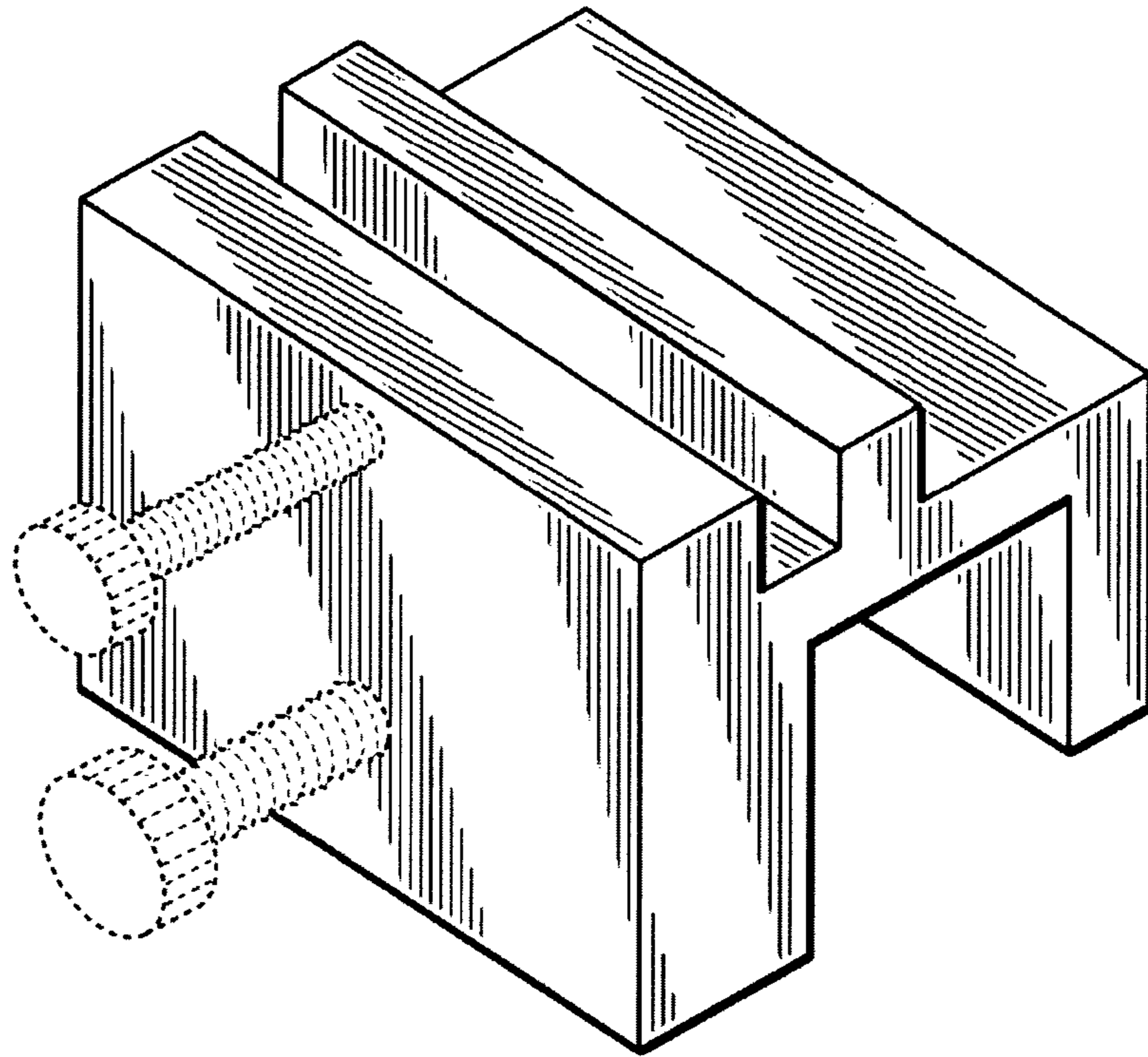
2004/0055168 A1 3/2004 Allen

6,930,272 B1 \* 8/2005 Limano ..... 269/240

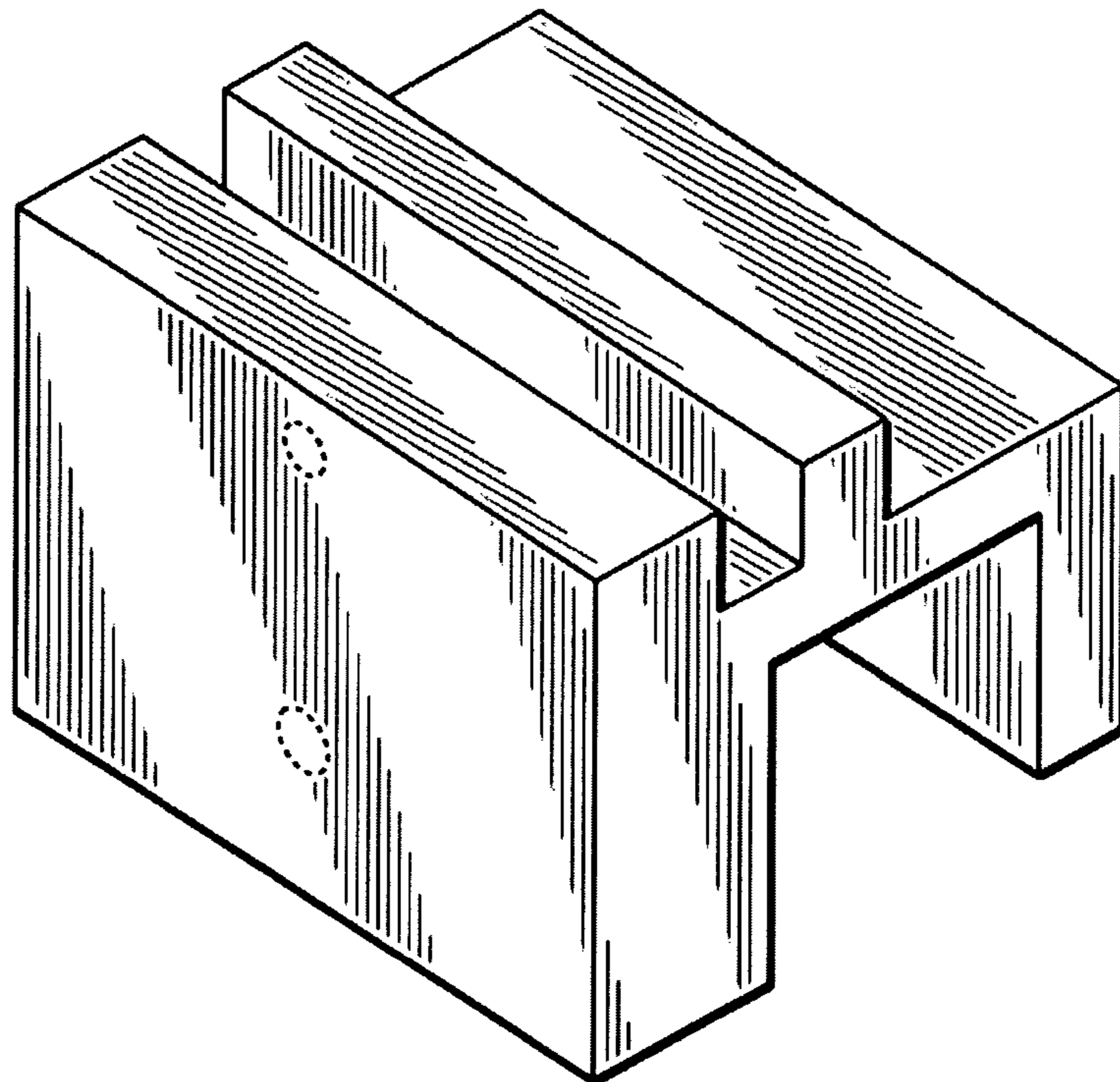
D589,337 S \* 3/2009 Karlsson ..... D8/394

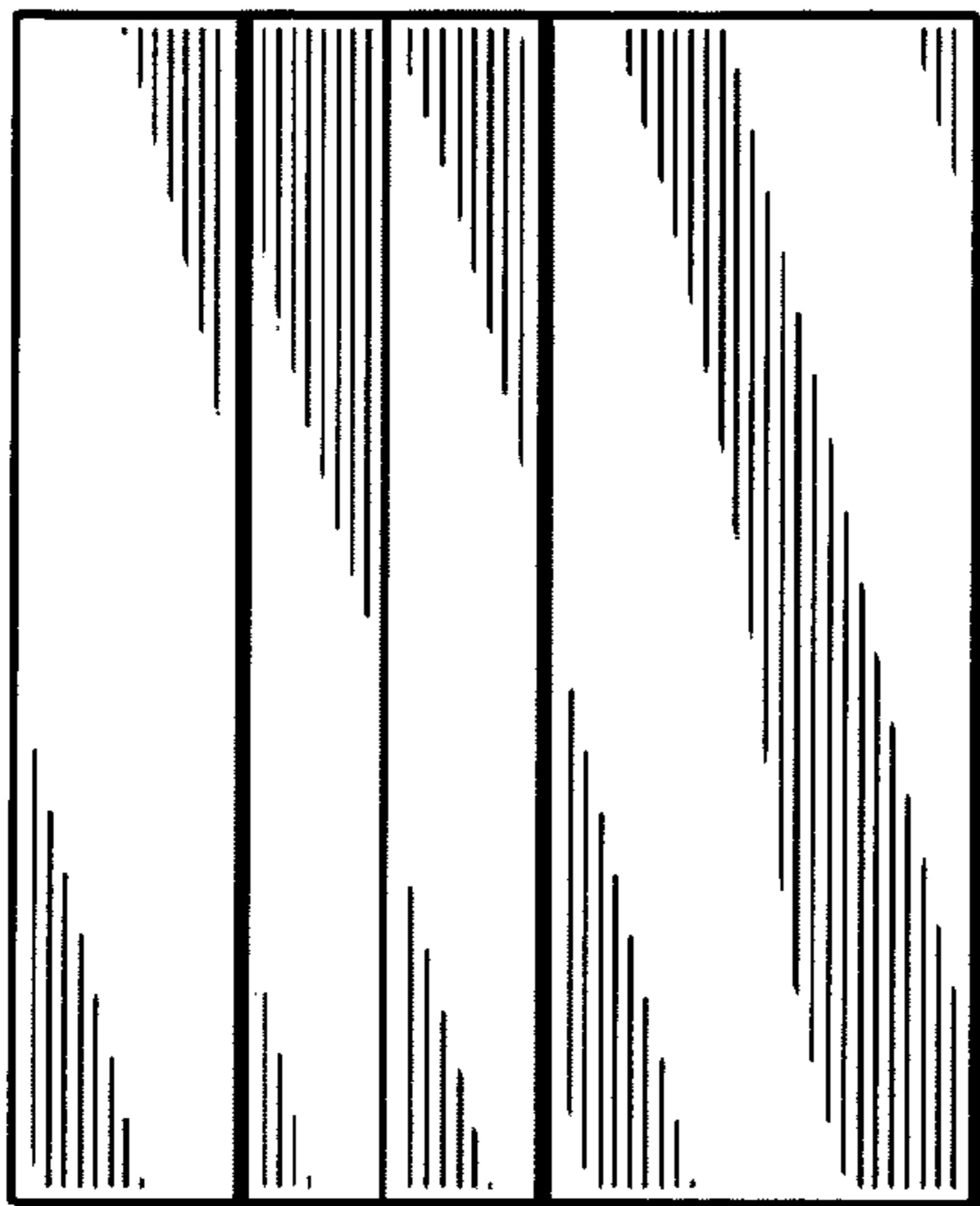
\* cited by examiner

**FIG. 1**

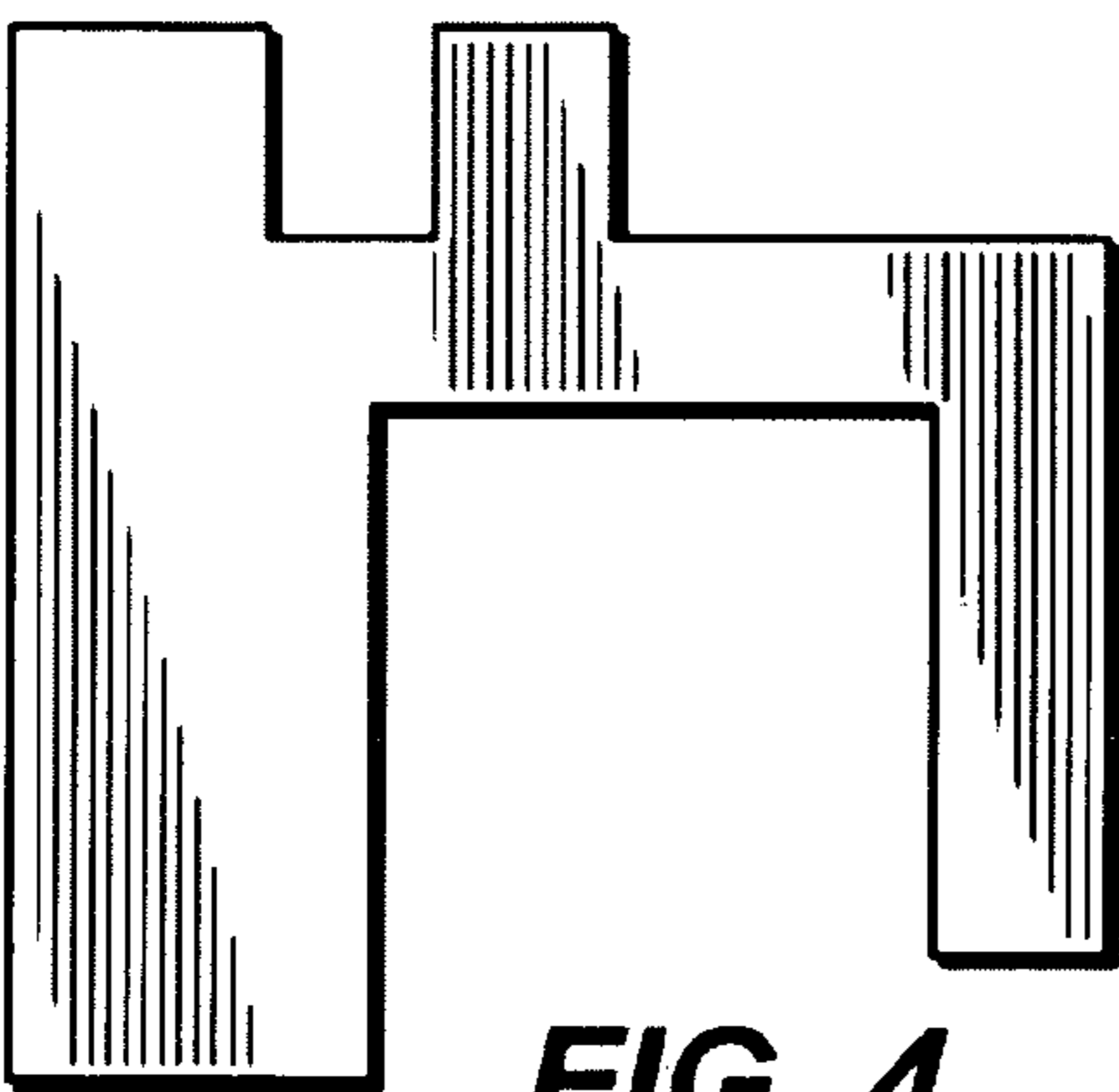


**FIG. 2**

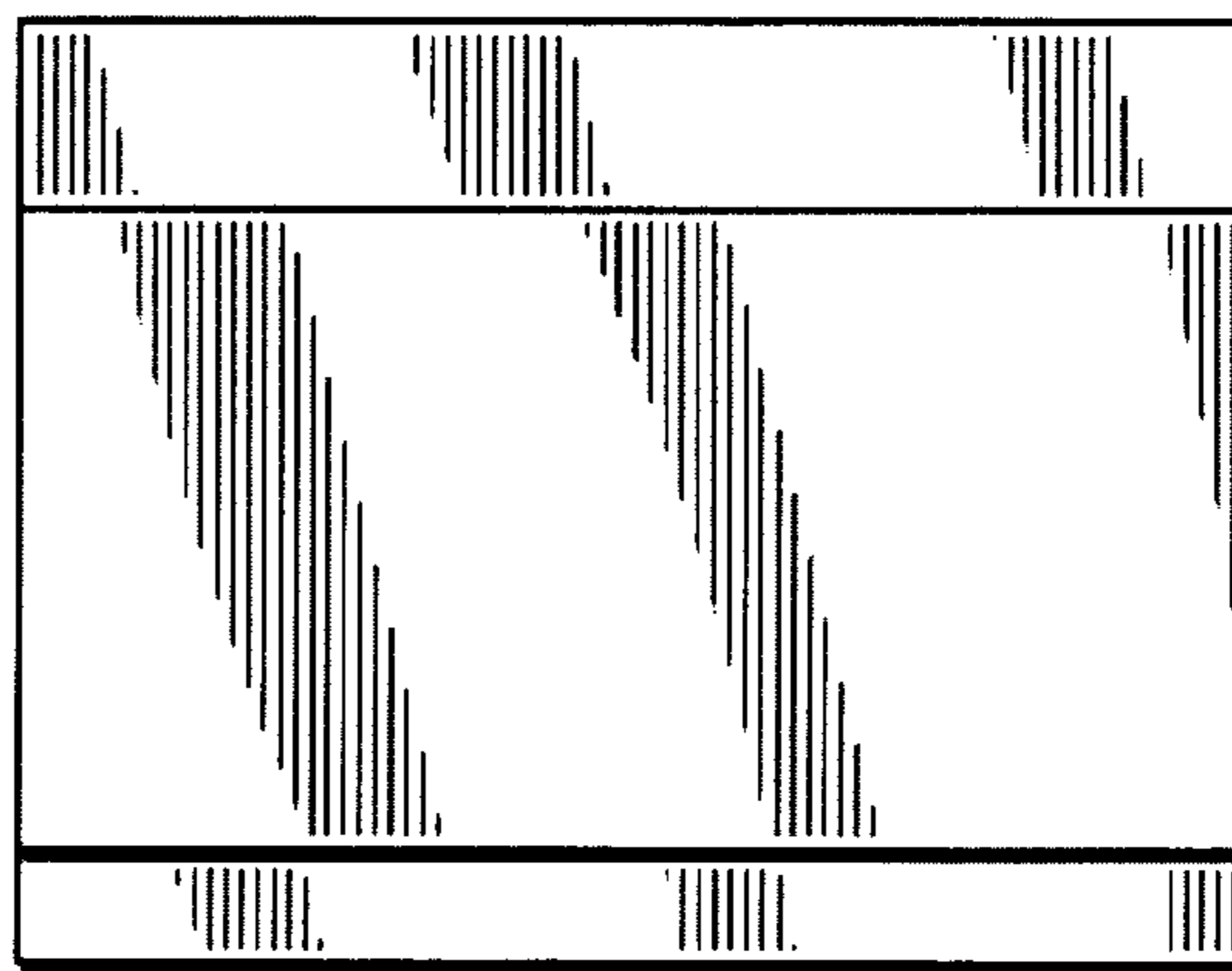




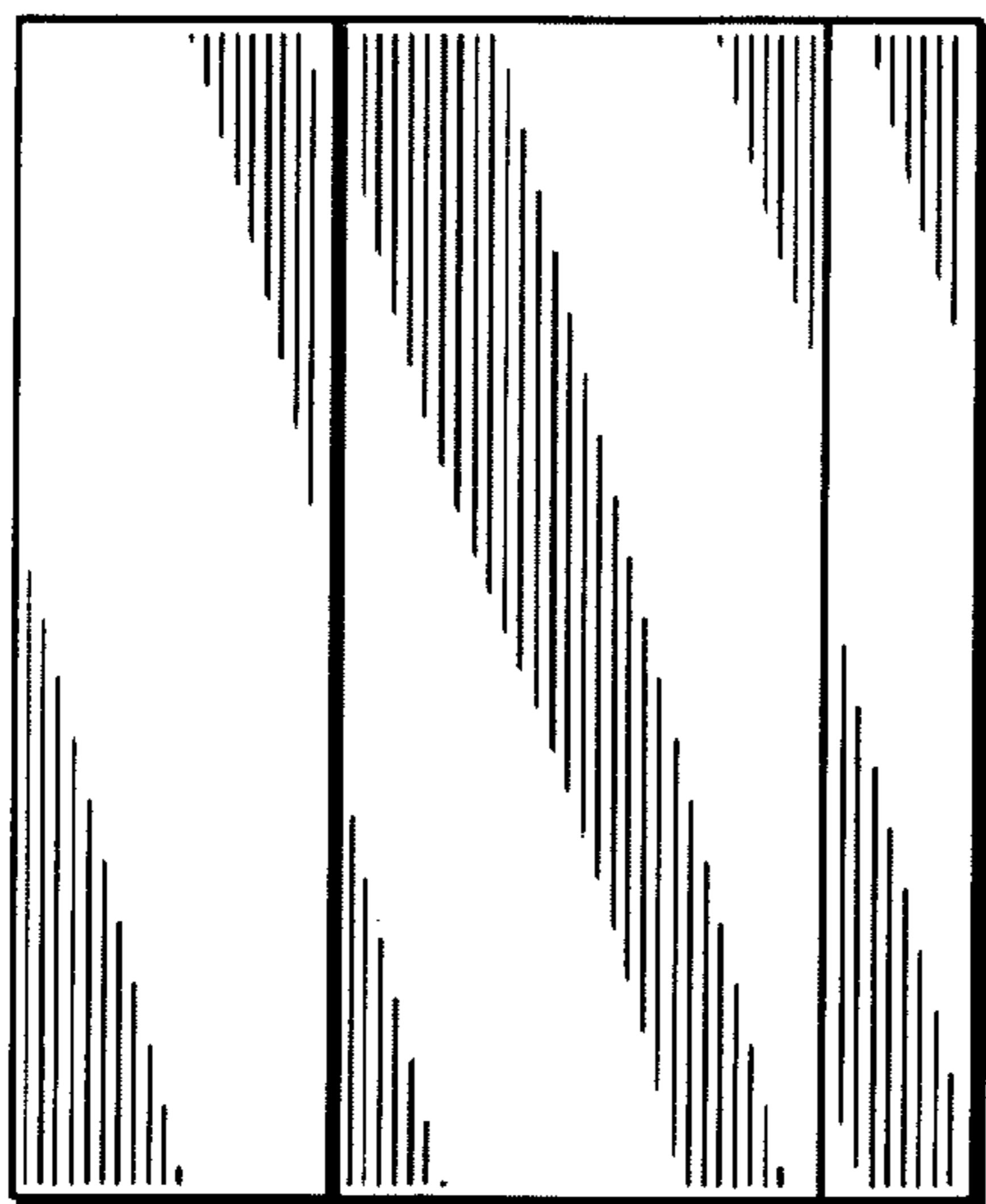
**FIG. 3**



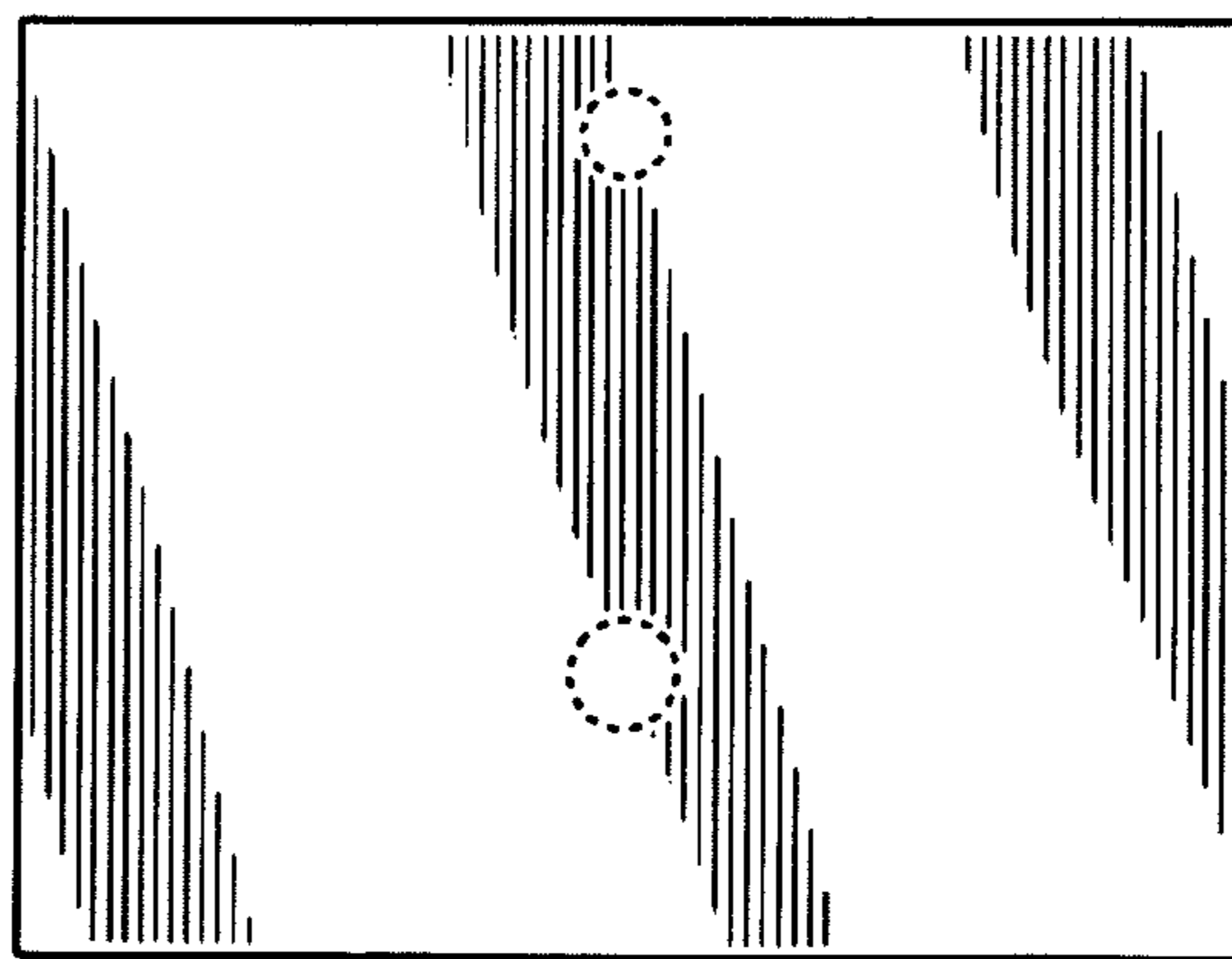
**FIG. 4**



**FIG. 5**



**FIG. 6**



**FIG. 7**