



US00D616274S

(12) **United States Design Patent**
Macor

(10) **Patent No.:** **US D616,274 S**
(45) **Date of Patent:** **** May 25, 2010**

(54) **MULTI-SOCKET WRENCH**

(75) Inventor: **Richard J. Macor**, Hunterdon County,
NJ (US)

(73) Assignee: **Proprietary Technologies, Inc.**,
Hunterdon County, NJ (US)

(**) Term: **14 Years**

(21) Appl. No.: **29/348,042**

(22) Filed: **Nov. 20, 2009**

(51) **LOC (9) Cl.** **08-05**

(52) **U.S. Cl.** **D8/28**

(58) **Field of Classification Search** D8/21-30;
81/60, 177.1, 177.85, 121.1, 124.3, 165-170,
81/110.1, 176.2, 124.6, 176.1, 176.15, 177.2;
16/110.1; D15/144.1; 219/75, 227, 229,
219/121.16, 121.18

See application file for complete search history.

(56) **References Cited**

U.S. PATENT DOCUMENTS

5,119,701	A *	6/1992	Wei	81/63
5,144,869	A *	9/1992	Chow	81/63
D342,653	S	12/1993	Macor	
5,557,992	A	9/1996	Macor	
D375,667	S *	11/1996	Macor	D8/28
5,603,247	A *	2/1997	Wei	81/63.2
6,070,502	A *	6/2000	Chang	81/63
6,260,447	B1 *	7/2001	Hutt	81/63

6,318,216	B1 *	11/2001	Eggert et al.	81/61
7,047,844	B1	5/2006	Macor	
D578,361	S *	10/2008	Chen	D8/25
D580,721	S *	11/2008	Chen	D8/25
2004/0261586	A1 *	12/2004	Chen	81/177.7
2005/0274234	A1 *	12/2005	Lee	81/177.8

* cited by examiner

Primary Examiner—Raphael Barkai
Assistant Examiner—Randall H Gholson

(57) **CLAIM**

The ornamental design for an multi-socket wrench, as shown and described.

DESCRIPTION

FIG. 1 is a top front perspective view of a multi-socket wrench showing my new design;

FIG. 2 is front elevation view thereof;

FIG. 3 is a rear elevation view thereof;

FIG. 4 is a top plan view thereof;

FIG. 5 is a bottom plan view thereof;

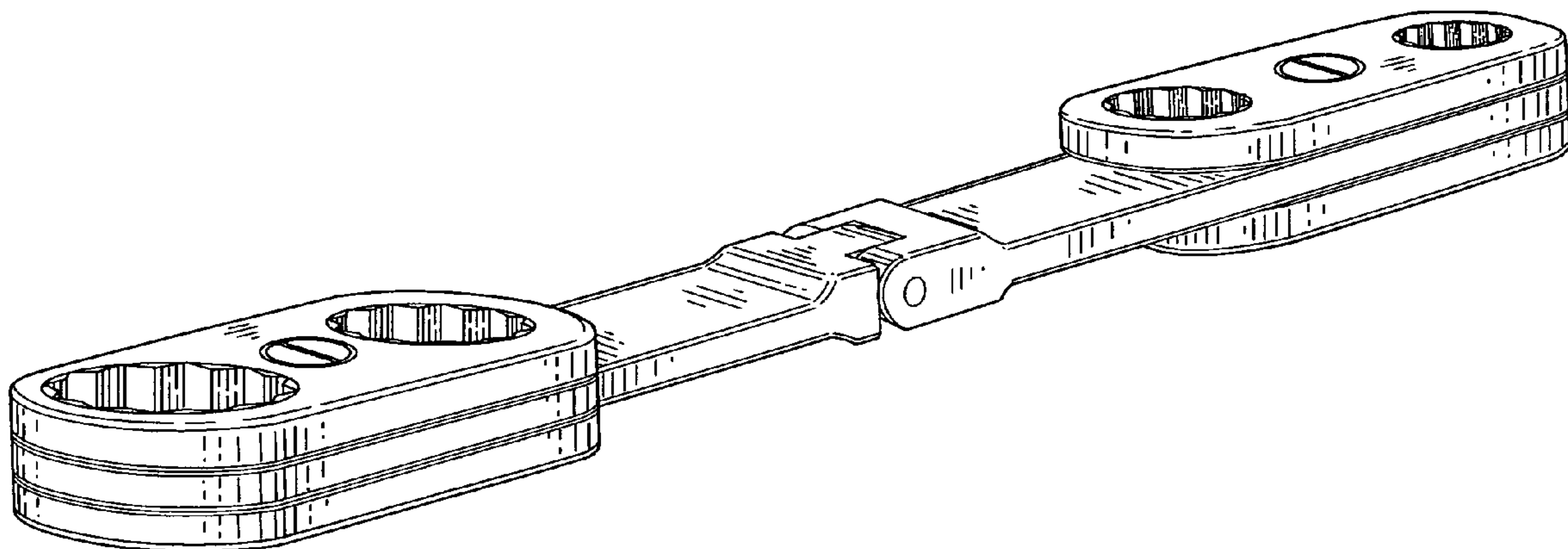
FIG. 6 is a right side elevation view thereof; and,

FIG. 7 is a left side elevation view thereof; and,

FIG. 8 is a second right side elevation view thereof shown in an alternate position; and,

FIG. 9 is a third right side elevation view thereof shown in an alternate position.

1 Claim, 2 Drawing Sheets



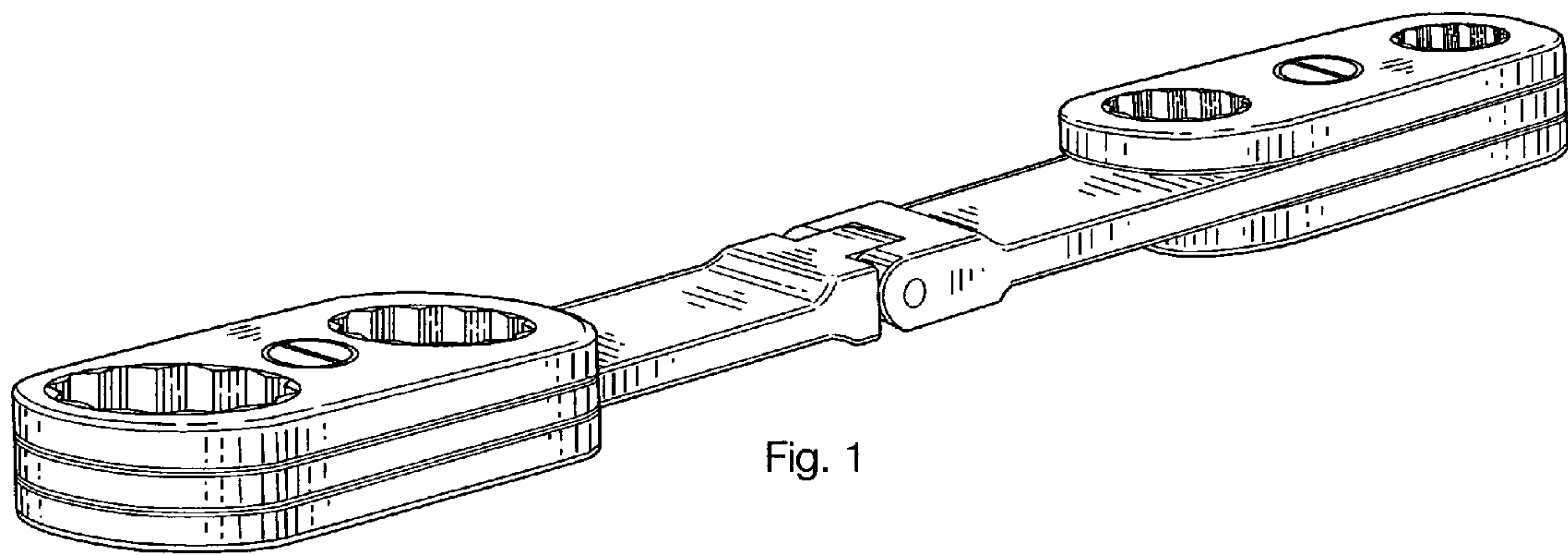


Fig. 1

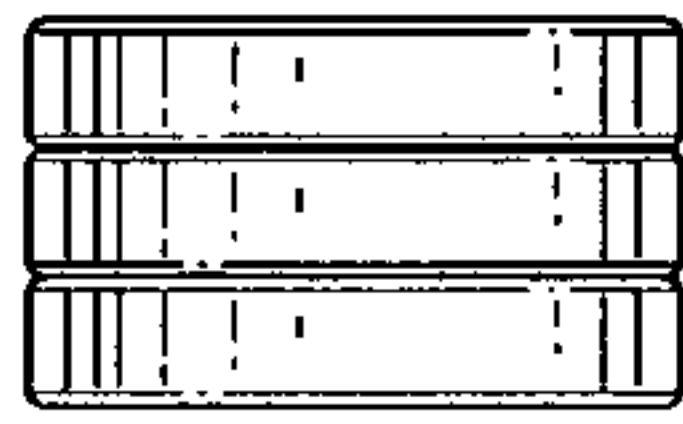


Fig. 2



Fig. 3

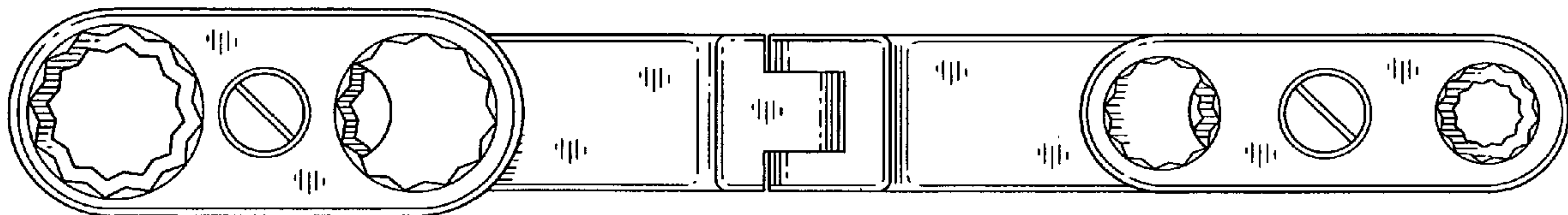


Fig. 4

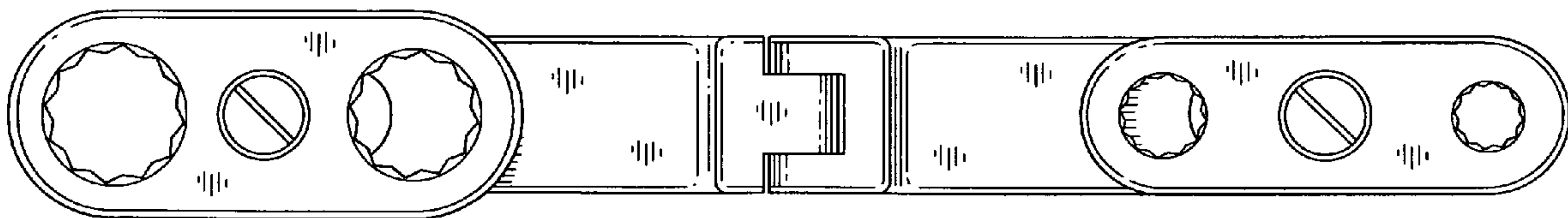


Fig. 5

Fig. 6

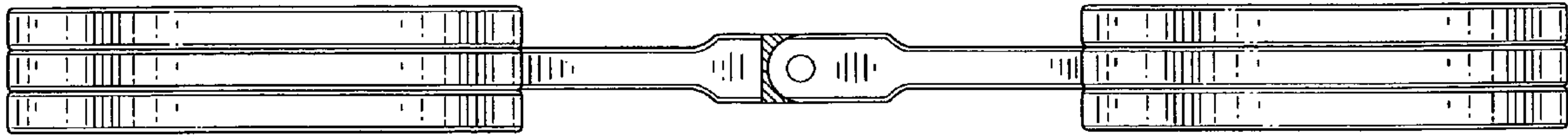


Fig. 7

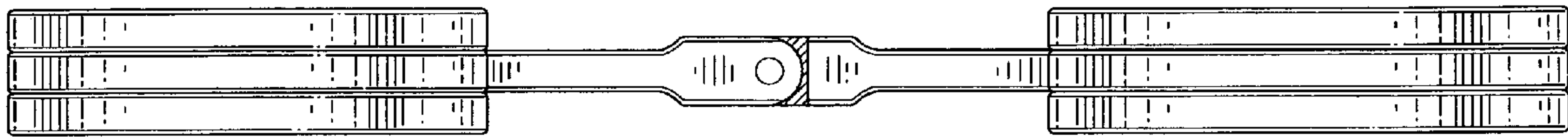


Fig. 8

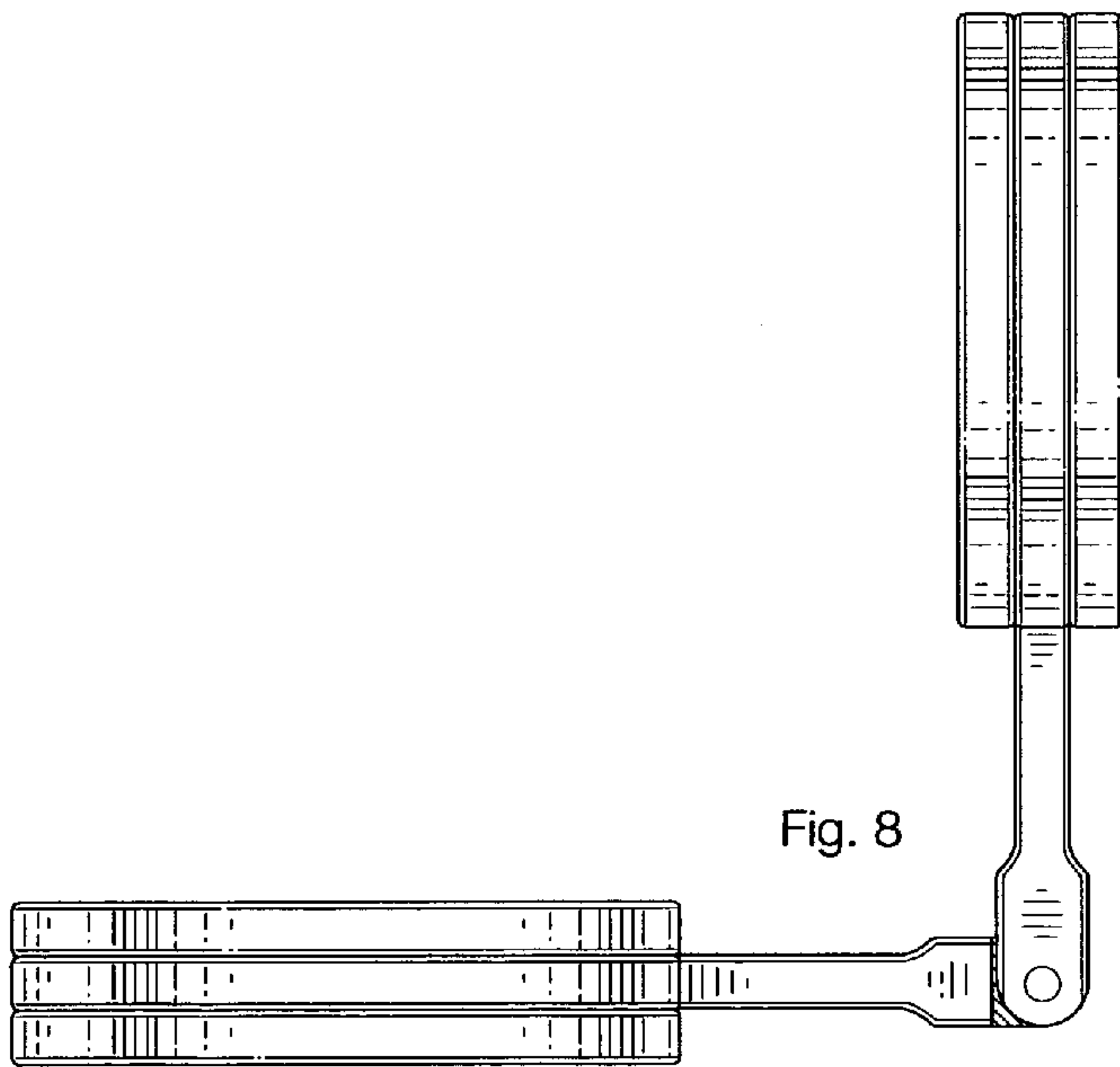


Fig. 9

