



US00D616272S

(12) **United States Design Patent**  
**Goodman et al.**

(10) **Patent No.:** **US D616,272 S**  
(45) **Date of Patent:** **\*\* May 25, 2010**

(54) **WINE RACK**

**DESCRIPTION**

(75) Inventors: **Sheldon H. Goodman**, Solon, OH (US);  
**Omer I. Sazir**, Cleveland, OH (US)

(73) Assignee: **Spectrum Diversified Designs, Inc.**,  
Streetsboro, OH (US)

(\*\*) Term: **14 Years**

(21) Appl. No.: **29/346,898**

(22) Filed: **Nov. 9, 2009**

(51) **LOC (9) Cl.** ..... **06-04**

(52) **U.S. Cl.** ..... **D7/704**

(58) **Field of Classification Search** ..... D7/701–704,  
D7/600.1–600.4; 211/181.1, 74, 71.01, 85.31;  
248/311.2, 315, 309.1  
See application file for complete search history.

(56) **References Cited**

**U.S. PATENT DOCUMENTS**

D243,738 S *	3/1977	Johnson	.....	D7/704
D272,699 S *	2/1984	Godfrey	.....	D7/701
D458,813 S *	6/2002	Goodman et al.	.....	D7/704
6,523,705 B2 *	2/2003	Henderson et al.	.....	211/74
D472,432 S *	4/2003	Goodman et al.	.....	D7/704
D541,604 S *	5/2007	Goodman et al.	.....	D7/704
2007/0017884 A1 *	1/2007	Yang	.....	211/74

\* cited by examiner

*Primary Examiner*—Terry A Wallace

(74) *Attorney, Agent, or Firm*—Pearne & Gordon LLP

(57) **CLAIM**

The ornamental design for a wine rack, as shown and described.

FIG. 1 is a perspective view of a four bottle wine rack, showing our new design;

FIG. 2 is a top plan view thereof;

FIG. 3 is a front elevational view thereof;

FIG. 4 is a side elevational view thereof;

FIG. 5 is a bottom plan view thereof;

FIG. 6 is a perspective view of the wine rack of FIG. 1, showing an eight bottle wine rack in accordance with the invention;

FIG. 7 is a top plan view thereof;

FIG. 8 is a front elevational view thereof;

FIG. 9 is a side elevational view thereof;

FIG. 10 is a bottom plan view thereof;

FIG. 11 is a perspective view of the wine rack of FIG. 1, showing a three bottle wine rack in accordance with the invention;

FIG. 12 is a top plan view thereof;

FIG. 13 is a front elevational view thereof;

FIG. 14 is a side elevational view thereof;

FIG. 15 is a bottom plan view thereof;

FIG. 16 is a perspective view of the wine rack of FIG. 11, showing a six bottle wine rack in accordance with the invention;

FIG. 17 is a top plan view thereof;

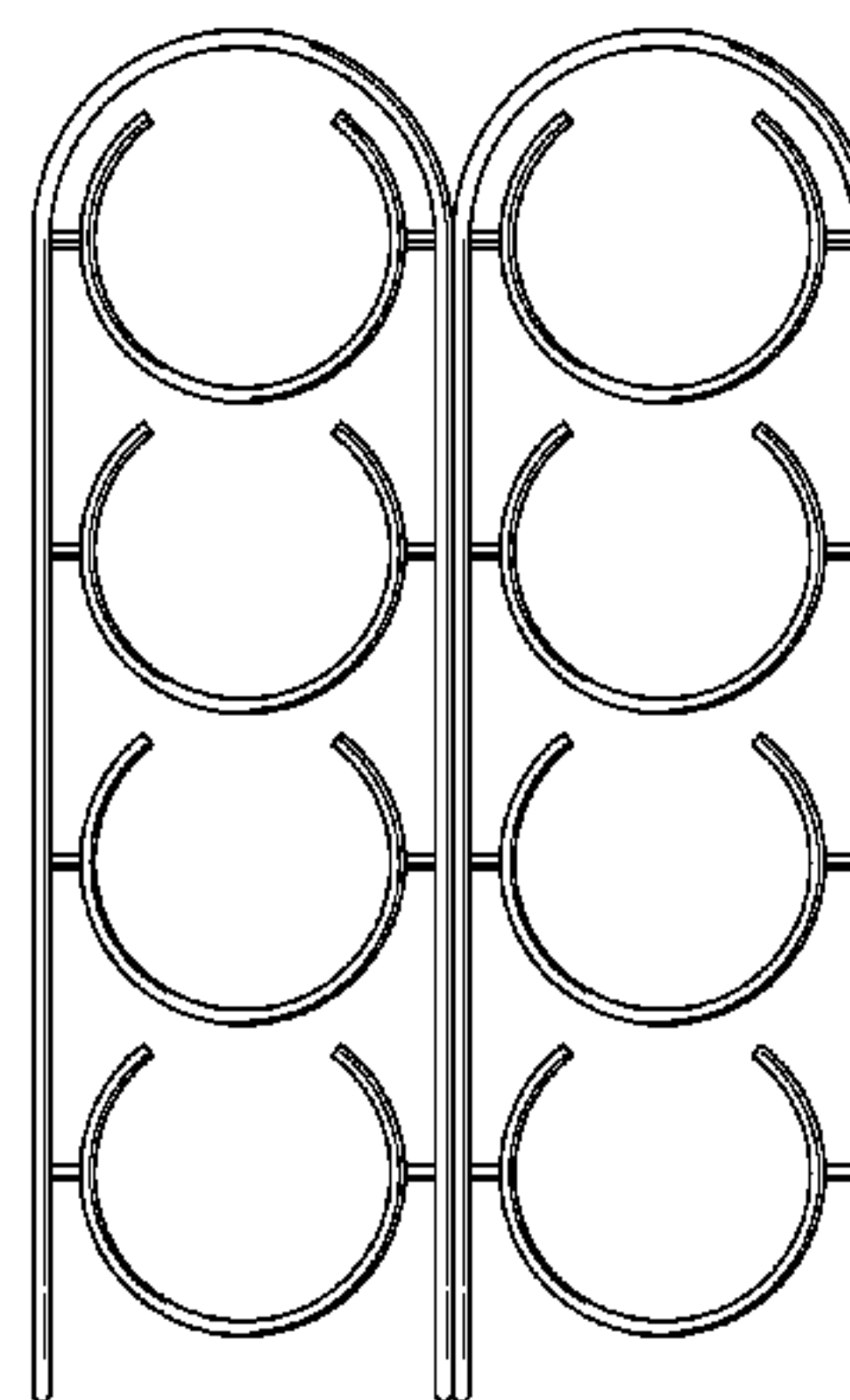
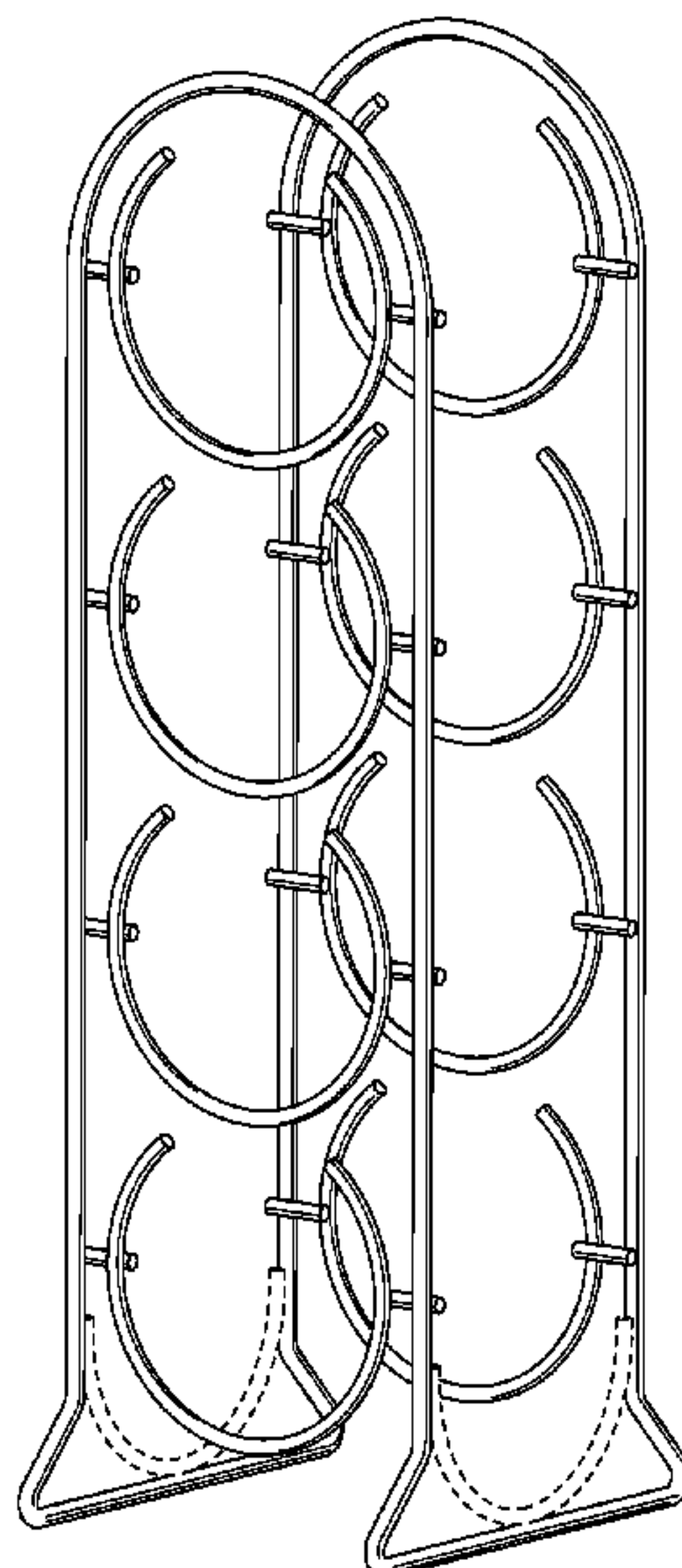
FIG. 18 is a front elevational view thereof;

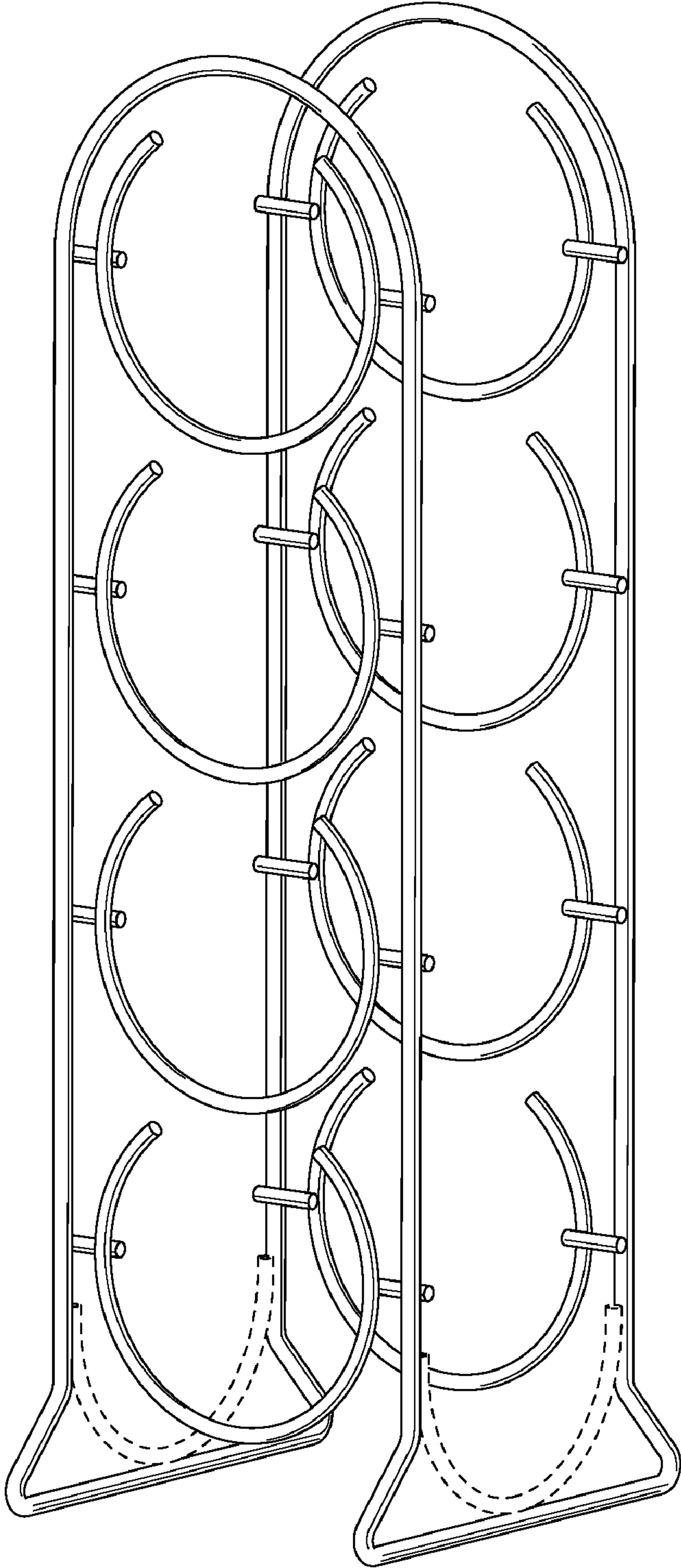
FIG. 19 is a side elevational view thereof; and,

FIG. 20 is a bottom plan view thereof.

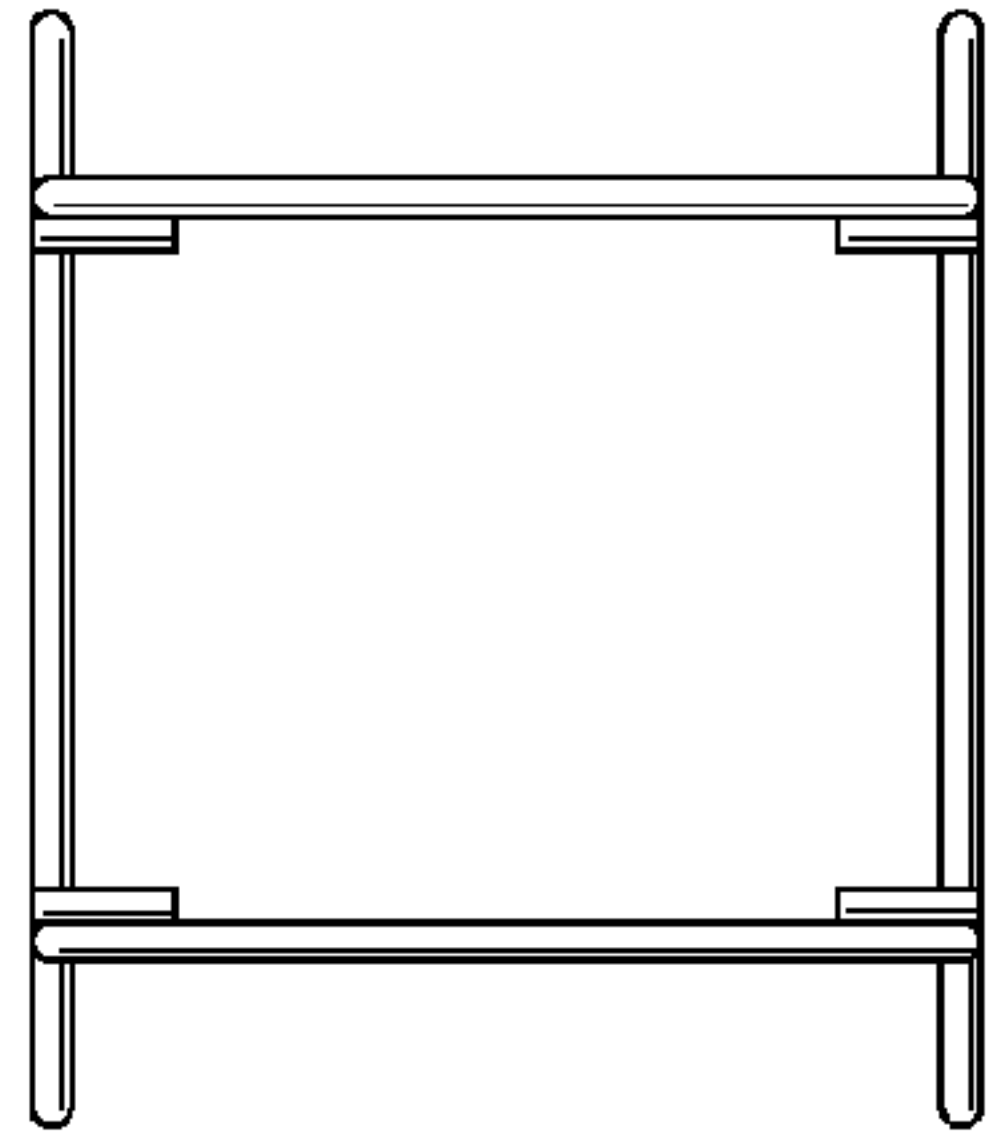
The dotted-line showing in the drawings illustrates environmental matter and forms no part of the claimed design.

**1 Claim, 8 Drawing Sheets**

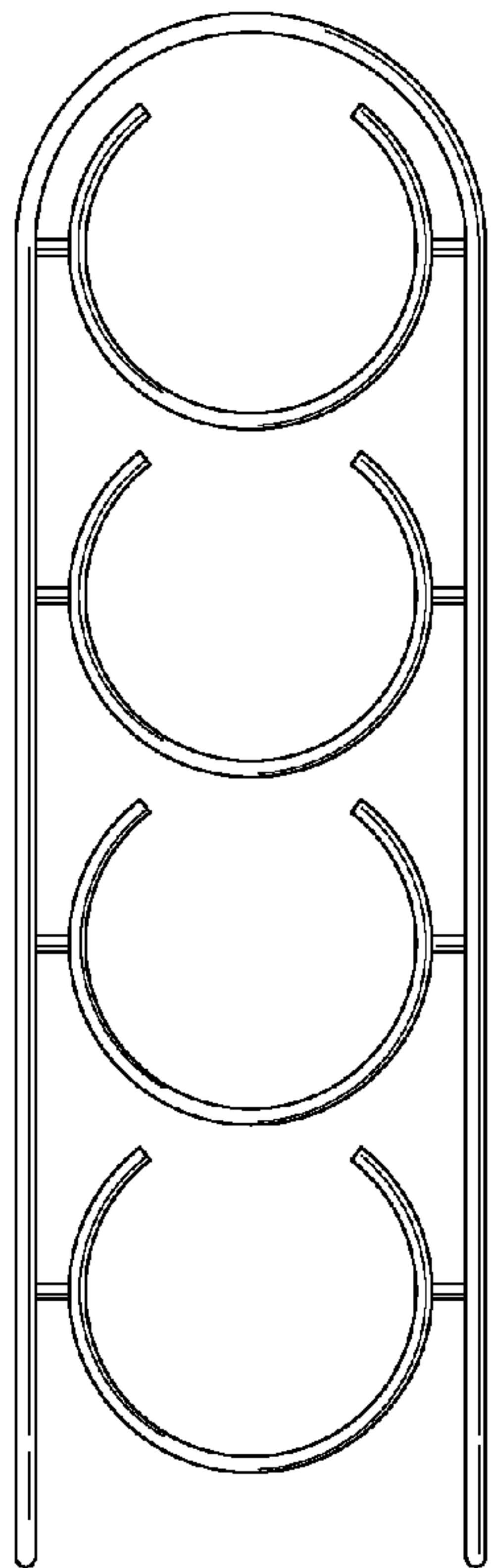




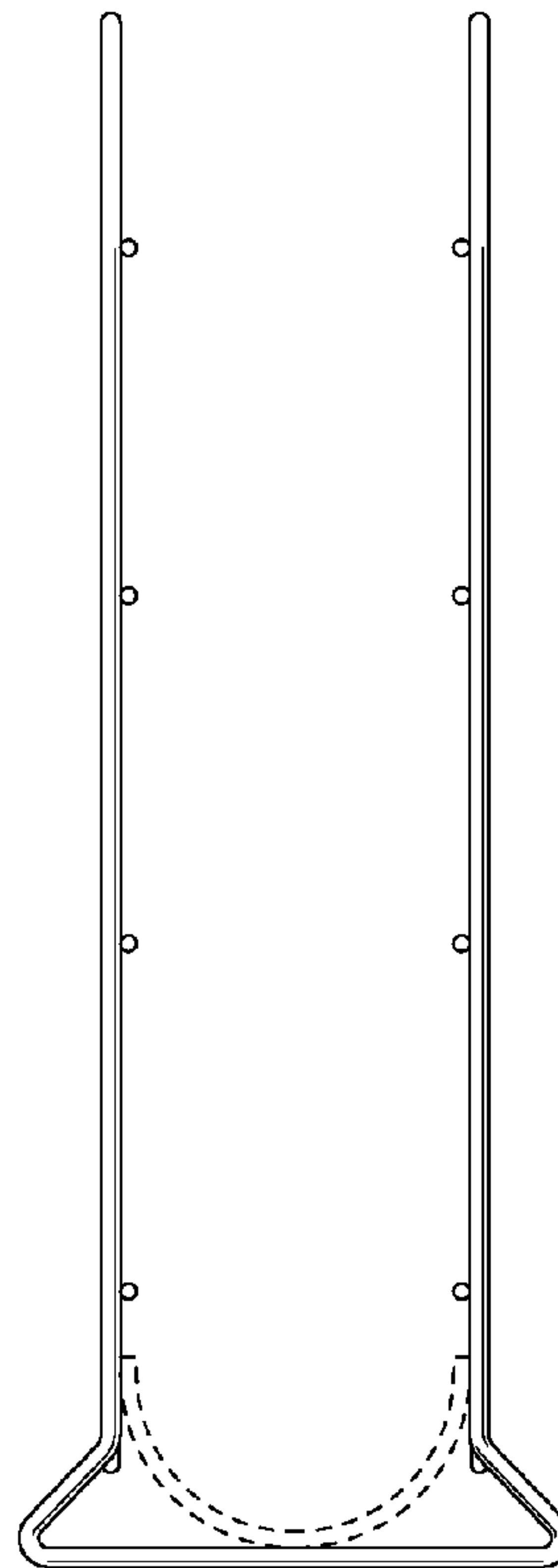
**FIG. 1**



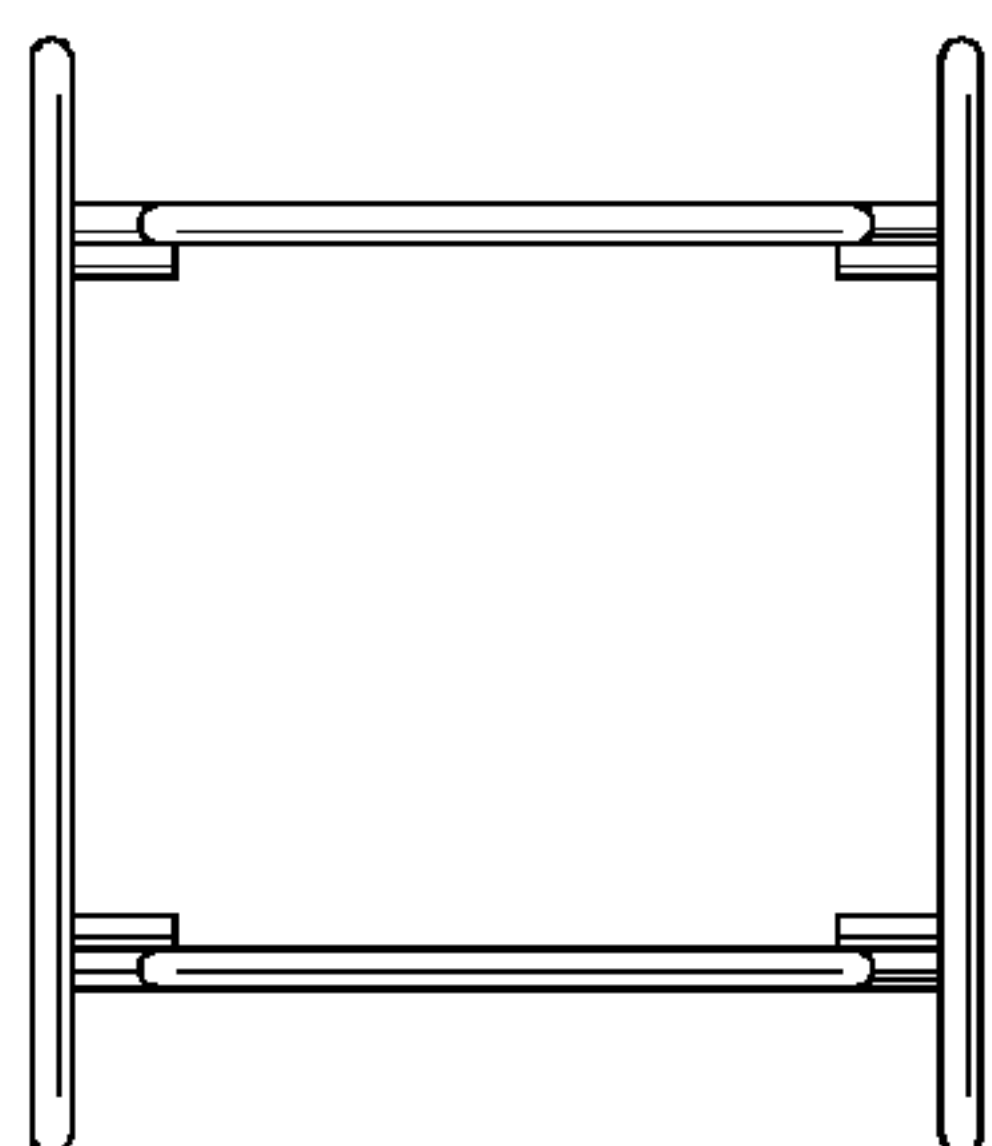
**FIG. 2**



**FIG. 3**



**FIG. 4**



**FIG. 5**

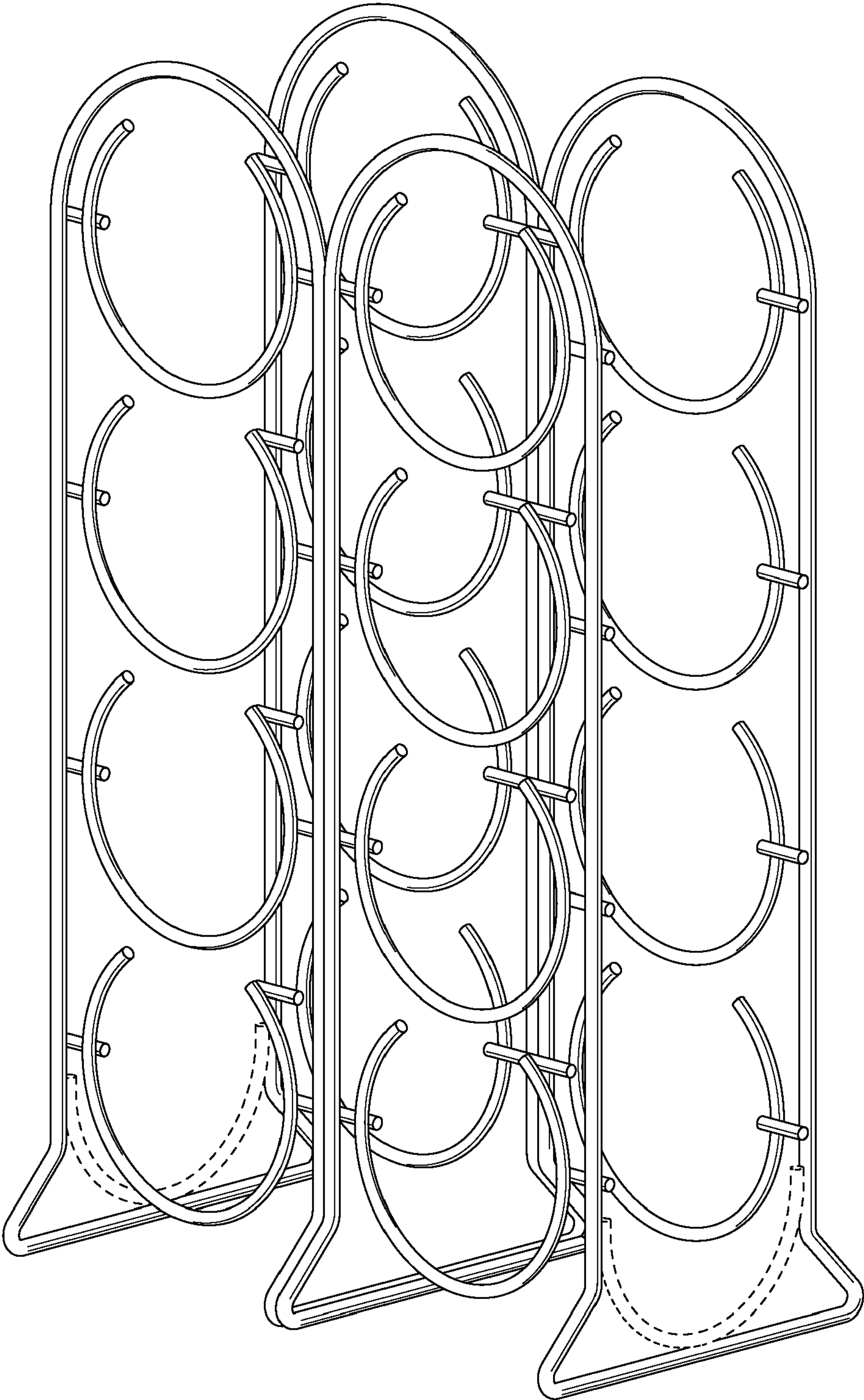


FIG. 6



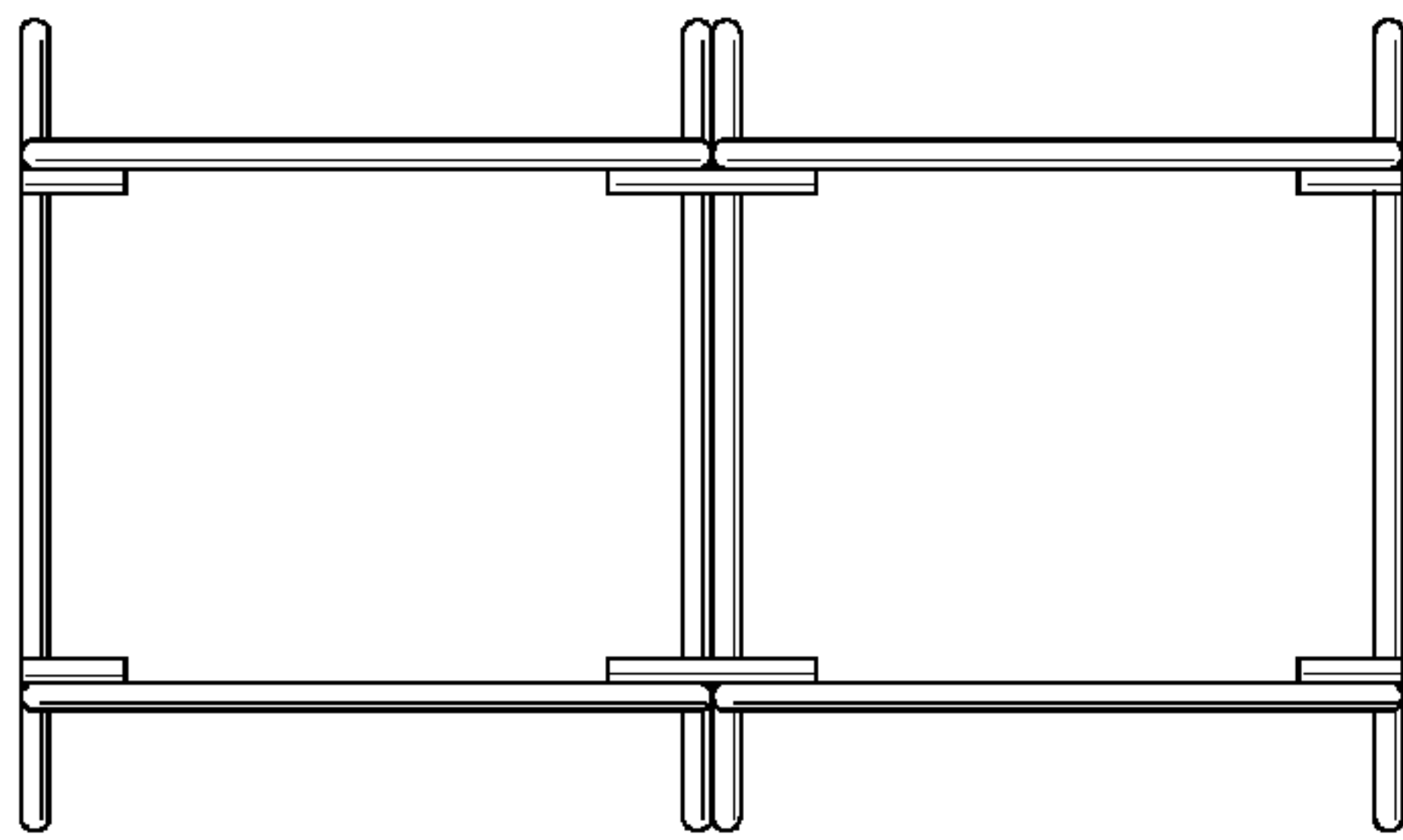


FIG. 7

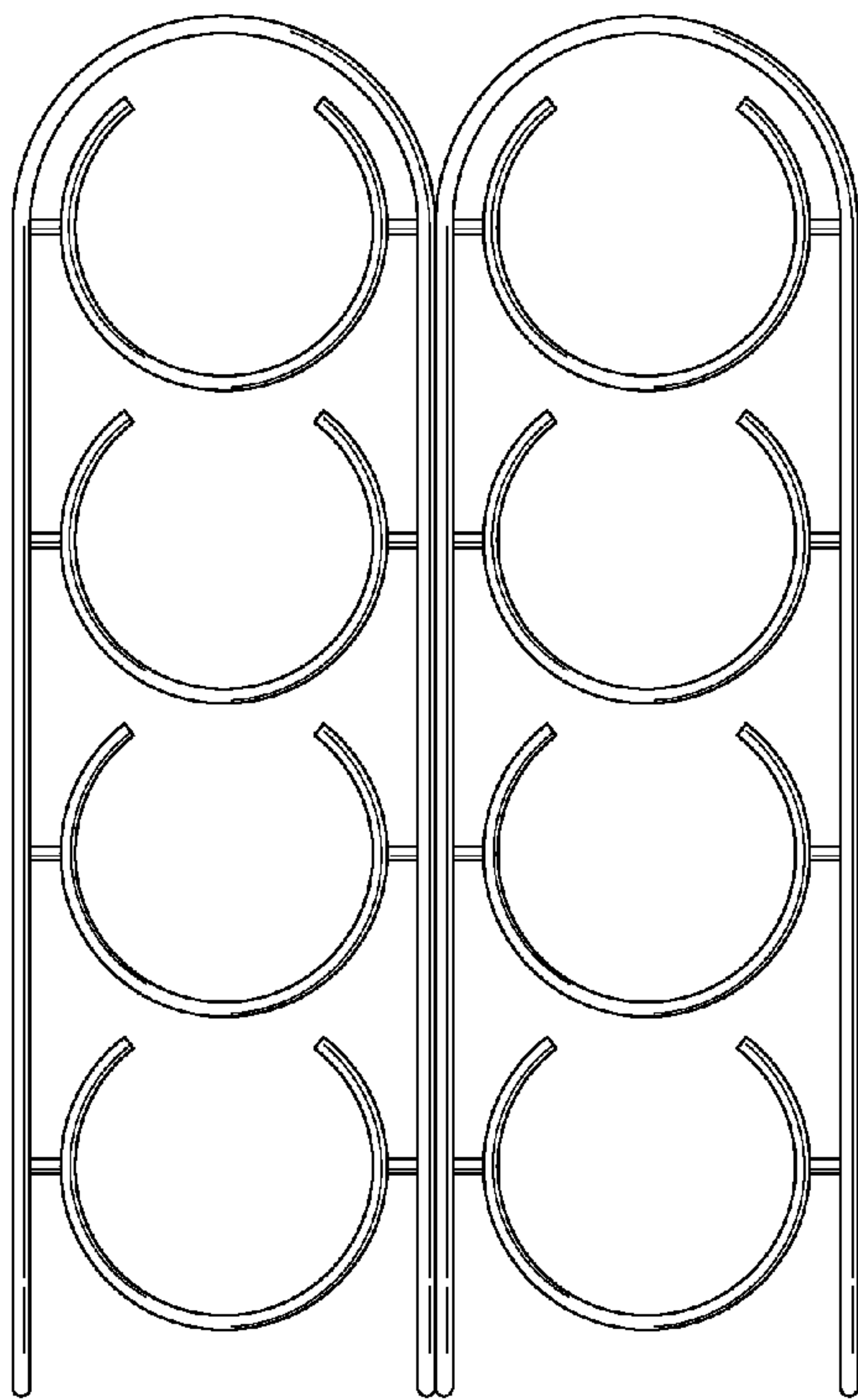


FIG. 8

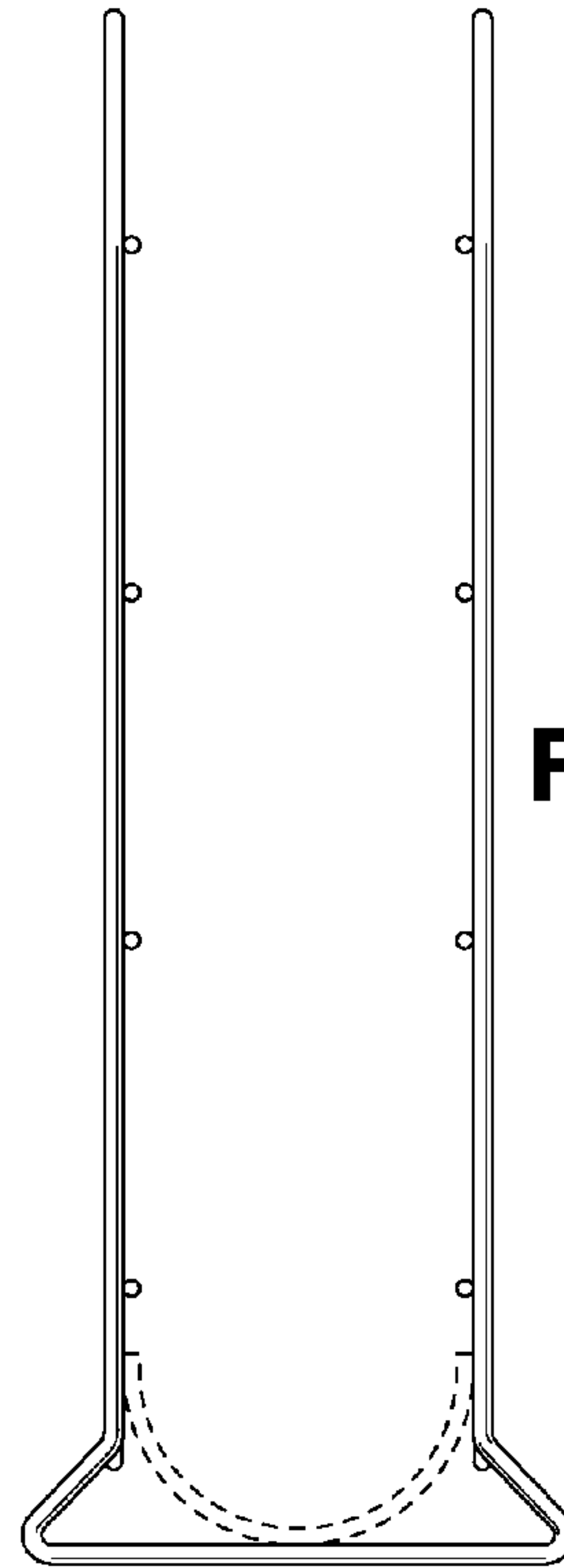


FIG. 9

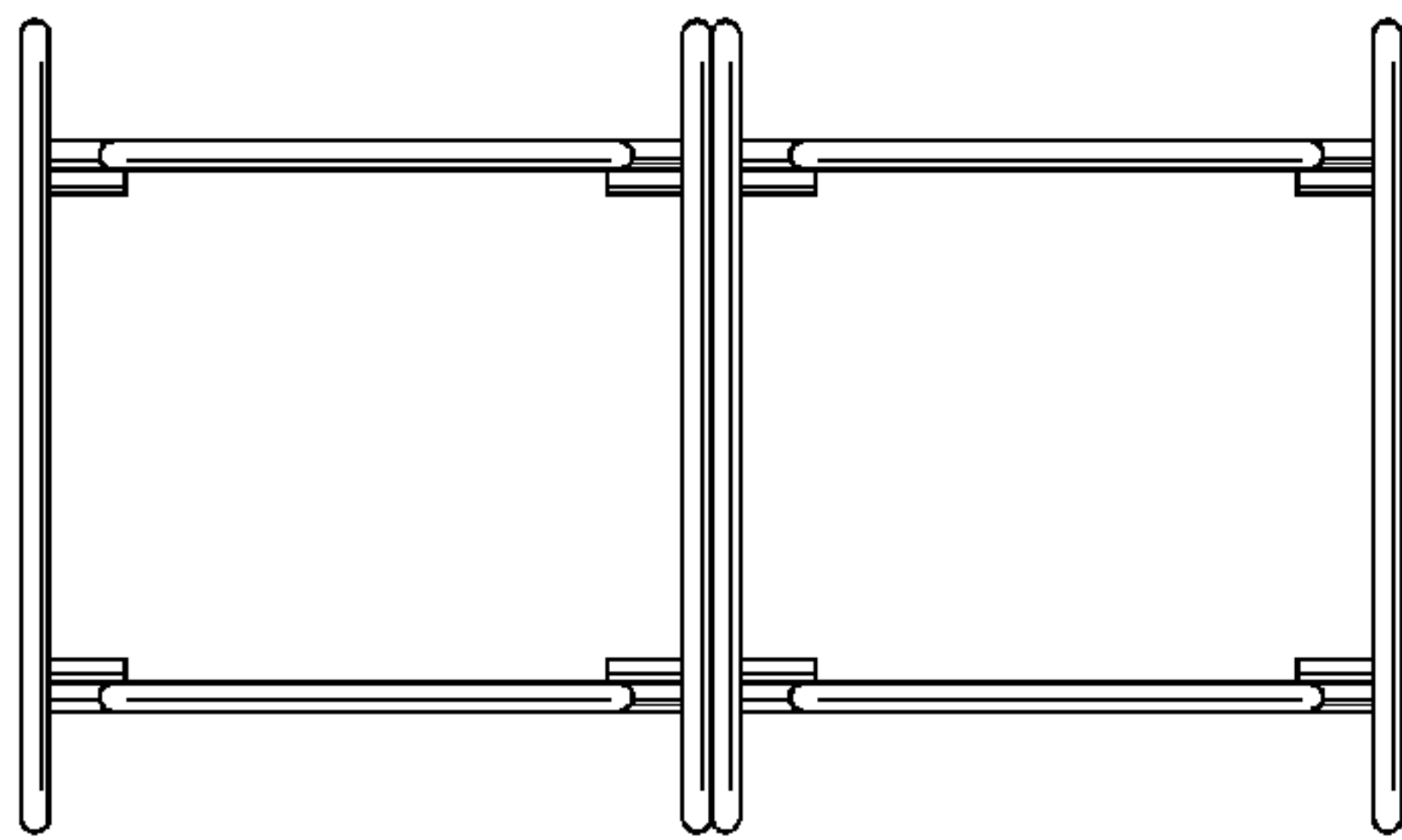


FIG. 10

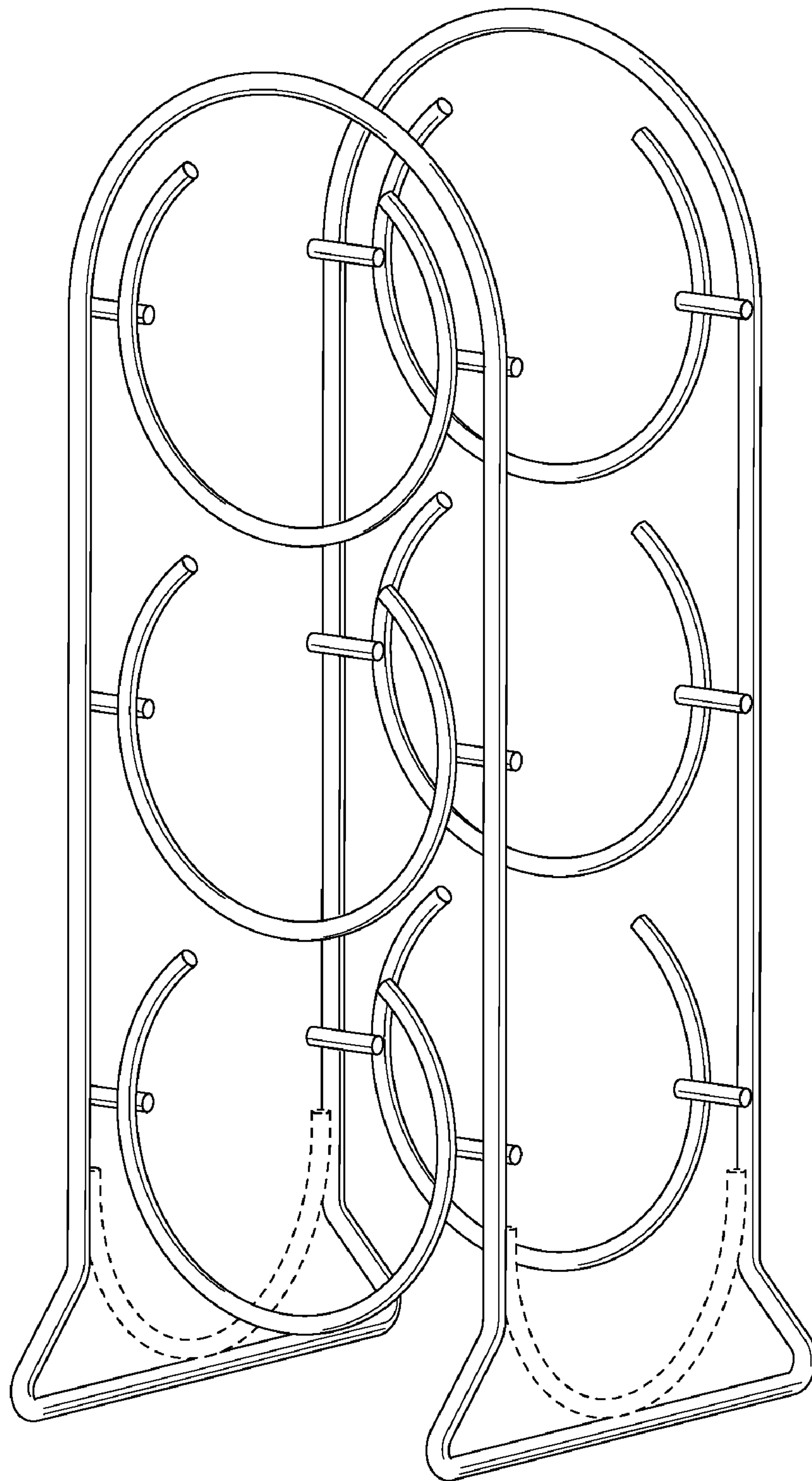


FIG. 11

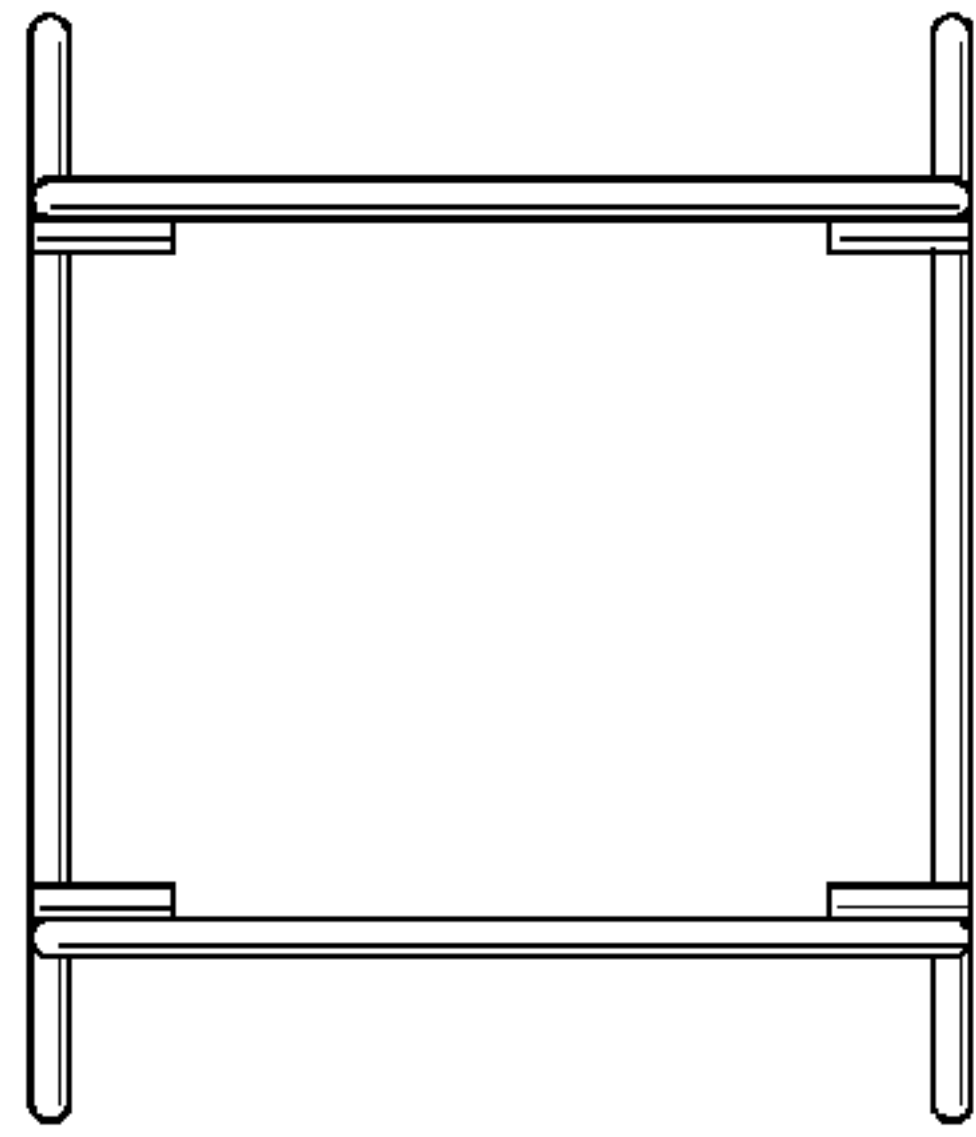


FIG. 12

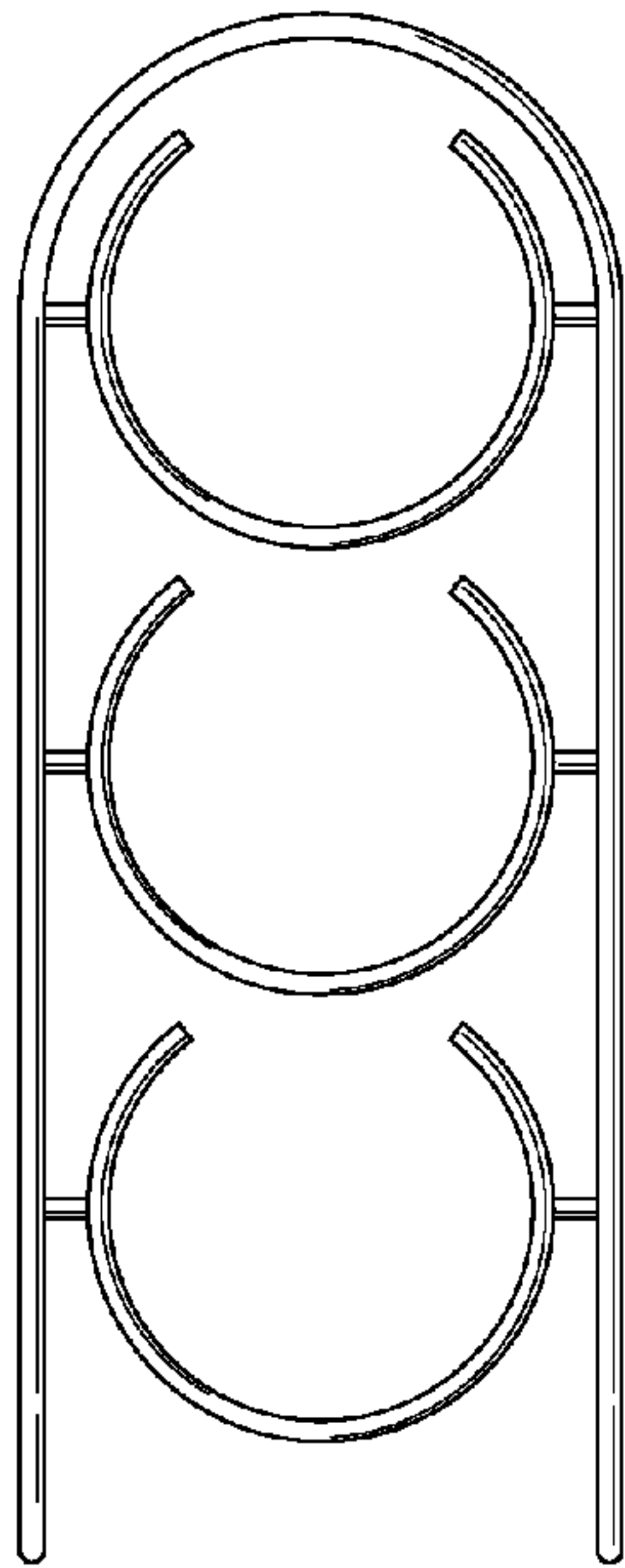


FIG. 13

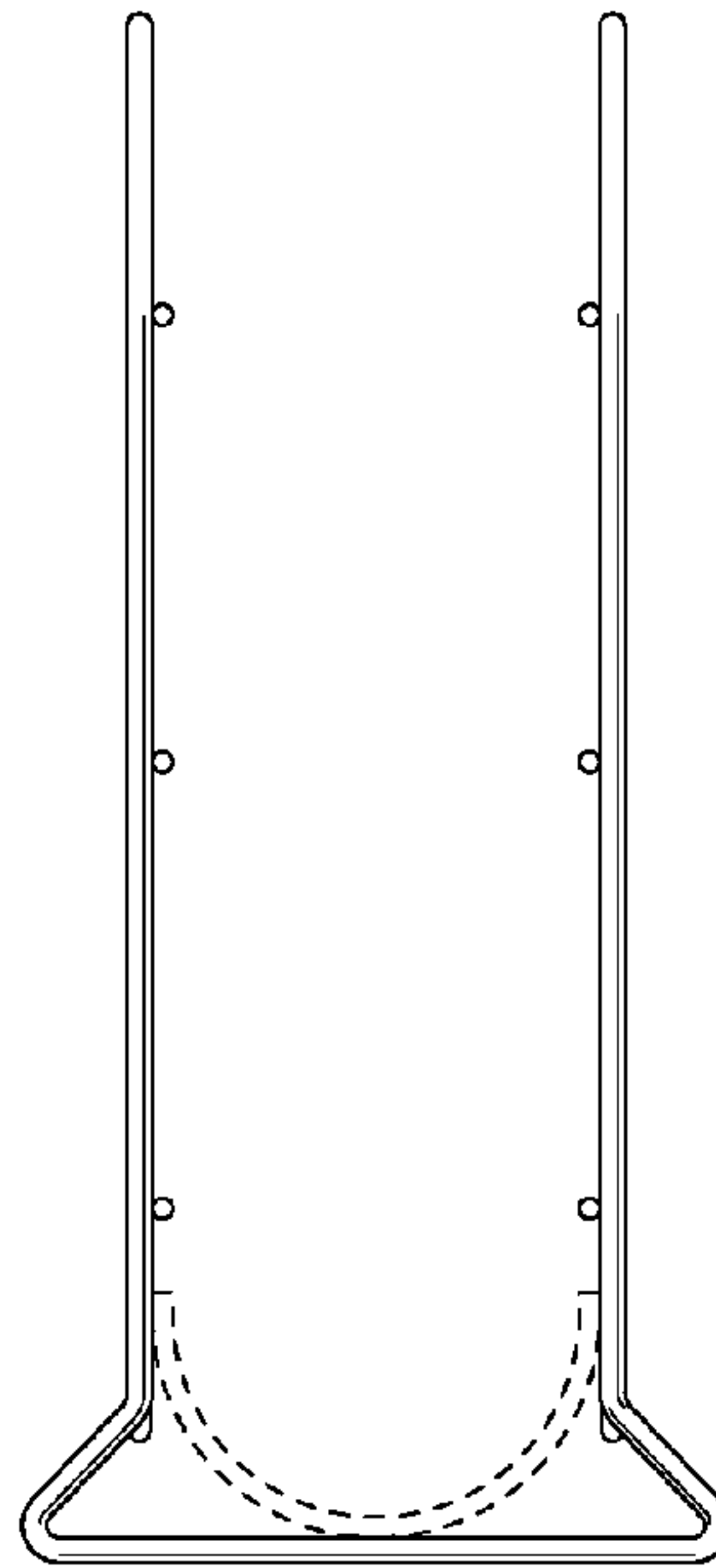


FIG. 14

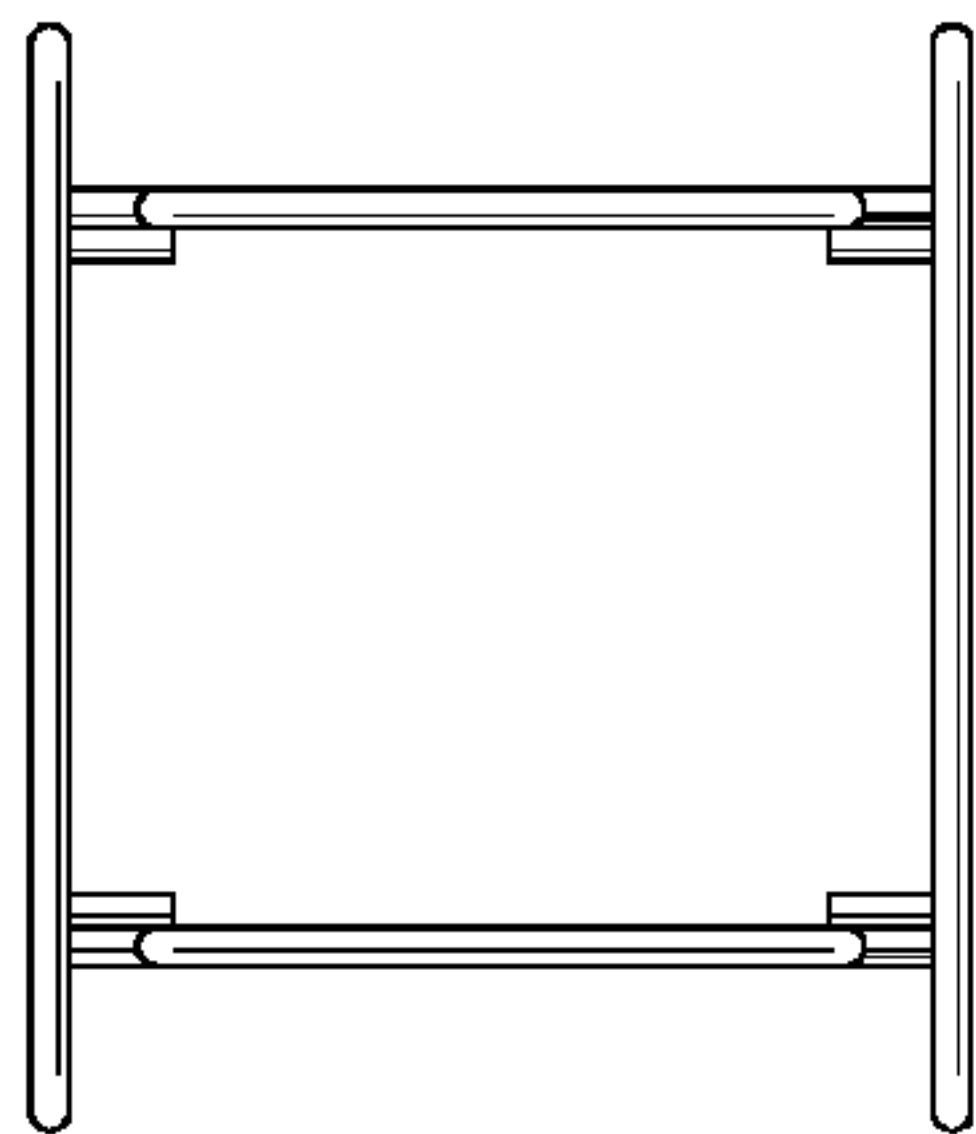


FIG. 15

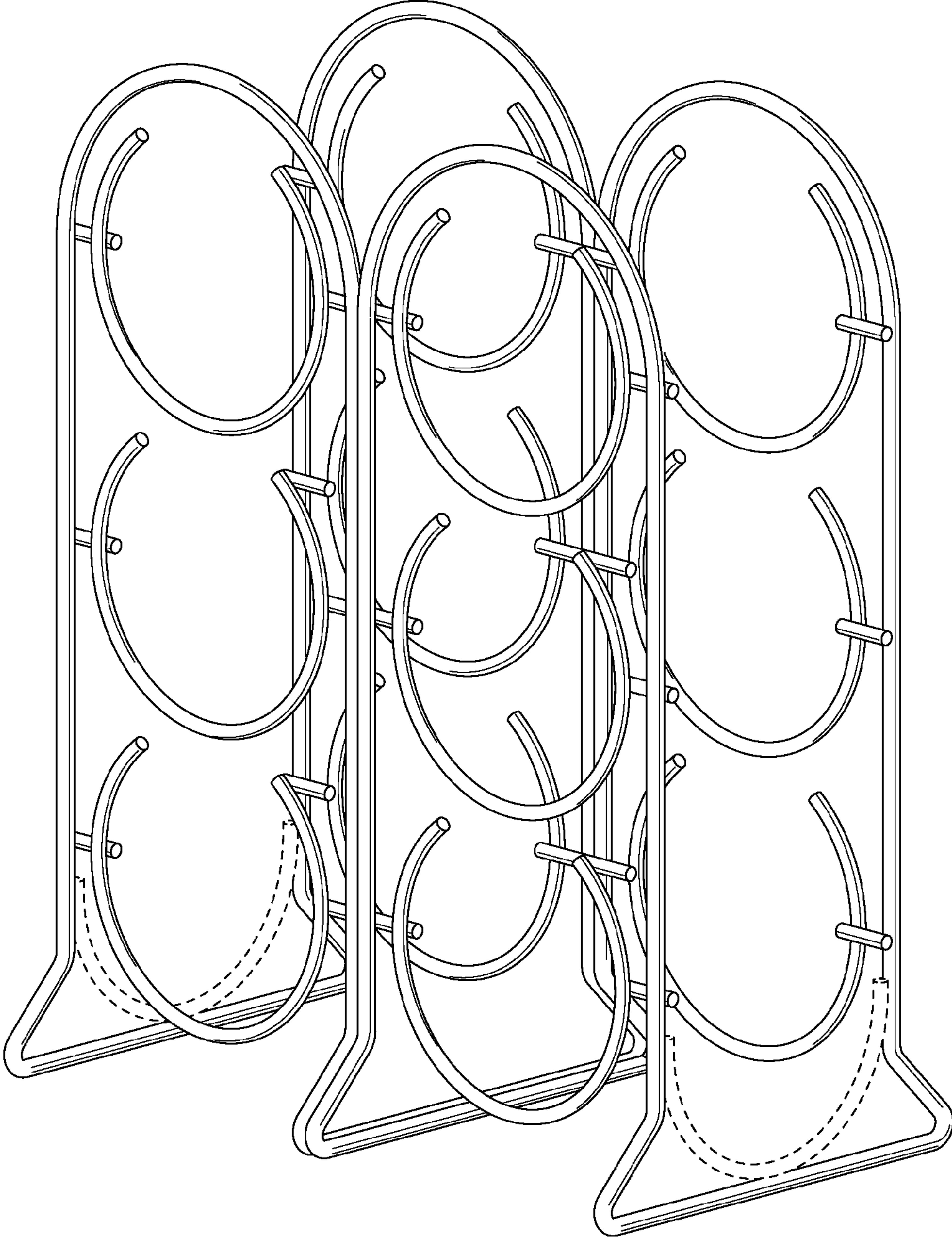


FIG. 16



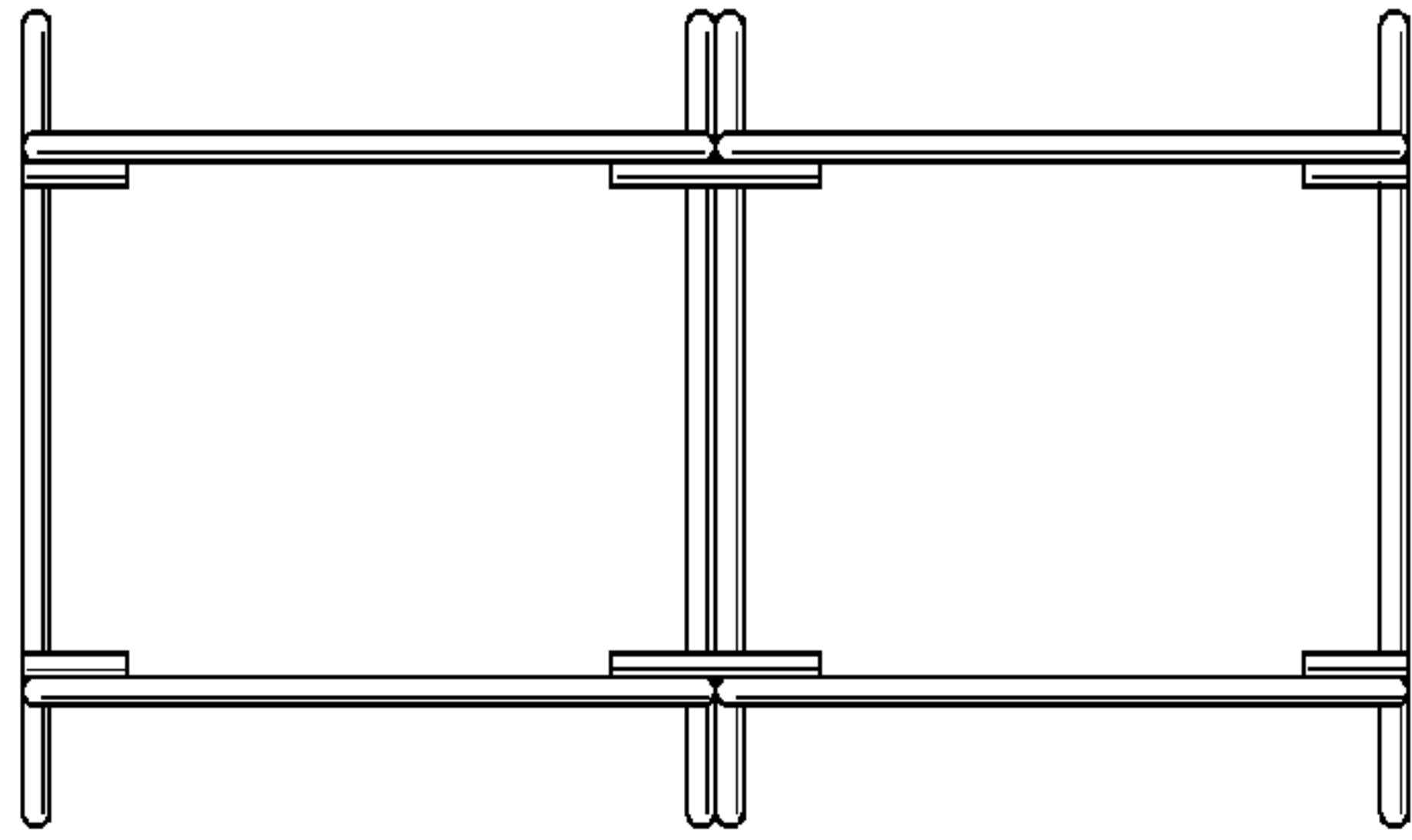


FIG. 17

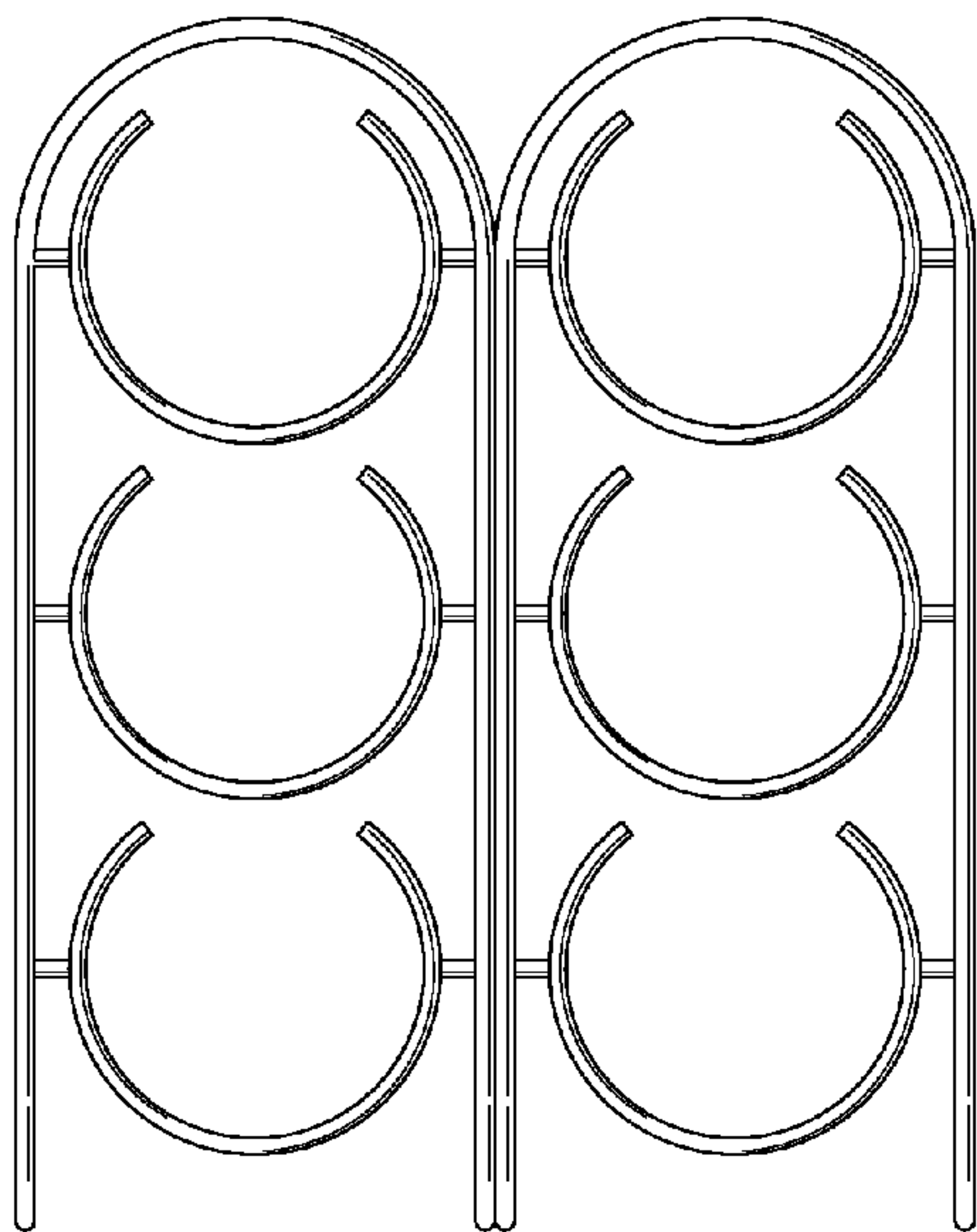


FIG. 18

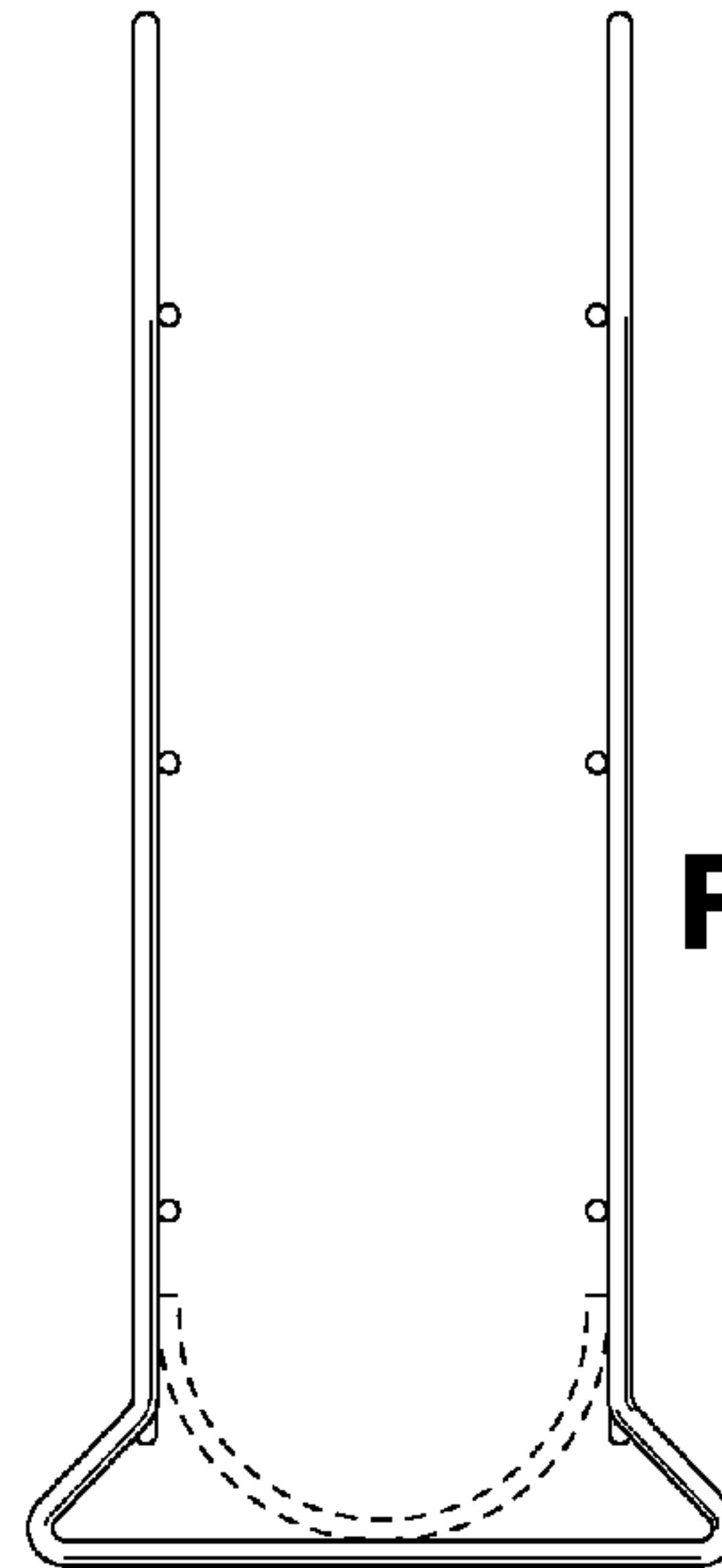


FIG. 19

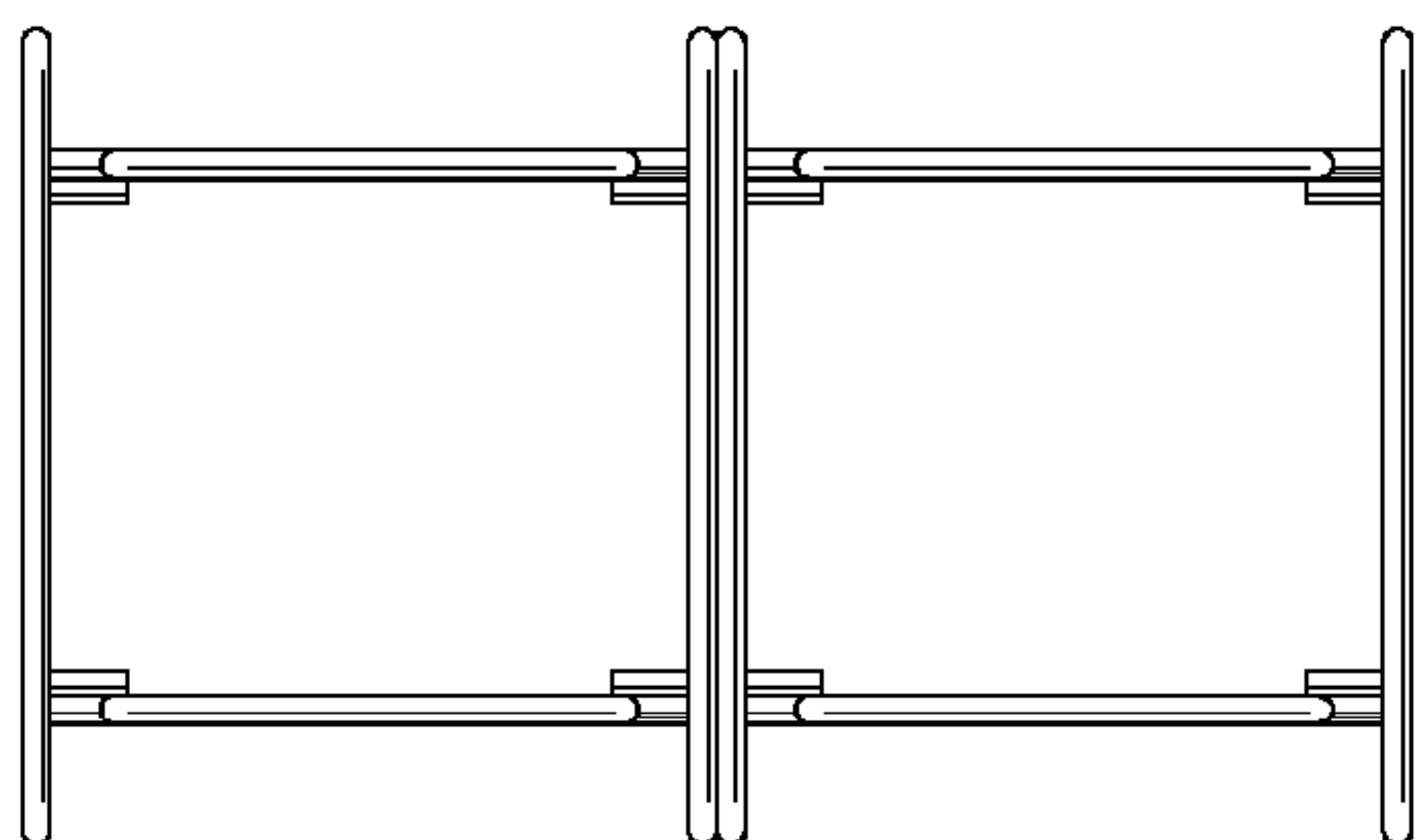


FIG. 20