



US00D616260S

(12) **United States Design Patent**  
**Facey et al.**

(10) **Patent No.:** **US D616,260 S**

(45) **Date of Patent:** **\*\* May 25, 2010**

(54) **CUPCAKE MOLD**

(76) Inventors: **Jeanette Facey**, 37 Briar Patch Rd.,  
Osterville, MA (US) 02655; **Mark**  
**Facey**, 37 Briar Patch Rd., Osterville,  
MA (US) 02655

(\*\*) Term: **14 Years**

(21) Appl. No.: **29/341,233**

(22) Filed: **Jul. 31, 2009**

(51) **LOC (9) Cl.** ..... **07-07**

(52) **U.S. Cl.** ..... **D7/675**

(58) **Field of Classification Search** ..... D7/672-677,  
D7/628, 606, 604, 610; D9/643; 249/119,  
249/121, 117, 170, 58, 141; 425/DIG. 57;  
426/306; D1/101, 102, 105, 106, 122, 199  
See application file for complete search history.

(56) **References Cited**

**U.S. PATENT DOCUMENTS**

928,162	A *	7/1909	Stewart	.....	249/170
2,392,561	A *	1/1946	Weber, Jr	.....	249/58
D215,113	S *	9/1969	Rasmusson	.....	D7/675
3,680,828	A *	8/1972	Swett	.....	249/134
D226,530	S *	3/1973	Carasso	.....	D7/672
D268,037	S *	2/1983	Wiseltier et al.	.....	D21/472
D325,112	S *	4/1992	Thompson	.....	D1/118
6,896,140	B1 *	5/2005	Perry	.....	206/551

D521,872 S \* 5/2006 Wu ..... D9/643  
D527,520 S \* 9/2006 Green ..... D3/271.1

\* cited by examiner

*Primary Examiner*—Terry A Wallace

(74) *Attorney, Agent, or Firm*—Leason Ellis LLP

(57) **CLAIM**

The ornamental design for a cupcake mold, as shown and described.

**DESCRIPTION**

FIG. 1 is a top plan view of a cupcake mold in a closed position showing my new design;

FIG. 2 is a left side plan view thereof, the right side view being a mirror image;

FIG. 3 is a side plan view shown rotated ninety degrees about a central vertical axis as compared to the view of FIG. 2;

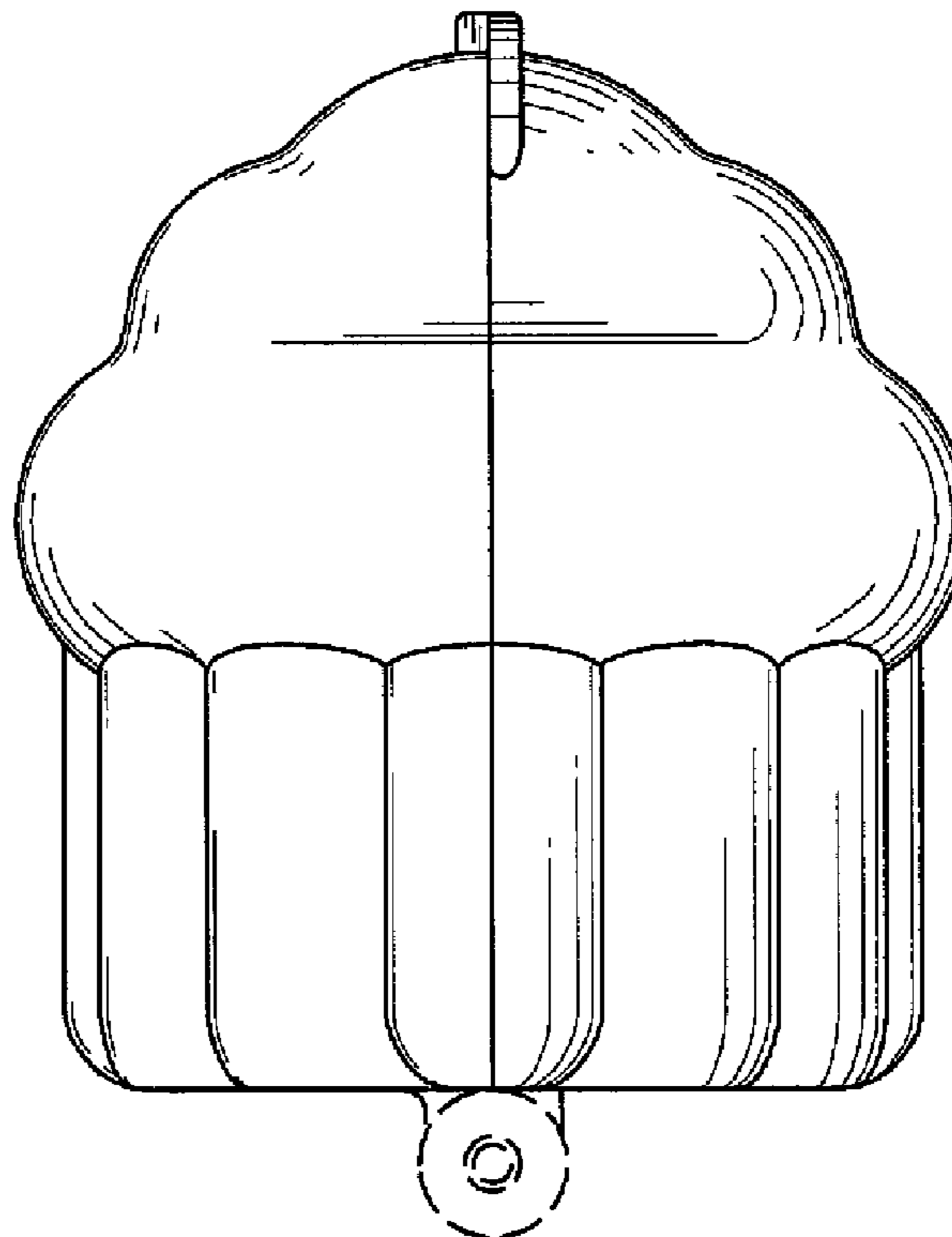
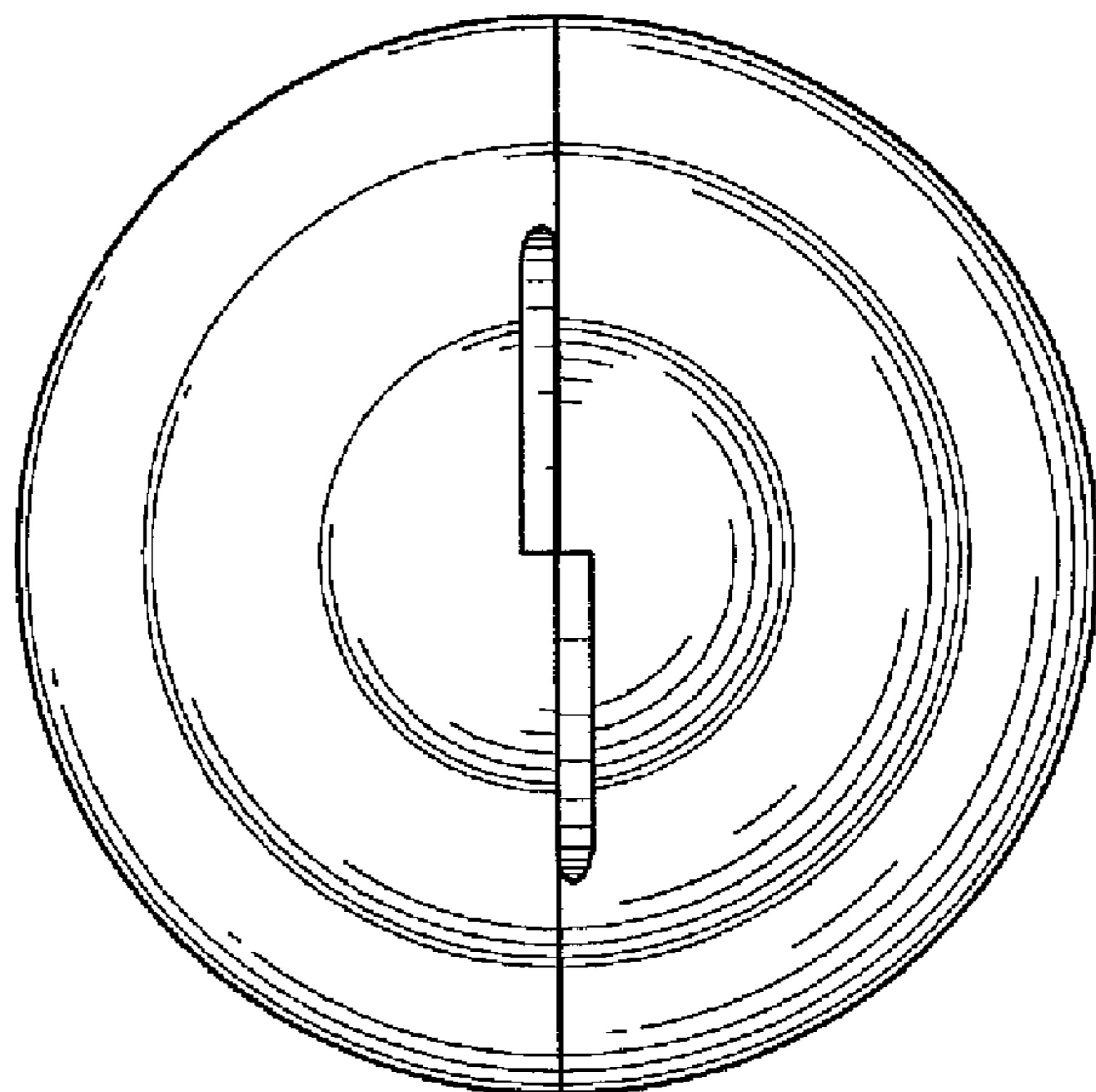
FIG. 4 is a bottom plan view thereof;

FIG. 5 is a perspective view showing an interior of the cupcake mold in a partially-opened position; and,

FIG. 6 is a perspective view showing an exterior of the cupcake mold in a partially-opened position.

The broken lines of FIGS. 2-6 are for illustrative purposes only to show an exemplary hinge and form no part of the claimed design.

**1 Claim, 2 Drawing Sheets**



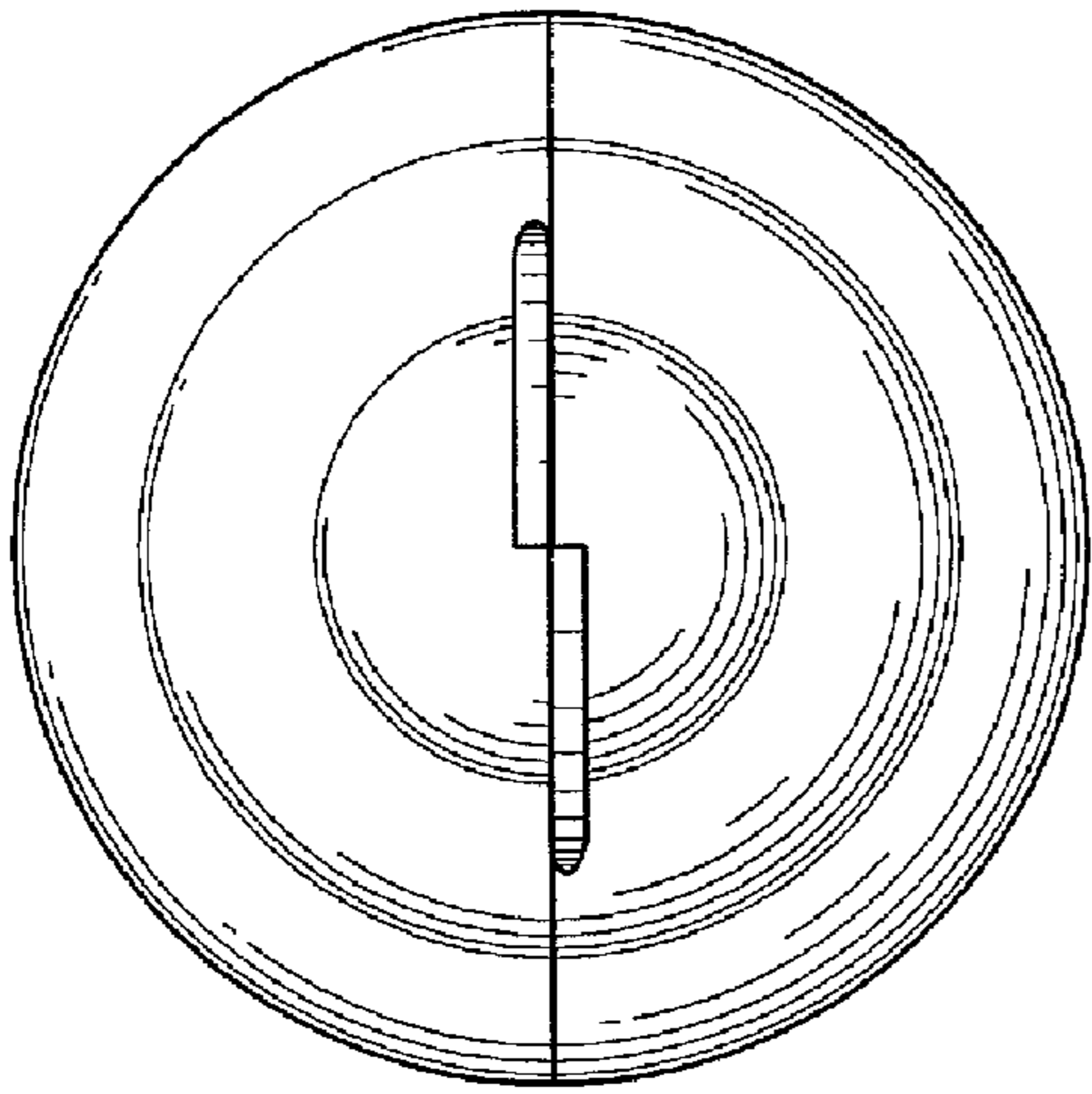


Fig. 1

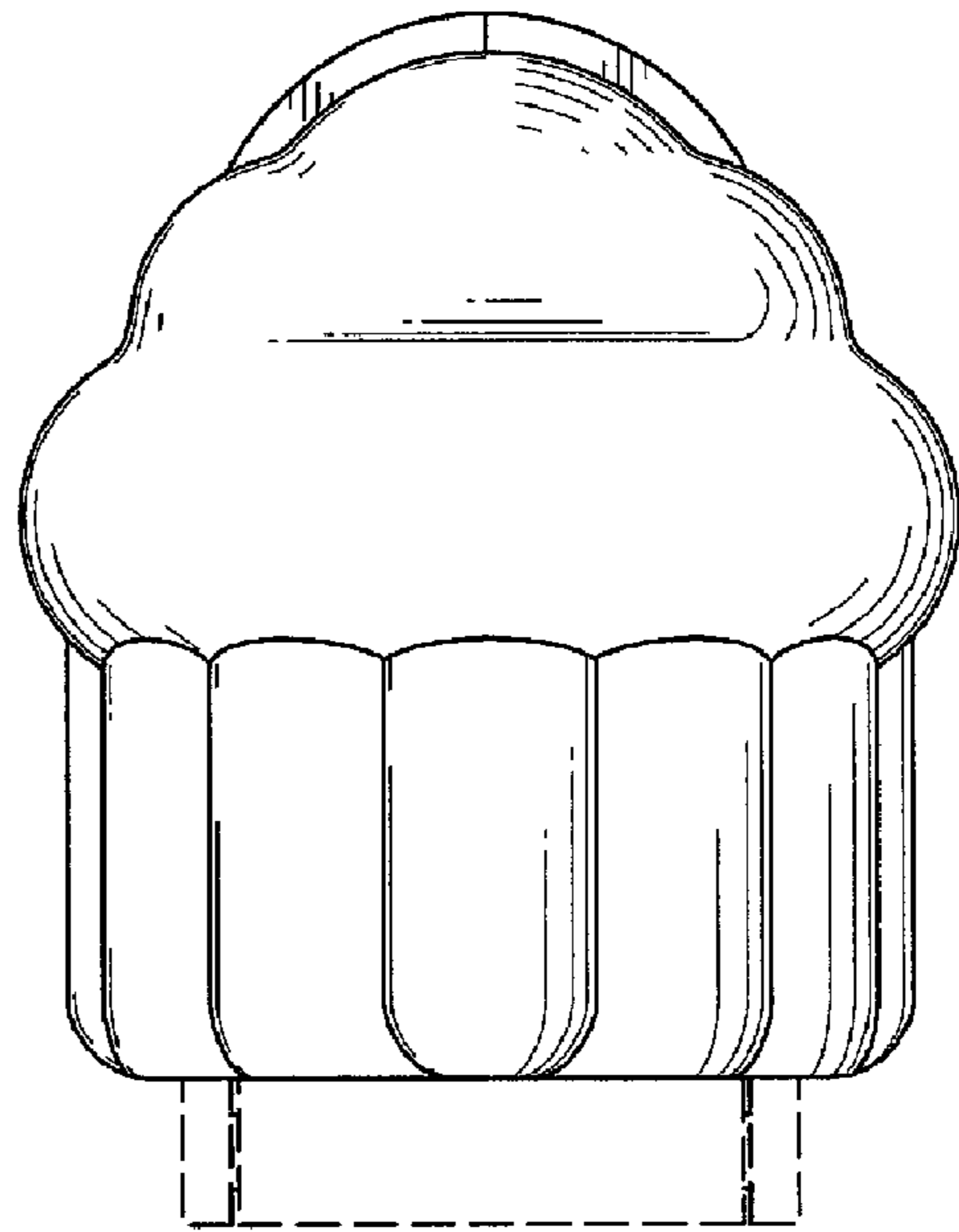


Fig. 2

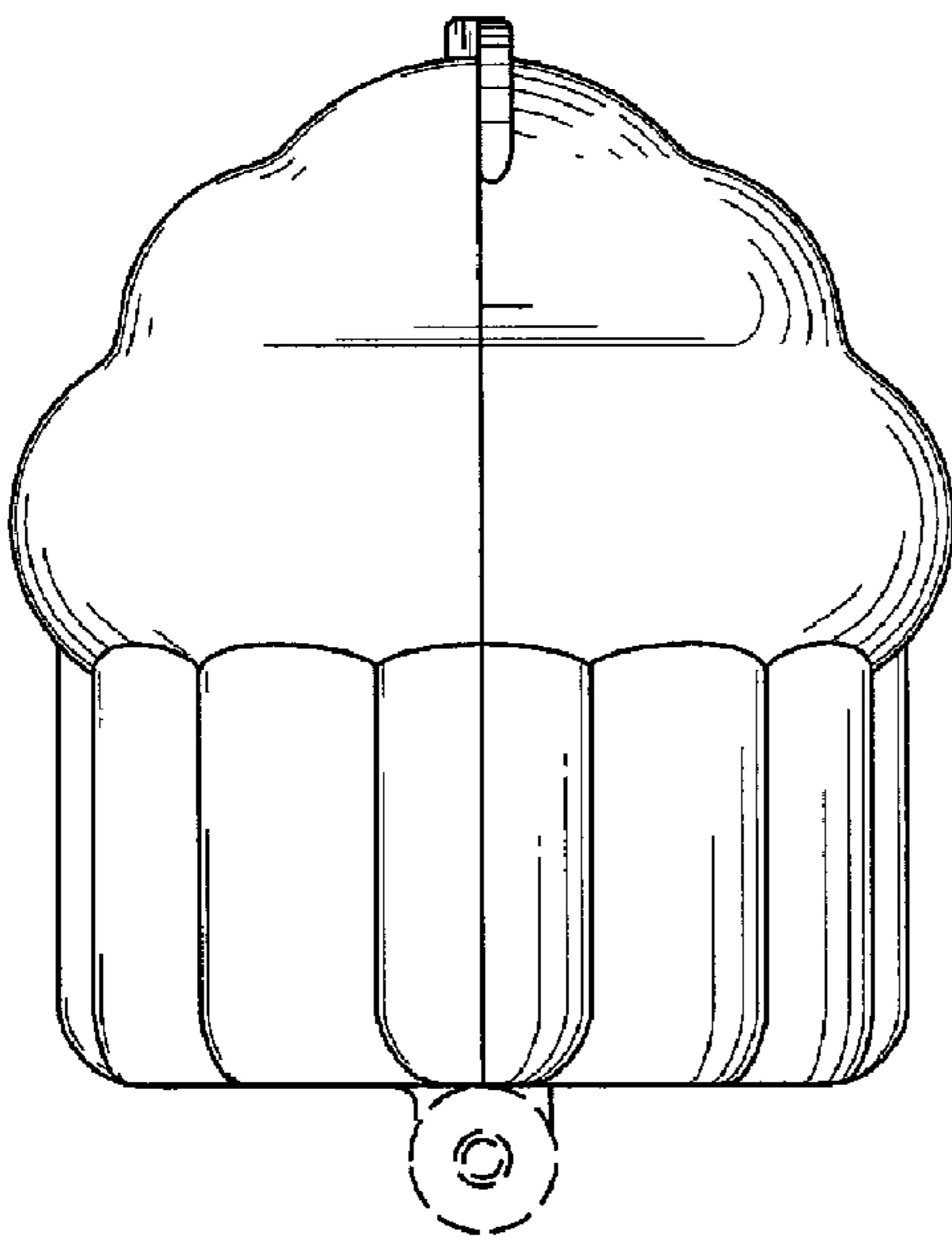


Fig. 3

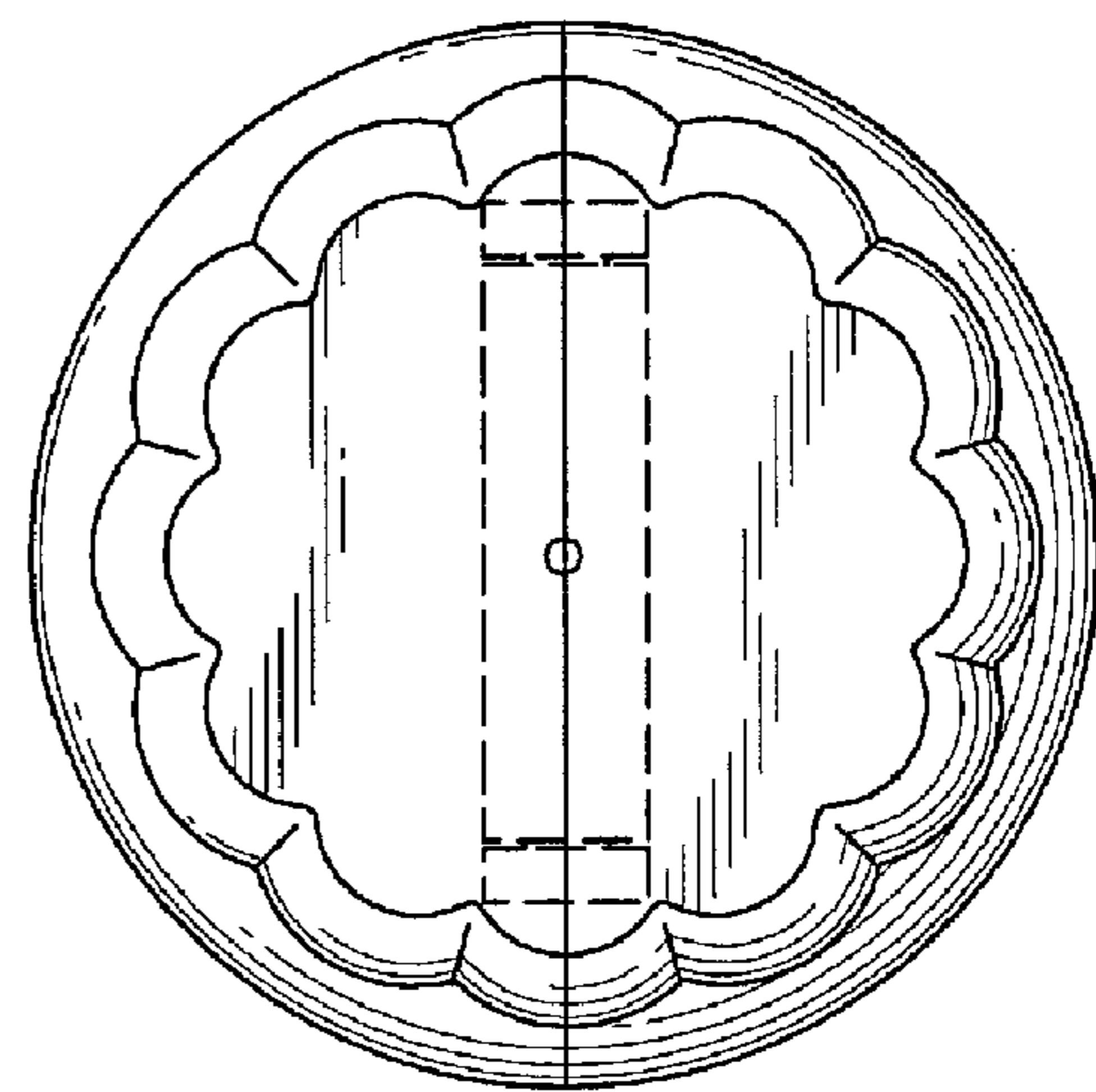


Fig. 4

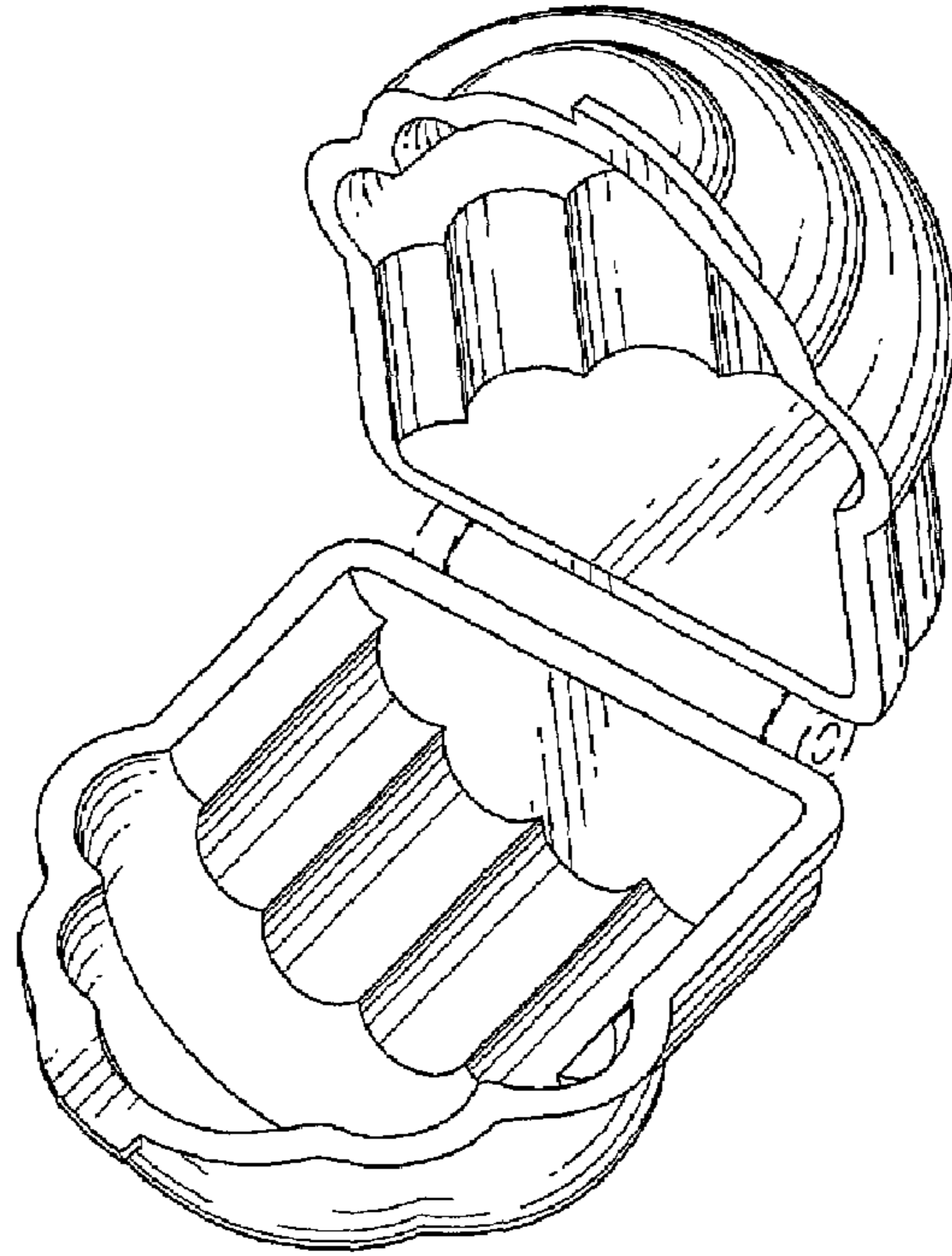


Fig. 5

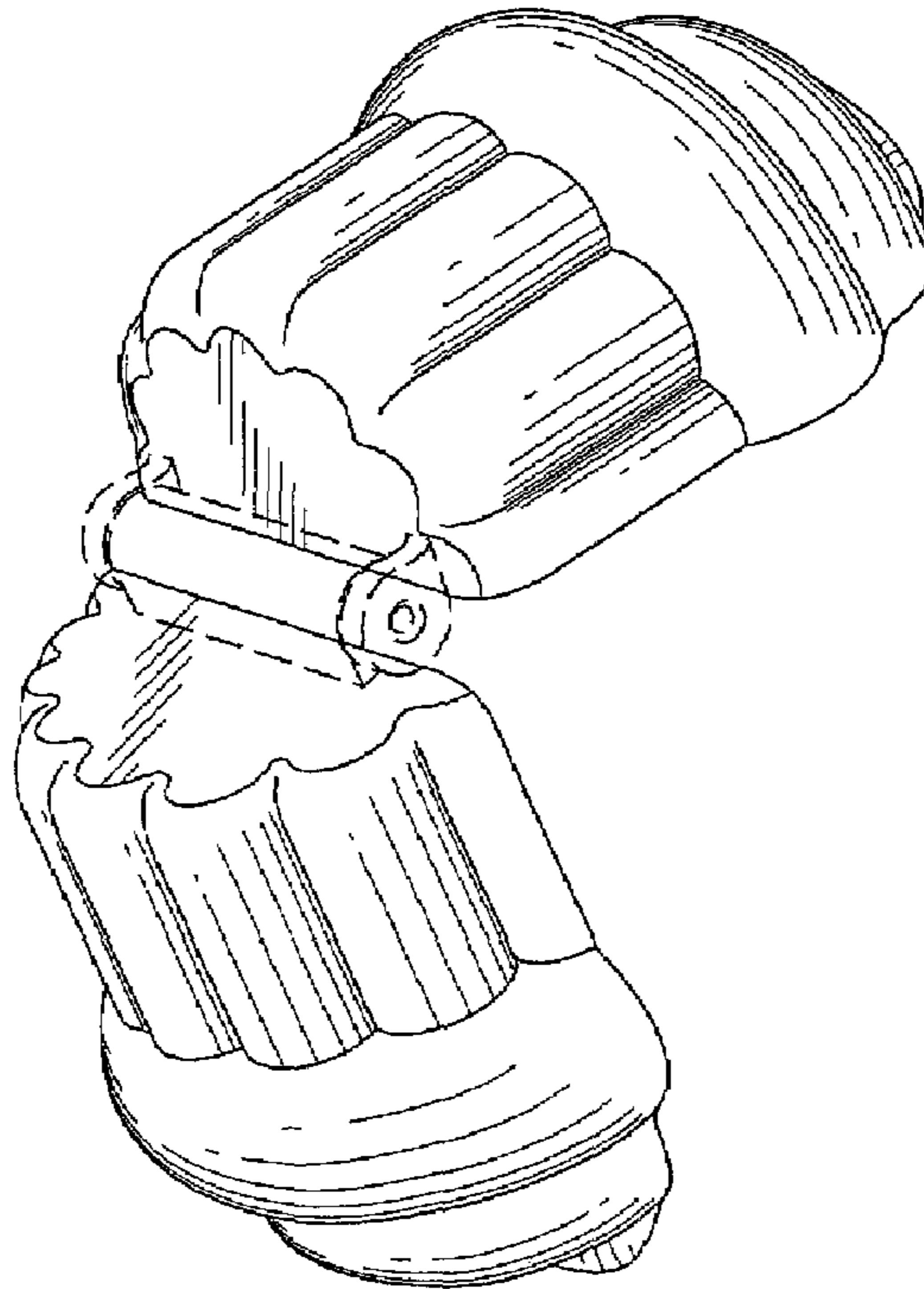


Fig. 6