



US00D616254S

(12) **United States Design Patent**
Goodman et al.

(10) **Patent No.:** **US D616,254 S**
(45) **Date of Patent:** **** May 25, 2010**

(54) **FRUIT BOWL**

(75) Inventors: **Sheldon H. Goodman**, Solon, OH (US);
Omer I. Sazir, Cleveland, OH (US);
Elizabeth A. Cho, Strongsville, OH
(US)

(73) Assignee: **Spectrum Diversified Designs, Inc.**,
Streetsboro, OH (US)

(**) Term: **14 Years**

(21) Appl. No.: **29/342,558**

(22) Filed: **Aug. 27, 2009**

(51) **LOC (9) Cl.** **07-01**

(52) **U.S. Cl.** **D7/601**

(58) **Field of Classification Search** D7/601,
D7/602, 629, 704, 584-587, 409; D19/76;
D3/304, 306; 211/191.1, 13.1, 41.3, 41.4,
211/86.01, 88.01; 220/574-575

See application file for complete search history.

(56) **References Cited**

U.S. PATENT DOCUMENTS

2,924,168 A * 2/1960 Jamentz 99/426
D274,880 S * 7/1984 Bentson D7/409

D339,266 S * 9/1993 Lockett D7/409
D371,228 S * 6/1996 Monin D30/121
D446,688 S * 8/2001 Vanello D7/601
D519,325 S * 4/2006 Goodman et al. D7/601
D536,873 S * 2/2007 Thorsteinsson et al. D3/306
D586,558 S * 2/2009 Ziemann et al. D3/304

* cited by examiner

Primary Examiner—Terry A Wallace

(74) *Attorney, Agent, or Firm*—Pearne & Gordon LLP

(57) **CLAIM**

The ornamental design for a fruit bowl, as shown and described.

DESCRIPTION

FIG. 1 is a perspective view of a fruit bowl showing our new design;

FIG. 2 is a front elevational view thereof;

FIG. 3 is a bottom plan view thereof;

FIG. 4 is a top plan view thereof; and,

FIG. 5 is a side elevational view thereof.

The dotted-line showing in the drawings illustrates environmental matter and forms no part of the claimed design.

1 Claim, 3 Drawing Sheets



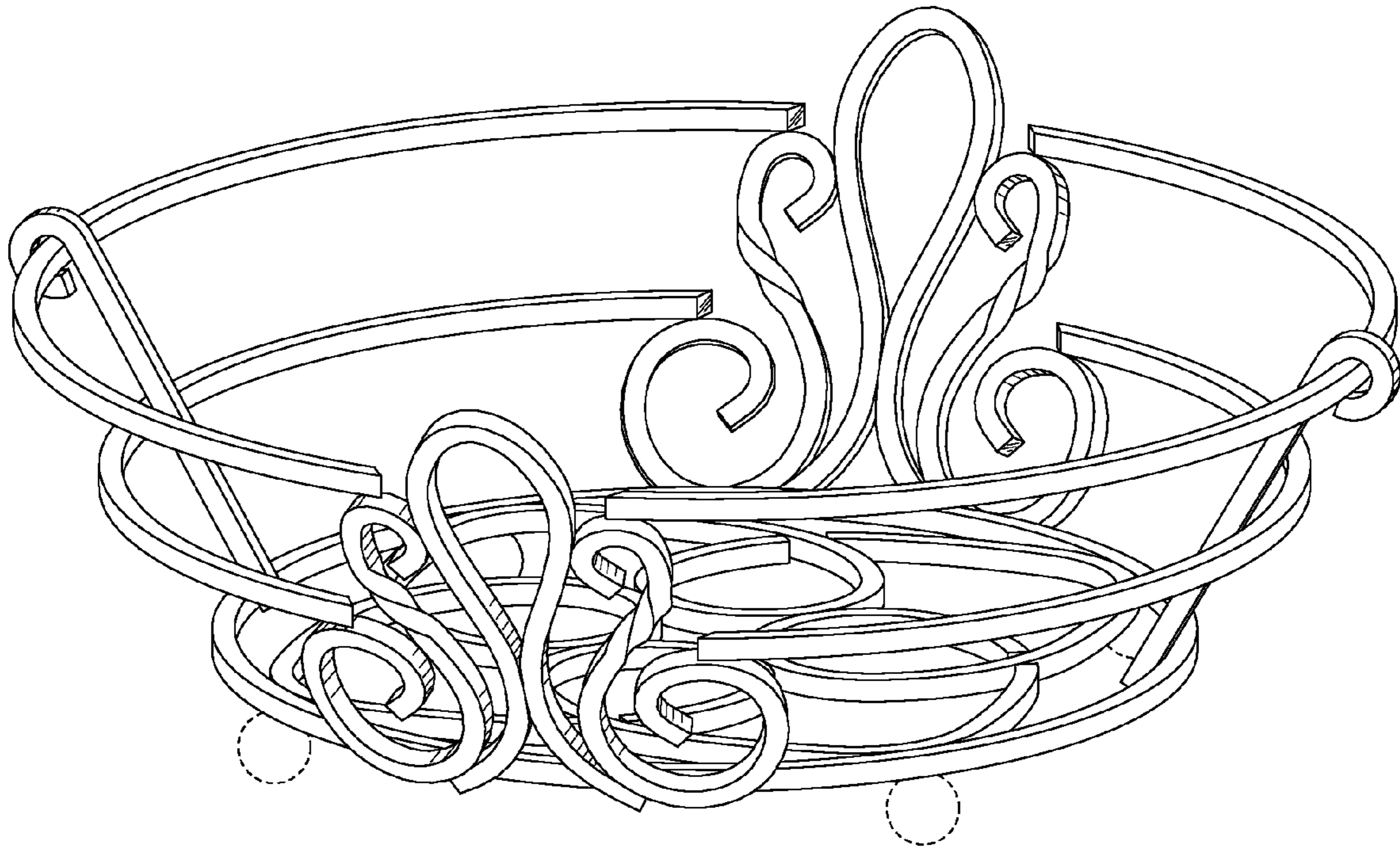


FIG. 1

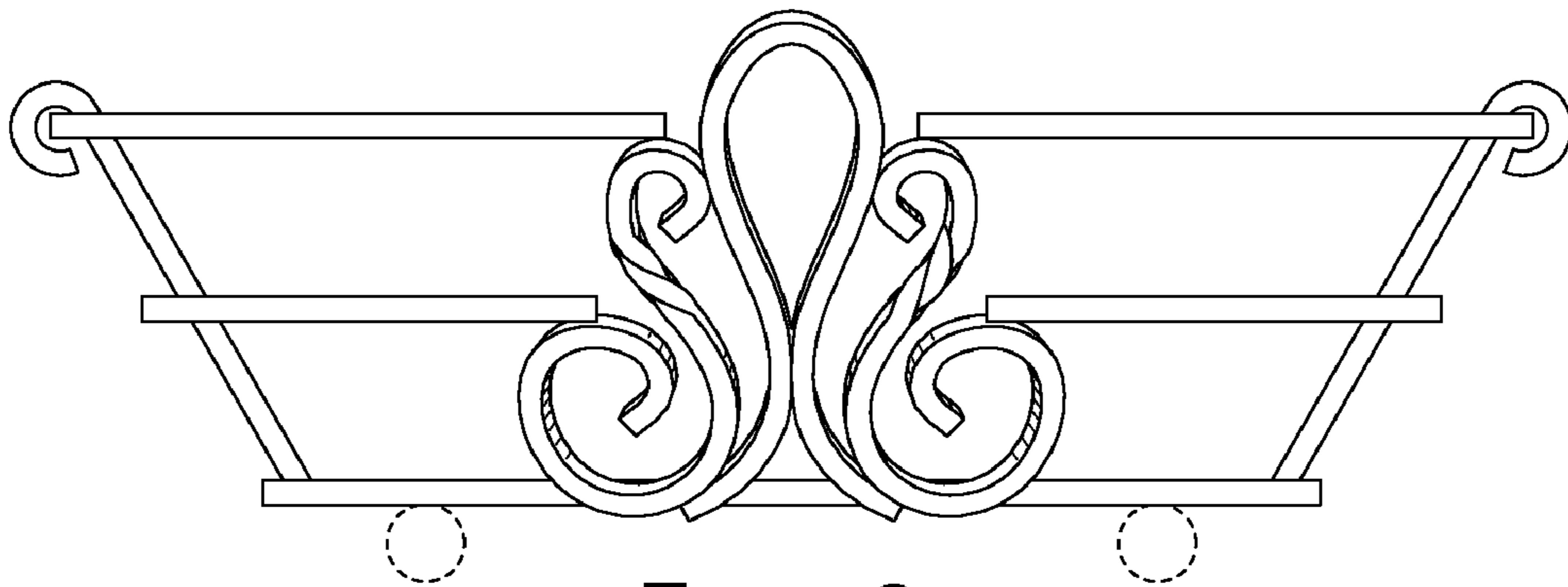


FIG. 2

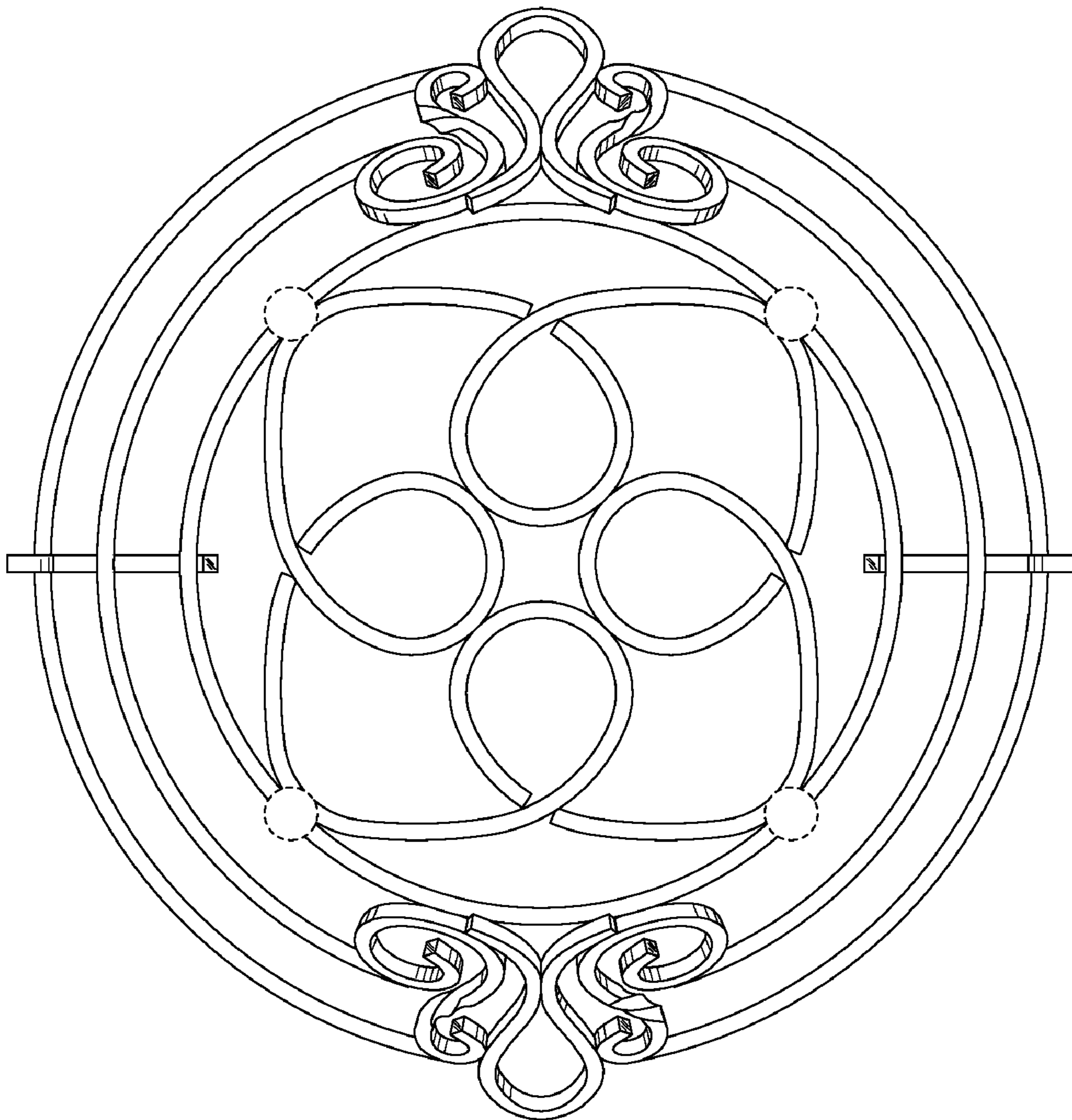


FIG. 3

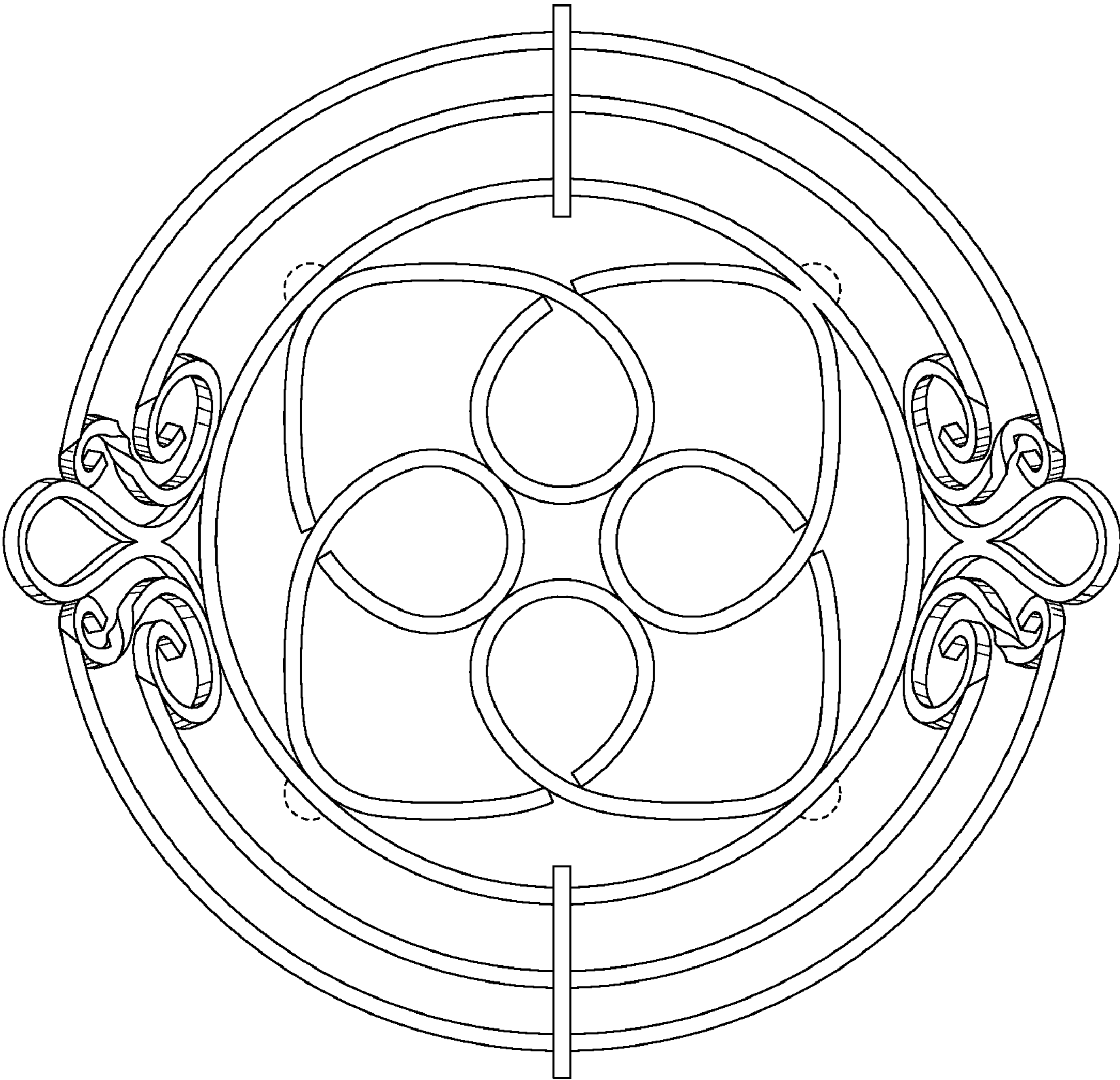


FIG. 4

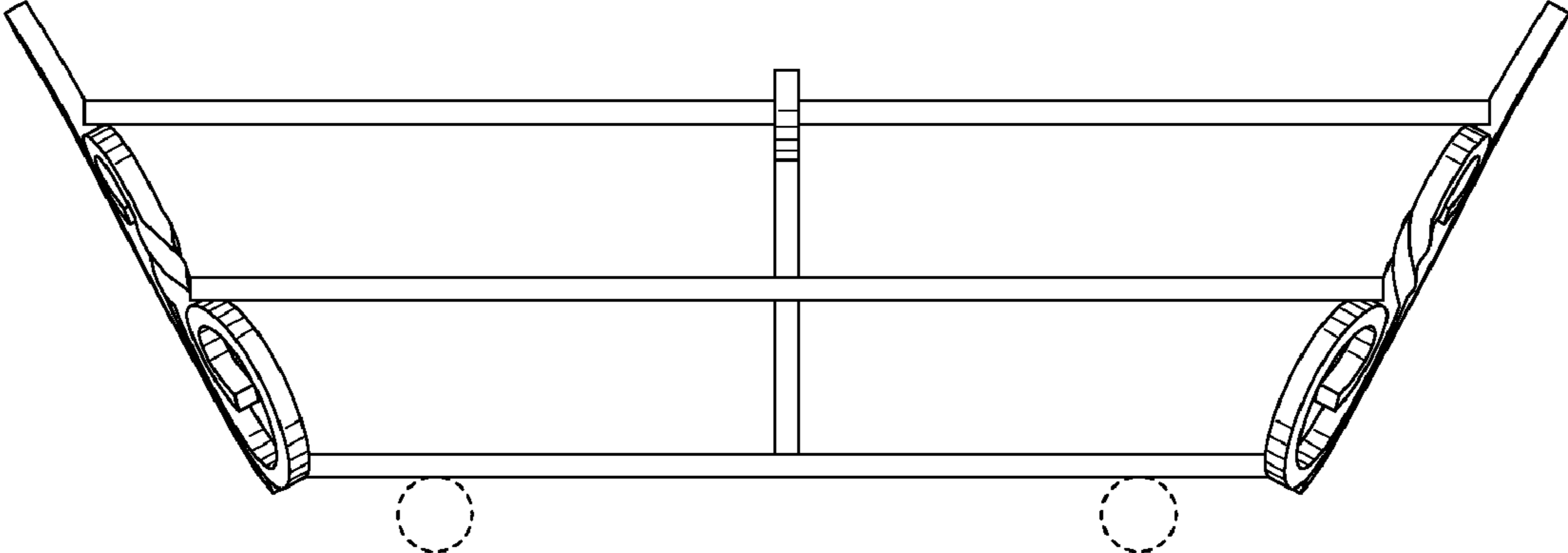


FIG. 5