



US00D616253S

(12) **United States Design Patent**
Goodman et al.

(10) **Patent No.:** **US D616,253 S**
(45) **Date of Patent:** **** May 25, 2010**

(54) **FRUIT BOWL**

(75) Inventors: **Sheldon H. Goodman**, Solon, OH (US);
Omer I. Sazir, Cleveland, OH (US)

(73) Assignee: **Spectrum Diversified Designs, Inc.**,
Streetsboro, OH (US)

(**) Term: **14 Years**

(21) Appl. No.: **29/340,249**

(22) Filed: **Jul. 15, 2009**

(51) **LOC (9) Cl.** **07-01**

(52) **U.S. Cl.** **D7/601**

(58) **Field of Classification Search** D7/601,
D7/602, 629, 704, 409, 584-587, 500; D6/525,
D6/566, 567, 511, 572, 574, 537, 540; D19/76;
D3/304, 306; 211/181.1, 13.1, 41.3, 41.4,
211/86.01, 88.01; 220/574-575
See application file for complete search history.

(56) **References Cited**

U.S. PATENT DOCUMENTS

D274,880 S *	7/1984	Bentson	D7/409
D339,266 S *	9/1993	Lockett	D7/409
D371,228 S *	6/1996	Monin	D7/409
D446,688 S *	8/2001	Vanello	D7/601
D519,325 S *	4/2006	Goodman et al.	D7/601
D536,873 S *	2/2007	Thorsteinsson et al.	D3/306
7,340,859 B2 *	3/2008	Palsrok	211/181.1

* cited by examiner

Primary Examiner—Terry A Wallace
(74) *Attorney, Agent, or Firm*—Pearne & Gordon LLP

(57) **CLAIM**

The ornamental design for a fruit bowl, as shown and described.

DESCRIPTION

FIG. 1 is a perspective view of a fruit bowl showing our new design;

FIG. 2 is a top plan view thereof;

FIG. 3 is a front elevational view thereof;

FIG. 4 is a right side elevational view thereof, the left side elevational view being a mirror image;

FIG. 5 is a rear elevational view thereof;

FIG. 6 is a bottom plan view thereof;

FIG. 7 is a perspective view of a fruit bowl in accordance with FIG. 1, modified to include a banana tree;

FIG. 8 is a top plan view thereof;

FIG. 9 is a front elevational view thereof;

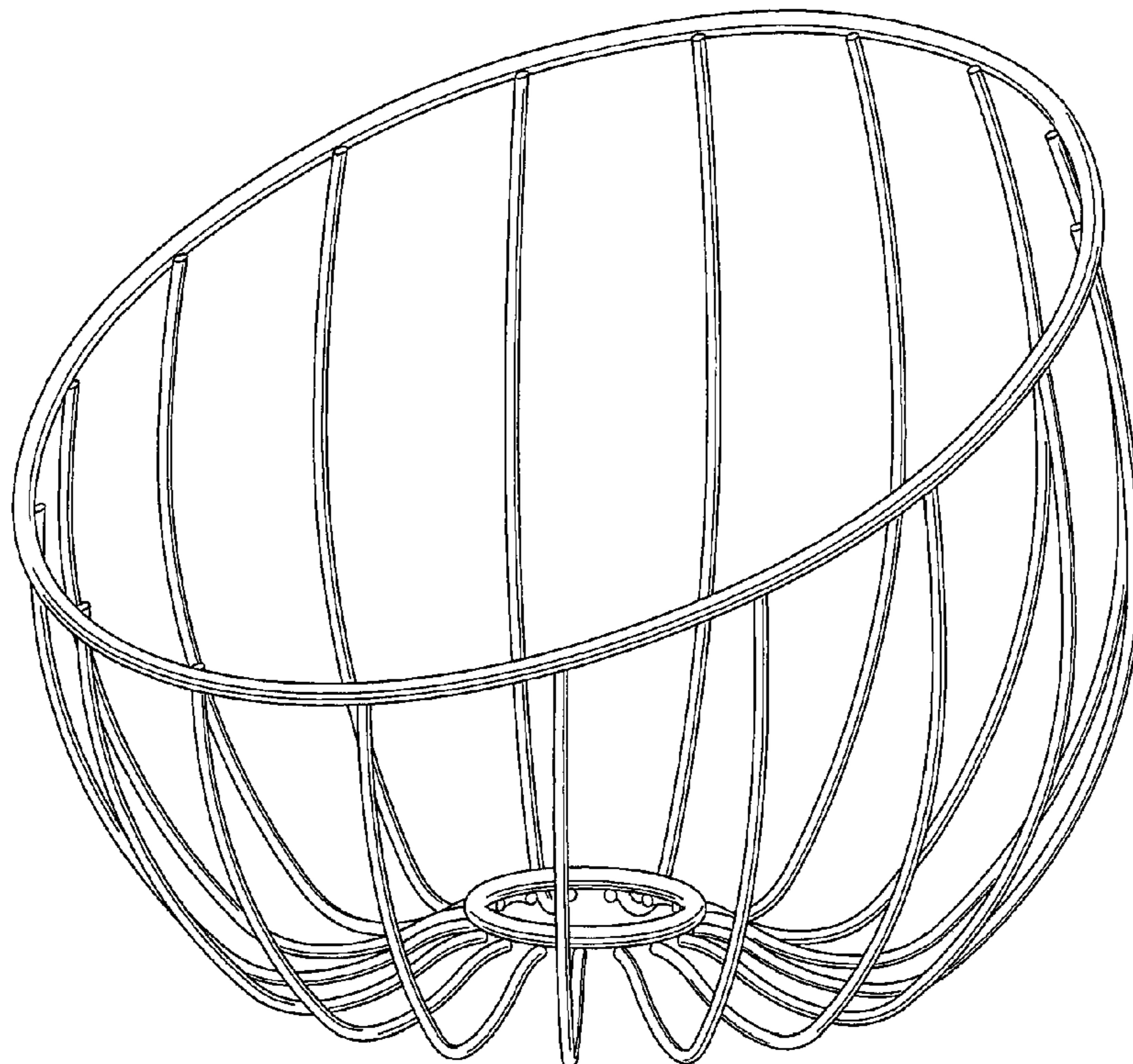
FIG. 10 is a right side elevational view thereof, the left side elevational view being a mirror image;

FIG. 11 is a rear elevational view thereof; and,

FIG. 12 is a bottom plan view thereof.

The dotted-line showing in the drawings illustrates environmental matter and forms no part of the claimed design.

1 Claim, 6 Drawing Sheets



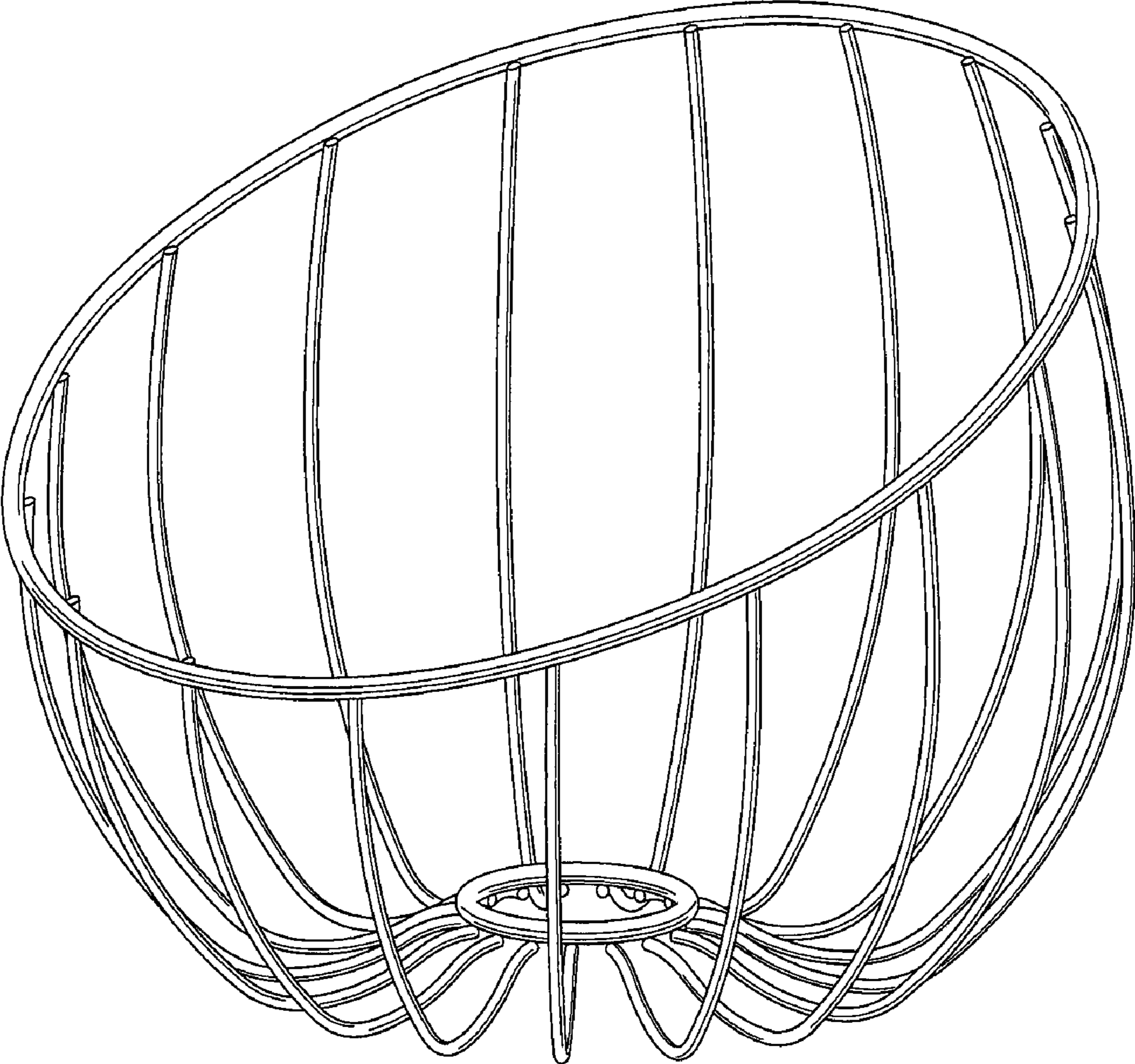


FIG. 1

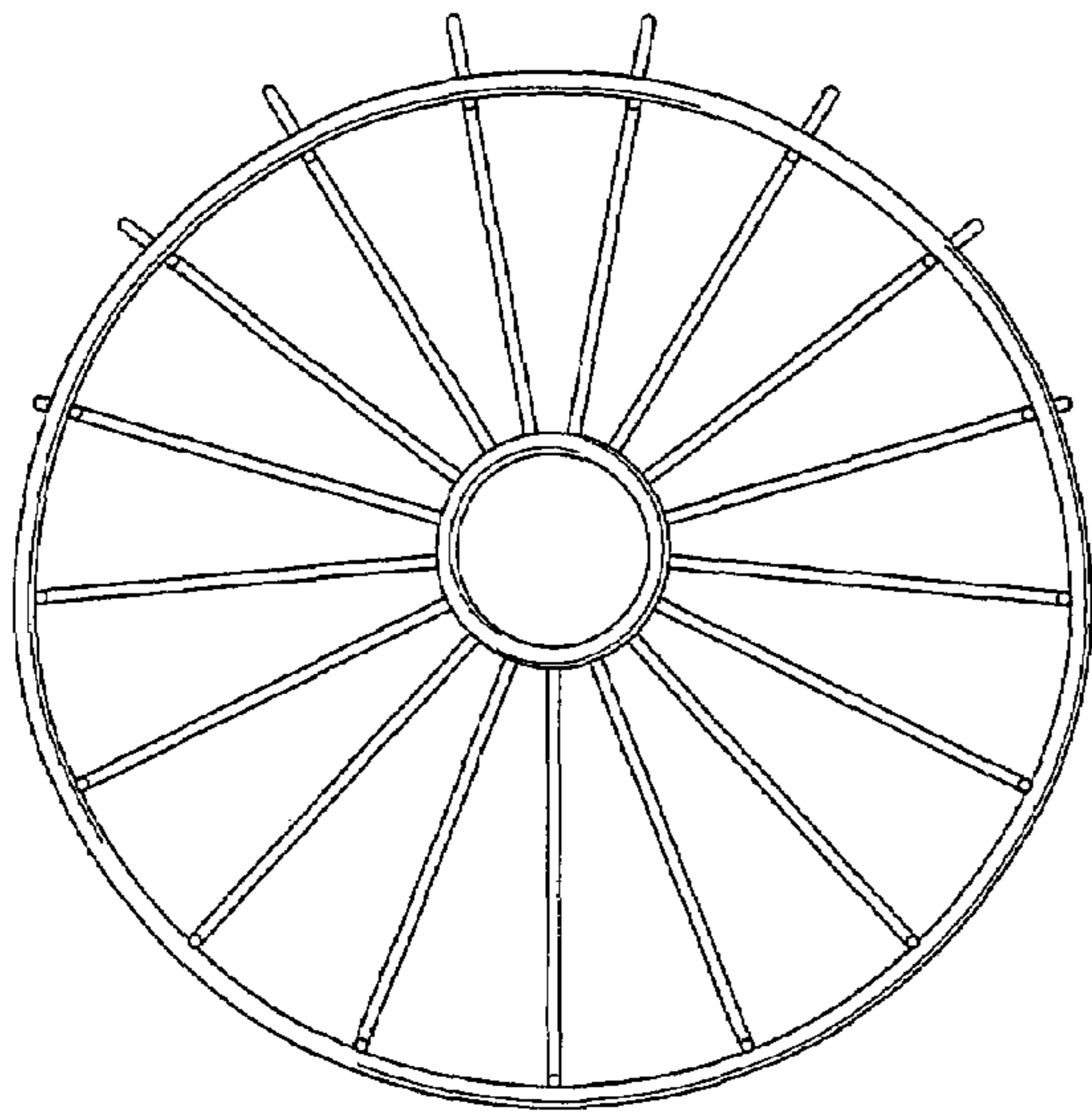


FIG. 2

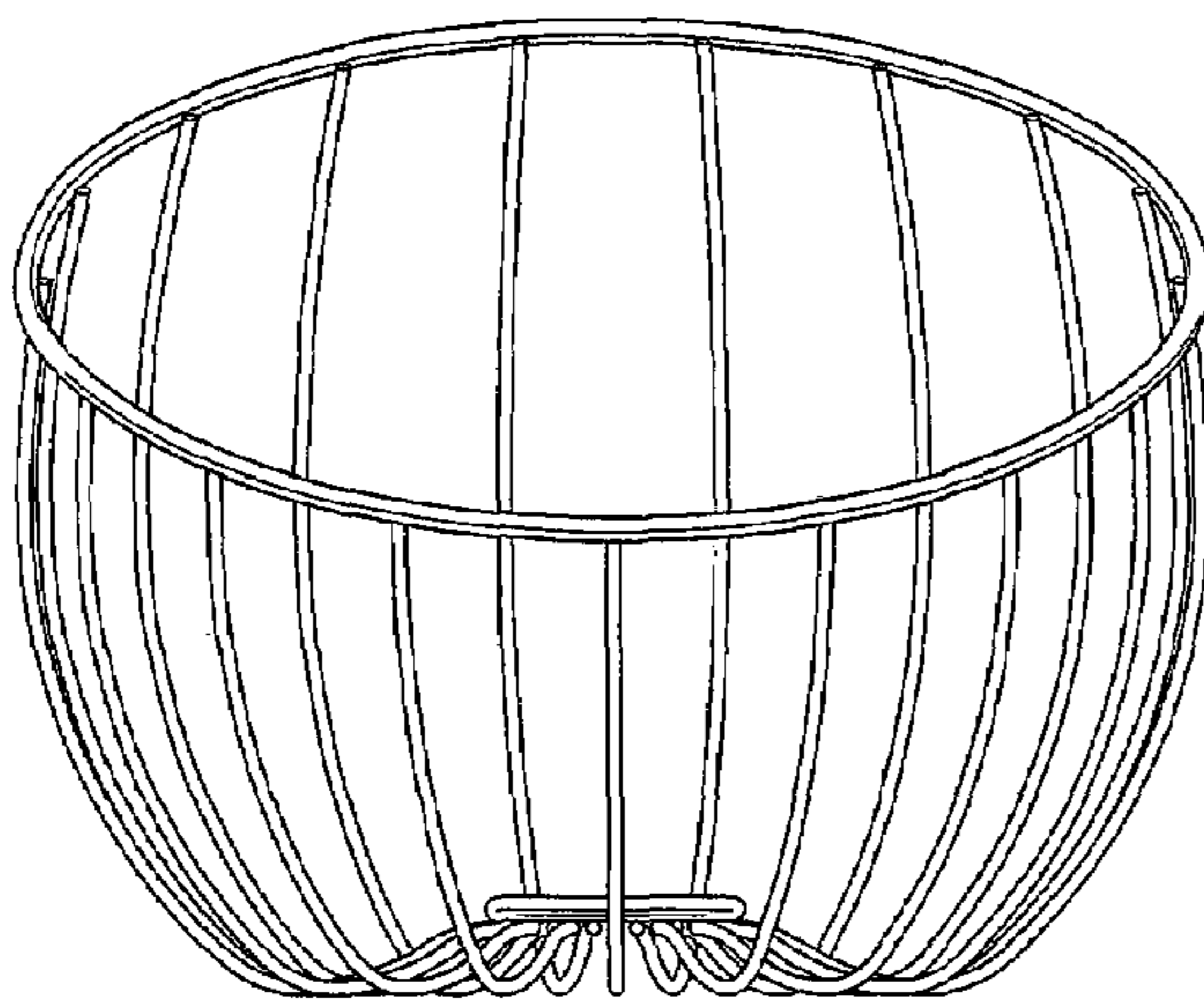


FIG. 3

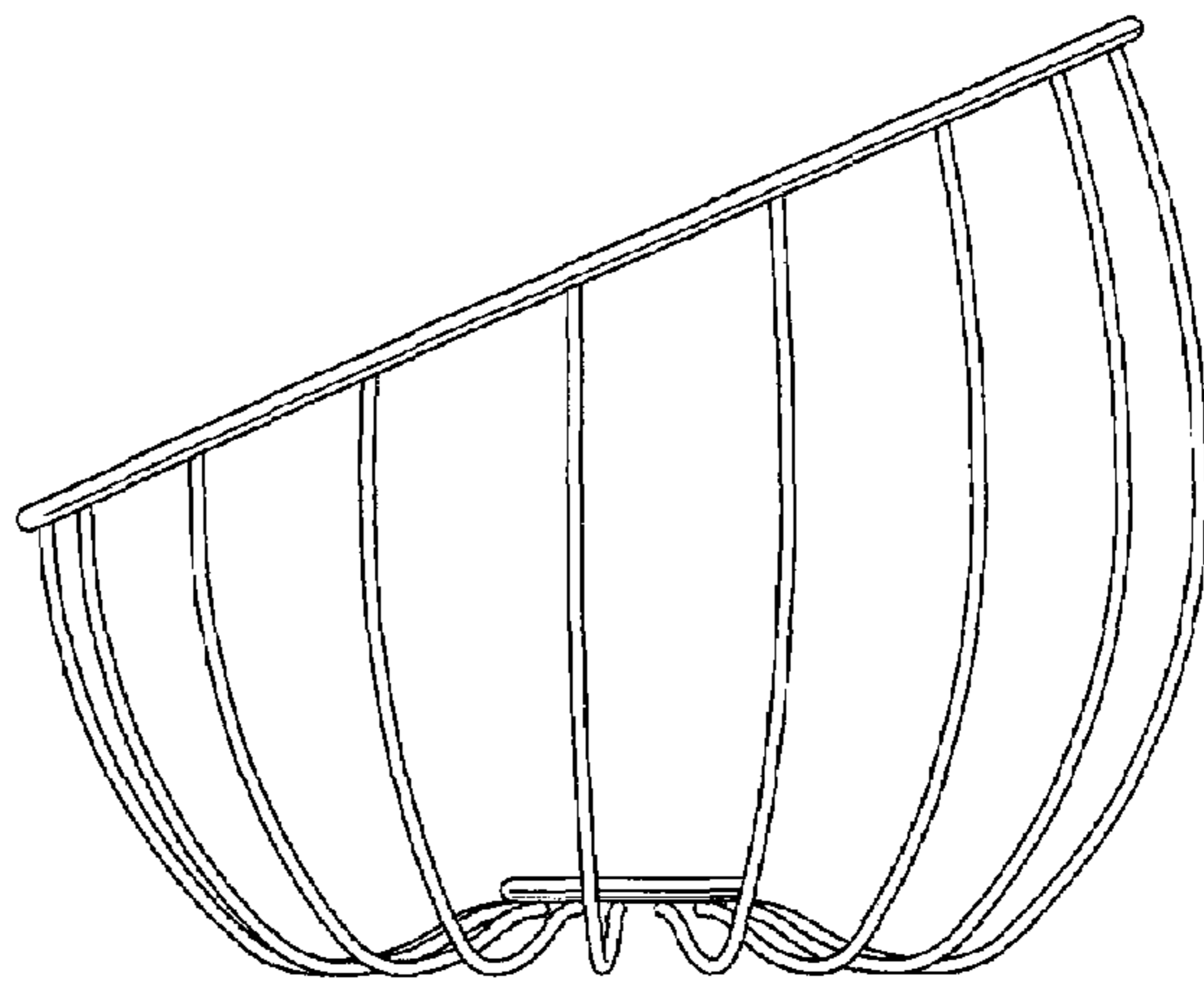


FIG. 4

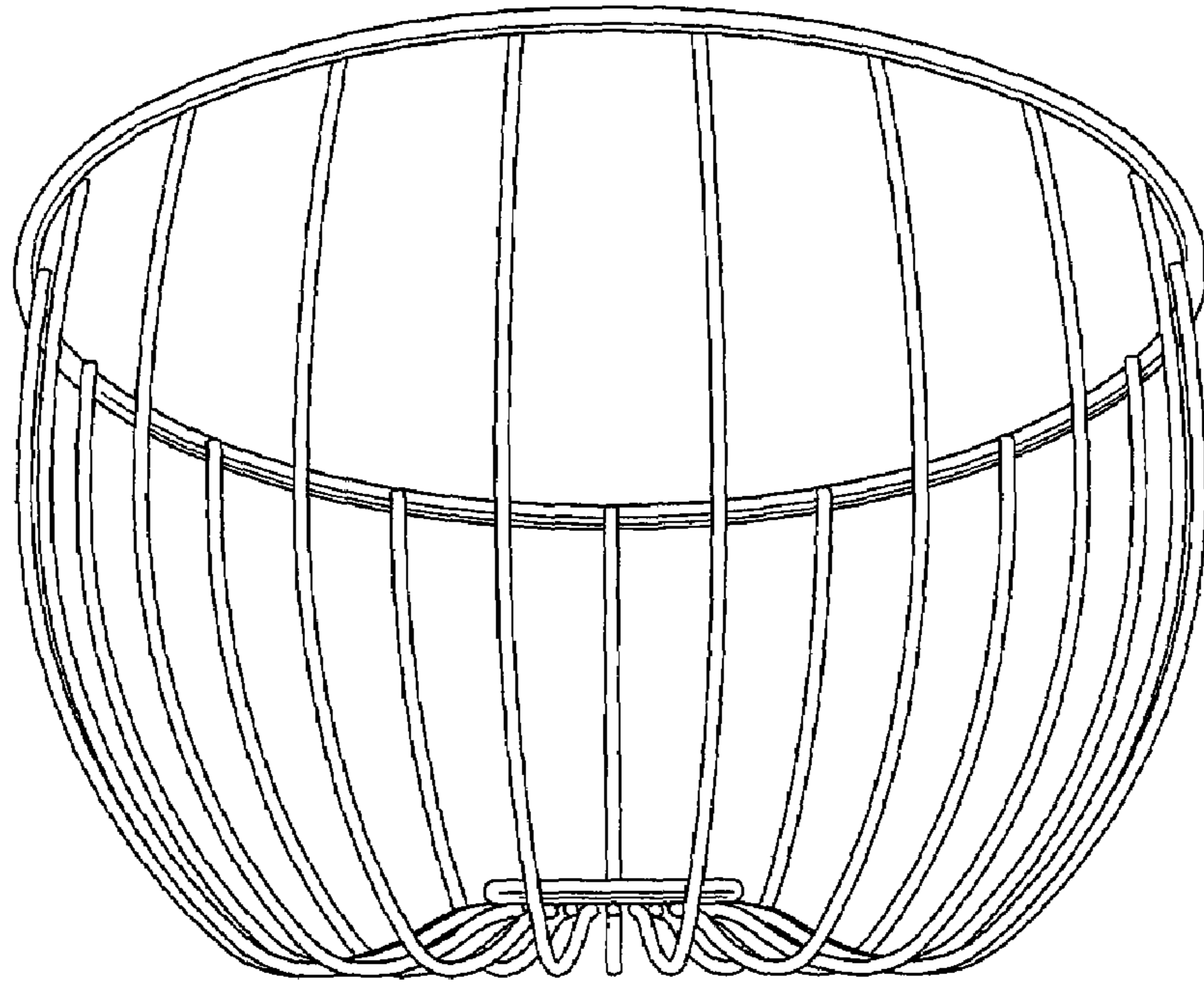


FIG. 5

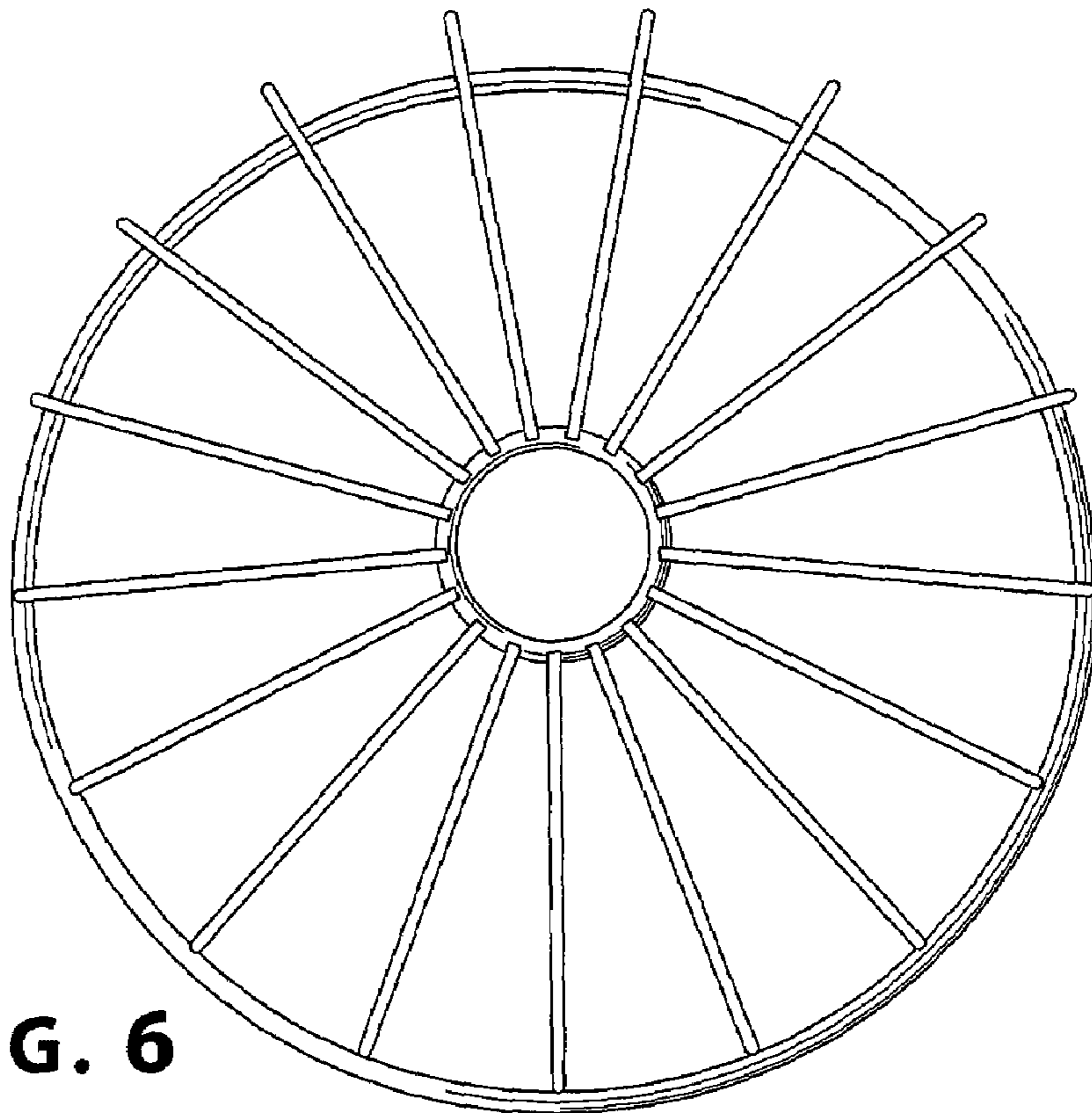


FIG. 6

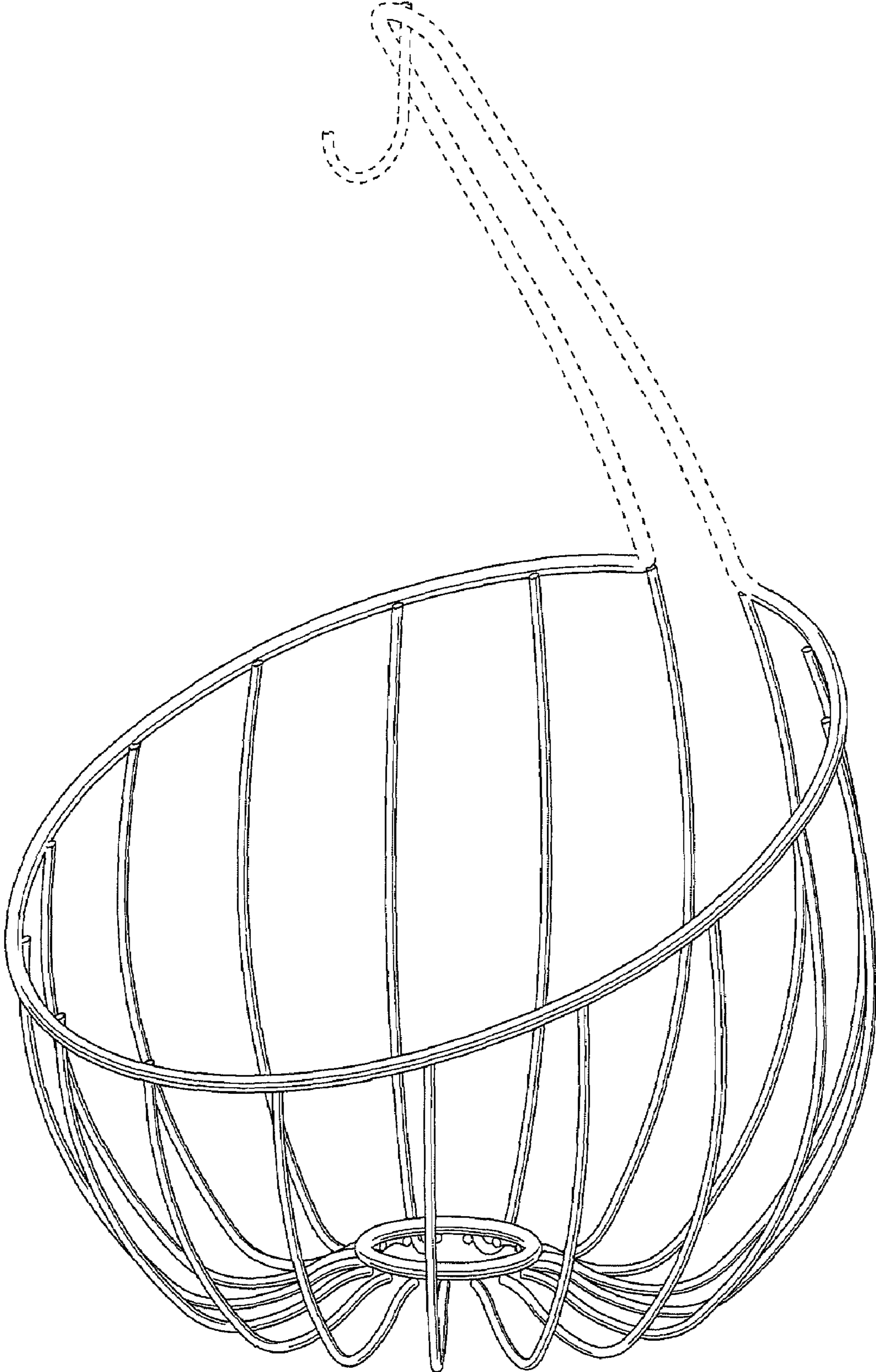


FIG. 7

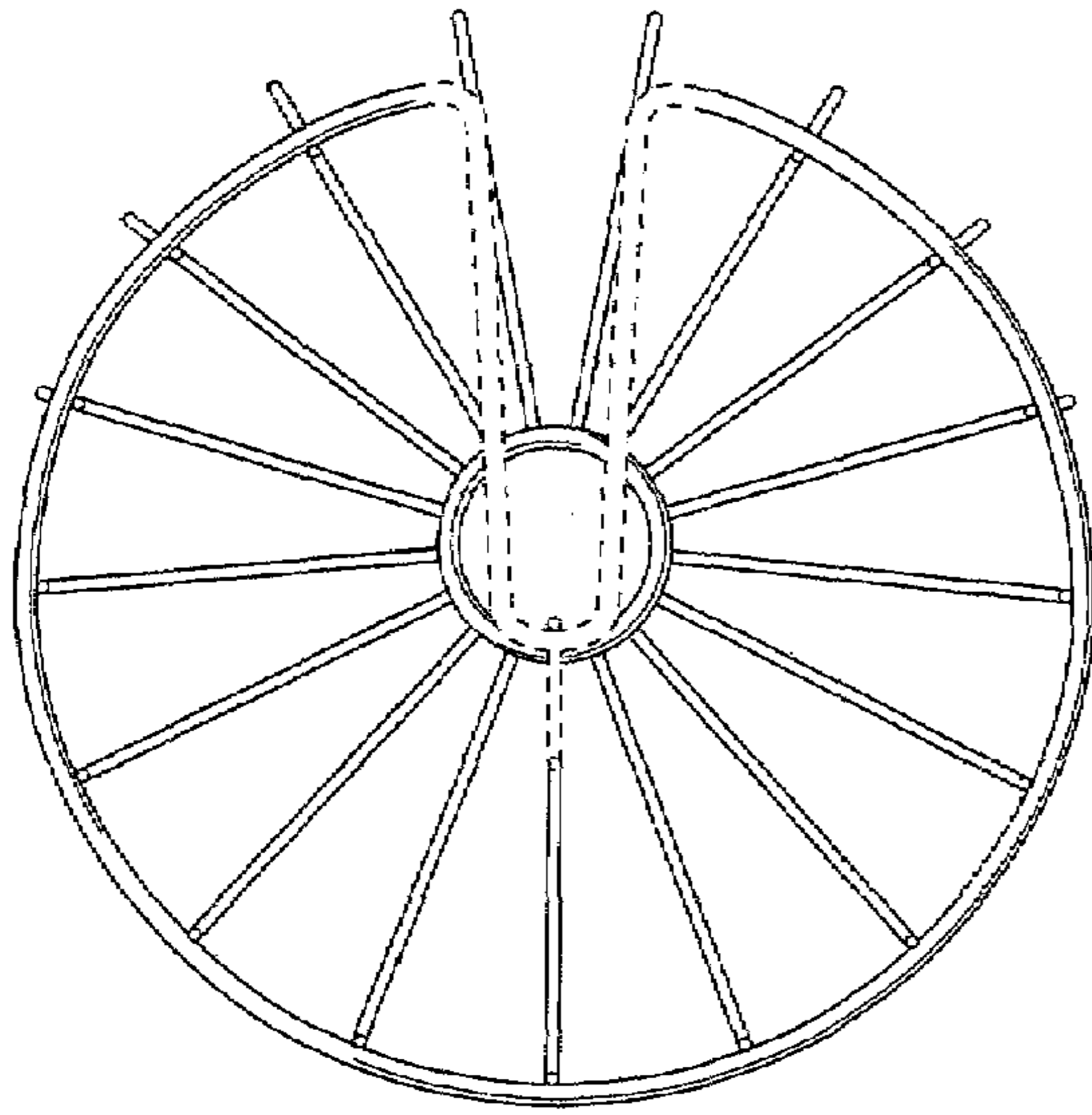


FIG. 8

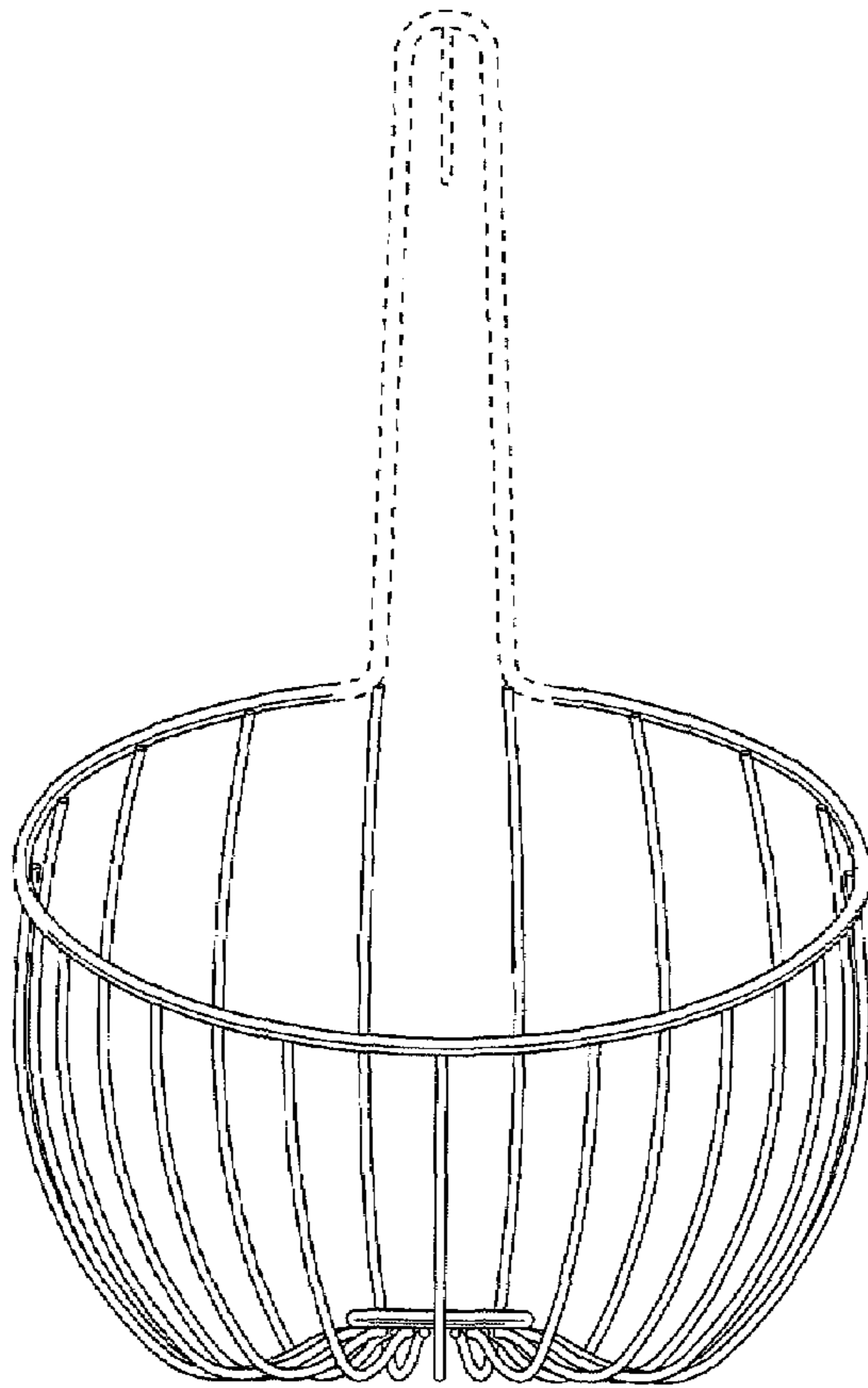


FIG. 9

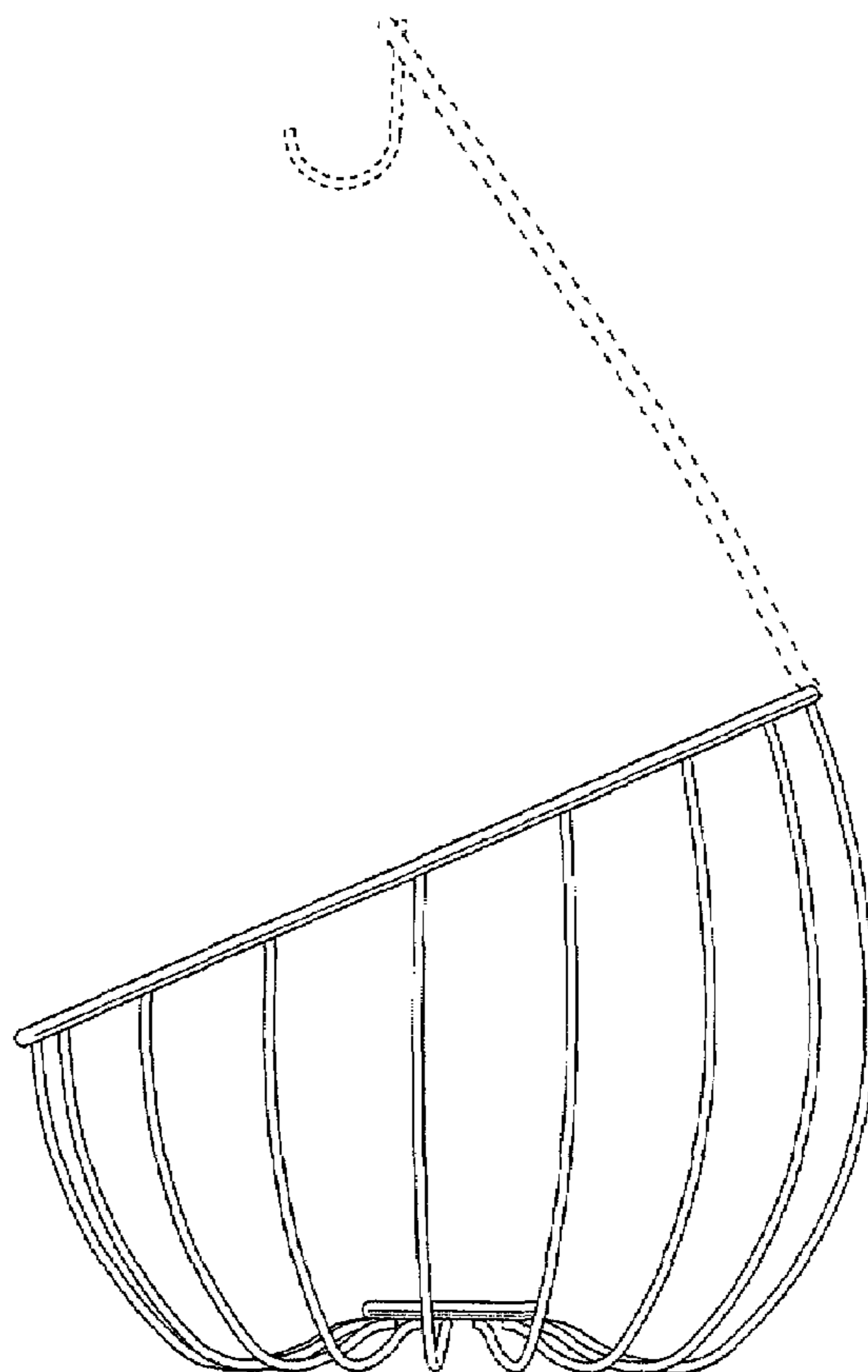


FIG. 10

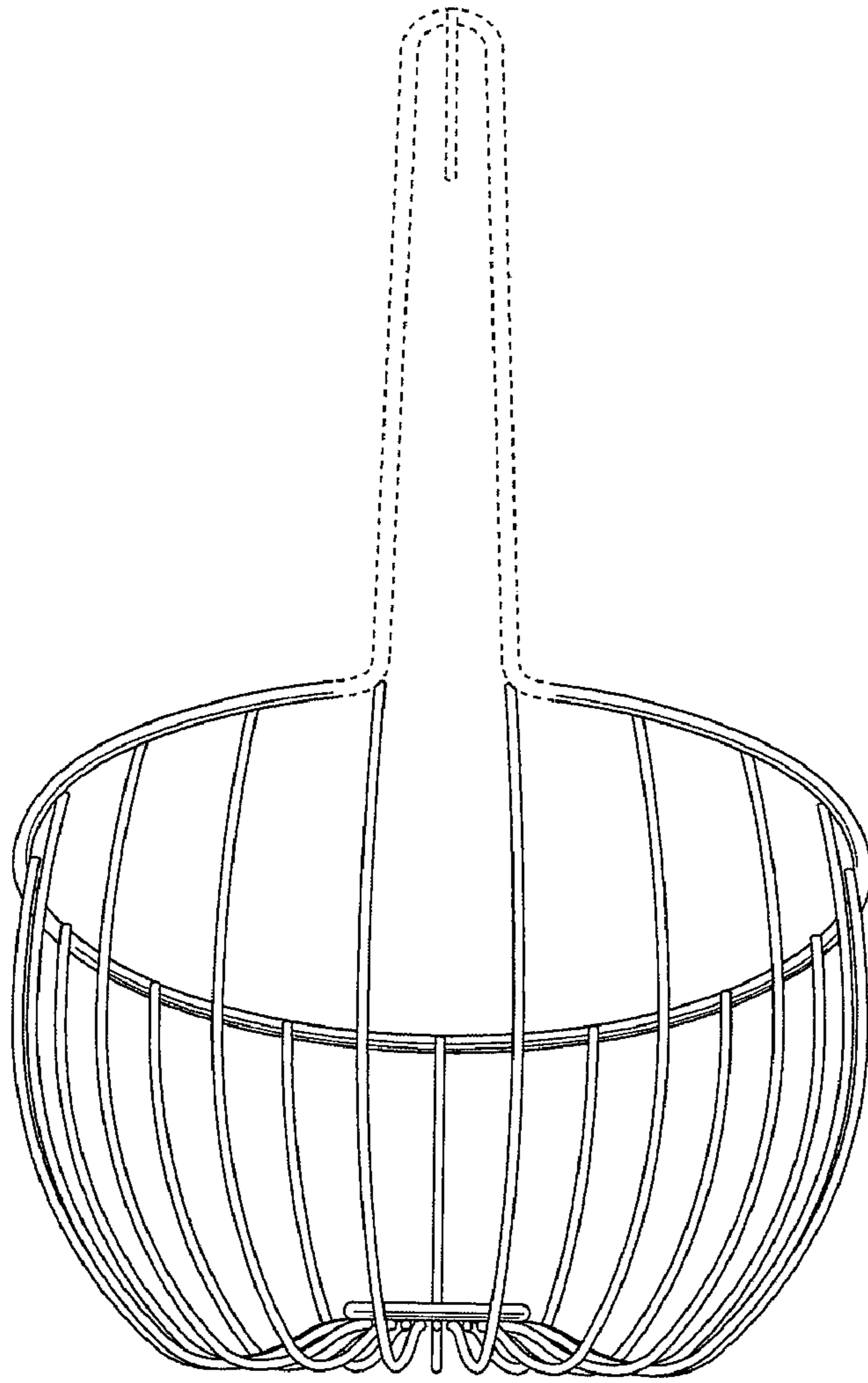


FIG. 11

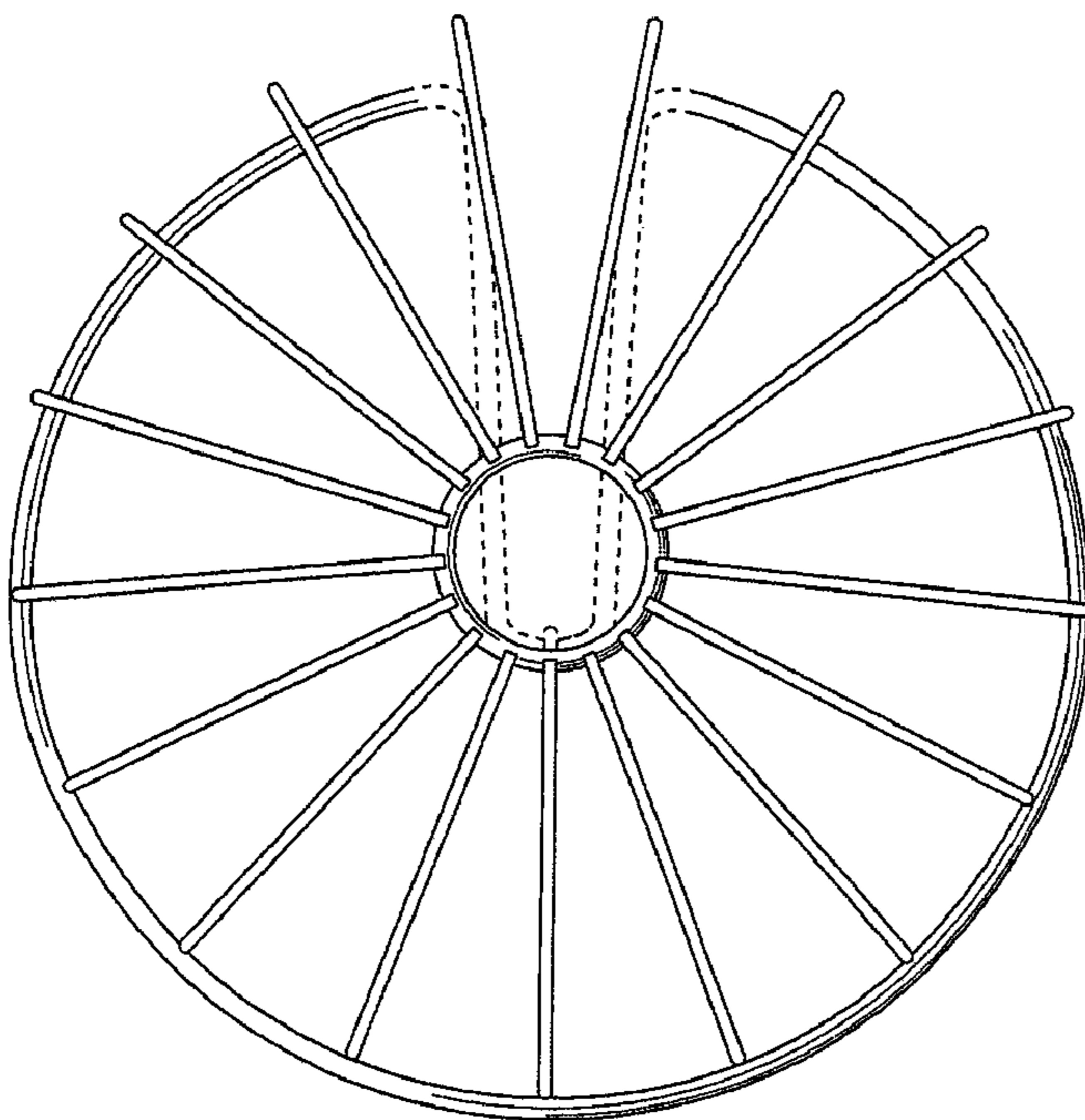


FIG. 12