



US00D616249S

(12) **United States Design Patent**
Galinski

(10) **Patent No.:** **US D616,249 S**
(45) **Date of Patent:** **** May 25, 2010**

(54) **NON-SPILL CONTAINER**

(75) Inventor: **Andrea Galinski**, Racine, WI (US)
(73) Assignee: **Chelsea and Scott, Ltd.**, Lake Bluff, IL (US)
(**) Term: **14 Years**
(21) Appl. No.: **29/338,341**
(22) Filed: **Jun. 9, 2009**

(51) **LOC (9) Cl.** **07-01**
(52) **U.S. Cl.** **D7/548; D7/629**
(58) **Field of Classification Search** D7/538-542,
D7/543, 545, 548, 629, 601, 602, 510, 511;
220/574-575, 780-806, 229, 377, 731, 736
See application file for complete search history.

(56) **References Cited**

U.S. PATENT DOCUMENTS

D250,802 S *	1/1979	Elliott et al.	D7/542
4,884,717 A	12/1989	Bussard et al.		
5,409,126 A *	4/1995	DeMars	220/4.27
D498,389 S *	11/2004	Tollman	D7/538
D582,218 S *	12/2008	Curtin	D7/629
2003/0062366 A1	4/2003	Moss		
2005/0252923 A1	11/2005	Woolf		
2005/0263523 A1	12/2005	Moss		

OTHER PUBLICATIONS

Snack Catcher—2pk by Munchkin—Babyearth.
A Dinosaur Snack-Trap, Manufacturer: Made for Mom, SKU DINO ST.

* cited by examiner

Primary Examiner—Terry A Wallace

(57) **CLAIM**

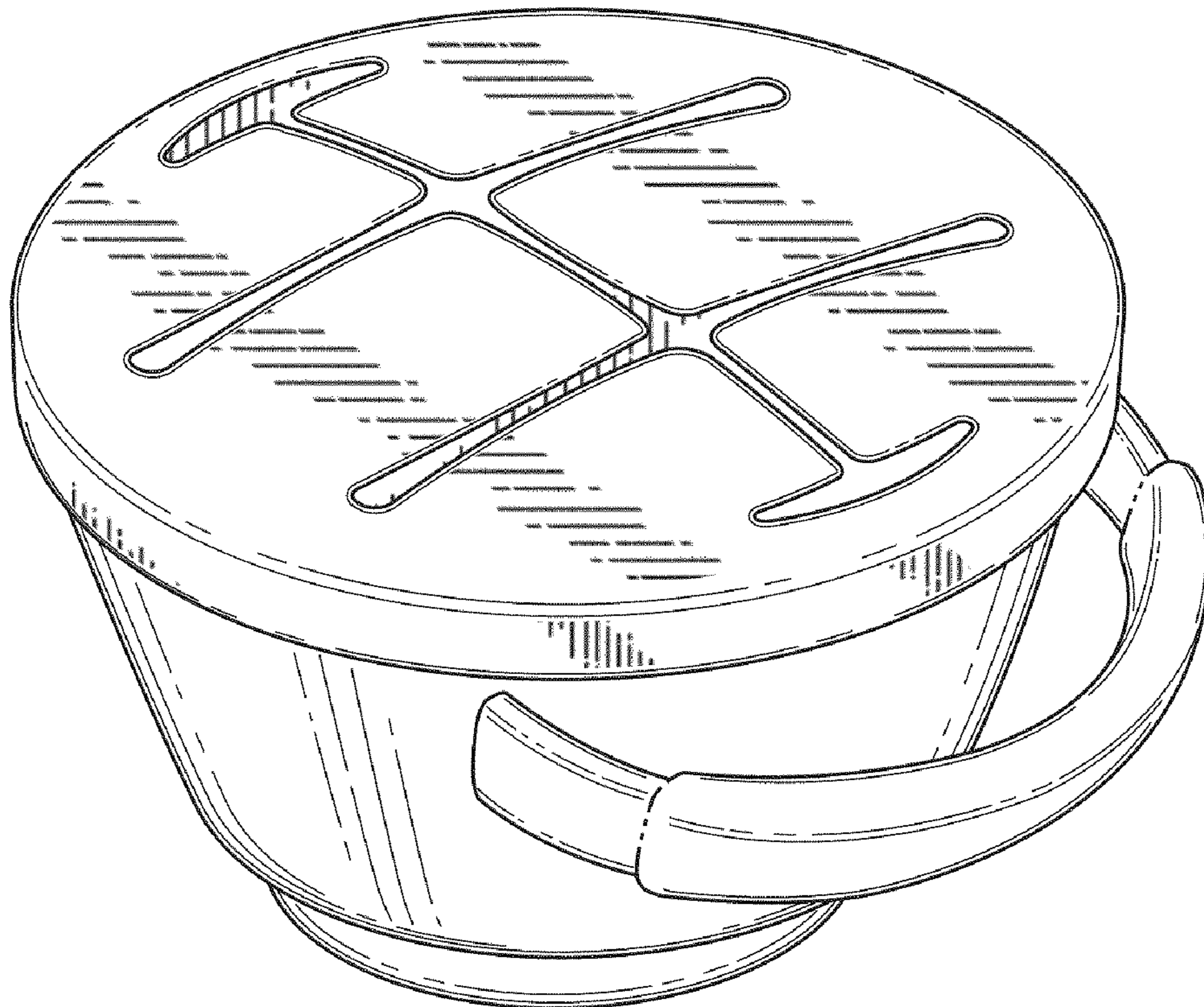
The ornamental design for a non-spill container, as shown and described.

DESCRIPTION

FIG. 1 is a perspective view of a non-spill container;
FIG. 2 is a front view of the non-spill container, the rear view (omitted) being a mirror image thereof;
FIG. 3 is a right side view of the non-spill container, the left side view (omitted) being a mirror image thereof;
FIG. 4 is a top view of the non-spill container;
FIG. 5 is a bottom view of the non-spill container; and,
FIG. 6 is a right side view of the non-spill container with the lid removed from the bowl.

The broken lines in the figures showing portions of the non-spill container in FIGS. 1-6 are for illustrative purposes only and form no part of the claimed design.

1 Claim, 4 Drawing Sheets



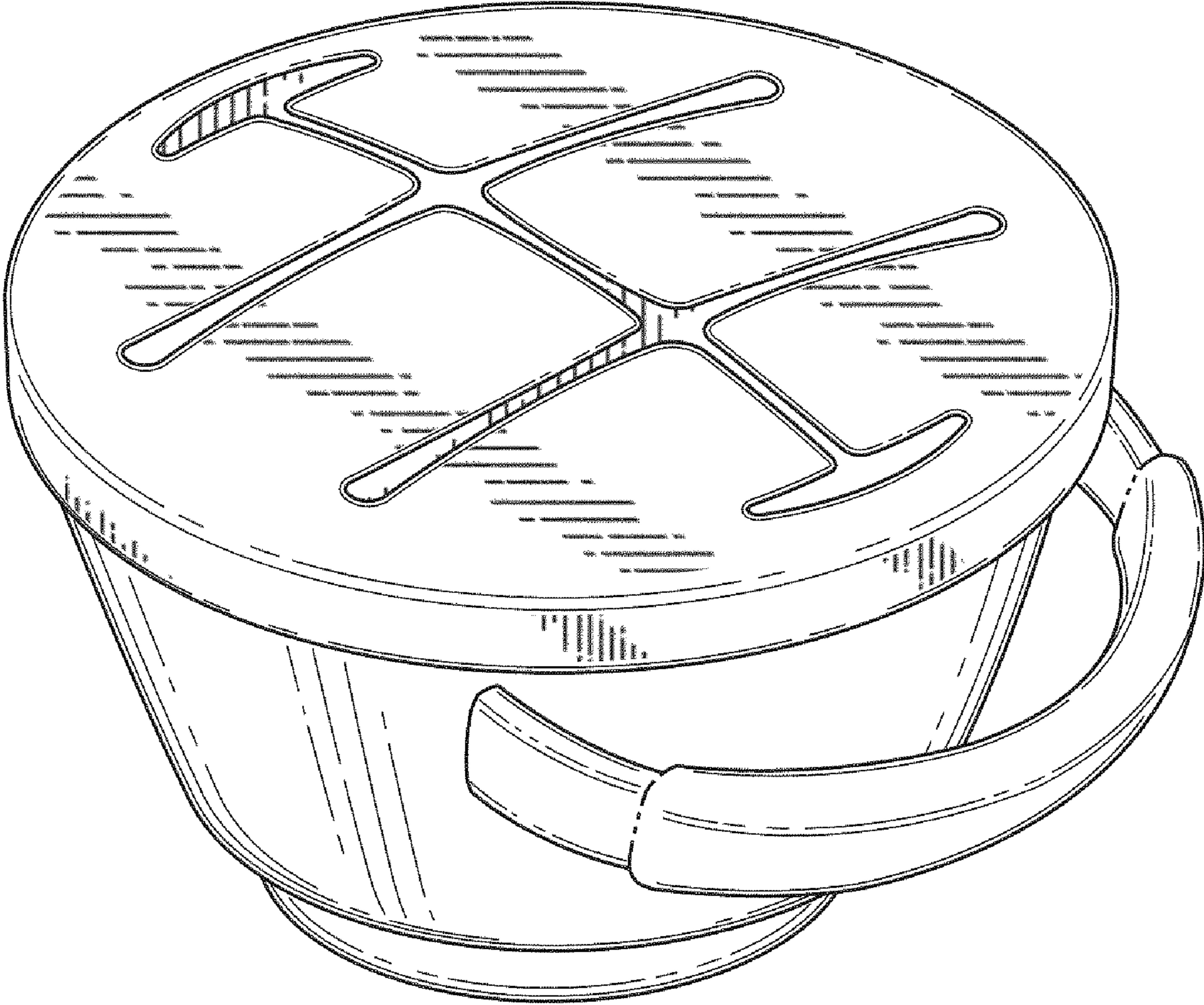


FIG. 1

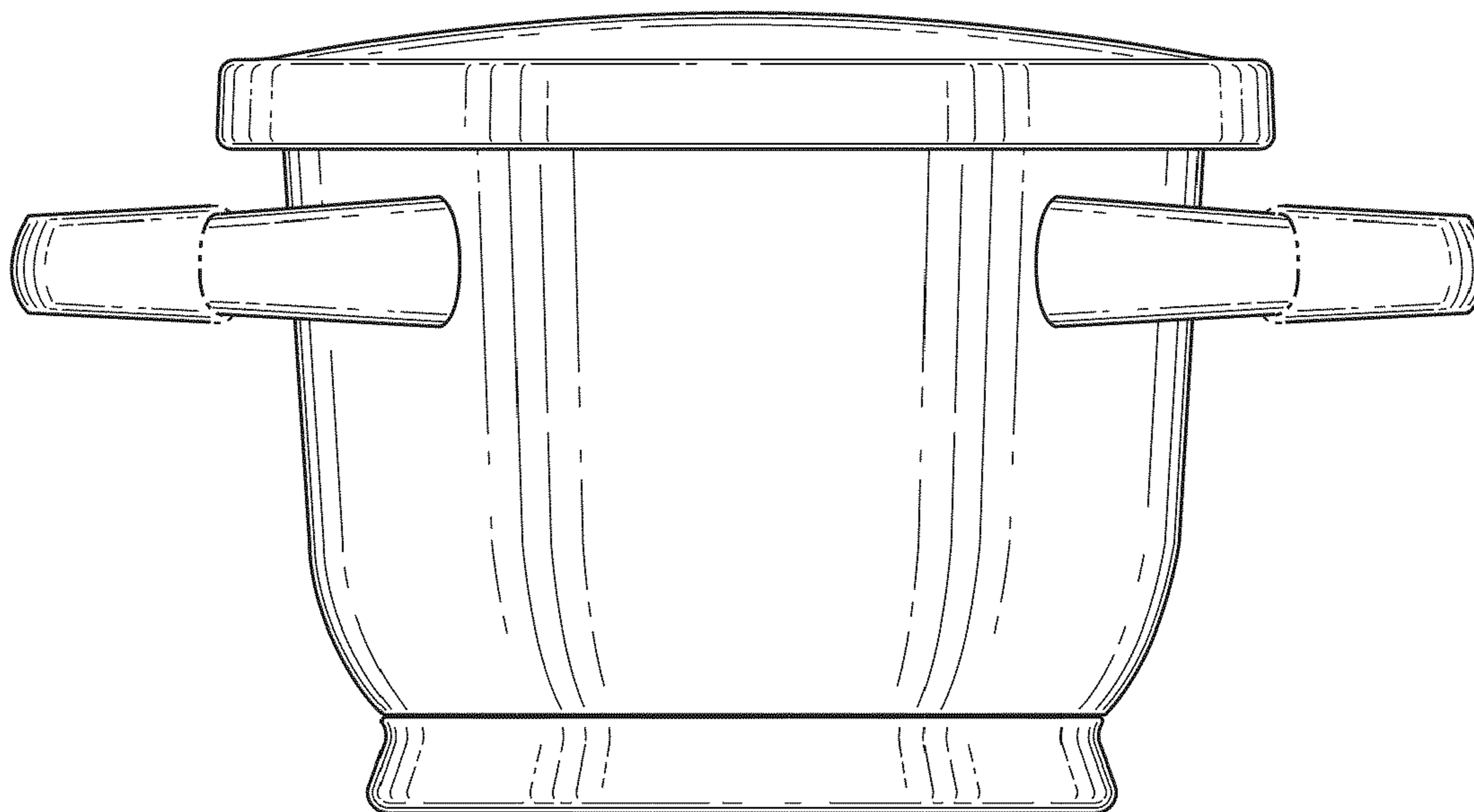


FIG. 2

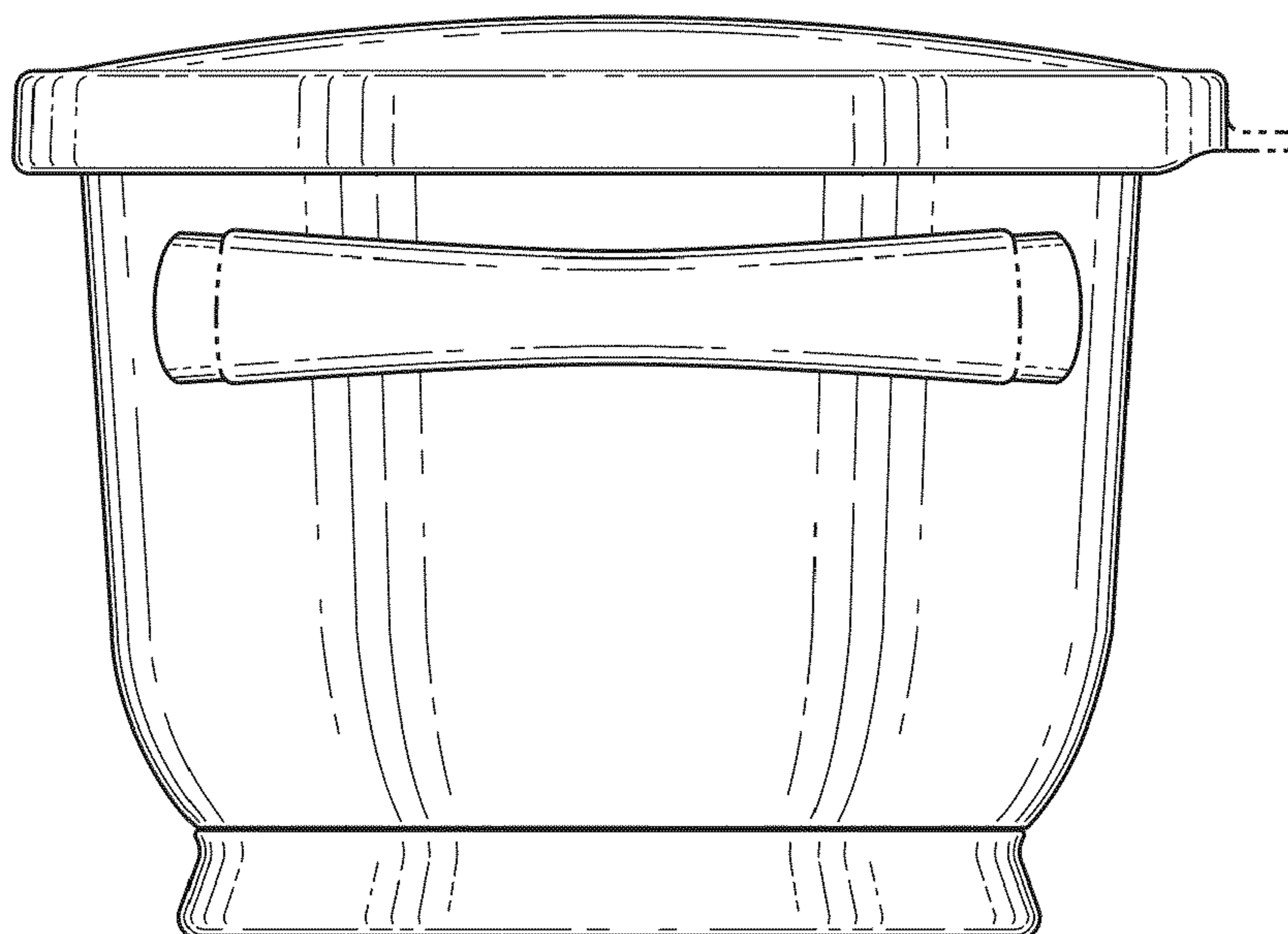


FIG. 3

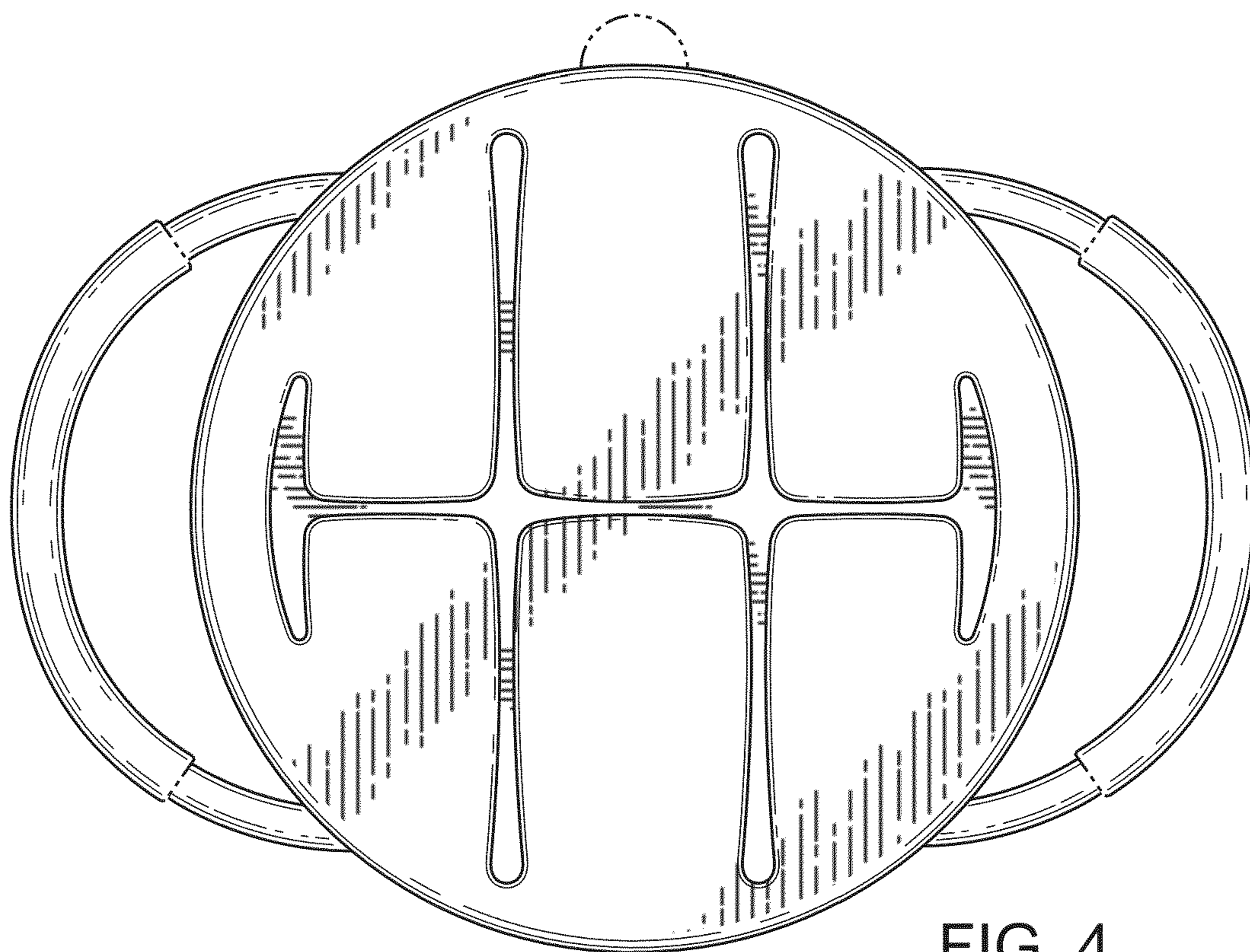


FIG. 4

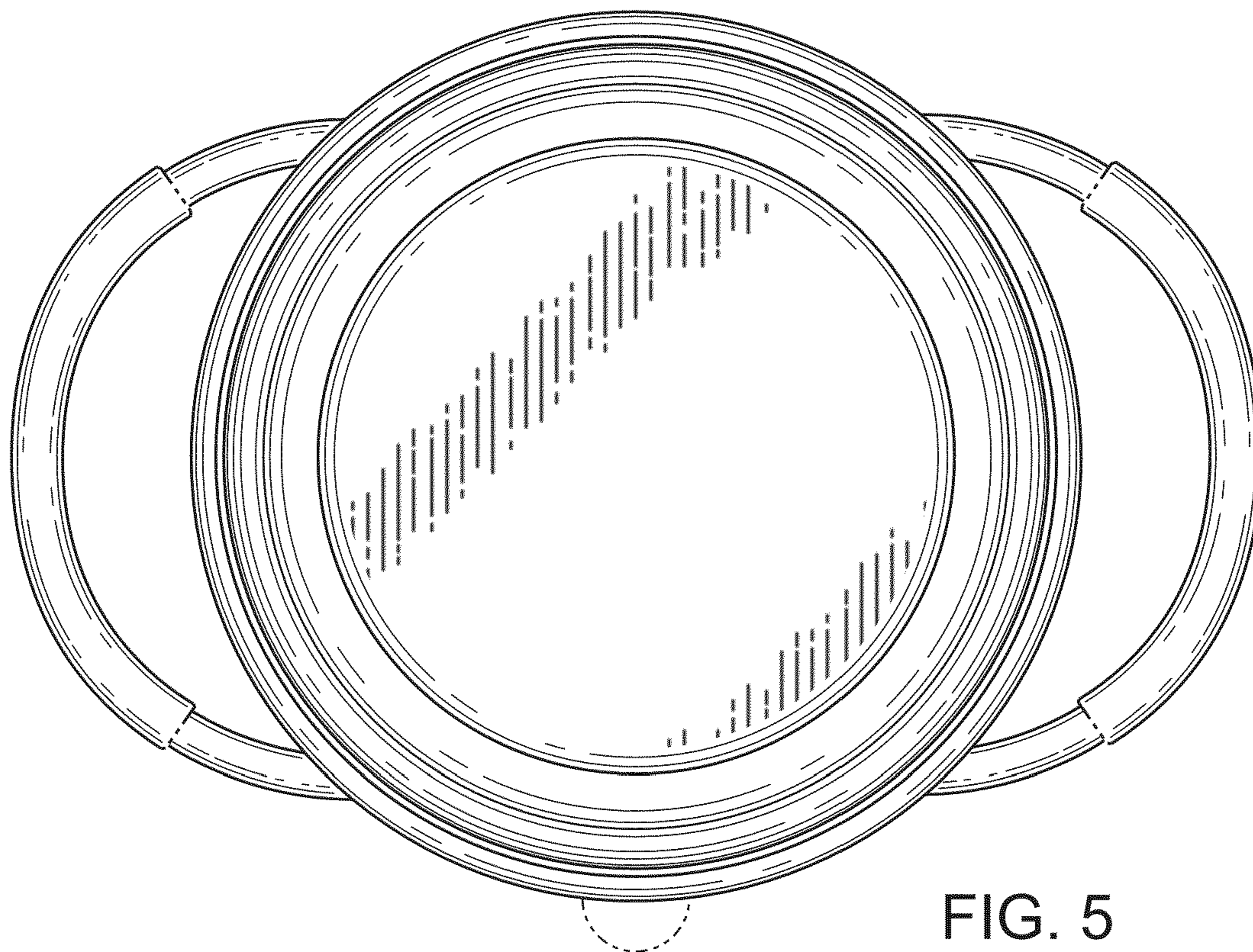


FIG. 5

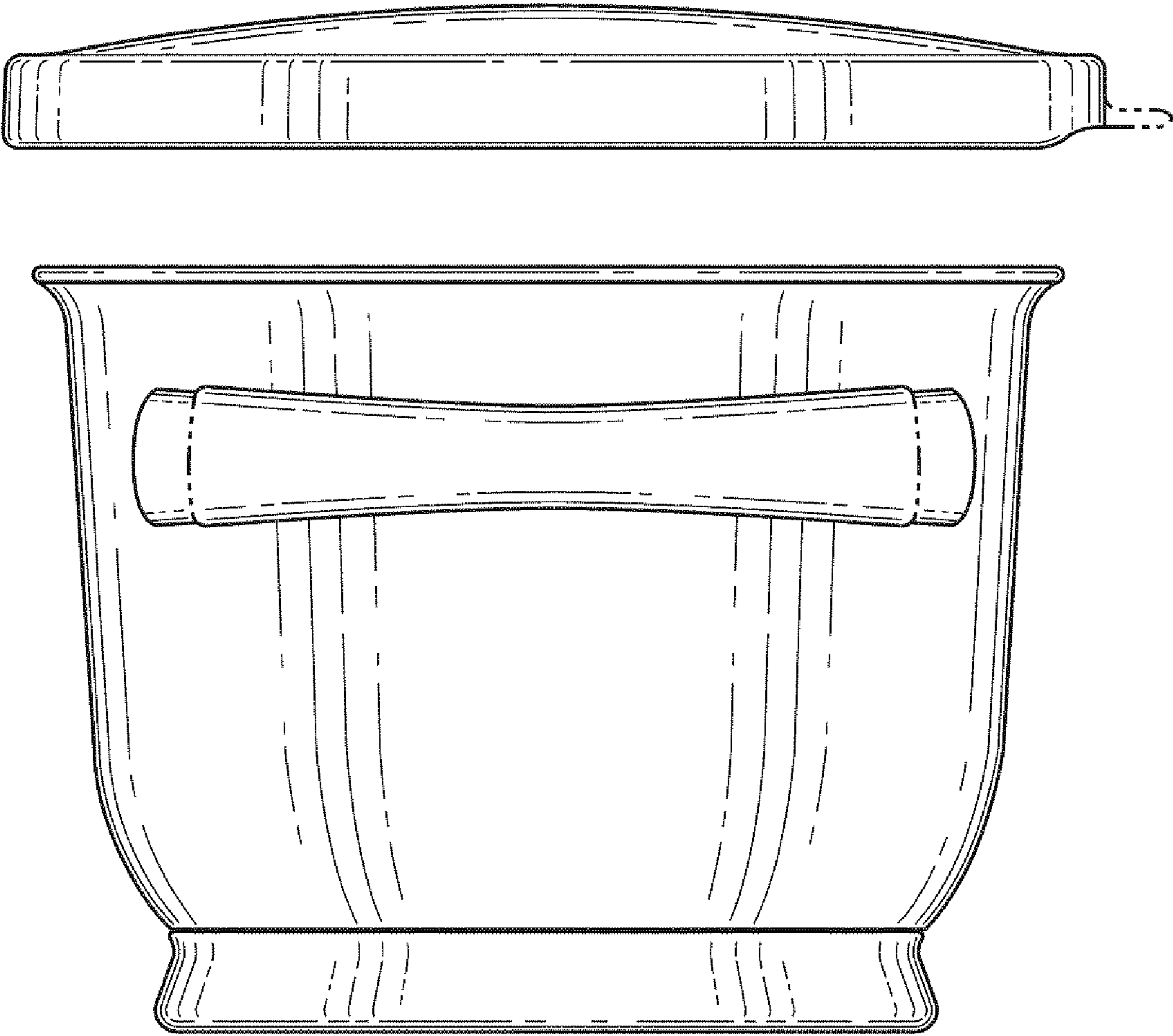


FIG. 6