



US00D616248S

(12) **United States Design Patent**
George

(10) **Patent No.:** **US D616,248 S**

(45) **Date of Patent:** **** May 25, 2010**

(54) **BEVERAGE CONTAINER**

(75) Inventor: **Sarah Danger George**, Seattle, WA
(US)

(73) Assignee: **Pacific Market International, LLC**,
Seattle, WA (US)

(**) Term: **14 Years**

(21) Appl. No.: **29/331,487**

(22) Filed: **Jan. 27, 2009**

(51) **LOC (9) Cl.** **07-01**

(52) **U.S. Cl.** **D7/510; D7/511; D7/536**

(58) **Field of Classification Search** D7/509,
D7/510, 511, 523, 533, 536; 220/713, 703,
220/715, 719; 215/13.1

See application file for complete search history.

(56) **References Cited**

U.S. PATENT DOCUMENTS

4,789,073	A	*	12/1988	Fine	215/13.1
D323,758	S	*	2/1992	Hoelterscheidt	D7/317
D339,267	S	*	9/1993	Hatt	D7/514
D351,314	S	*	10/1994	Sokolski et al.	D7/536
5,400,907	A	*	3/1995	Chen	206/459.1
D381,559	S	*	7/1997	Browne	D7/536
D401,808	S	*	12/1998	Grivsky	D7/536
D427,017	S	*	6/2000	Reimer	D7/516
D439,802	S	*	4/2001	Colmore	D7/513
D465,132	S	*	11/2002	Janky et al.	D7/510
D497,079	S	*	10/2004	Paggio	D7/507

D530,852	S	*	10/2006	Zheng	D27/148
D588,871	S	*	3/2009	Miller et al.	D7/510
D598,712	S	*	8/2009	Alviar et al.	D7/510
D600,978	S	*	9/2009	Poindexter et al.	D7/533
D602,308	S	*	10/2009	Alviar et al.	D7/510
D604,103	S	*	11/2009	Alviar et al.	D7/533
D608,133	S	*	1/2010	Choi	D7/319

* cited by examiner

Primary Examiner—Marianne Pandozzi

(74) *Attorney, Agent, or Firm*—Davis Wright Tremaine LLP;
George C. Rondeau, Jr.

(57) **CLAIM**

The ornamental design for a beverage container, as shown and described.

DESCRIPTION

FIG. 1 is a top, right side perspective view of a beverage container showing my new design;

FIG. 2 is a right side elevational view thereof;

FIG. 3 is a left side elevational view thereof;

FIG. 4 is a rear elevational view thereof;

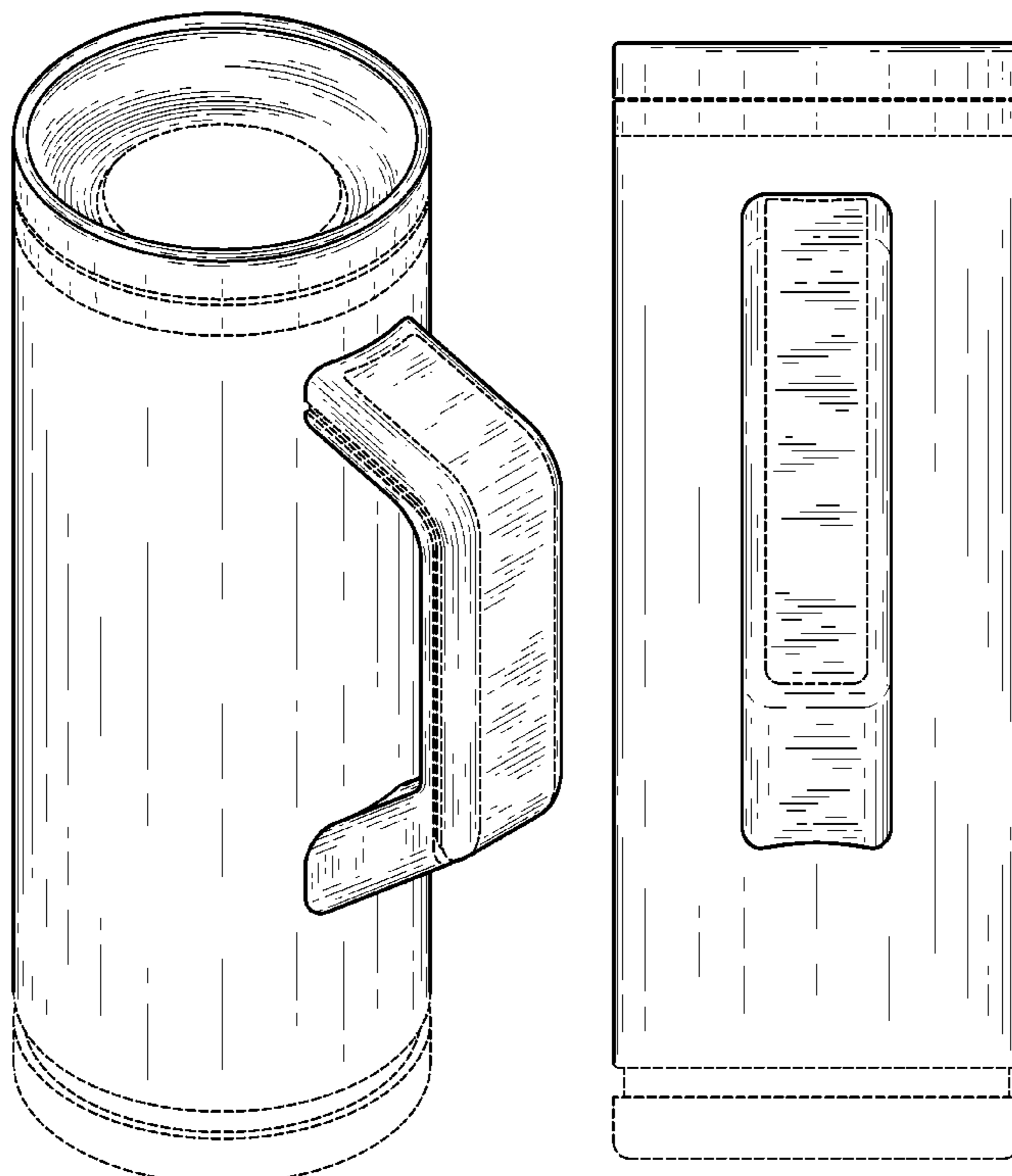
FIG. 5 is a front elevational view thereof;

FIG. 6 is a top plan view thereof; and,

FIG. 7 is a bottom plan view thereof.

The broken lines represent portions of the beverage container that form no part of the claim.

1 Claim, 6 Drawing Sheets



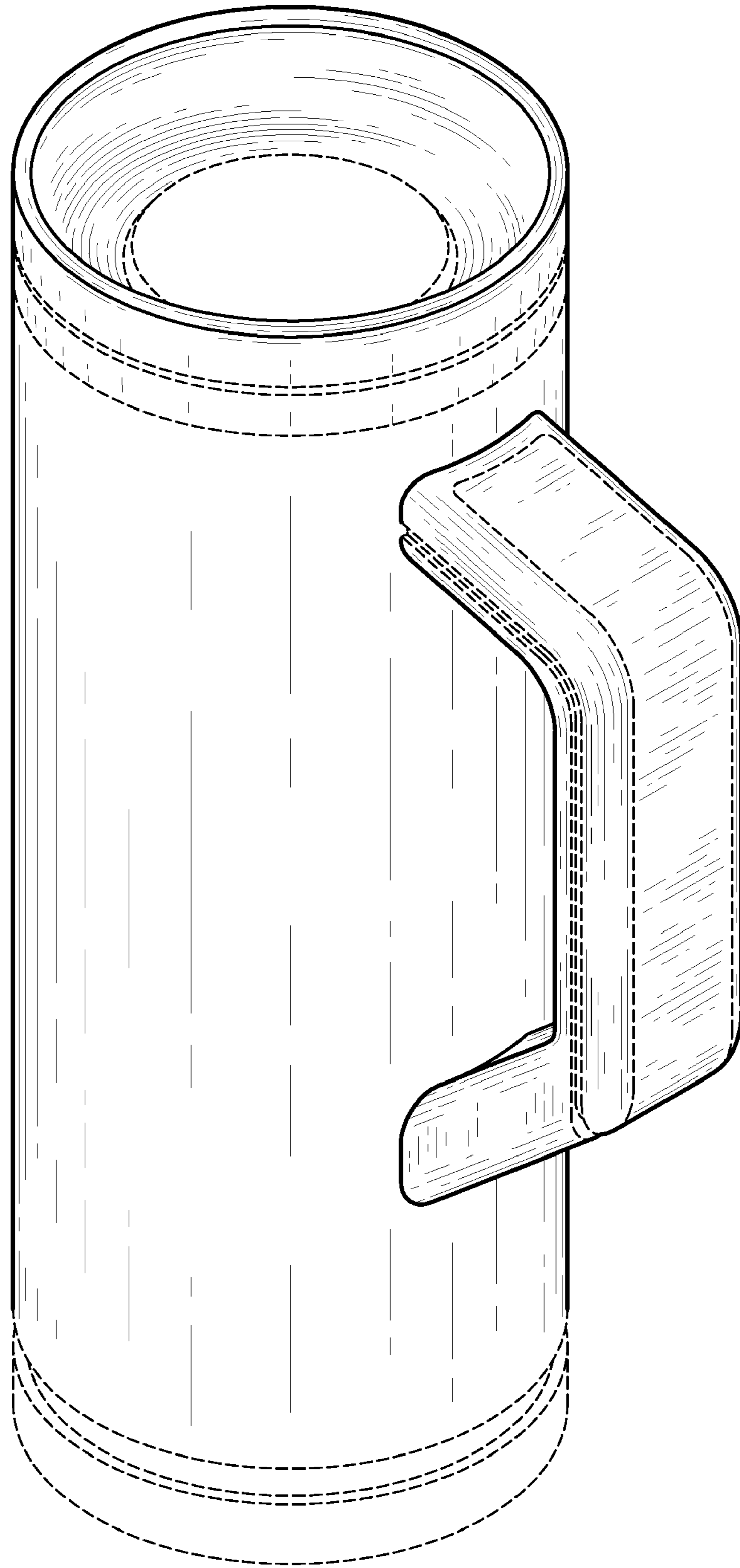


Fig. 1

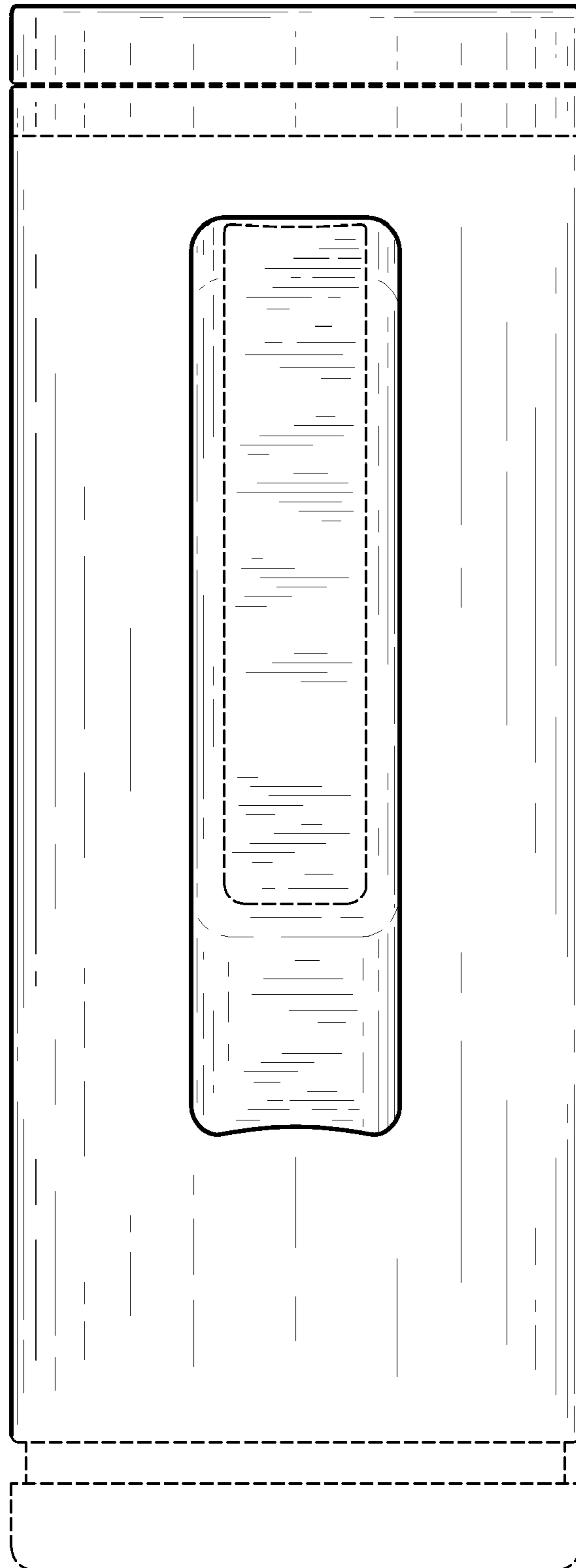


Fig. 2

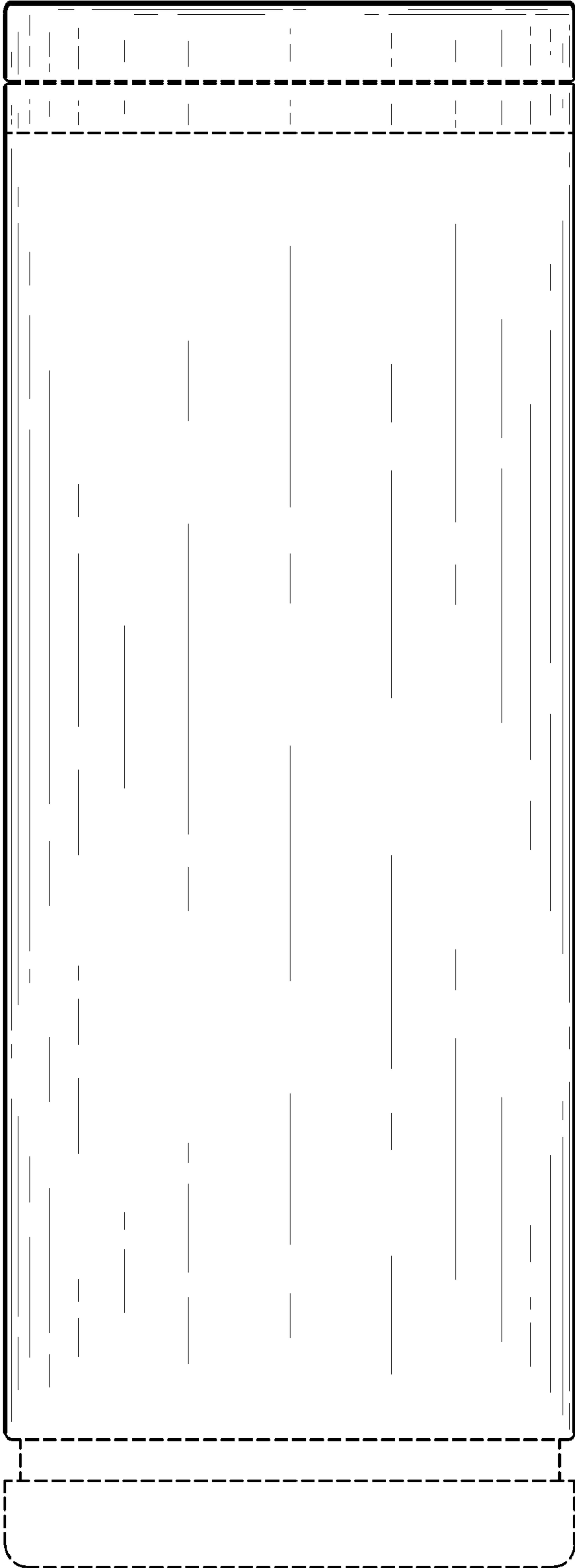


Fig. 3

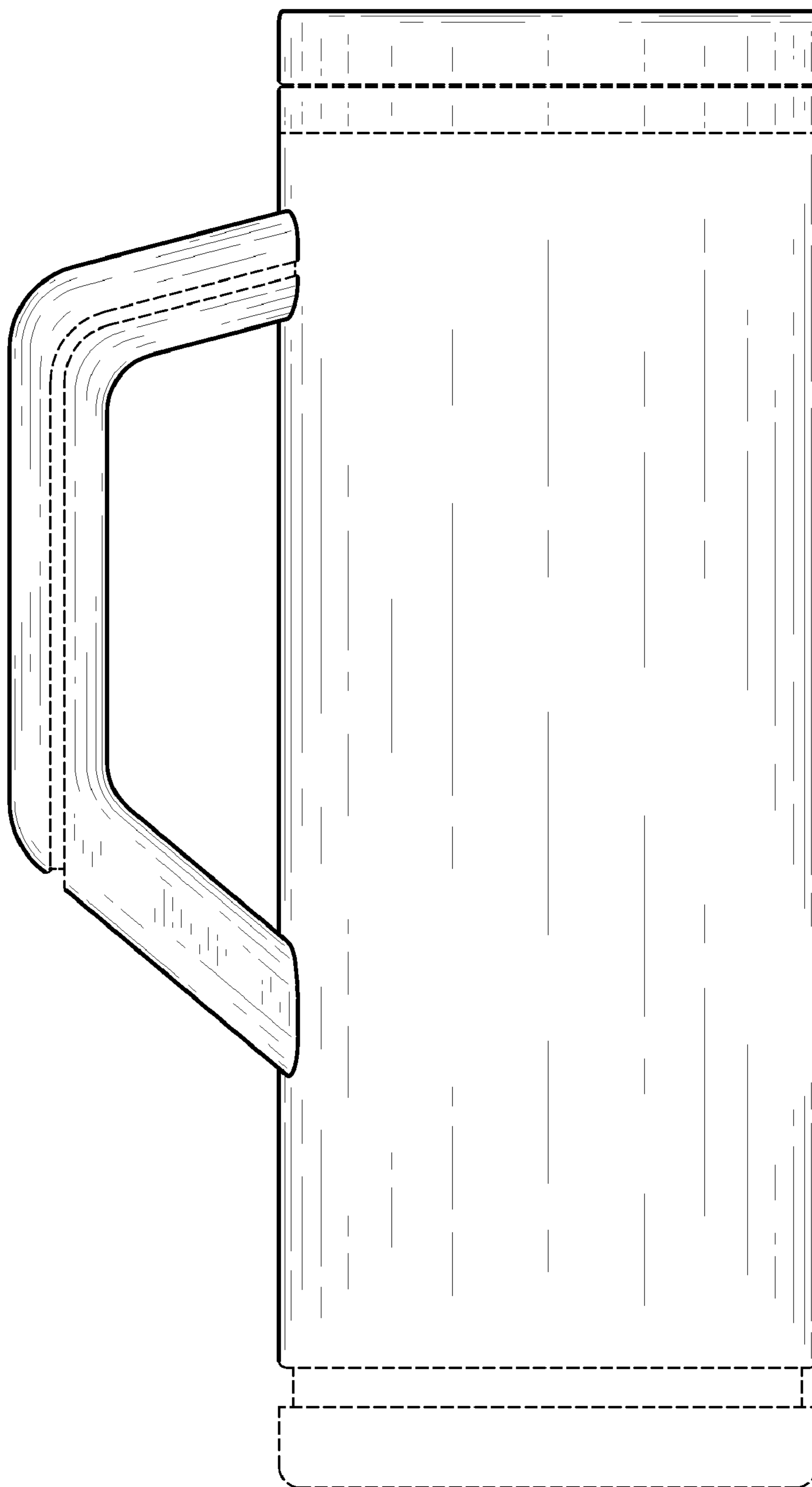


Fig. 4

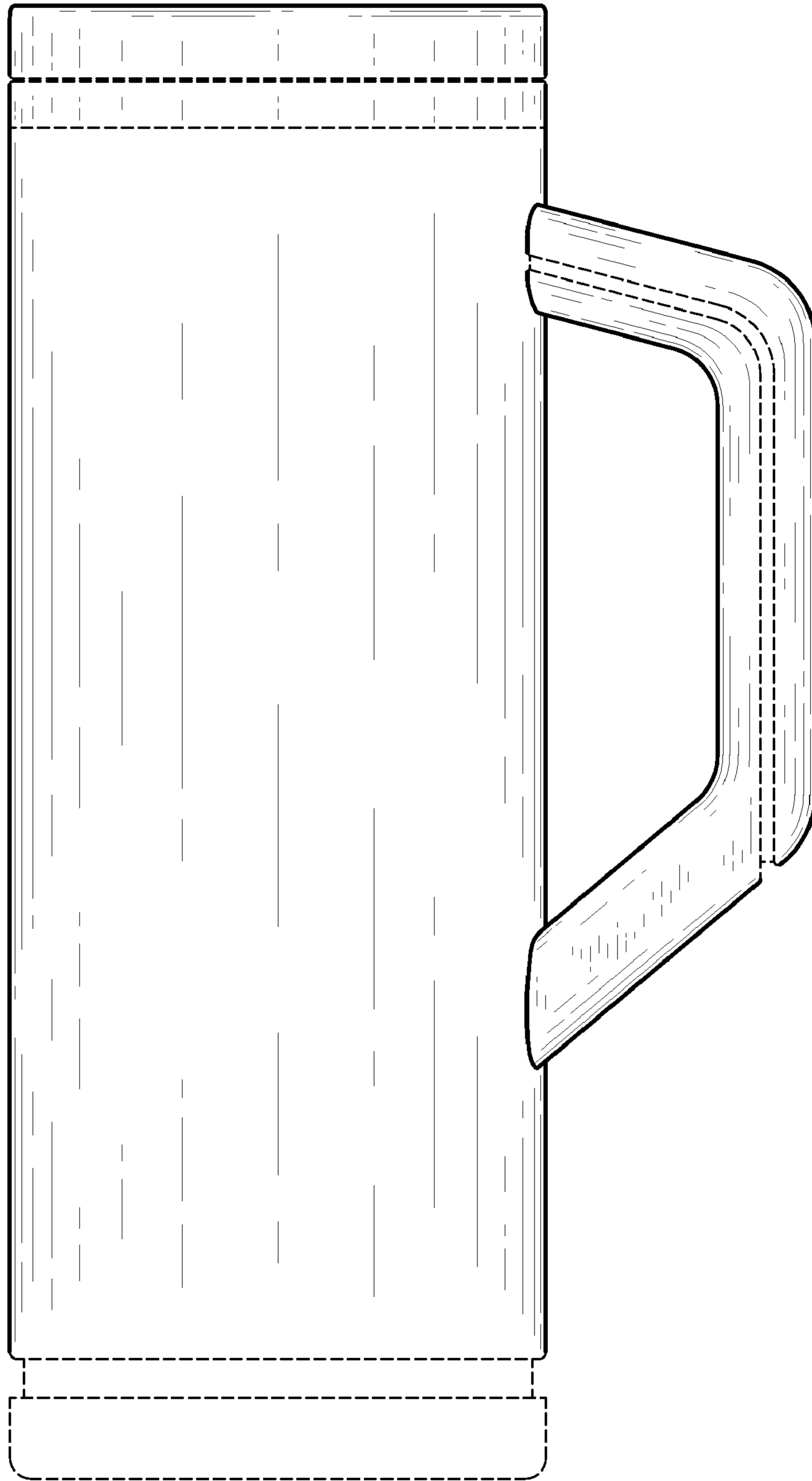


Fig. 5

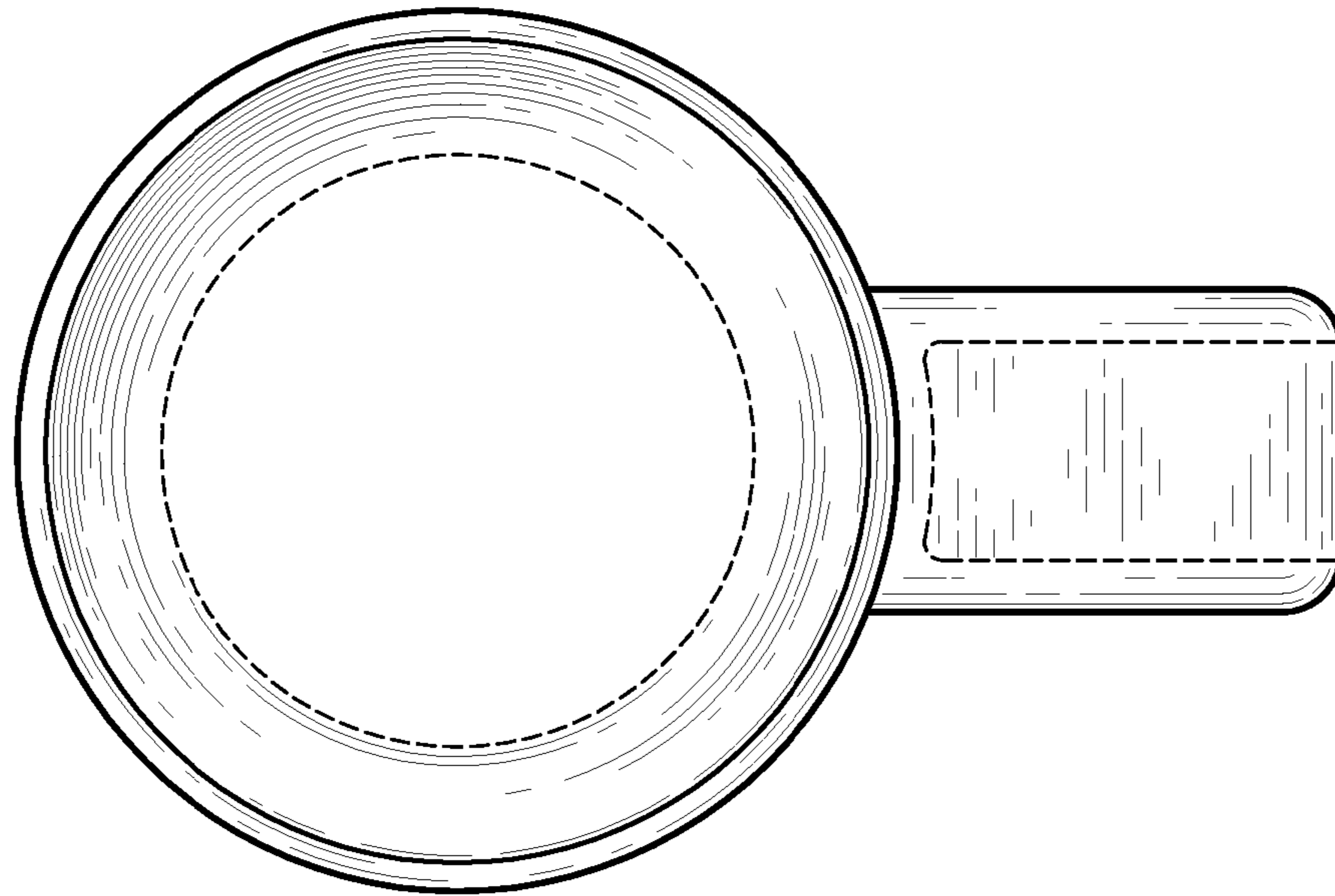


Fig. 6

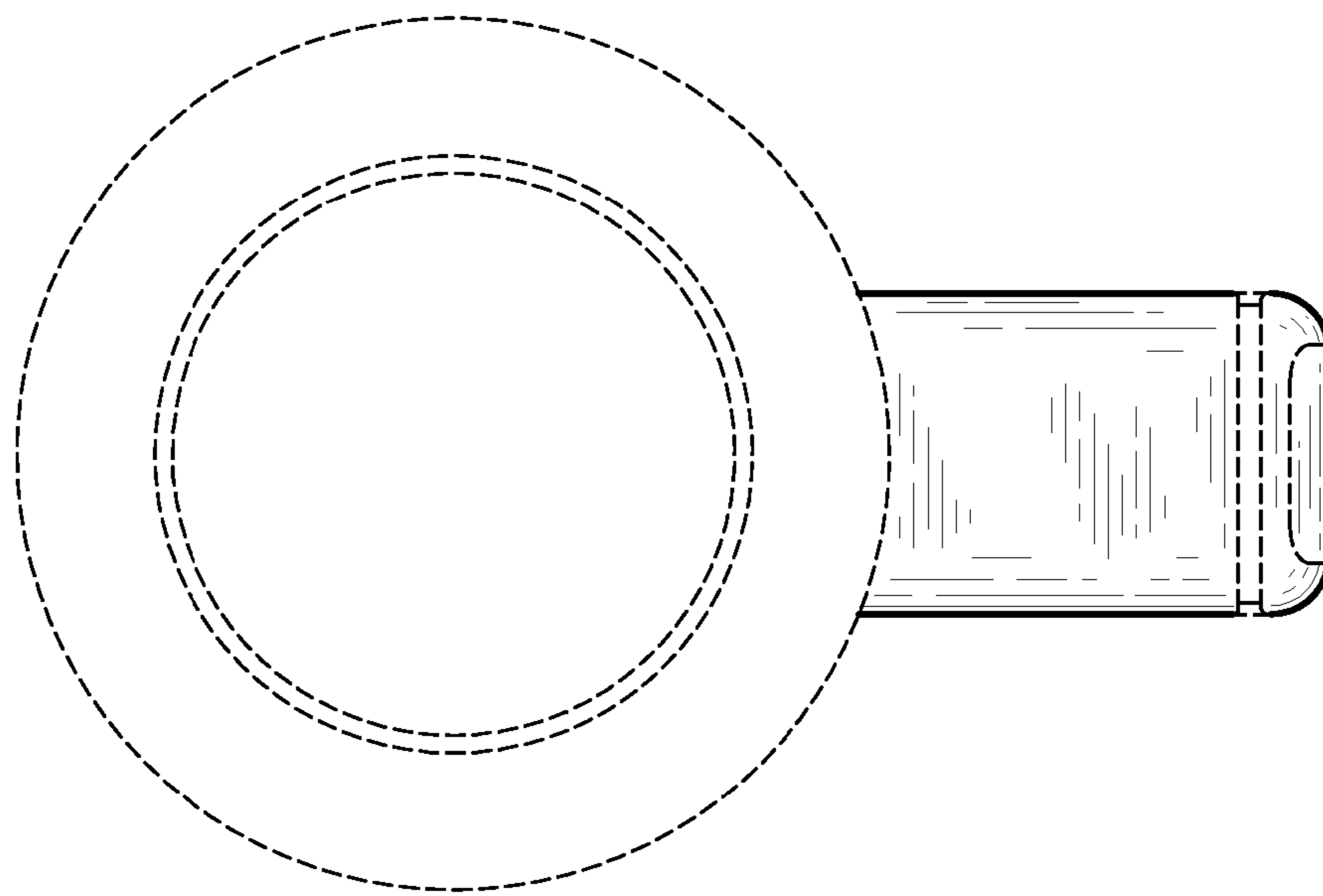


Fig. 7