



US00D616245S

(12) **United States Design Patent**
Fiorotto

(10) **Patent No.:** **US D616,245 S**

(45) **Date of Patent:** **** May 25, 2010**

(54) **ELECTRIC OVEN PART**

(75) Inventor: **Francesco Fiorotto**, Roncade (IT)

(73) Assignee: **De'Longhi Appliances S.R.L.**, Treviso (IT)

(**) Term: **14 Years**

(21) Appl. No.: **29/341,018**

(22) Filed: **Jul. 29, 2009**

(30) **Foreign Application Priority Data**

Jan. 30, 2009 (EM) 001079073-002

(51) **LOC (9) Cl.** **07-02**

(52) **U.S. Cl.** **D7/402**

(58) **Field of Classification Search** 3/351,
3/350.1, 350.3, 350.4, 402, 405, 406; 219/678,
219/756-758, 739; 126/19 M, 275 E; D8/DIG. 10,
D8/302-30, 307-308, 318, 320; 16/110.1,
16/DIG. 19

See application file for complete search history.

(56) **References Cited**

U.S. PATENT DOCUMENTS

D131,217 S * 1/1942 Braun D8/308
D197,400 S * 1/1964 Patriquin D8/302
D231,725 S * 6/1974 Frattini D8/308

D306,251 S * 2/1990 Kuli D8/302
D424,873 S * 5/2000 Holbrook D7/402
D449,959 S * 11/2001 Knorr D7/393
D549,546 S * 8/2007 Singtoroj D8/308
D549,547 S * 8/2007 Singtoroj et al. D8/308
D549,548 S * 8/2007 Roberts, III D8/308
D568,138 S * 5/2008 Singtoroj D8/308
D570,646 S * 6/2008 Jeon D7/402
D593,840 S * 6/2009 Roberts, III D8/308

* cited by examiner

Primary Examiner—Ruth McInroy

(74) *Attorney, Agent, or Firm*—Flaster/Greenberg P.C.

(57) **CLAIM**

I claim the ornamental design for an electric oven part, as shown and described.

DESCRIPTION

FIG. 1 is a front view of an electric oven part showing my new design;

FIG. 2 is a rear view thereof;

FIG. 3 is a right side view thereof;

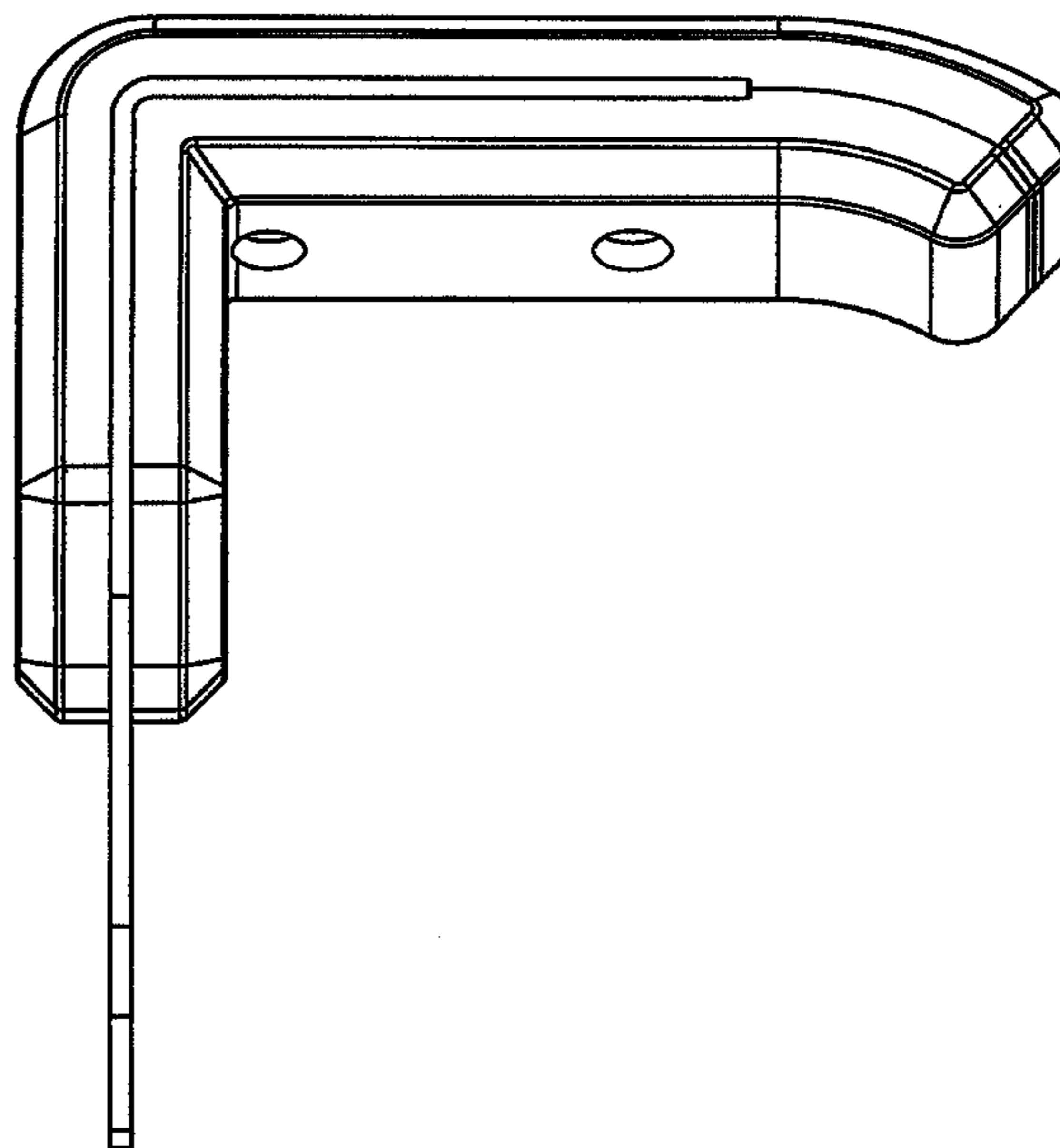
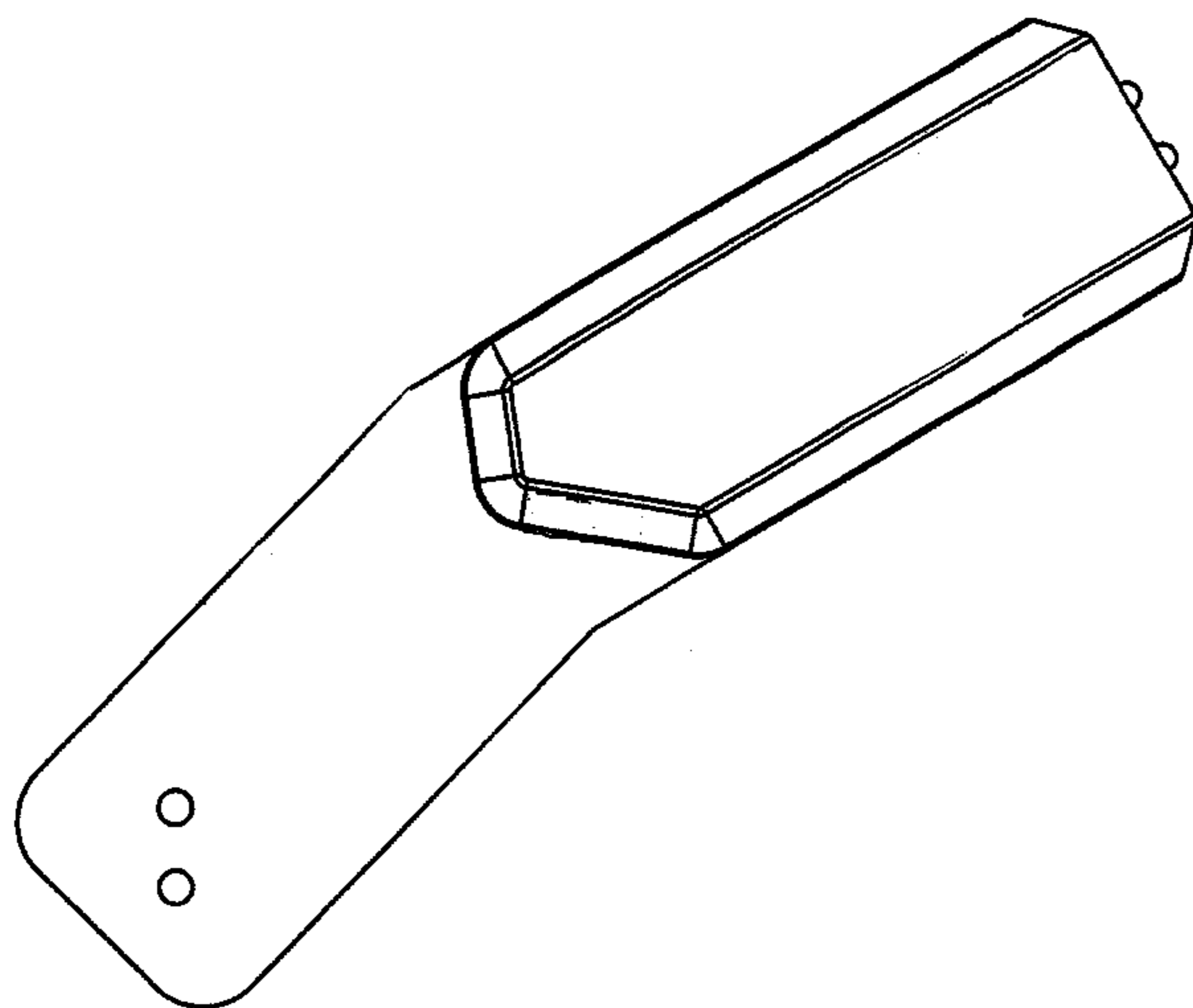
FIG. 4 is a left side view thereof;

FIG. 5 is a top plan view thereof;

FIG. 6 is a bottom view thereof; and,

FIG. 7 is a perspective view thereof.

1 Claim, 7 Drawing Sheets



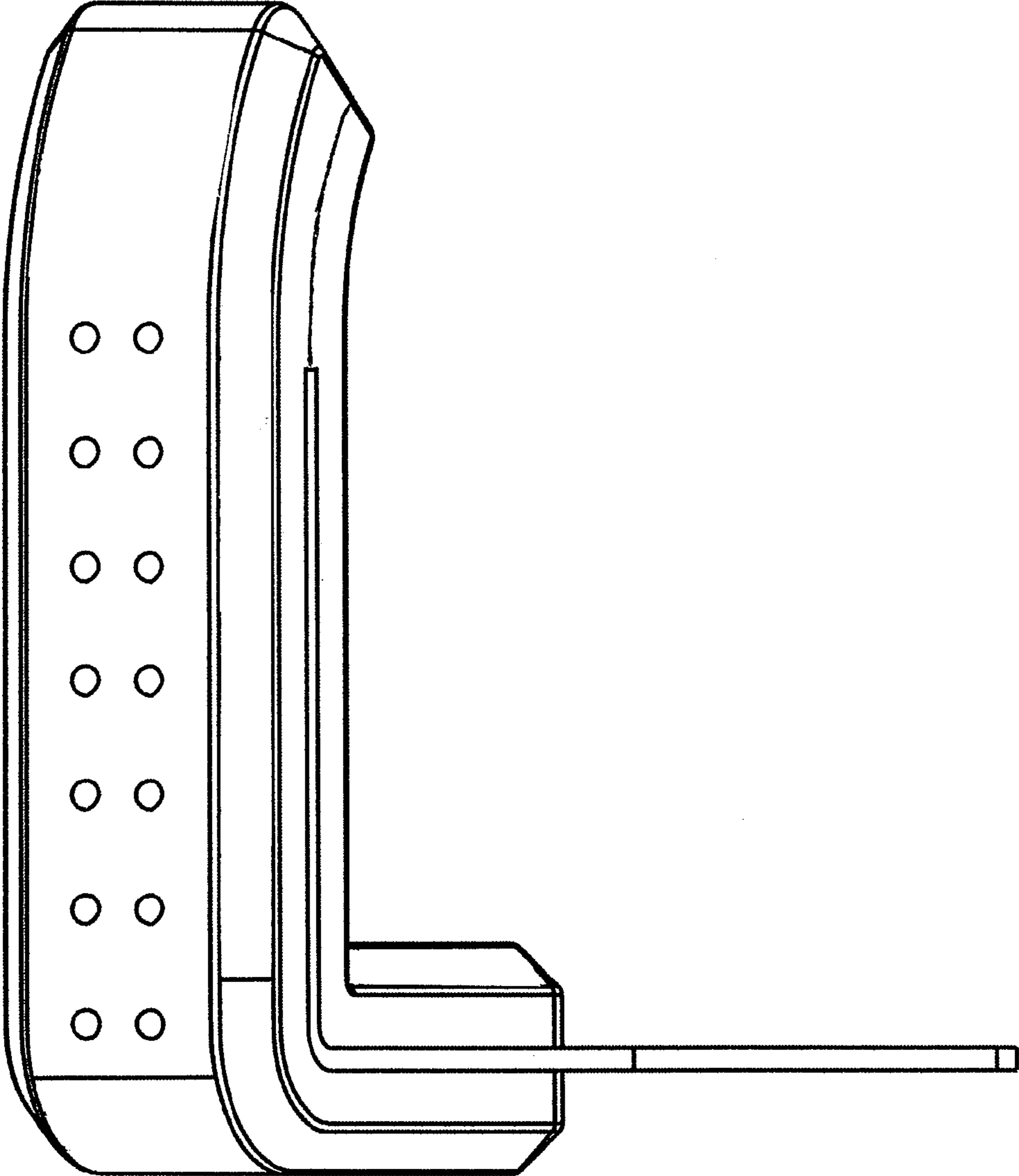


Fig. 1

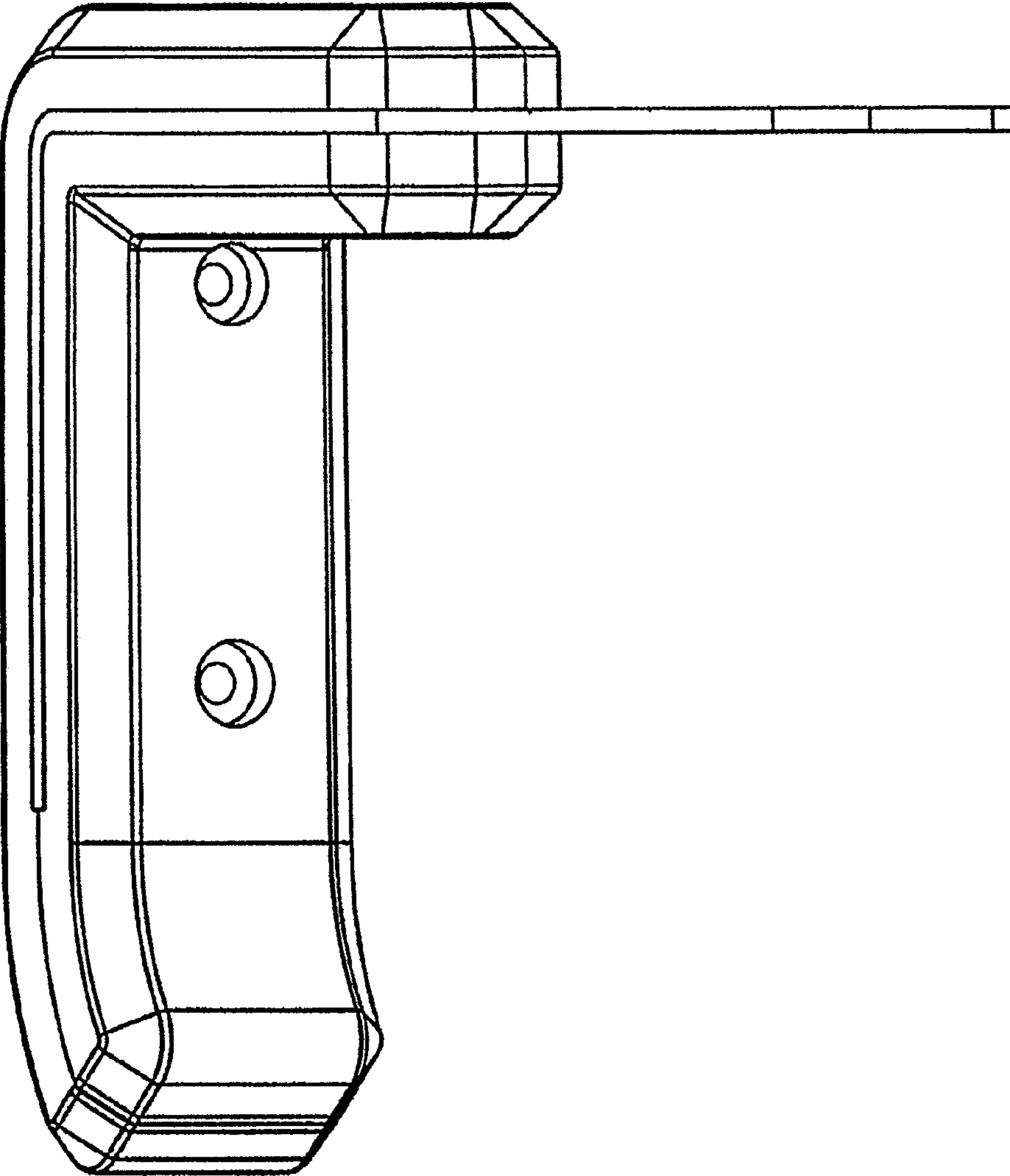


Fig. 2

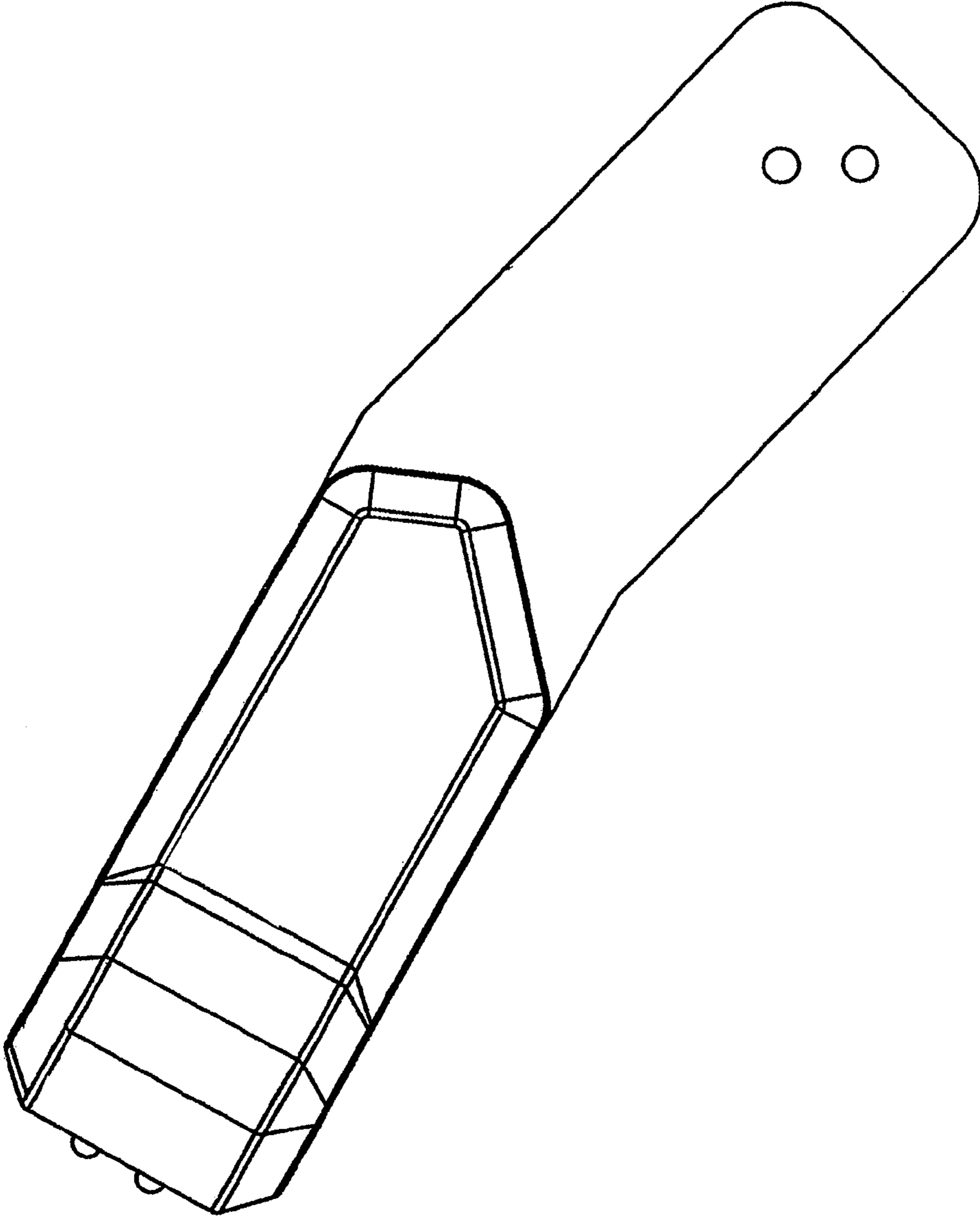


Fig. 3

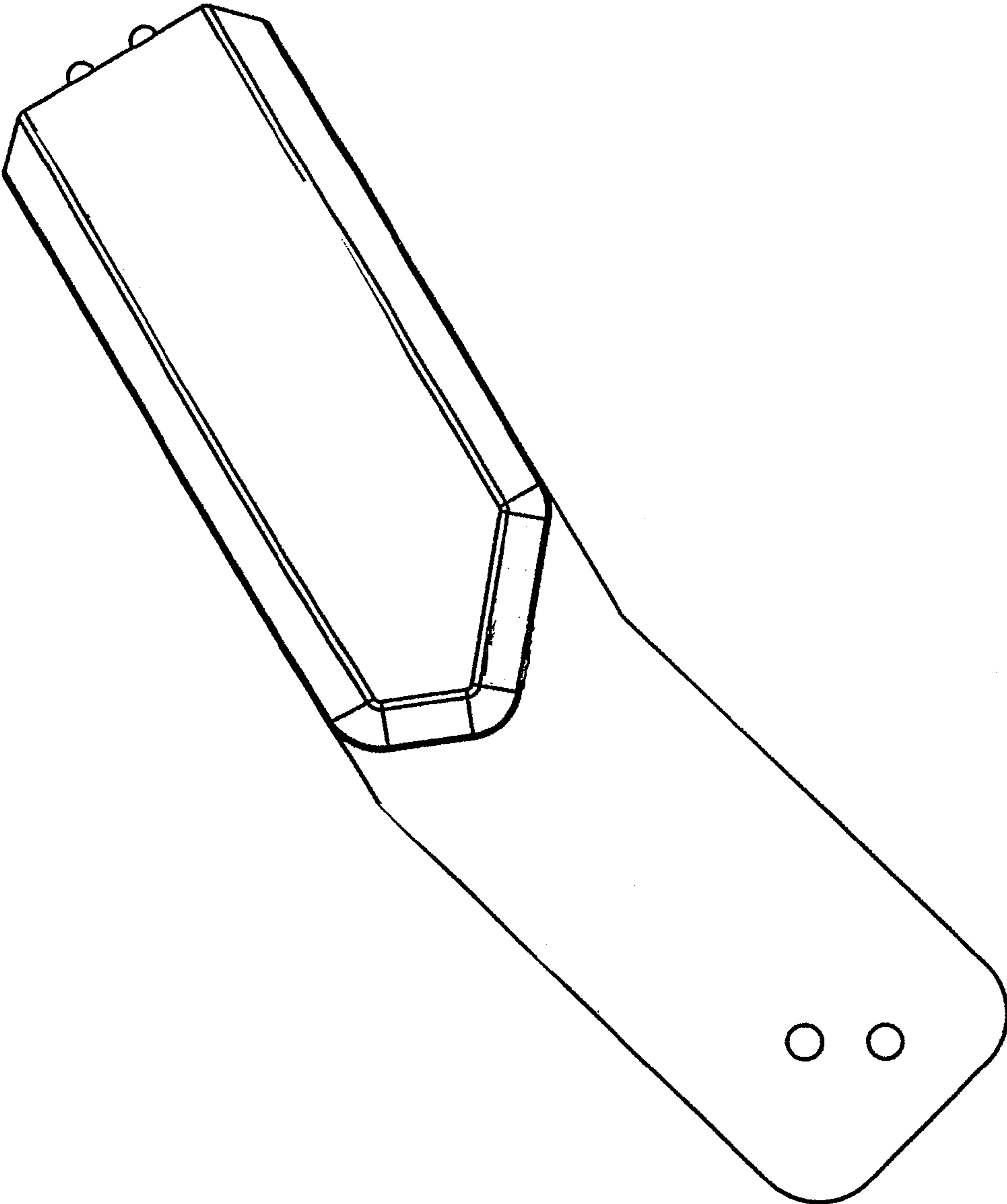


Fig. 4

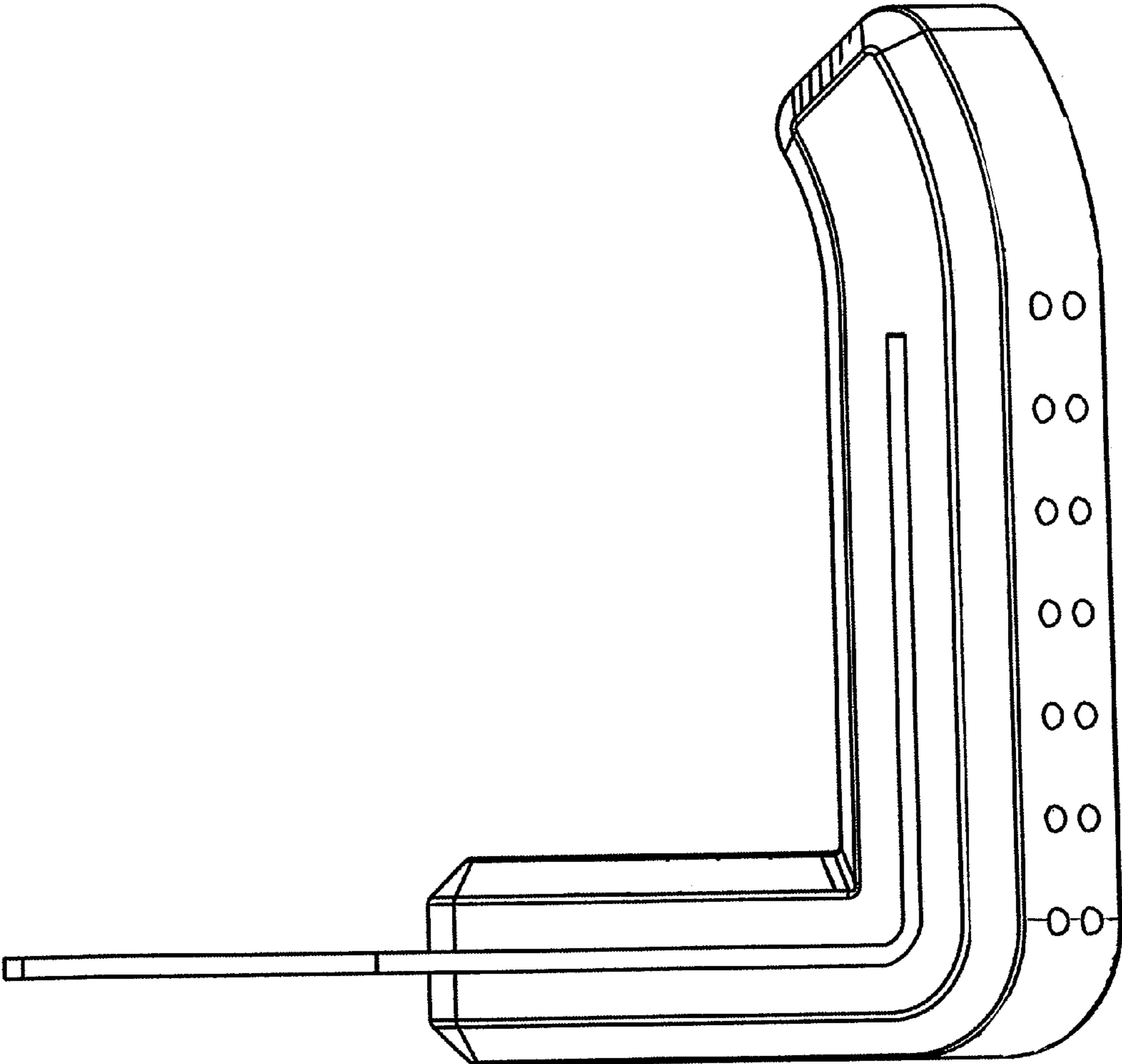


Fig. 5

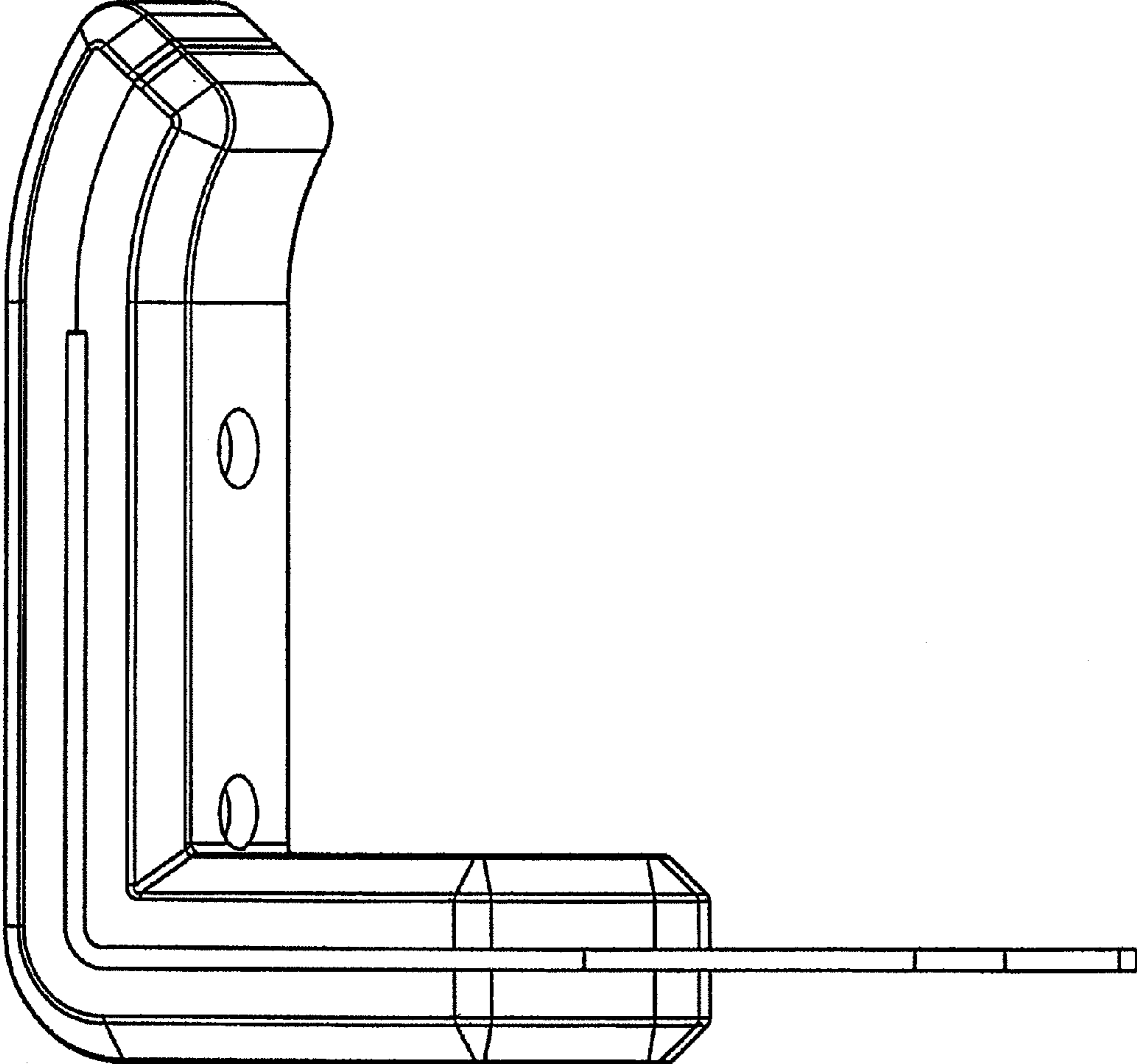


Fig. 6

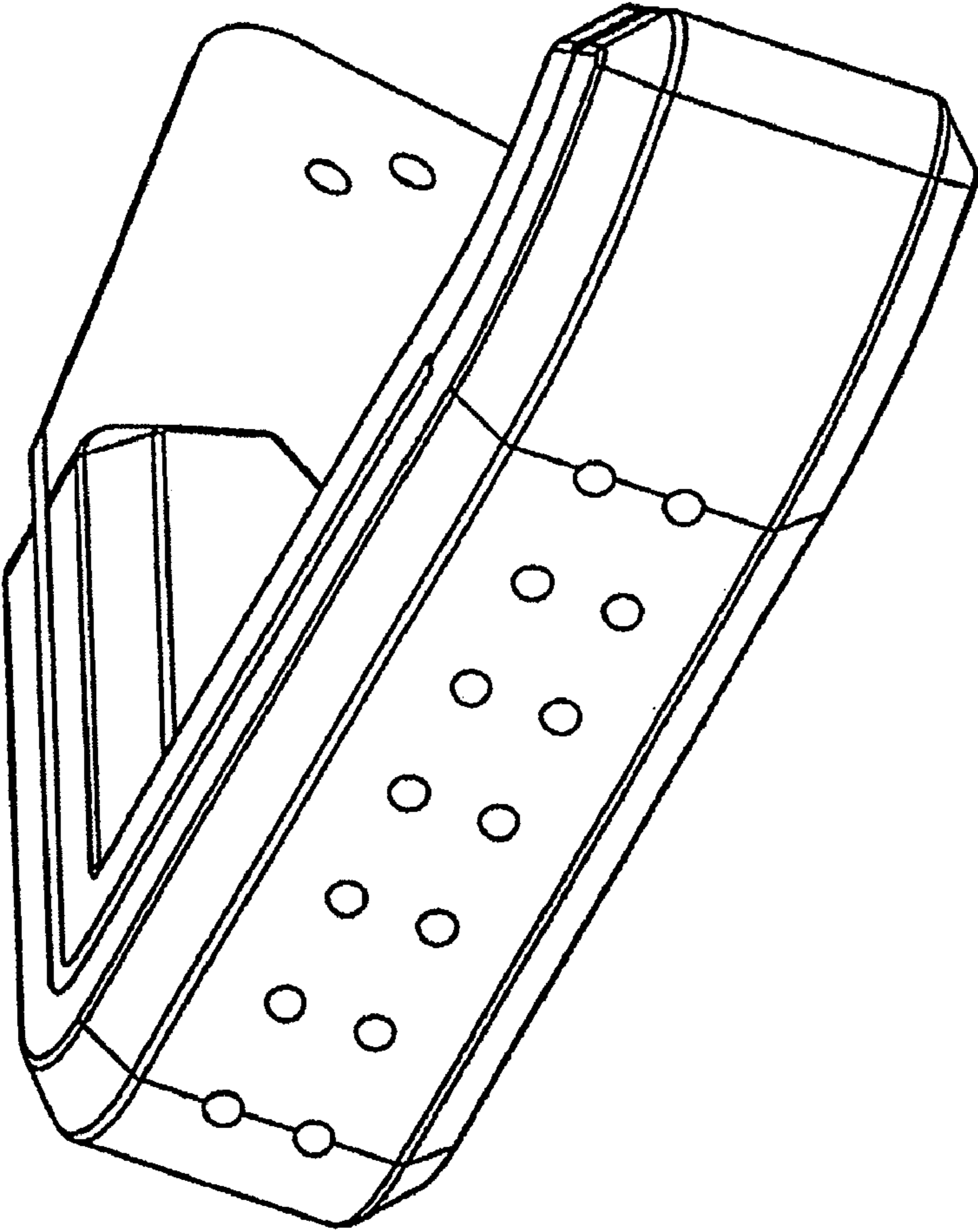


Fig. 7