



US00D616242S

(12) **United States Design Patent**  
**Twycross**

(10) **Patent No.:** **US D616,242 S**

(45) **Date of Patent:** **\*\* May 25, 2010**

(54) **CONTAINER**

(75) Inventor: **Lee Matthew Twycross**, Saunderton  
(GB)

(73) Assignee: **Dairy Crest Limited** (GB)

(\*\*) Term: **14 Years**

(21) Appl. No.: **29/341,660**

(22) Filed: **Aug. 10, 2009**

(30) **Foreign Application Priority Data**

Feb. 10, 2009 (EM) ..... 001088454

(51) **LOC (9) Cl.** ..... **07-01**

(52) **U.S. Cl.** ..... **D7/321; D7/319; D7/317**

(58) **Field of Classification Search** ..... D7/316-319,  
D7/600, 598, 510, 511, 321, 312; 222/129.1,  
222/465.1

See application file for complete search history.

(56) **References Cited**

**U.S. PATENT DOCUMENTS**

D157,795 S	3/1950	Schwarz	
2,950,847 A *	8/1960	Tupper	222/465.1
D190,964 S *	7/1961	Elias	D7/321
D308,459 S	6/1990	Balzano	
D312,552 S *	12/1990	Carlson	D7/321
D331,861 S	12/1992	Minuti	
D420,545 S	2/2000	Huang	
D498,638 S *	11/2004	Morrison	D7/319
D501,624 S *	2/2005	Kaposi	D7/318
D534,390 S *	1/2007	De'Longhi	D7/318
D542,077 S *	5/2007	Claypool et al.	D7/318

D550,021 S *	9/2007	Heiberg et al.	D7/319
D558,507 S	1/2008	Picozza et al.	
D568,666 S	5/2008	Souloglou	
D587,957 S	3/2009	Imai	
D595,085 S *	6/2009	Carlson	D7/392
D600,063 S *	9/2009	Harbutt et al.	D7/319

**OTHER PUBLICATIONS**

File History for U.S. Appl. No. 29/321,859. (Notice of Allowance for U.S. Appl. No. 29/321,859 at pp. 20 to 24 of Exhibit 1 and U.S. Appl. No. 29/321,859 is located at pp. 49 to 54 of Exhibit 1).

File History for U.S. Appl. No. 12/189,512 (U.S. Appl. No. 12/189,512, at pp. 47 to 57 of Exhibit 2).

\* cited by examiner

*Primary Examiner*—Marianne Pandozzi

(74) *Attorney, Agent, or Firm*—Faegre & Benson LLP

(57) **CLAIM**

The ornamental design for container, as shown and described.

**DESCRIPTION**

FIG. 1 is a side view.

FIG. 2 is a top view.

FIG. 3 is a bottom view.

FIG. 4 is a front view.

FIG. 5 is a back view.

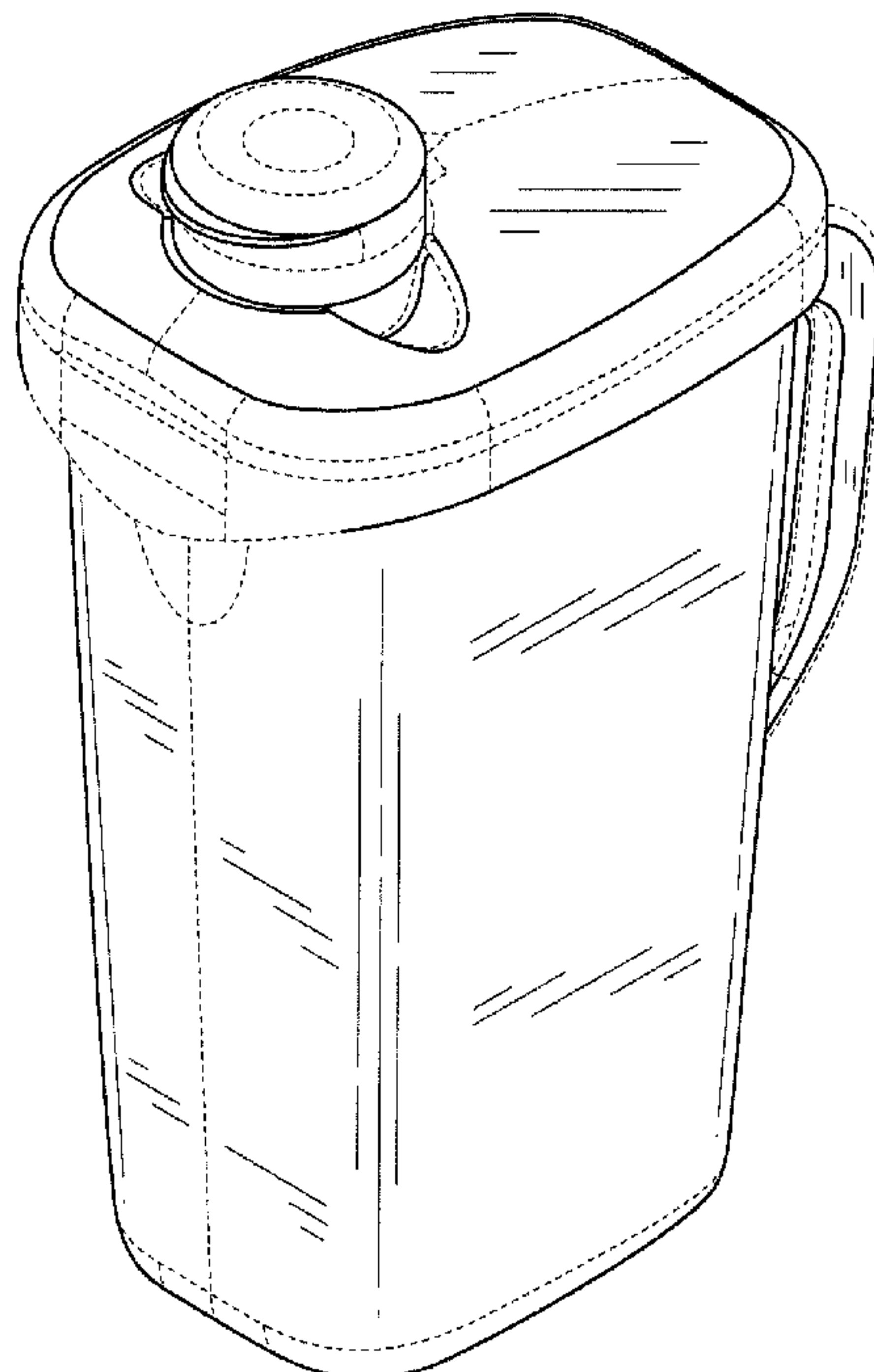
FIG. 6 is a front perspective view.

FIG. 7 is a back perspective view; and,

FIG. 8 is another back perspective view.

The broken line showing is for illustrative purpose only and forms no part of the claimed design.

**1 Claim, 8 Drawing Sheets**



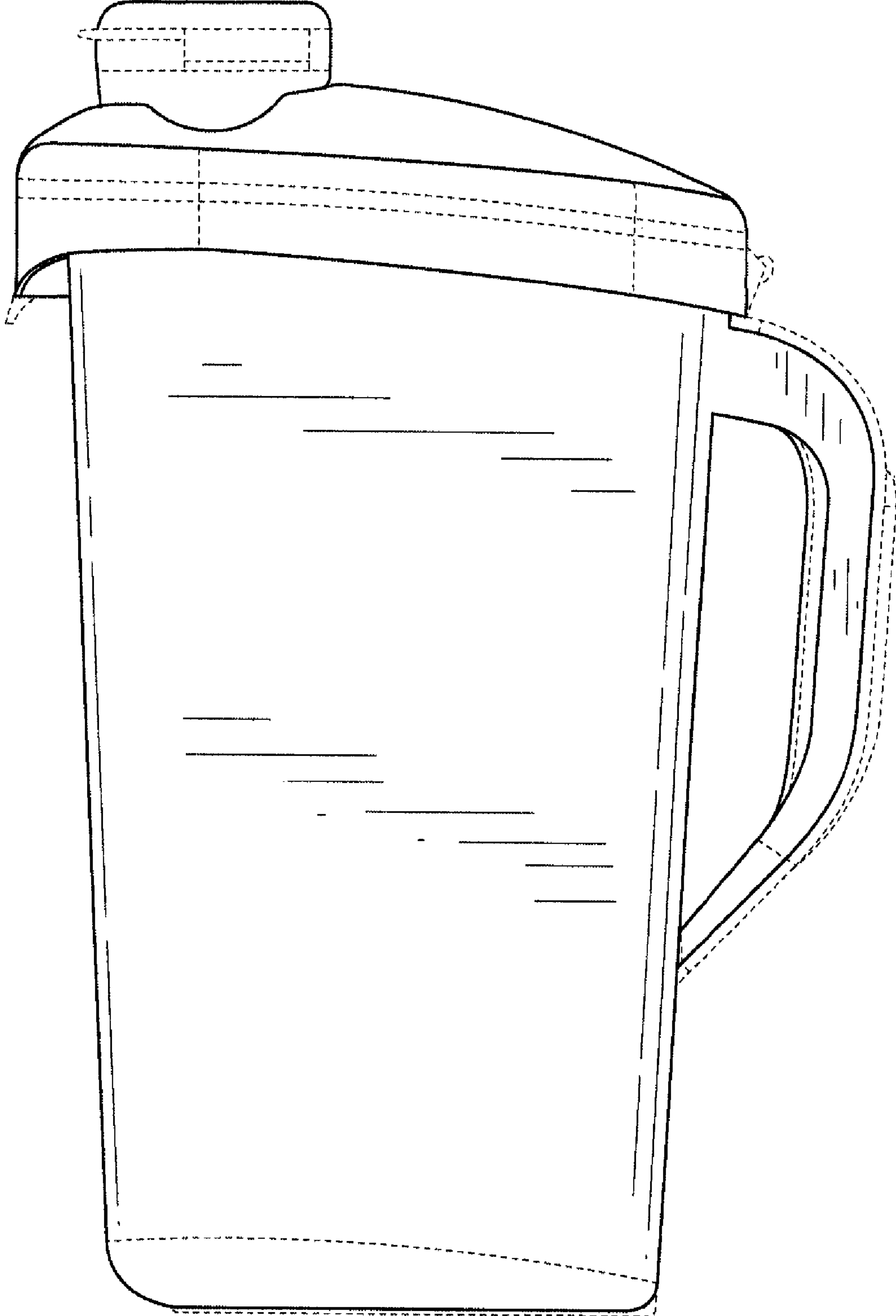


FIG.1

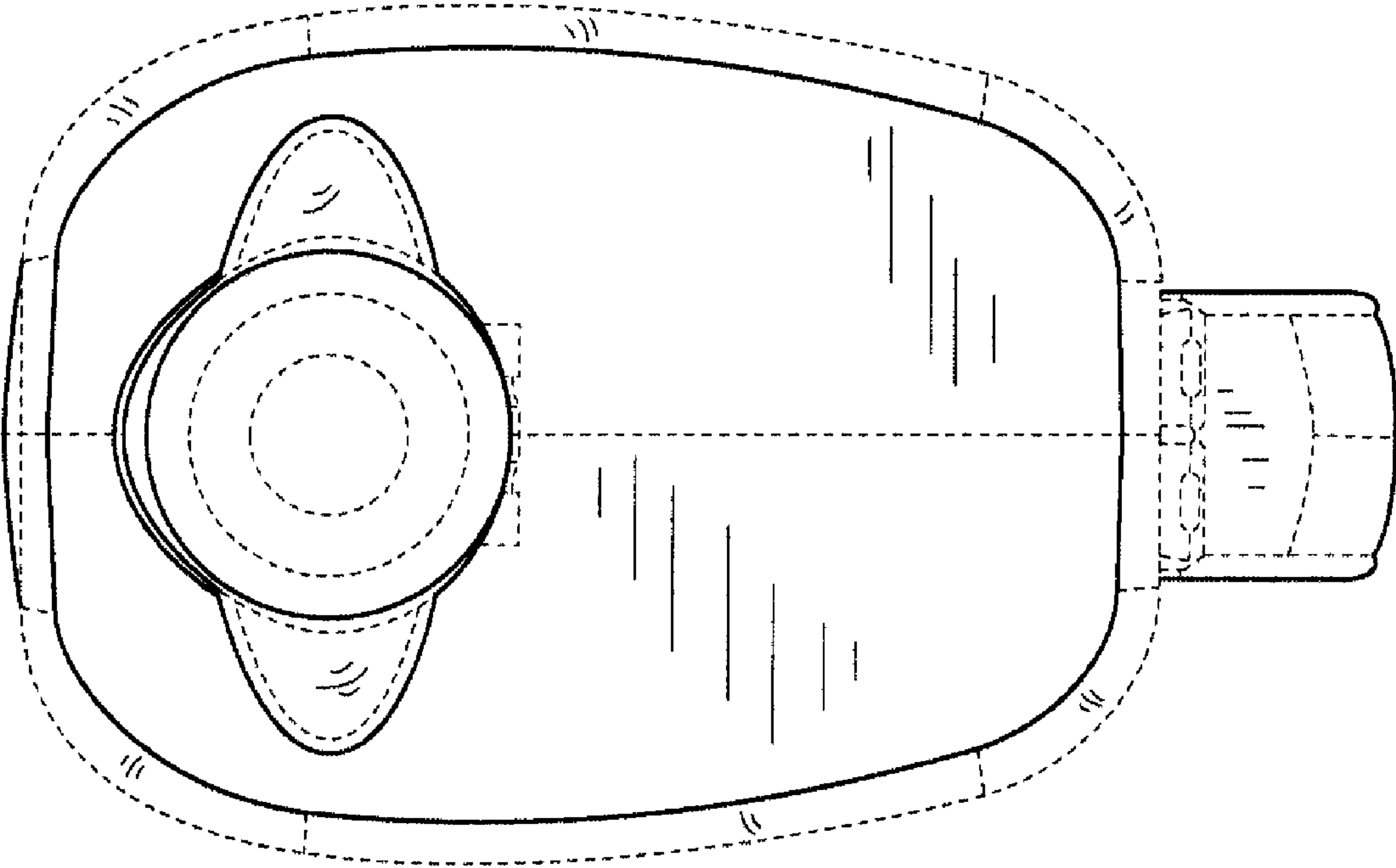


FIG.2

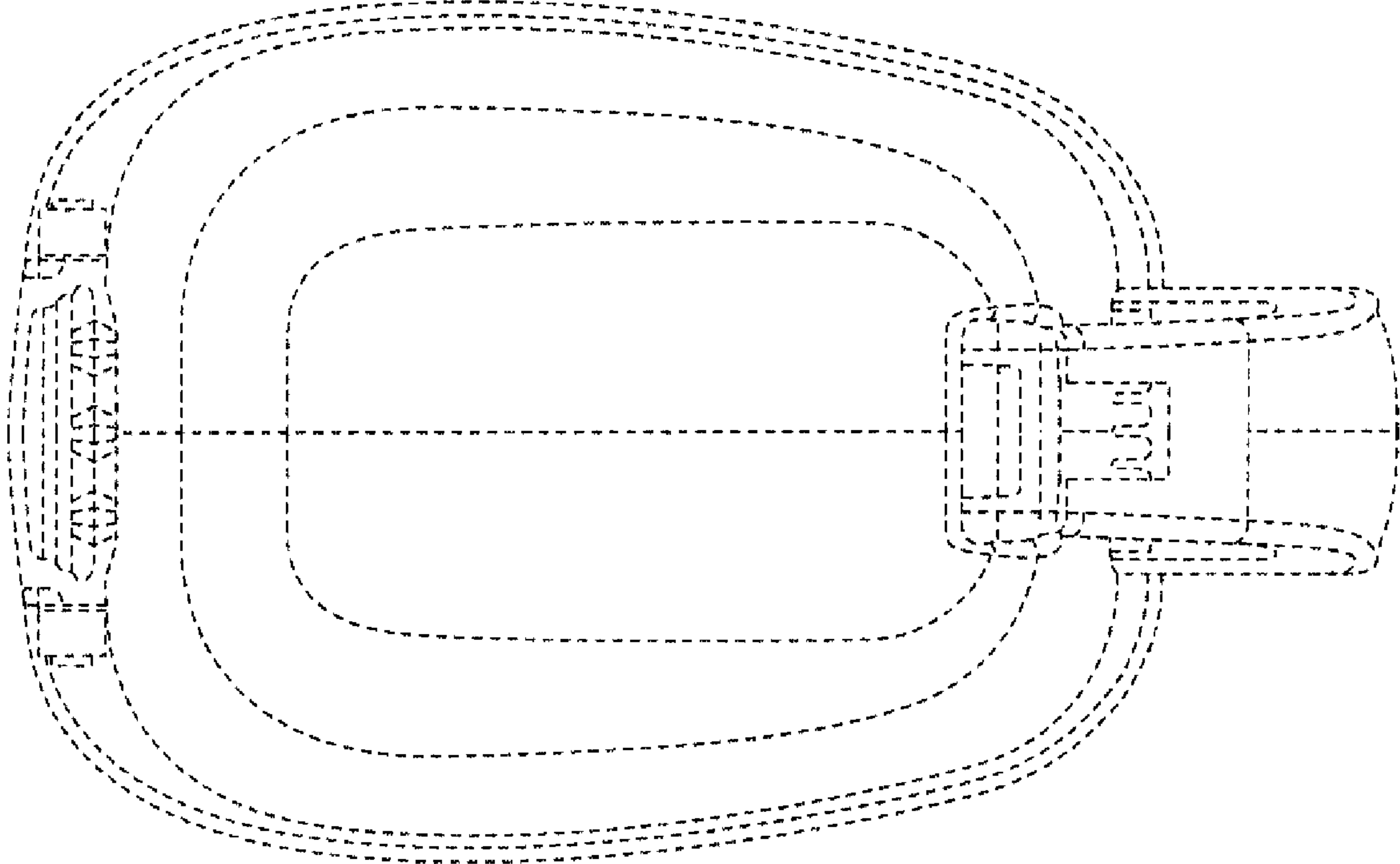


FIG.3

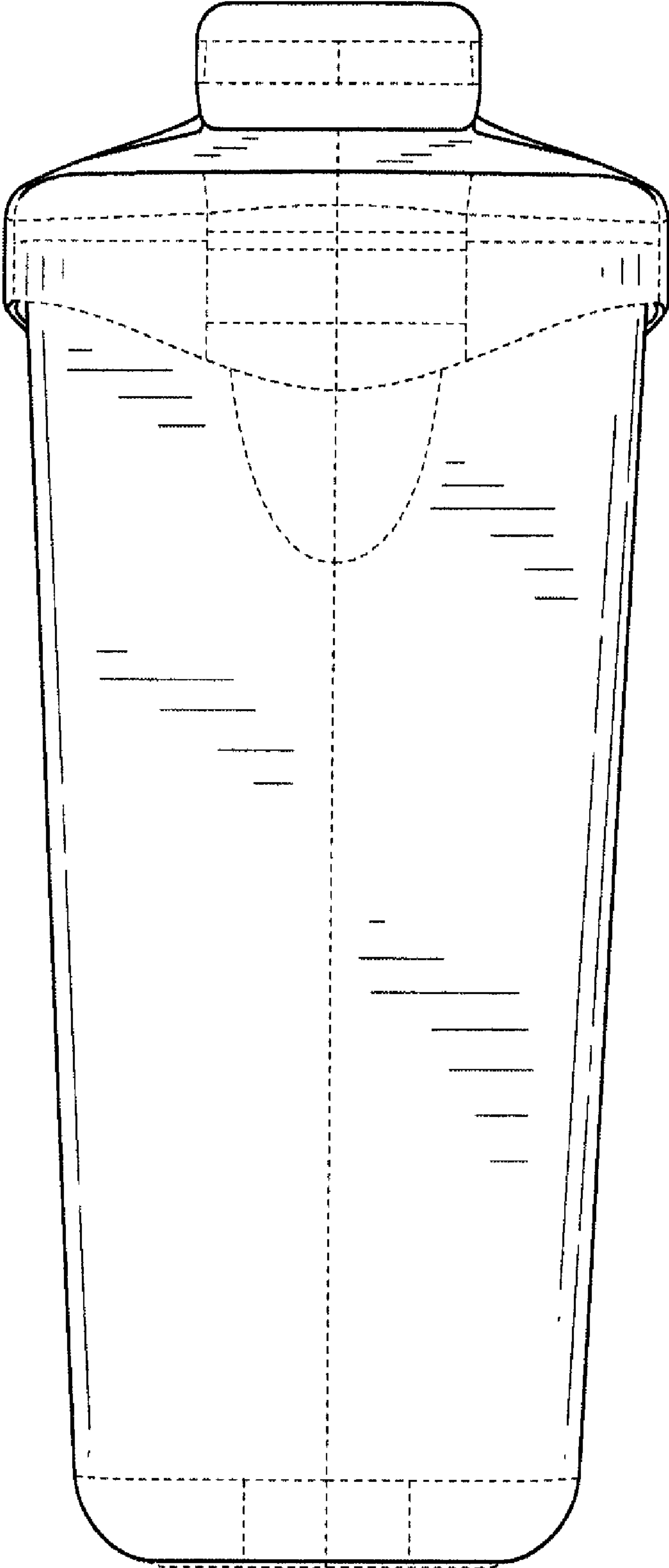


FIG.4

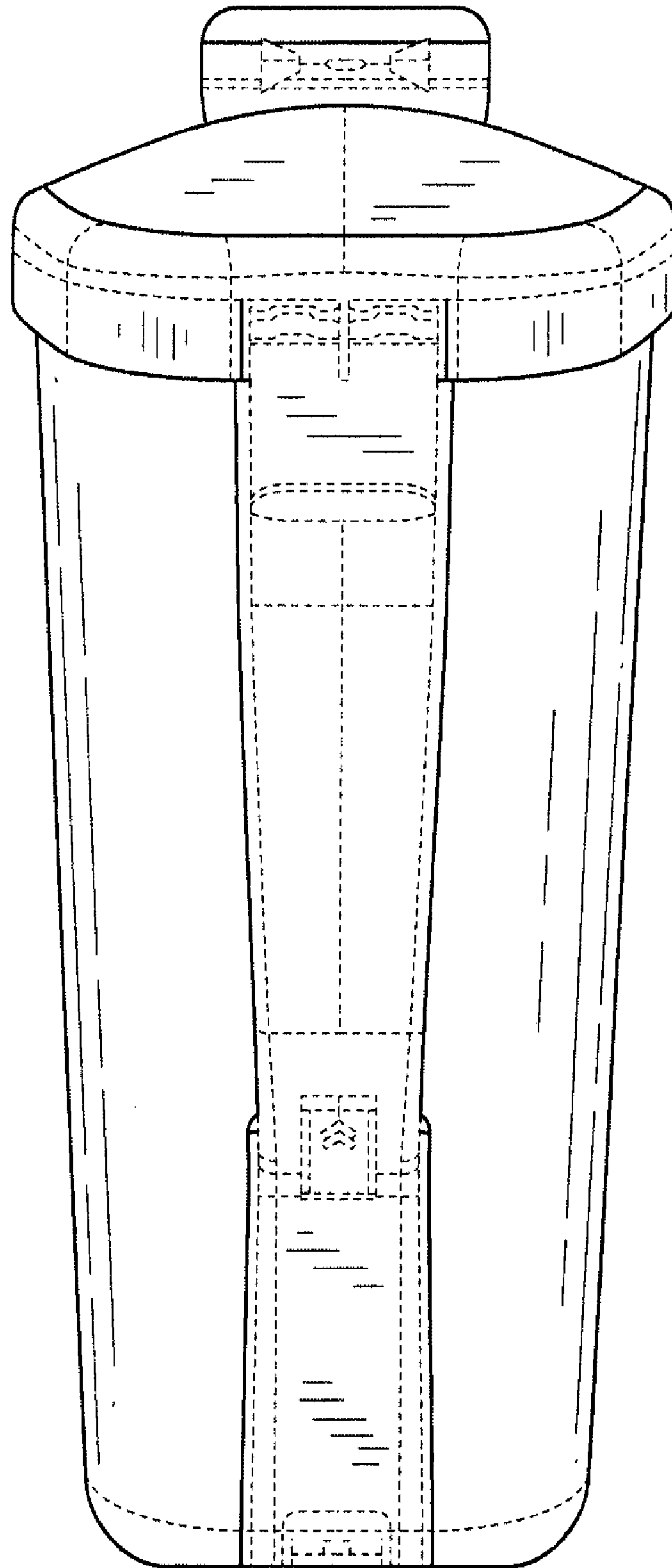


FIG.5

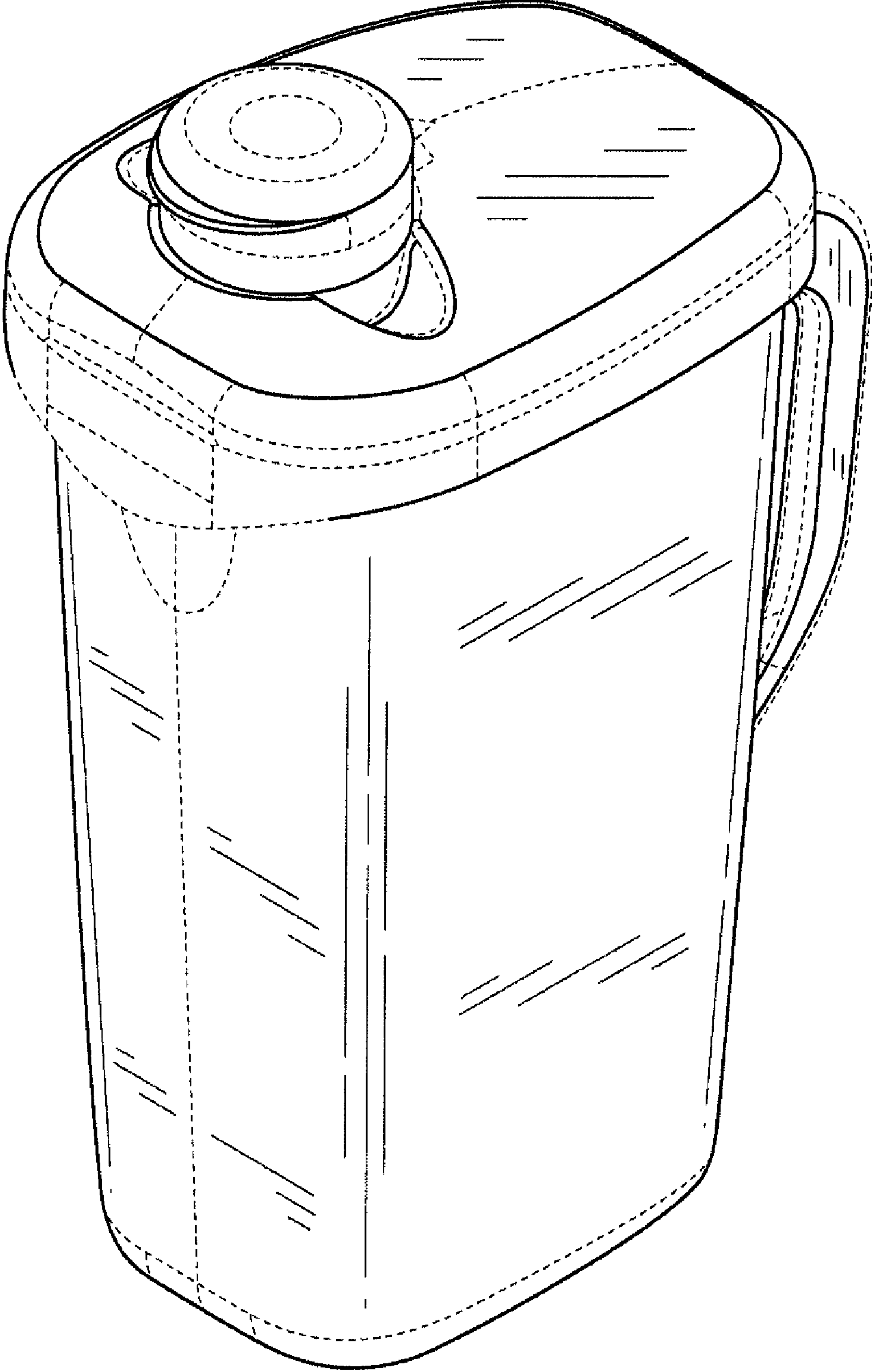


FIG.6



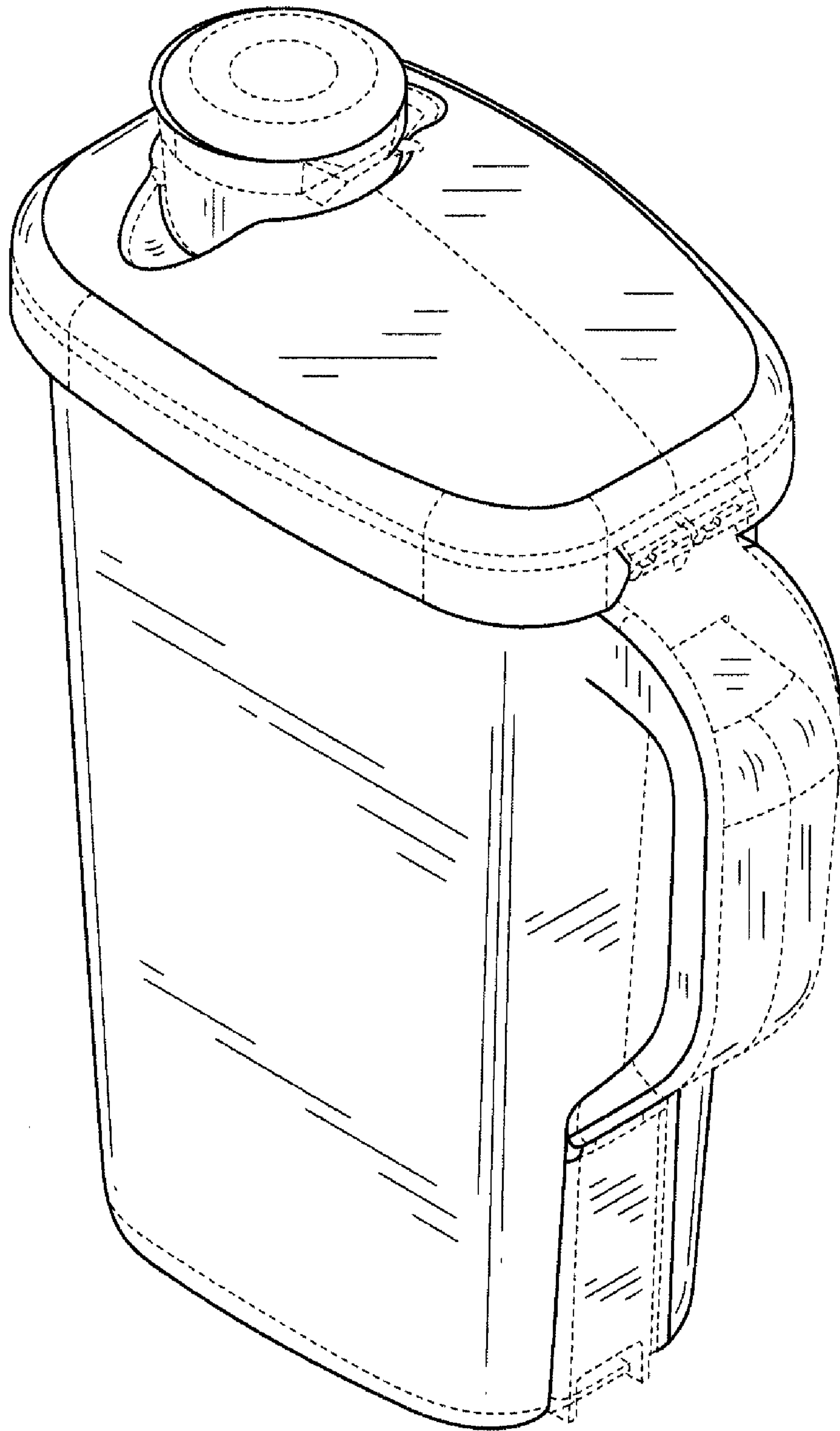


FIG.7



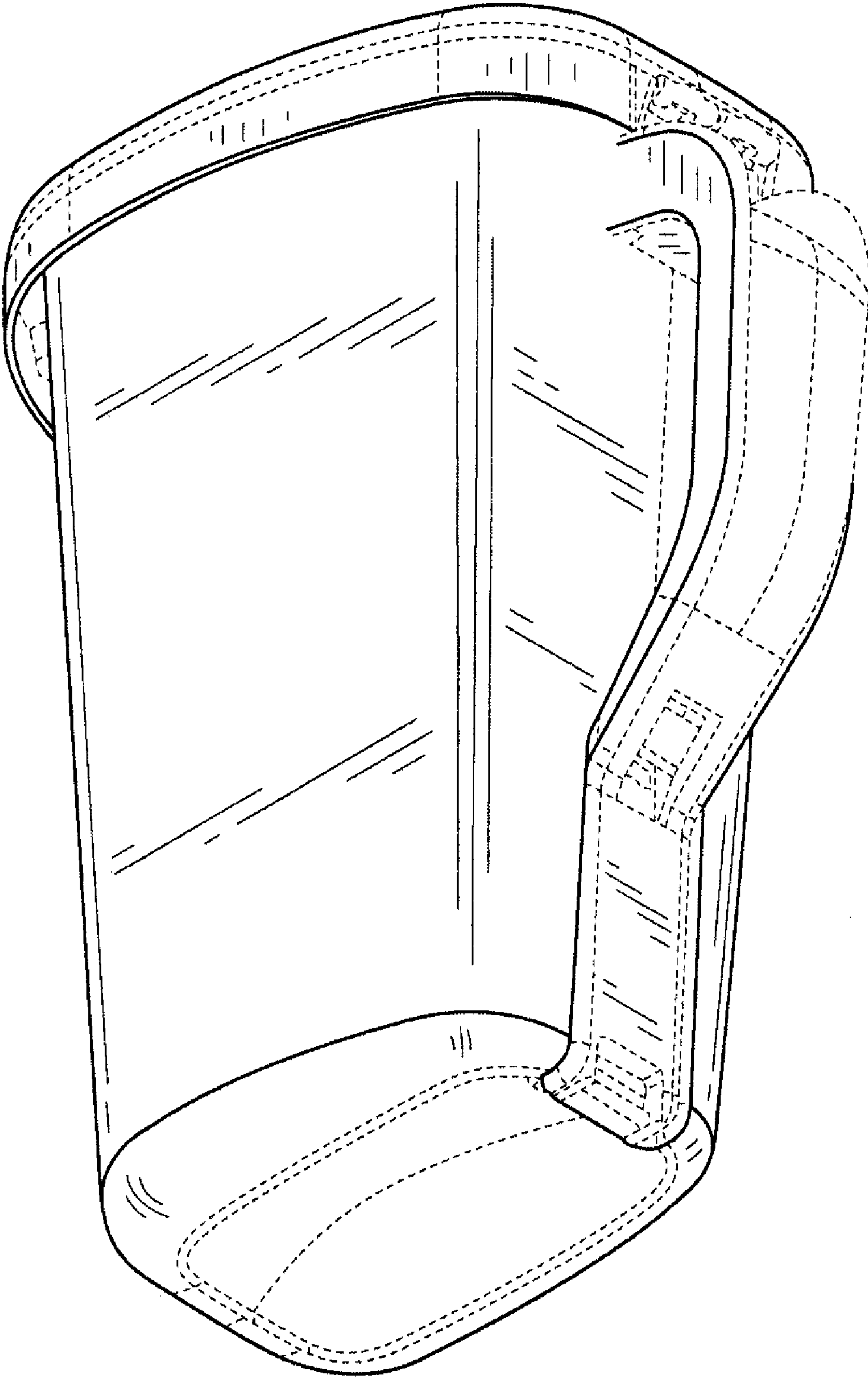


FIG.8