



US00D616241S

(12) **United States Design Patent**
Stein

(10) **Patent No.:** **US D616,241 S**

(45) **Date of Patent:** **** May 25, 2010**

(54) **FOOTBALL HELMET THEMED BEVERAGE DISPENSER**

(75) Inventor: **David J. Stein**, Plain City, OH (US)

(73) Assignee: **Beertubes.Com, LLC**, Plain City, OH (US)

(**) Term: **14 Years**

(21) Appl. No.: **29/352,001**

(22) Filed: **Dec. 15, 2009**

(51) **LOC (9) Cl.** **07-01**

(52) **U.S. Cl.** **D7/301; D7/306**

(58) **Field of Classification Search** D7/301,
D7/309, 306, 901; D9/632; 222/129.1-129.4;
99/295; 2/422, 413

See application file for complete search history.

(56) **References Cited**

U.S. PATENT DOCUMENTS

D75,740 S	7/1928	Look	
D103,078 S *	2/1937	Harrison	D7/313
D262,711 S *	1/1982	Cox et al.	D7/313
D289,610 S *	5/1987	Neyer	D9/632
D337,242 S	7/1993	Steinfels, III	
D344,659 S	3/1994	Hsu	
D363,855 S	11/1995	Van Blankenburg	
5,485,913 A	1/1996	Steinfels, III	
D369,529 S	5/1996	Blankenburg	
D412,262 S	7/1999	Roundtree	
D431,145 S	9/2000	Woebcke	
D441,607 S	5/2001	Steinfels	
D471,060 S	3/2003	Salsman	

D499,598 S	12/2004	Guadalupi	
D545,108 S *	6/2007	Stein	D7/301
D560,413 S *	1/2008	Stein	D7/301
D597,780 S *	8/2009	Desrochers	D7/306
D599,158 S *	9/2009	Stein	D7/301
D599,159 S *	9/2009	Stein	D7/306
D604,540 S *	11/2009	Lochen	D6/515
D605,443 S *	12/2009	Lochen	D6/515
D611,287 S *	3/2010	Lochen	D7/301

* cited by examiner

Primary Examiner—Marianne Pandozzi

(74) *Attorney, Agent, or Firm*—Michael J. Gallagher; David J. Dawsey; Gallagher & Dawsey Co., LPA

(57) **CLAIM**

I claim the ornamental design for a football helmet themed beverage dispenser, as shown and described.

DESCRIPTION

FIG. 1 is a left side isometric view of a football helmet themed beverage dispenser showing my new design;

FIG. 2 is a left side elevation view thereof;

FIG. 3 is a right side elevation view thereof;

FIG. 4 is a front elevation view thereof;

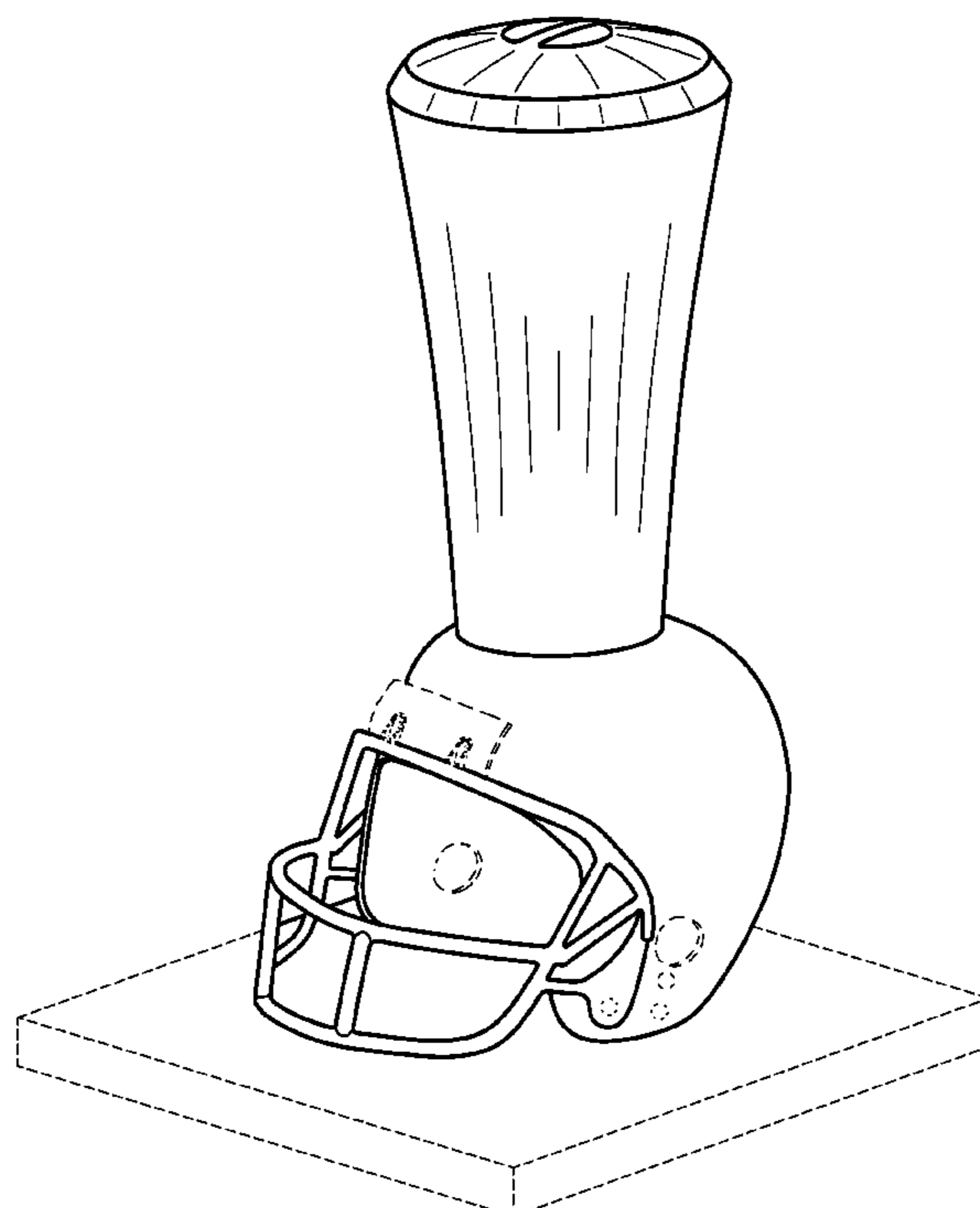
FIG. 5 is a rear elevation view thereof;

FIG. 6 is a top plan view thereof; and,

FIG. 7 is a bottom plan view thereof.

The broken lines in the drawings is included for the purpose of illustration and form no part of the claimed design.

1 Claim, 4 Drawing Sheets



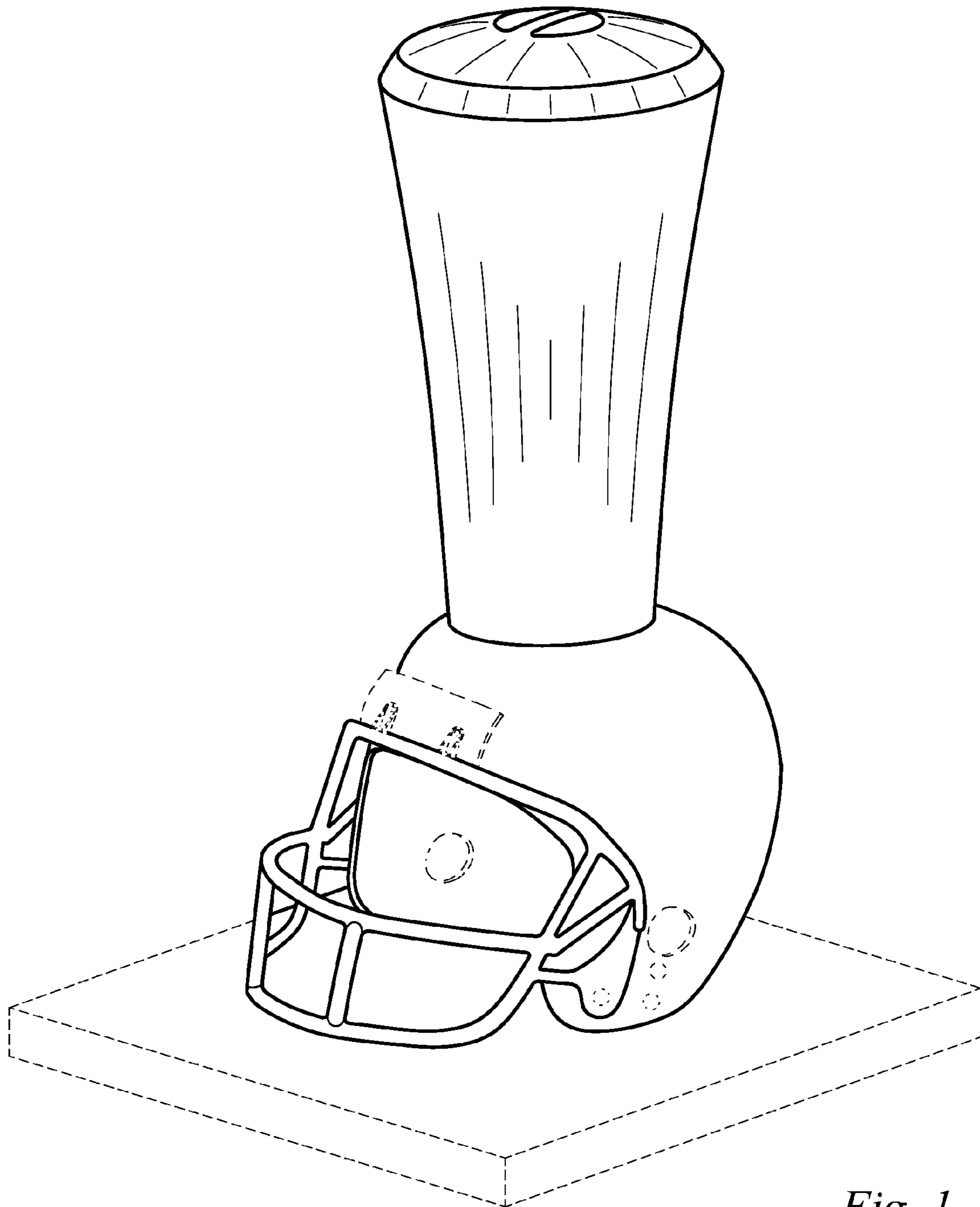


Fig. 1

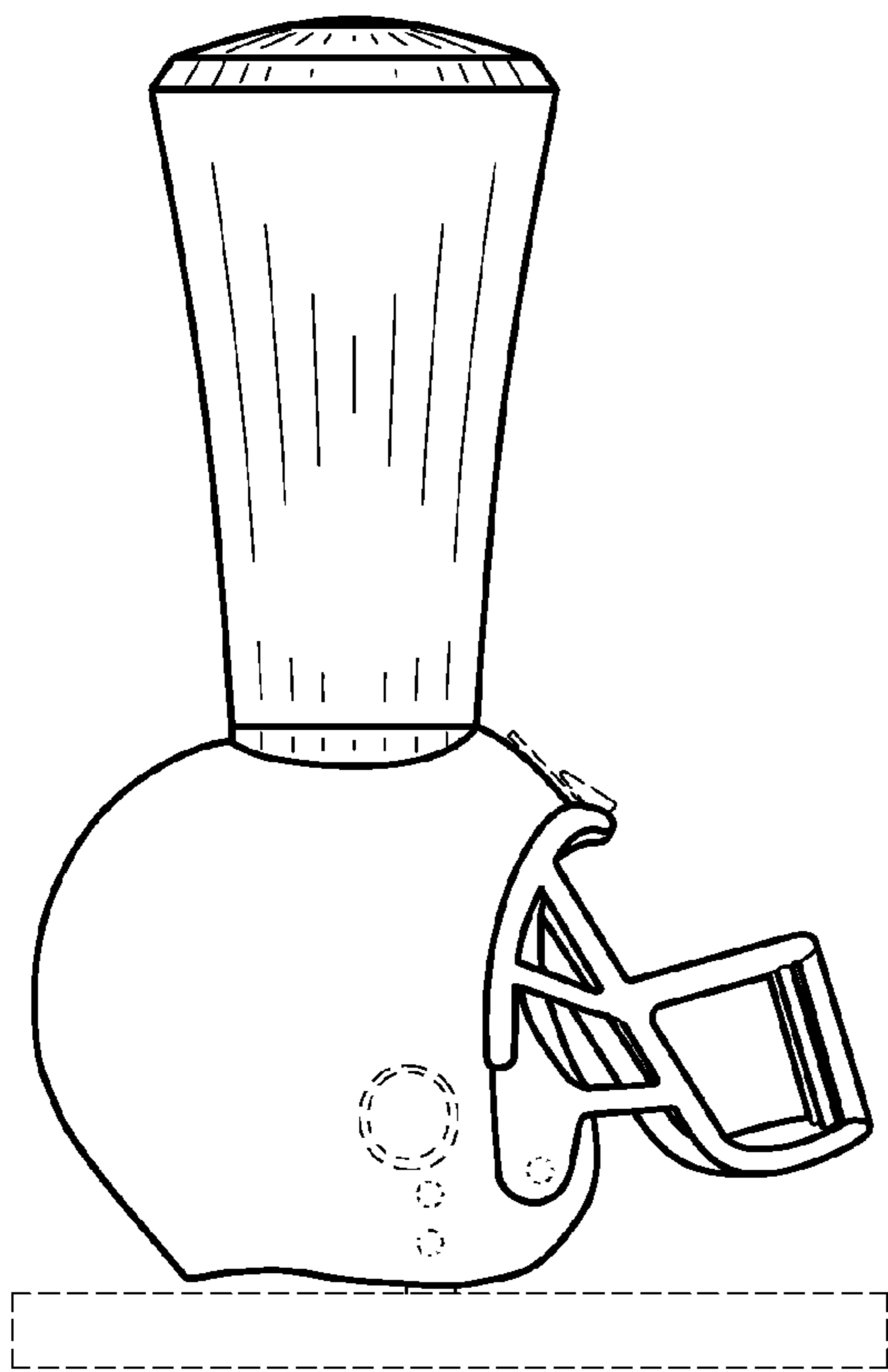


Fig. 2

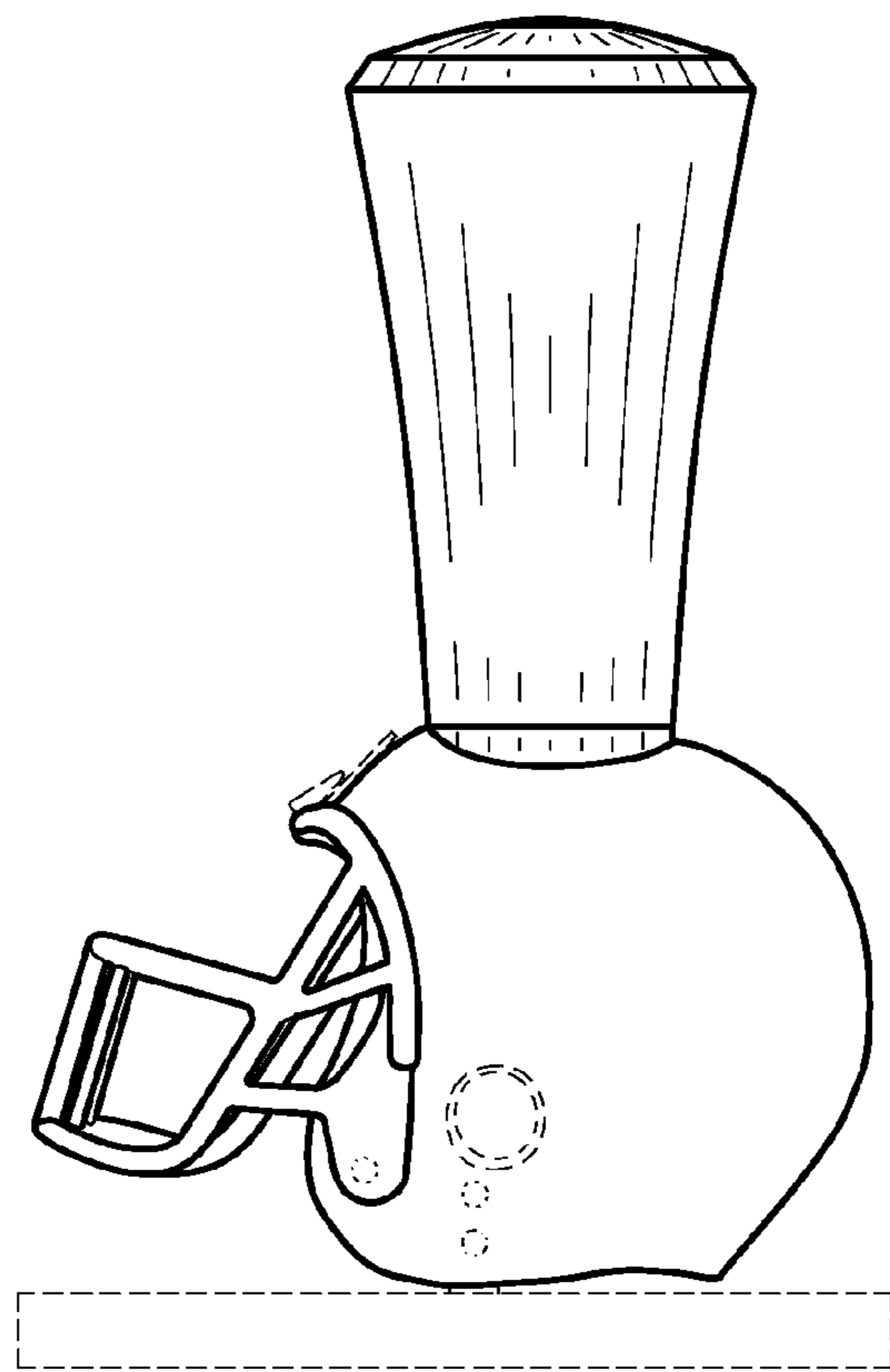


Fig. 3

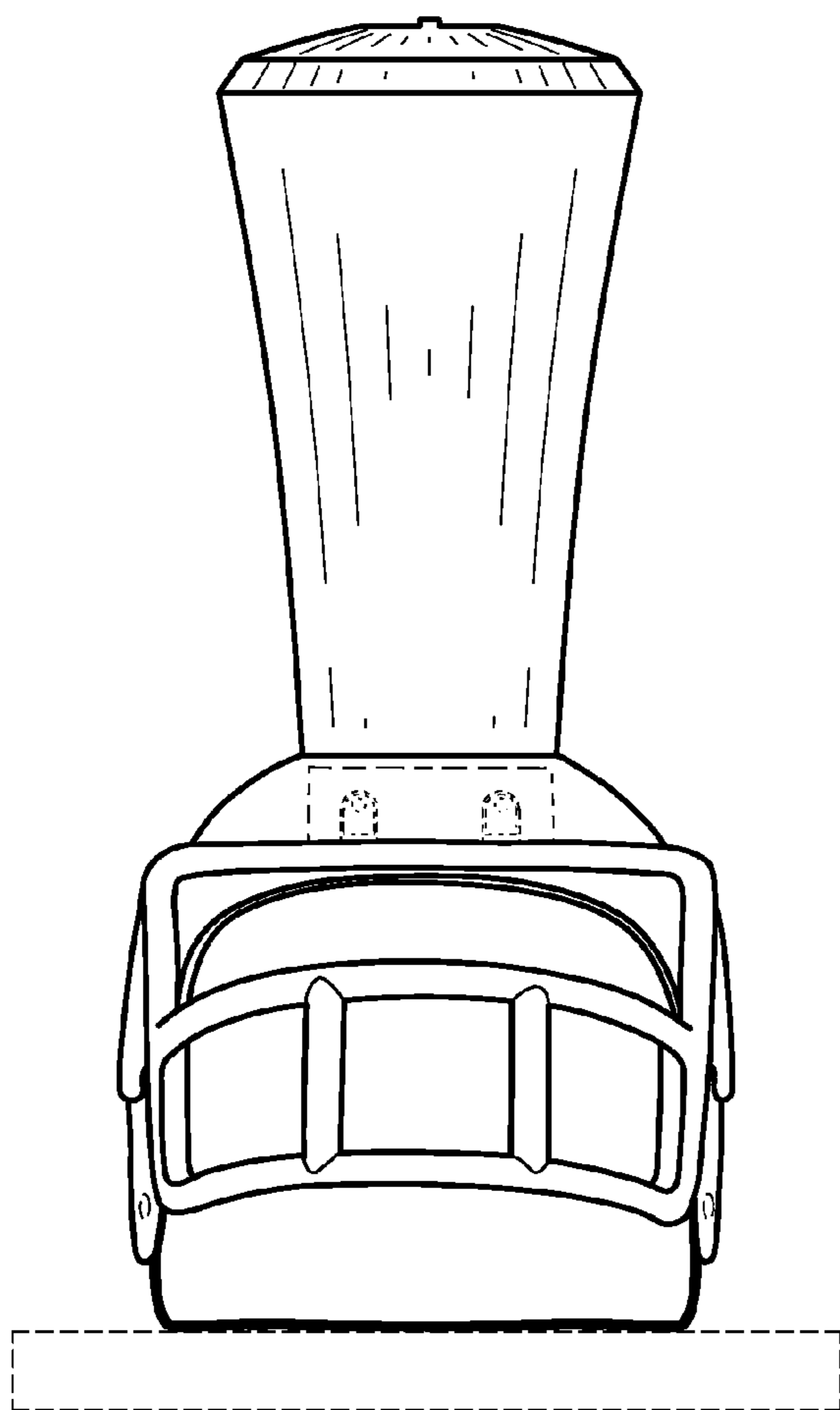


Fig. 4

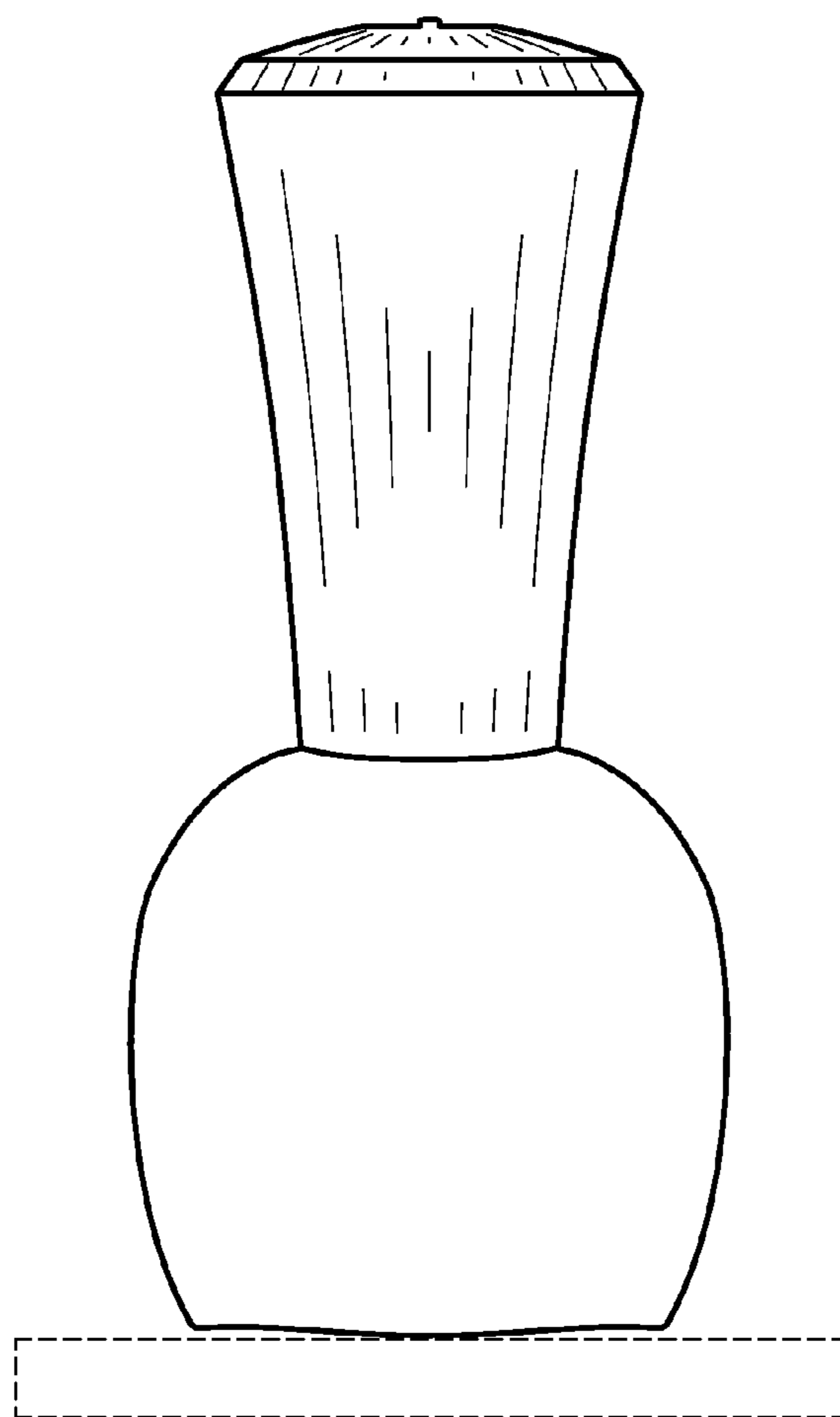


Fig. 5

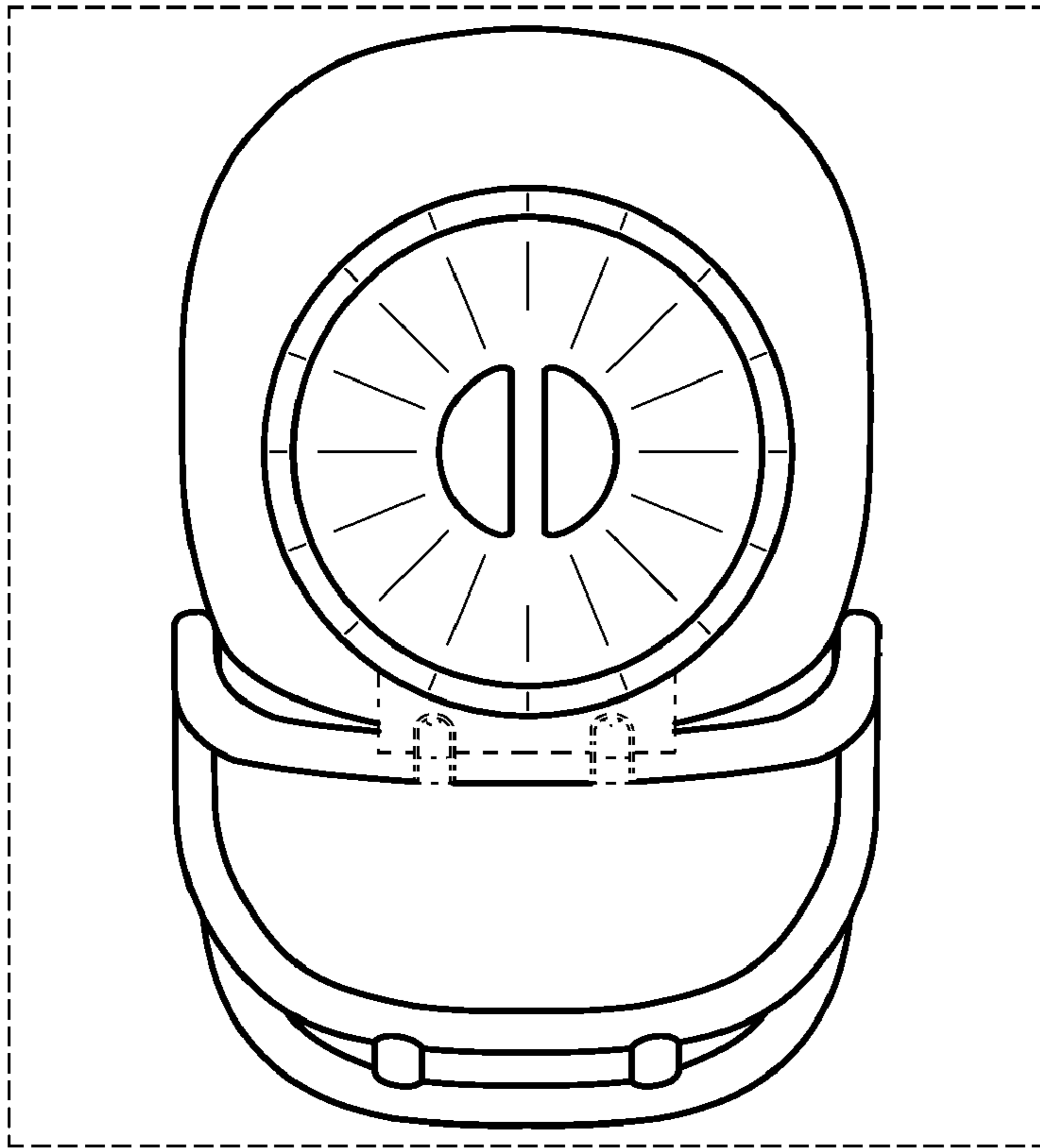


Fig. 6



Fig. 7