



US00D616237S

(12) **United States Design Patent**
Ydremark

(10) **Patent No.:** **US D616,237 S**

(45) **Date of Patent:** **** May 25, 2010**

(54) **ANATOMICAL CUSHION**

D310,609 S * 9/1990 Burkhardt D6/601
5,644,809 A * 7/1997 Olson 5/636
D476,186 S * 6/2003 Wang et al. D6/601

(75) Inventor: **Hanna Ydremark**, Myrvagen (SE)

(73) Assignee: **Simplus AB**, Mora (SE)

* cited by examiner

(**) Term: **14 Years**

Primary Examiner—Janice E Seeger

(74) *Attorney, Agent, or Firm*—Young & Thompson

(21) Appl. No.: **29/346,775**

(22) Filed: **Nov. 5, 2009**

(57) **CLAIM**

The ornamental design for an anatomical cushion, as shown.

(30) **Foreign Application Priority Data**

May 7, 2009 (EM) 001506403-0001

DESCRIPTION

(51) **LOC (9) Cl.** **06-09**

FIG. 1 is a top and side perspective view of an anatomical cushion showing my new design;

(52) **U.S. Cl.** **D6/601**

FIG. 2 is a top plan view thereof;

(58) **Field of Classification Search** D6/595–601,
D6/604, 605; 5/630, 633, 636–638, 640,
5/644, 648, 652–654, 655.3, 655.6, 655.9,
5/656, 657, 657.5; D21/803, 804

FIG. 3 is a side elevational view thereof from the left of FIG. 2;

See application file for complete search history.

FIG. 4 is a side elevational view thereof from the right of FIG. 2;

(56) **References Cited**

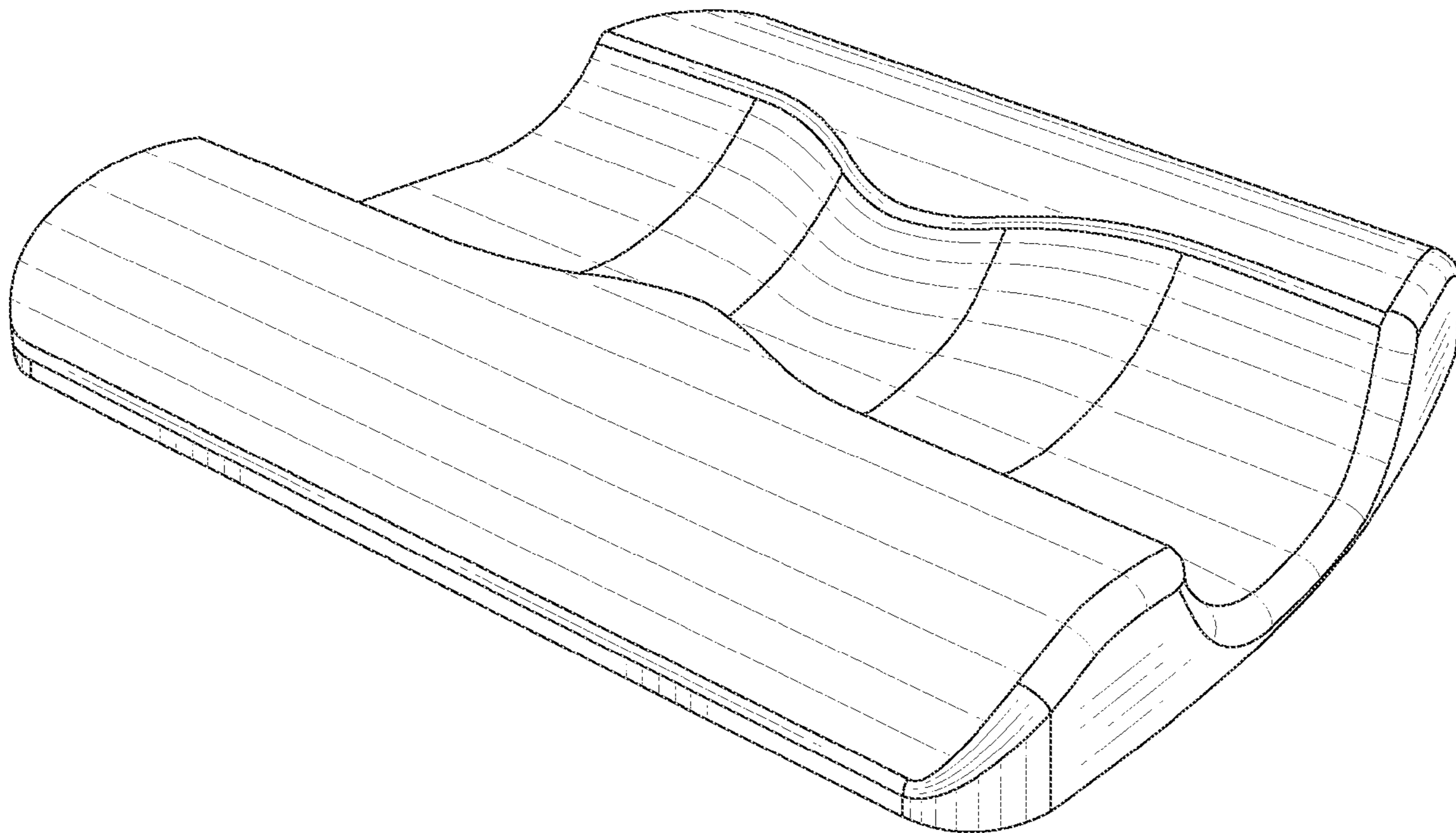
FIG. 5 is a view thereof from the top of FIG. 2; and,

U.S. PATENT DOCUMENTS

FIG. 6 is a bottom plan view thereof.

D246,626 S * 12/1977 Shenk D6/601

1 Claim, 6 Drawing Sheets



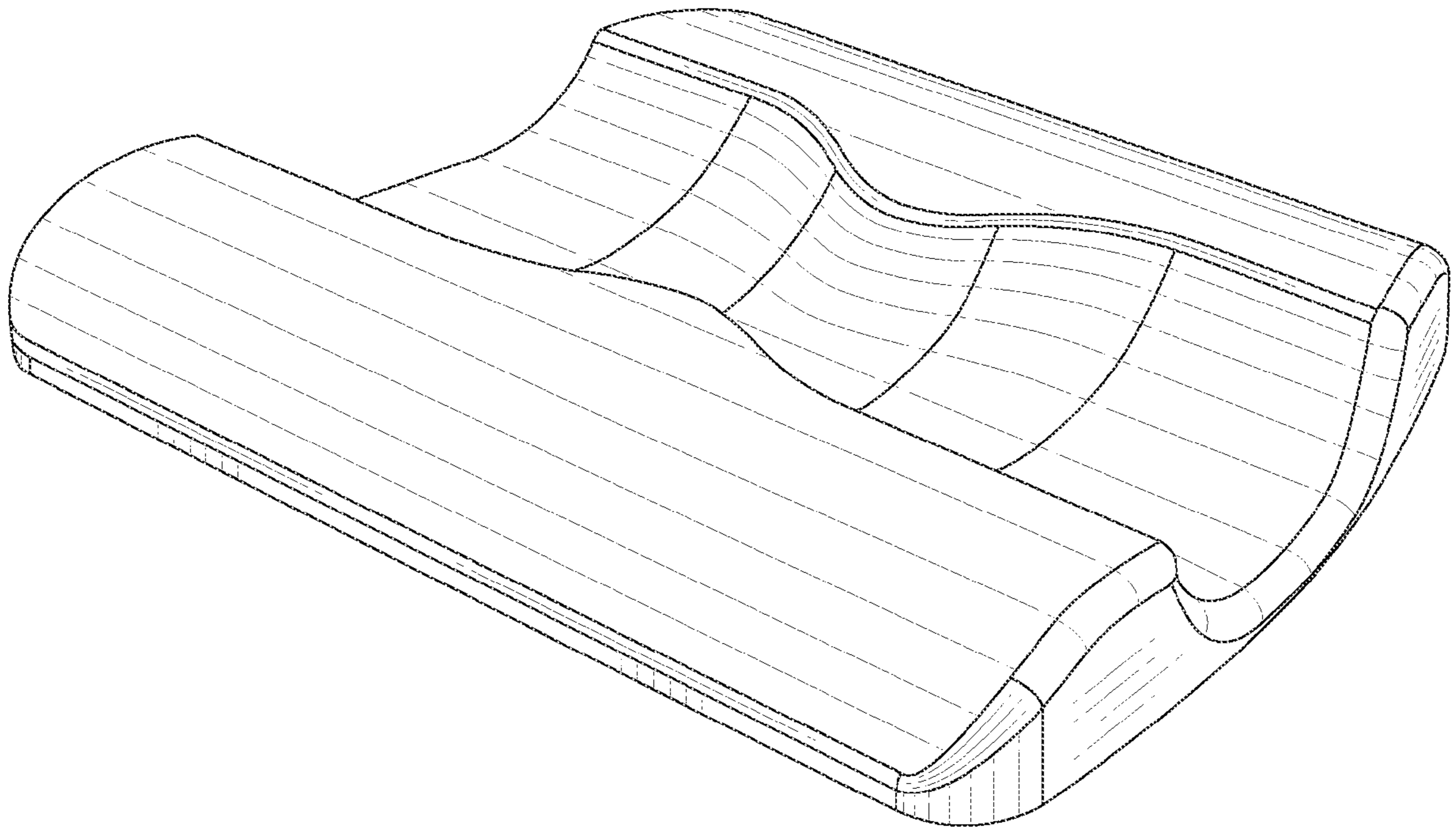


Figure 1

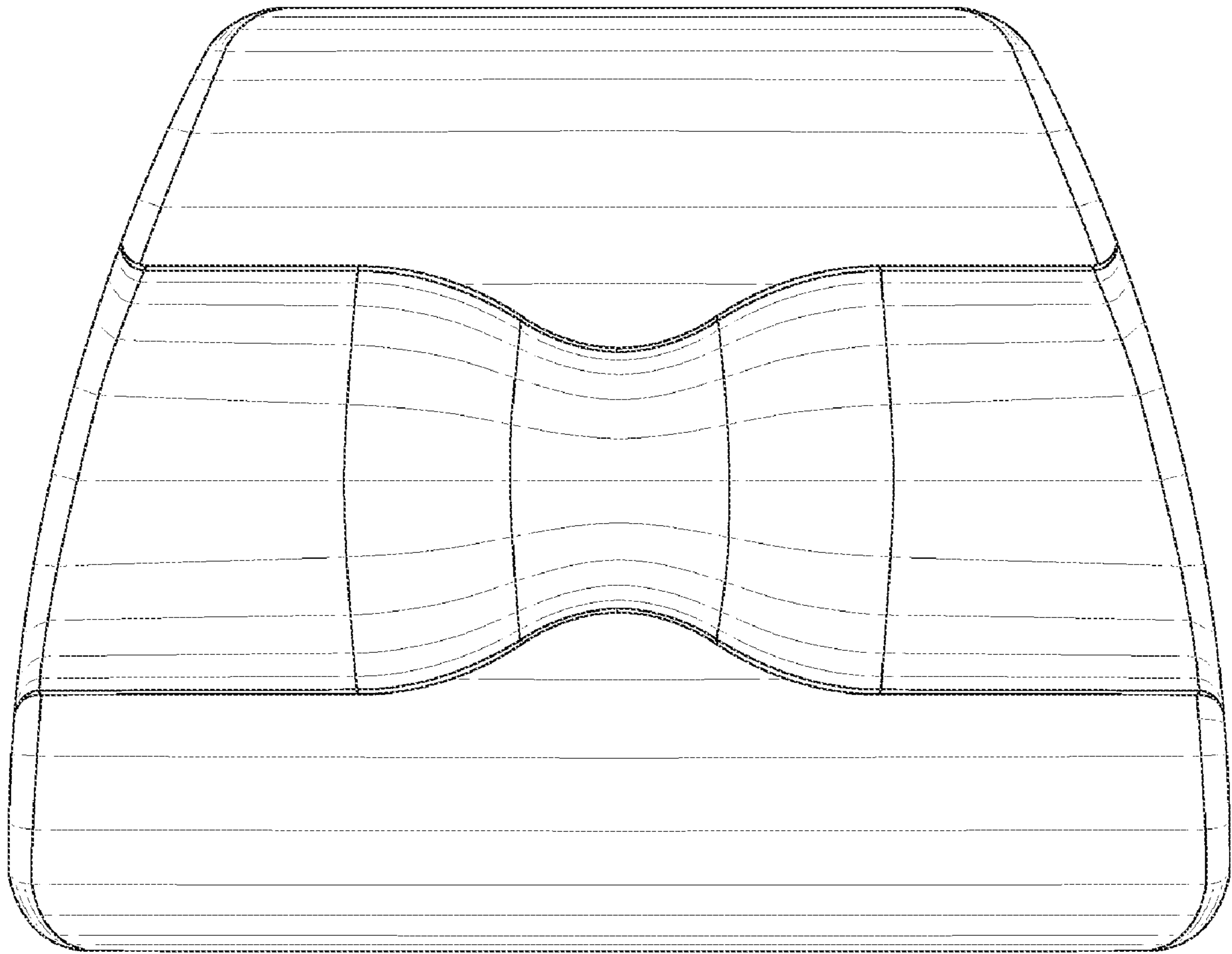


Figure 2

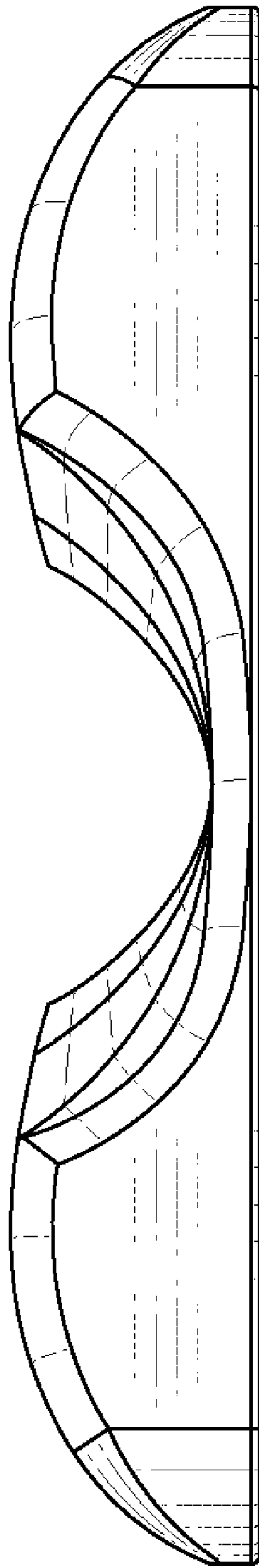


Figure 3

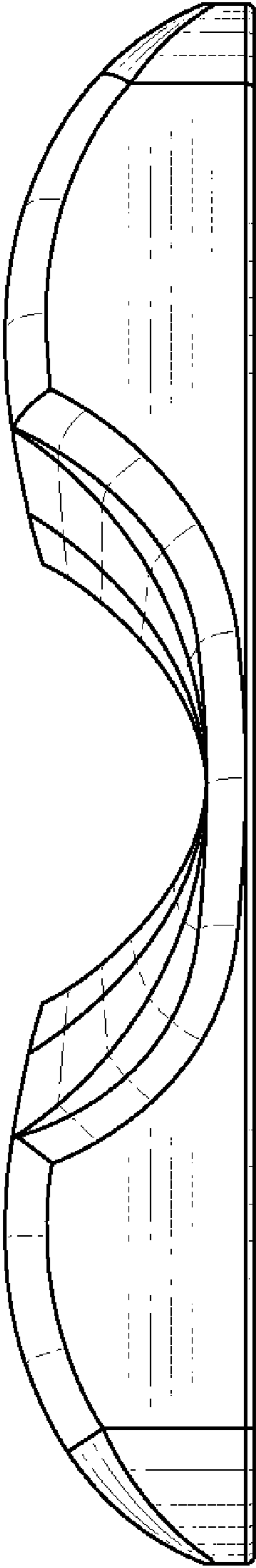


Figure 4

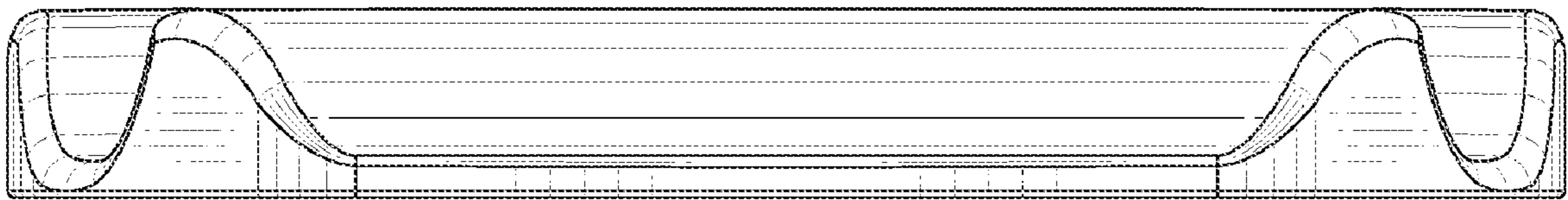


Figure 5

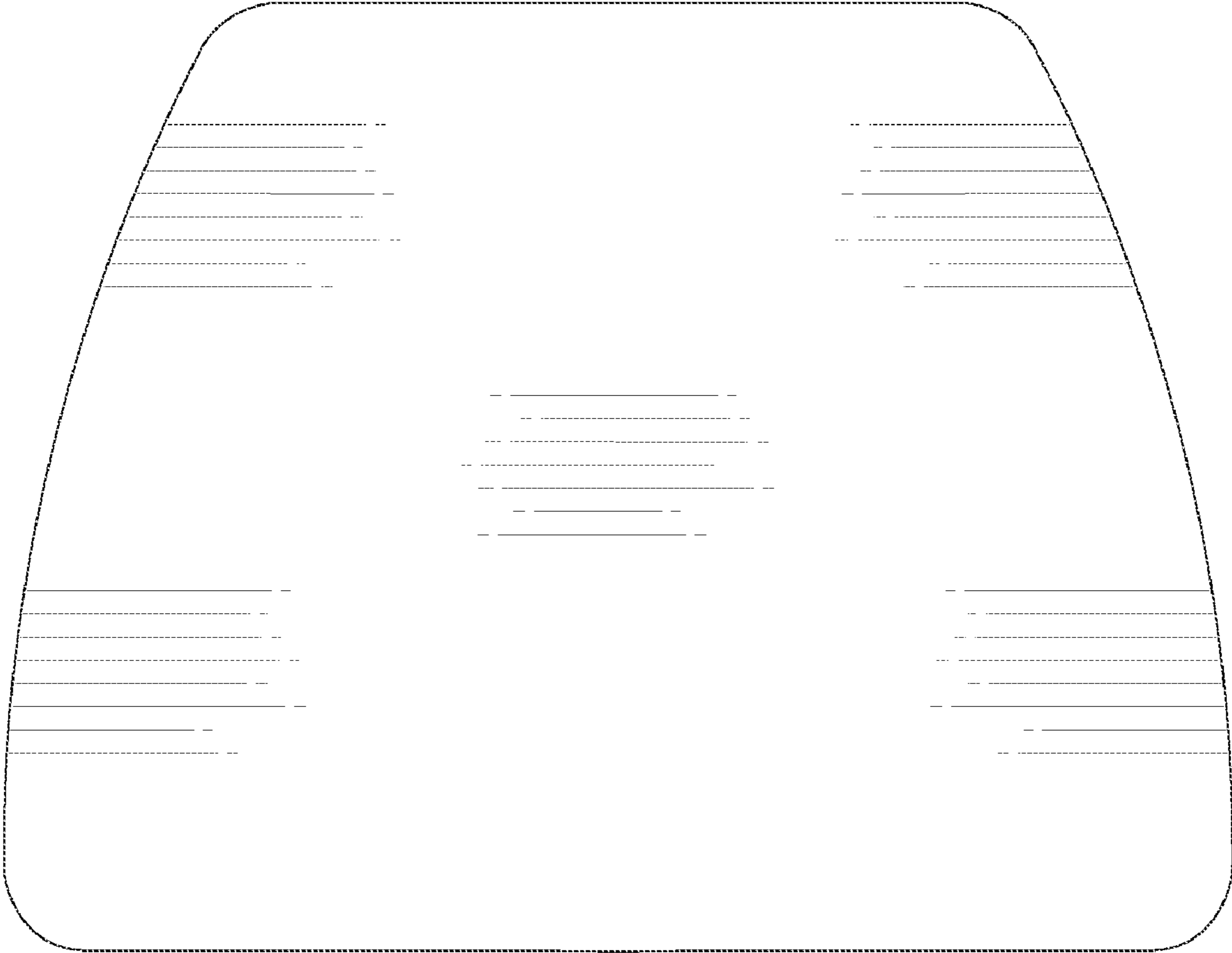


Figure 6