



US00D616233S

(12) **United States Design Patent**
Yang

(10) **Patent No.:** **US D616,233 S**

(45) **Date of Patent:** **** May 25, 2010**

(54) **KITCHEN ROLL PAPER TOWEL DISPENSER**

D571,135 S * 6/2008 Collado D6/518
D595,075 S * 6/2009 Ramos Peon D6/518

(76) Inventor: **Heng-Te Yang**, P.O. Box 90, Tainan City
70499 (TW)

* cited by examiner

(**) Term: **14 Years**

Primary Examiner—Brian N Vinson

(21) Appl. No.: **29/350,889**

(57) **CLAIM**

(22) Filed: **Nov. 25, 2009**

The ornamental design for a kitchen roll paper towel dispenser, as shown and described.

(51) **LOC (9) Cl.** **20-02**

DESCRIPTION

(52) **U.S. Cl.** **D6/518**

FIG. 1 is a perspective view of a kitchen roll paper towel dispenser showing my design;

(58) **Field of Classification Search** D6/515–523;

FIG. 2 is a front elevational view thereof;

206/225, 233, 389, 391; 211/13.1; 222/173,

FIG. 3 is a rear elevational view thereof;

222/180; 221/26, 33, 282–283; 242/270,

FIG. 4 is a left side elevational view thereof;

242/590; 248/309.1, 309.2, 905

FIG. 5 is a right side elevational view thereof;

See application file for complete search history.

FIG. 6 is a top plan view thereof;

(56) **References Cited**

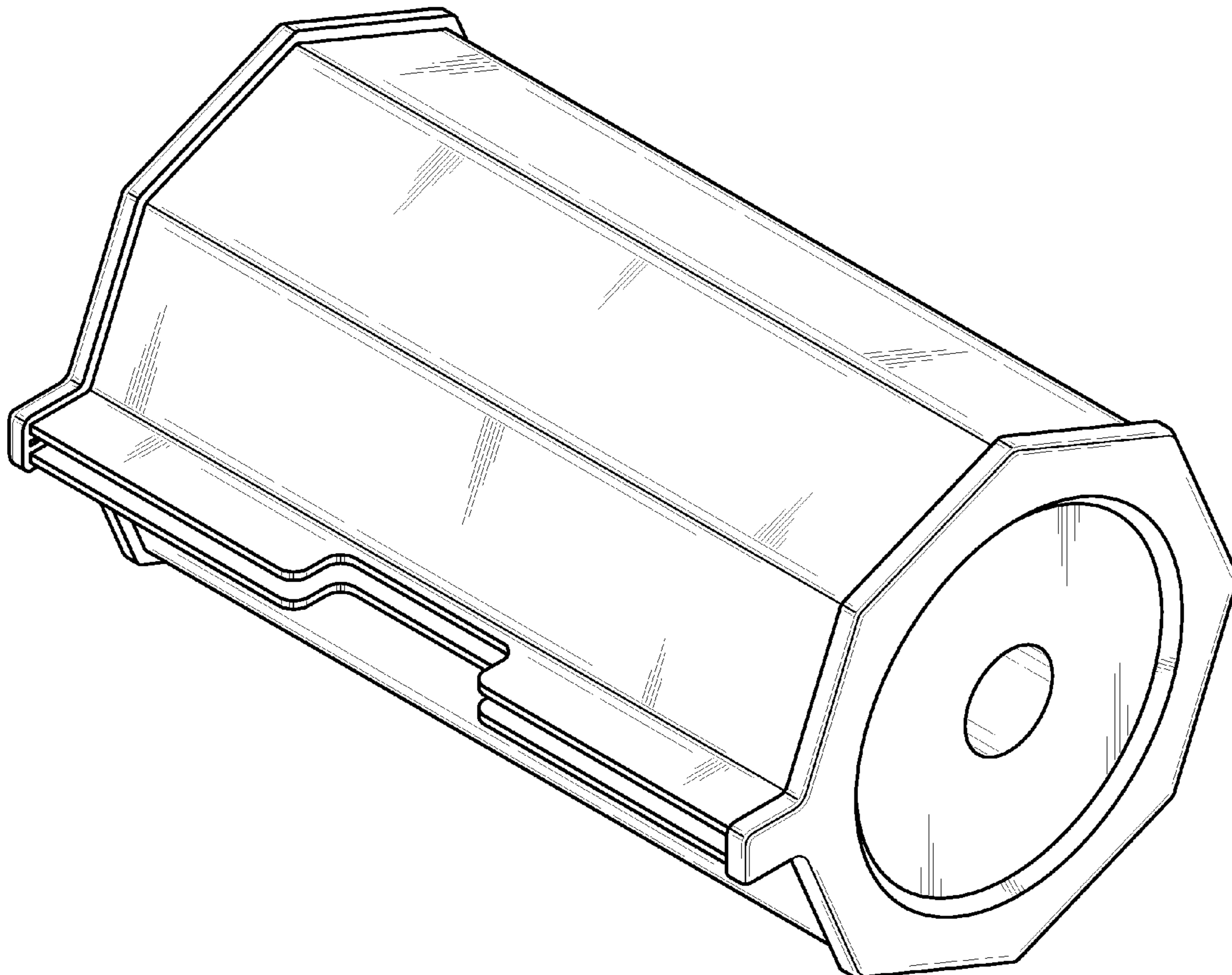
FIG. 7 is a bottom plan view thereof; and,

U.S. PATENT DOCUMENTS

FIG. 8 is an illustrative view thereof for use, the broken structure is for illustrative purposes only and forms no part of the claimed design.

1,833,999	A	*	12/1931	McCaskey	D6/518
2,253,744	A	*	8/1941	Witt	D6/518
D185,052	S	*	4/1959	Warp	D6/518
D480,901	S	*	10/2003	Millington	D6/518
D522,782	S	*	6/2006	Benedetti et al.	D6/518
D569,667	S	*	5/2008	Ovelar	D6/518

1 Claim, 8 Drawing Sheets



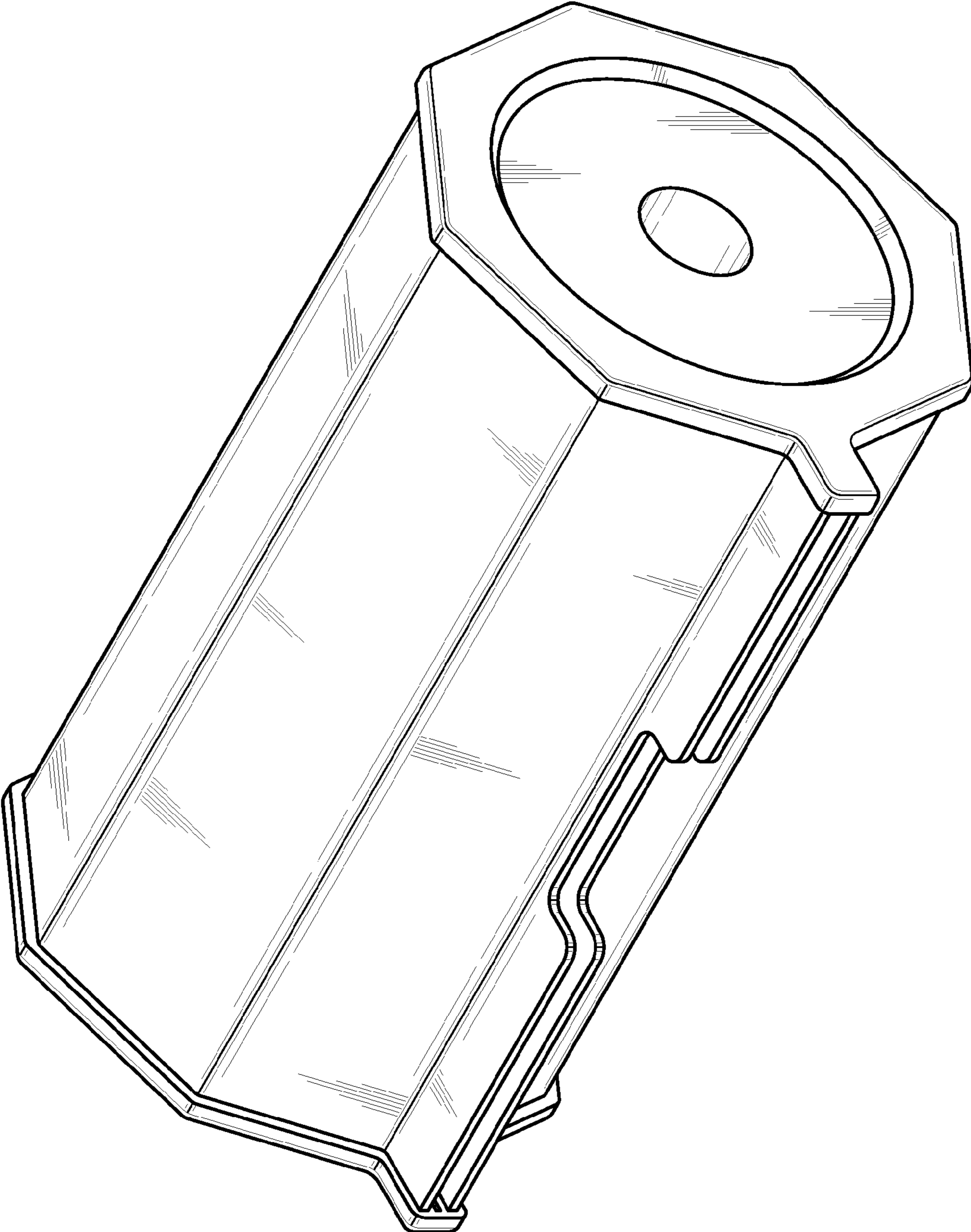


FIG. 1

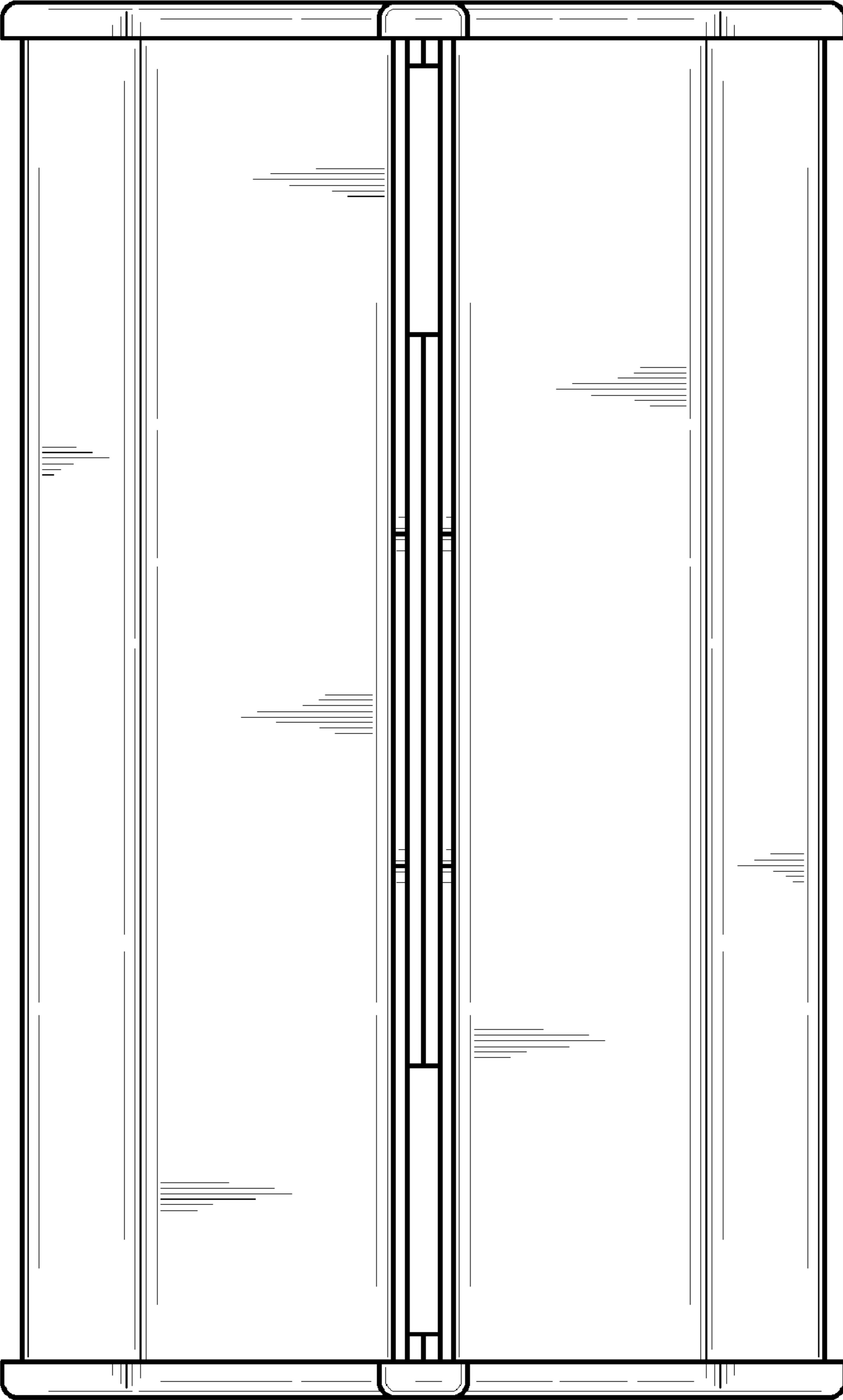


FIG. 2

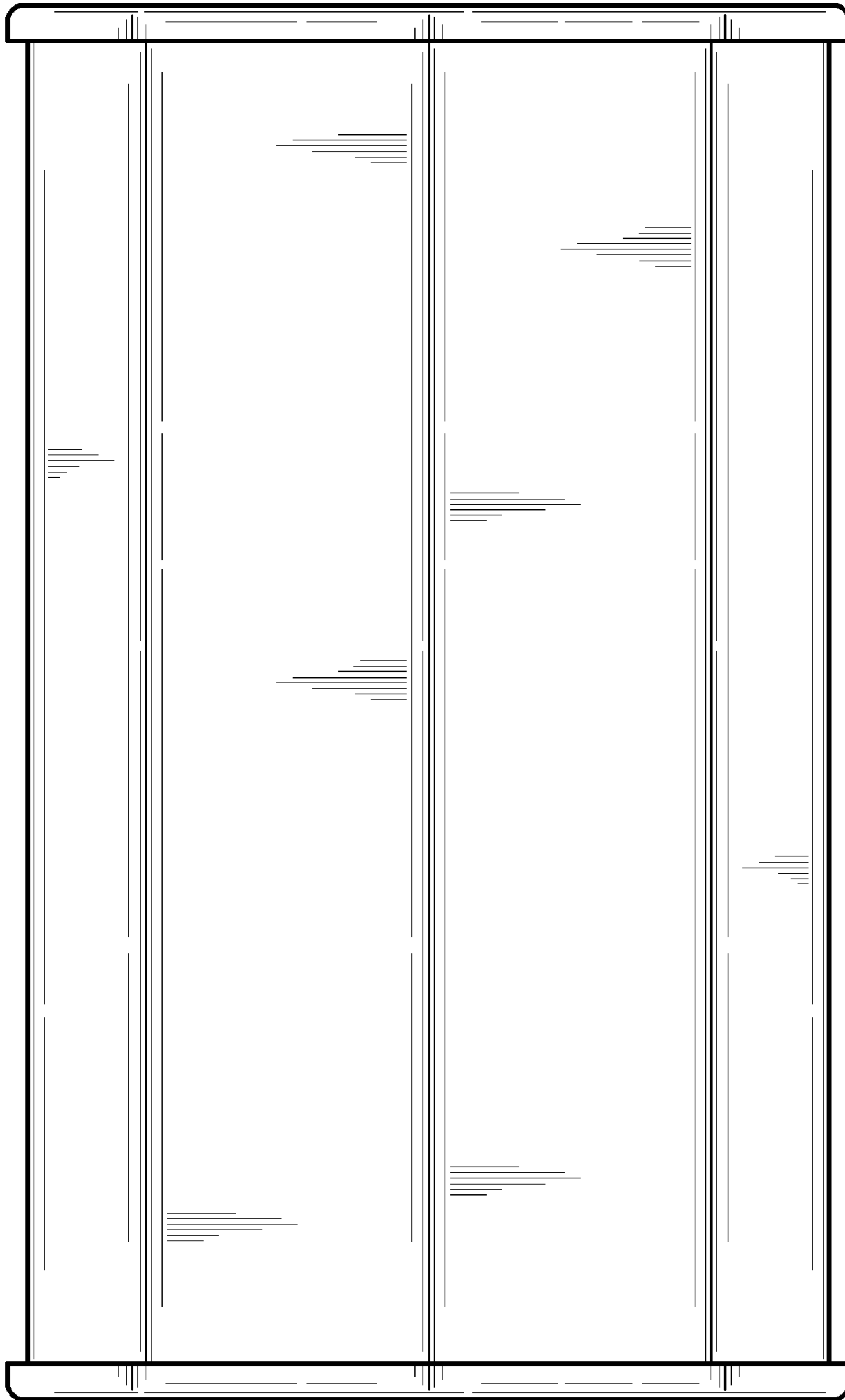


FIG. 3

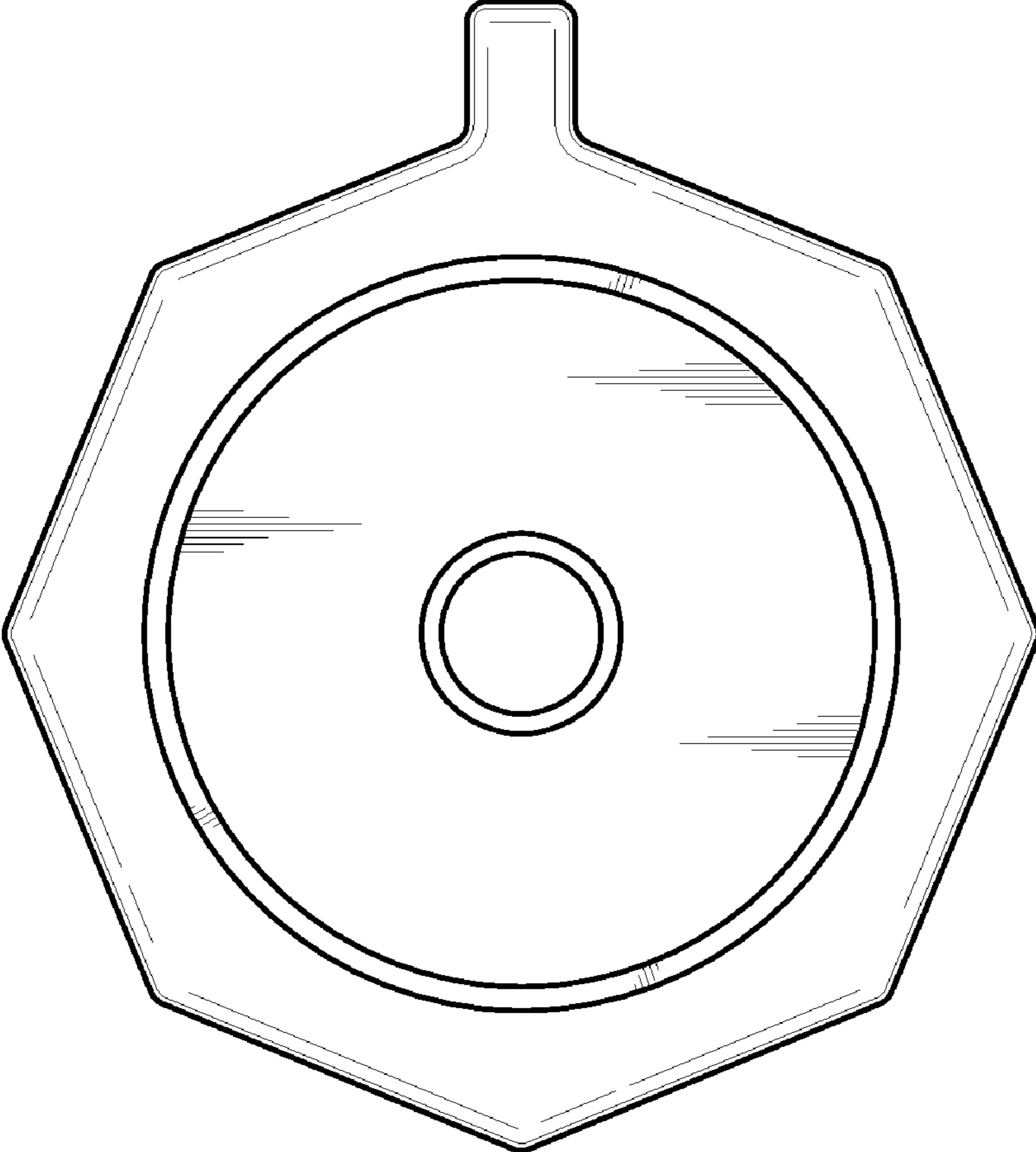


FIG.4

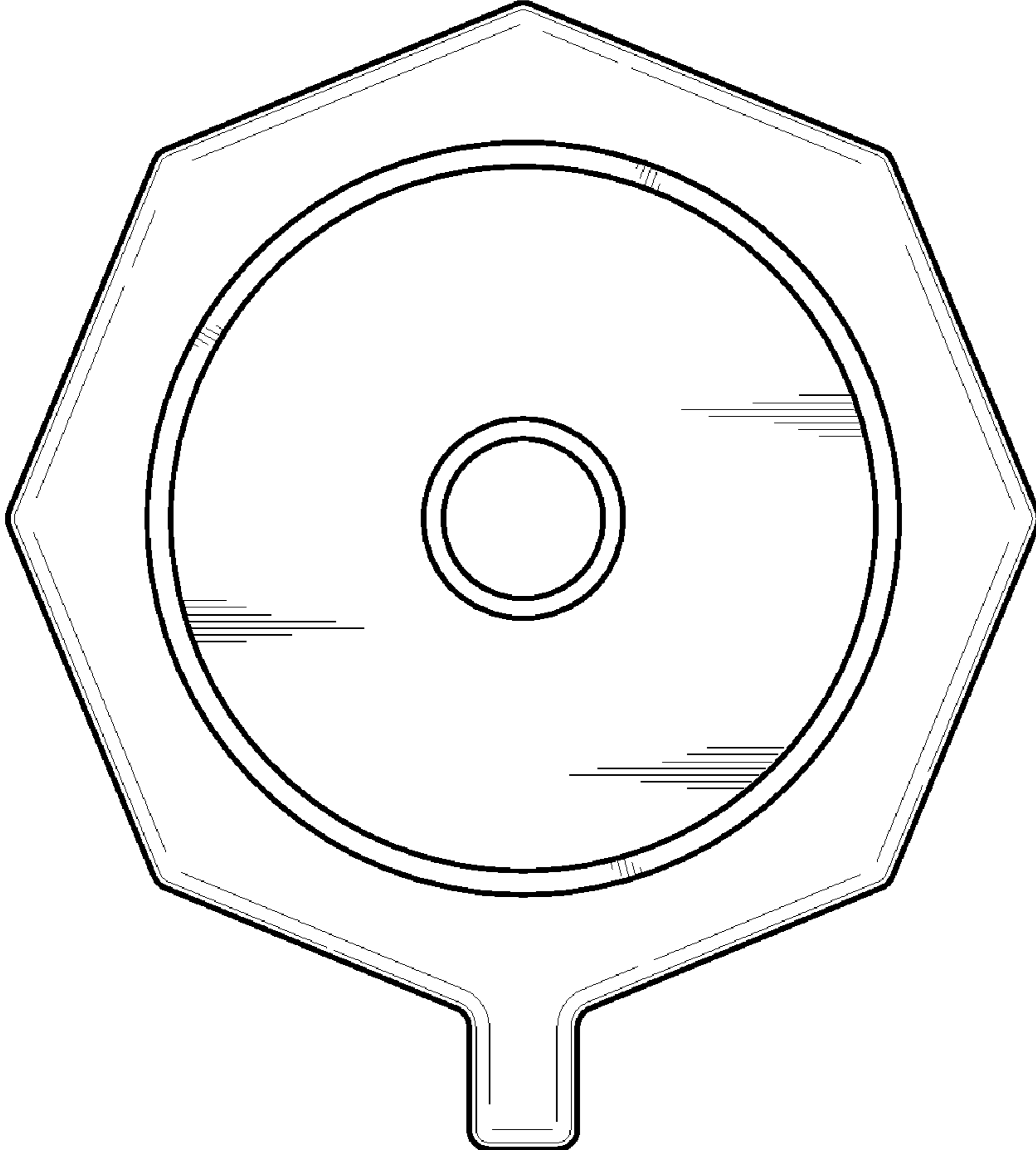


FIG. 5

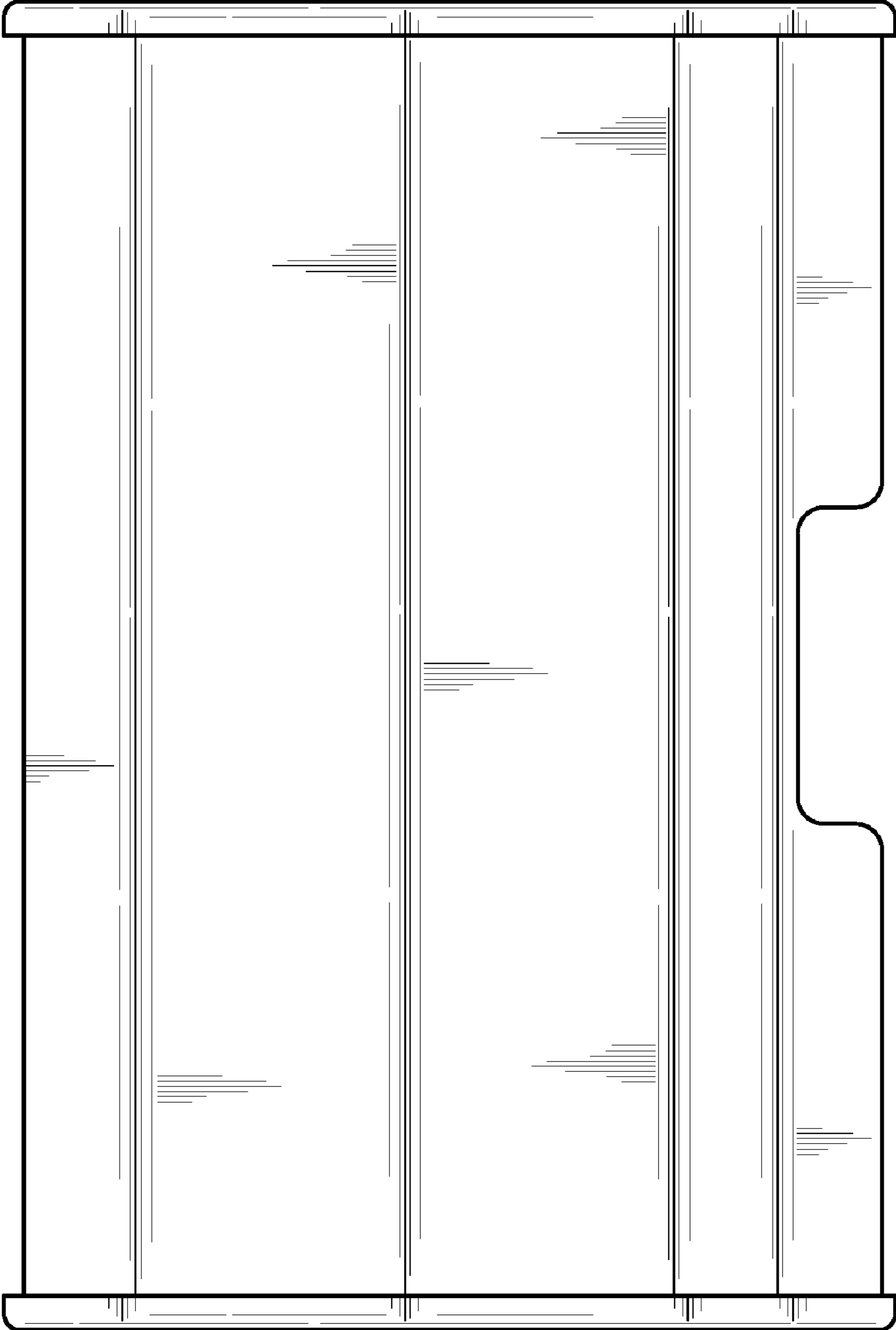


FIG. 6

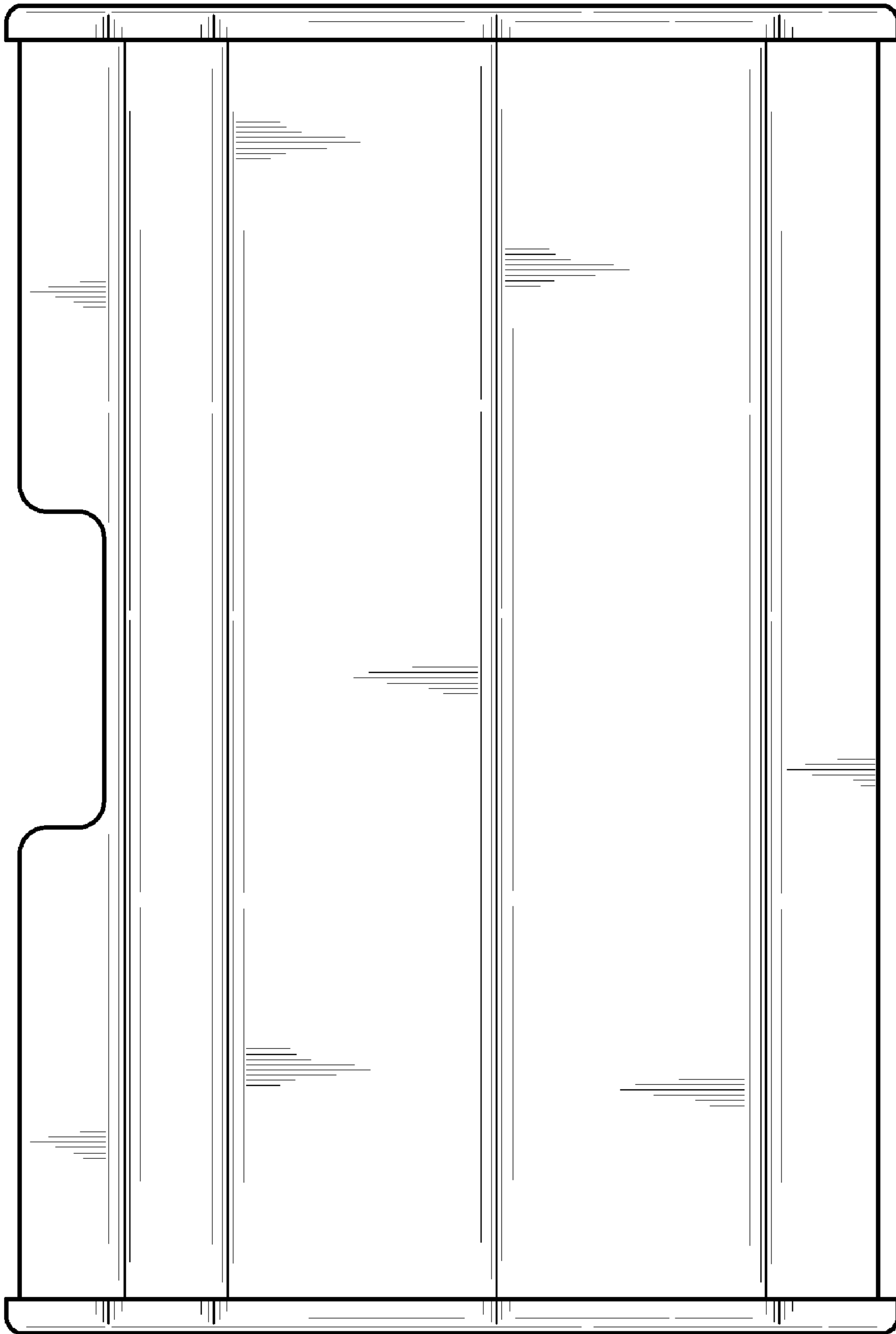


FIG. 7

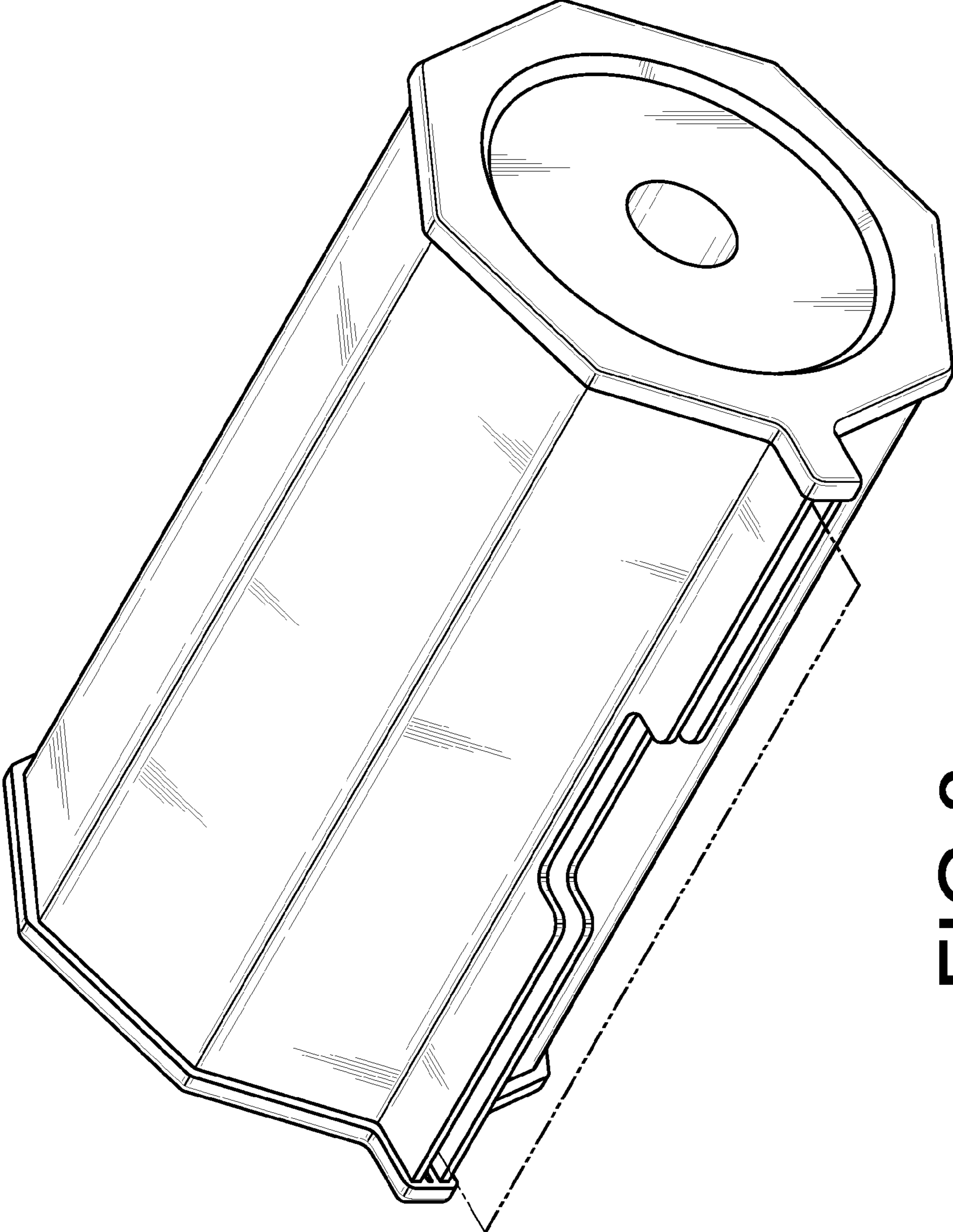


FIG. 8