



US00D616232S

(12) **United States Design Patent**
Guindi

(10) **Patent No.:** **US D616,232 S**

(45) **Date of Patent:** **** May 25, 2010**

(54) **DOOR HOOK ASSEMBLY**

D568,652 S * 5/2008 Goodman et al. D6/514

(75) Inventor: **Henry V. Guindi**, Brooklyn, NY (US)

* cited by examiner

(73) Assignee: **HDS Trading Corp.**, North Brunswick, NJ (US)

Primary Examiner—Brian N Vinson
(74) *Attorney, Agent, or Firm*—Rankin, Hill & Clark LLP

(**) Term: **14 Years**

(57) **CLAIM**

(21) Appl. No.: **29/340,553**

The ornamental design for a door hook assembly, as shown and described.

(22) Filed: **Jul. 21, 2009**

DESCRIPTION

(51) **LOC (9) Cl.** **06-06**

(52) **U.S. Cl.** **D6/514; D6/566**

(58) **Field of Classification Search** D6/512–514, D6/566, 553, 567, 569, 315, 320, 327; D8/349, D8/354, 367, 372; 248/301–304, 309.1, 248/309.2; 211/13.1, 30, 32, 70.6, 56.01, 211/87.01, 181.1

FIG. 1 is a front left perspective view of a door hook assembly.

FIG. 2 is a front elevational view of the door hook assembly of FIG. 1.

FIG. 3 is a left side view of the door hook assembly of FIG. 1.

FIG. 4 is a rear elevational view of the door hook assembly of FIG. 1.

FIG. 5 is a top plan view of the door hook assembly of FIG. 1; and,

FIG. 6 is a bottom plan view of the door hook assembly of FIG. 1.

See application file for complete search history.

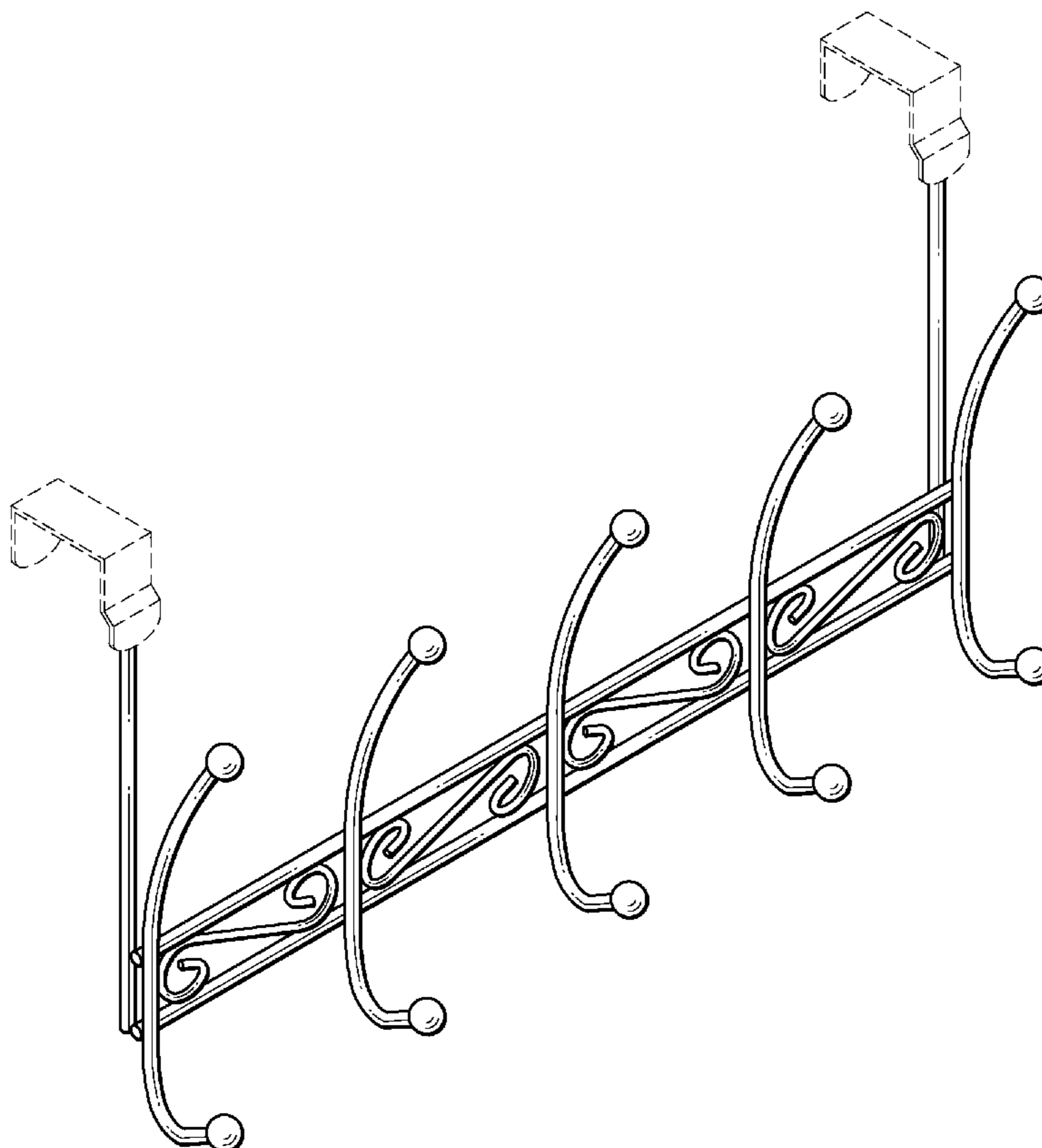
The dash lines in FIGS. 1–6 are for illustrative purposes only showing environmental subject matter and form no part of the claimed designs.

(56) **References Cited**

U.S. PATENT DOCUMENTS

- D421,355 S * 3/2000 Goodman et al. D6/513
- D466,396 S * 12/2002 Snell D8/372
- D470,394 S * 2/2003 Harwanko D8/372
- D565,882 S * 4/2008 Goodman et al. D6/566
- D568,650 S * 5/2008 Goodman et al. D6/514
- D568,651 S * 5/2008 Goodman et al. D6/514

1 Claim, 5 Drawing Sheets



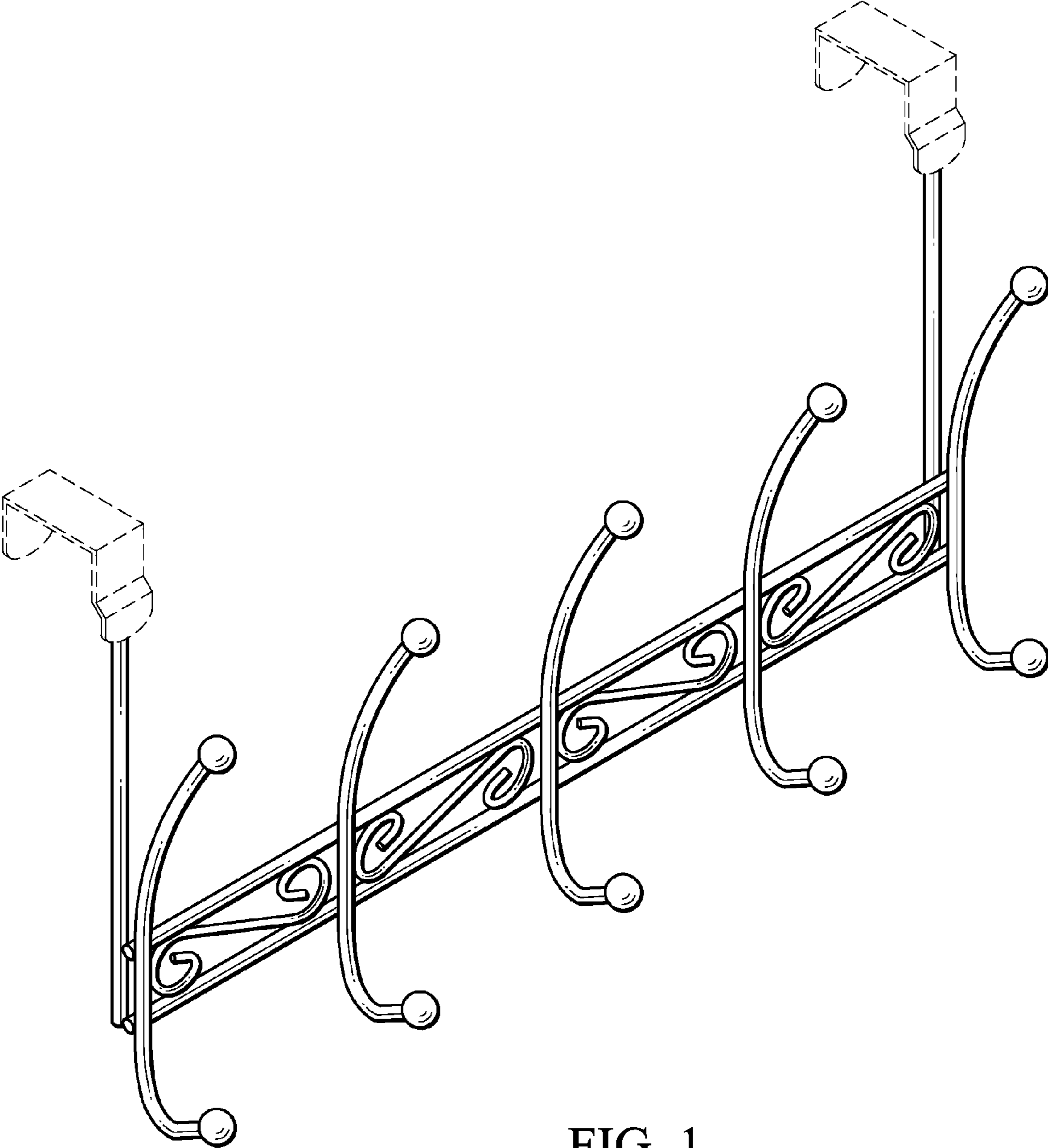


FIG. 1

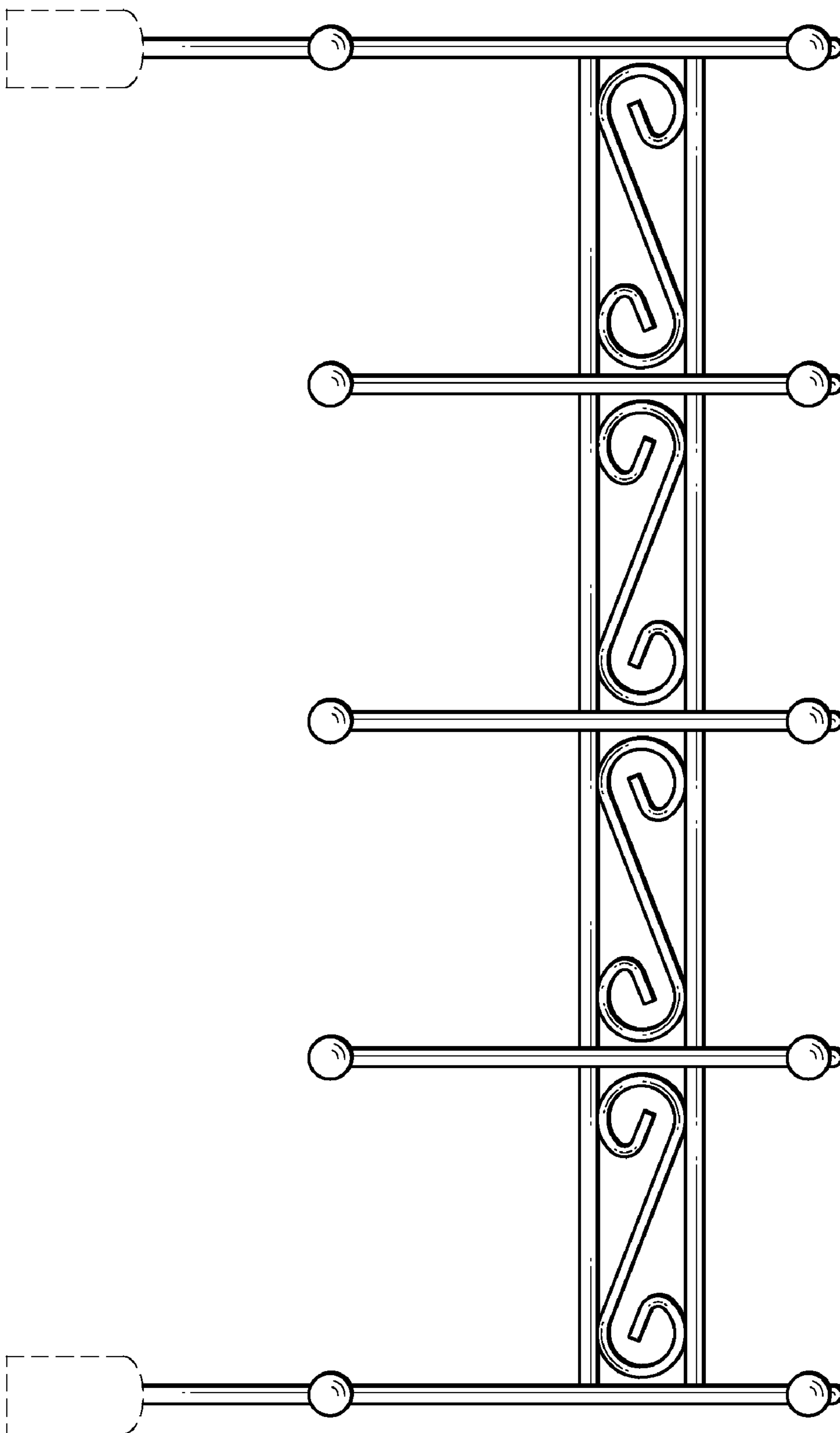


FIG. 2

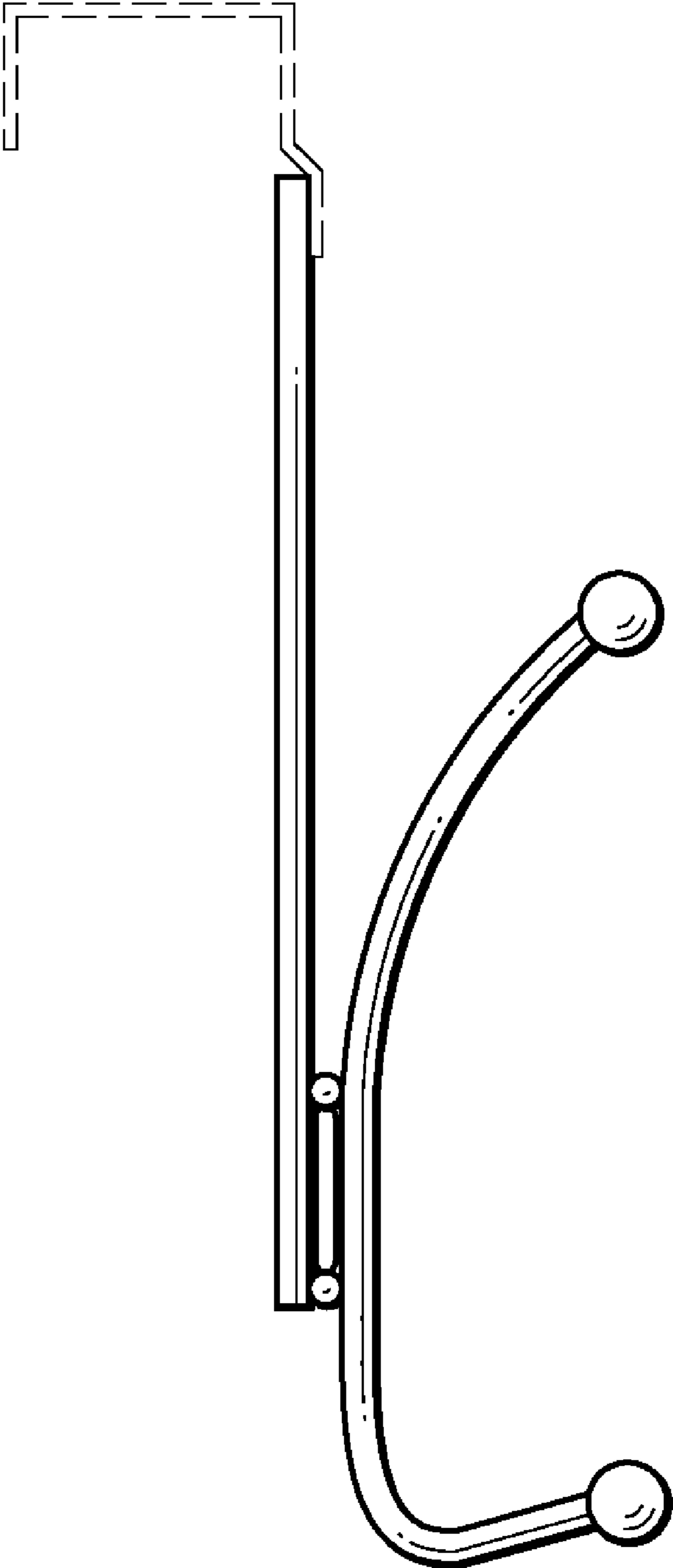


FIG. 3

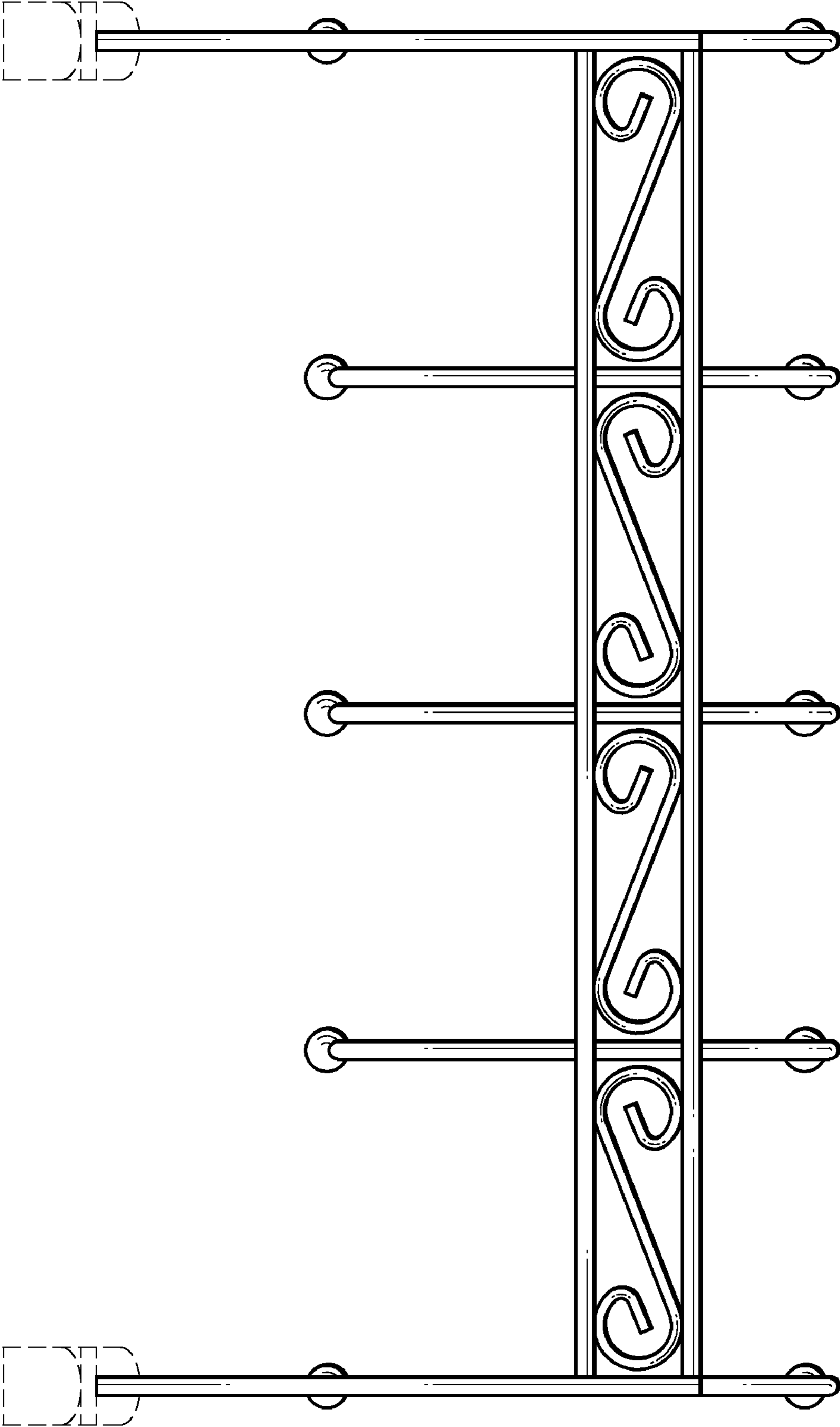


FIG. 4

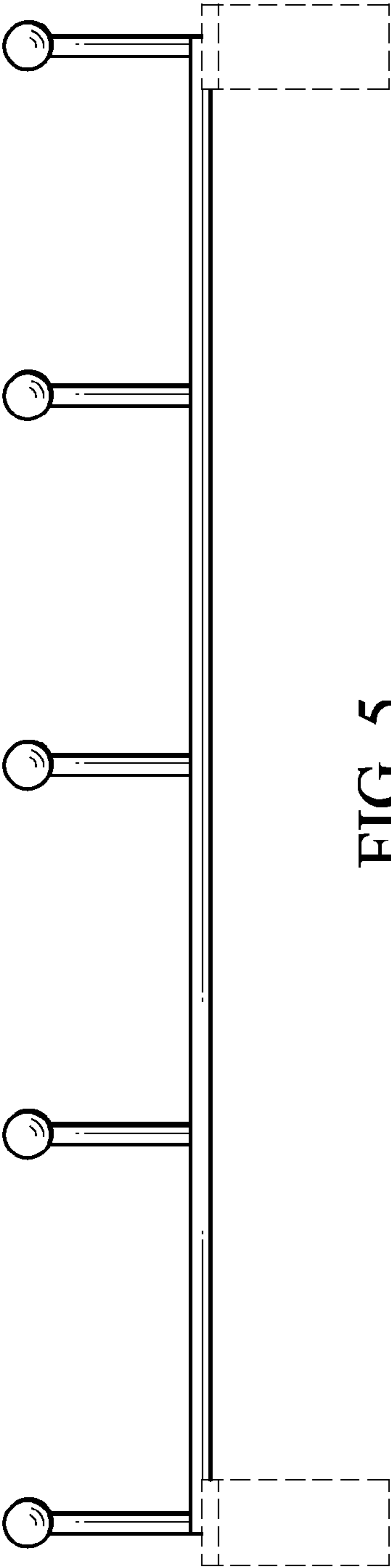


FIG. 5

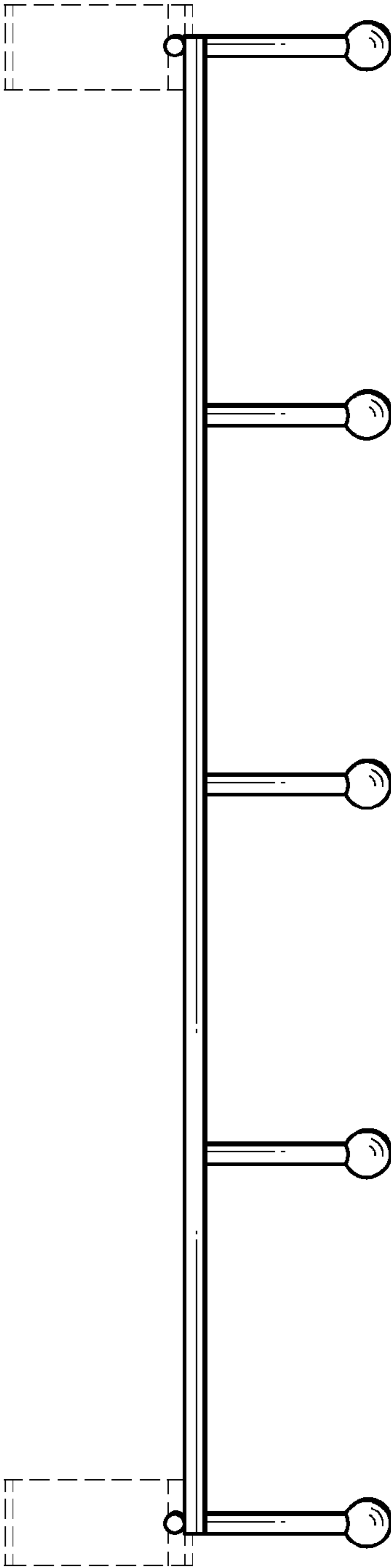


FIG. 6