



US00D616231S

(12) **United States Design Patent**
Troutman et al.

(10) **Patent No.:** **US D616,231 S**

(45) **Date of Patent:** **** *May 25, 2010**

(54) **EXPOSED LEGS FOR A PLAY YARD**

1,975,332 A 10/1934 Rehkoff
2,015,280 A 9/1935 Buichi
2,287,907 A 6/1942 Schettler, Jr.

(75) Inventors: **Damon Oliver Casati Troutman**, Lake Forest, IL (US); **Edward B. Bretschger**, Hinsdale, IL (US)

(Continued)

(73) Assignee: **Kolcraft Enterprises, Inc.**, Chicago, IL (US)

OTHER PUBLICATIONS

(*) Notice: This patent is subject to a terminal disclaimer.

Decision on Appeal, issued by the United States Patent and Trademark Office on Sep. 25, 2009, in connection with U.S. Appl. No. 29/244,885, 12 pages.

(Continued)

(**) Term: **14 Years**

Primary Examiner—Janice E Seeger

(21) Appl. No.: **29/339,831**

(74) *Attorney, Agent, or Firm*—Hanley, Flight & Zimmerman, LLC

(22) Filed: **Jul. 8, 2009**

(57) **CLAIM**

Related U.S. Application Data

The ornamental design for the exposed legs for a play yard, as shown and described.

(63) Continuation of application No. 29/244,885, filed on Dec. 15, 2005, which is a continuation of application No. 29/216,591, filed on Nov. 5, 2004, now Pat. No. Des. 534,381.

DESCRIPTION

(51) **LOC (9) Cl.** **06-06**

FIG. 1 is a perspective view of a playyard with exposed legs.

(52) **U.S. Cl.** **D6/503**

FIG. 2 is a front view of the playyard of FIG. 1 showing our claimed design.

(58) **Field of Classification Search** D6/390, D6/391, 331, 333, 508, 383, 384, 504, 495; 5/93.1, 93.2, 99.1, 101, 97, 98.1, 655
See application file for complete search history.

FIG. 3 is a rear view of the playyard of FIG. 1 showing our claimed design.

FIG. 4 is a right side view of the playyard of FIG. 1; and,

FIG. 5 is a left side view of the playyard of FIG. 1.

(56) **References Cited**

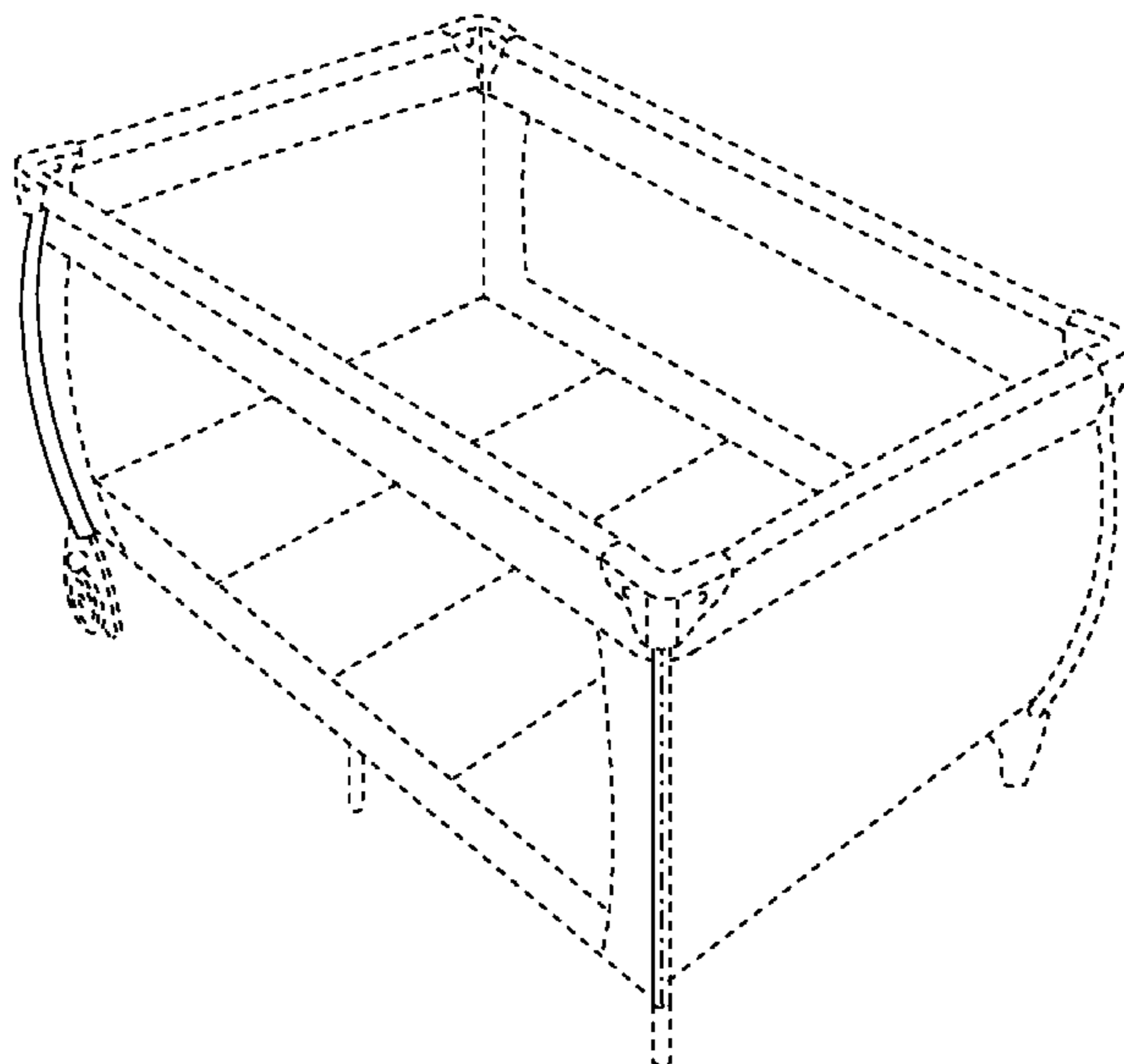
There is no fabric covering the exposed legs shown in any of FIGS. 1–5.

U.S. PATENT DOCUMENTS

The features shown in broken lines consisting of only dashes in FIGS. 1–5 are for illustrative purposes only and do not form part of the claimed design. The broken line consisting of dashes and dots in FIG. 1 is a boundary line that shows that the claimed design extends to the boundary line.

607,096 A 7/1898 Thacher
1,187,845 A 6/1916 Kolb
1,407,681 A 2/1922 Saunders
1,839,580 A 5/1926 Myron
1,695,571 A 12/1928 Baxter
1,753,875 A 4/1930 Baumann

1 Claim, 3 Drawing Sheets



US D616,231 S

Page 2

U.S. PATENT DOCUMENTS

2,415,186 A 2/1947 Moore
 2,590,315 A 12/1948 Hawley, Jr.
 D158,030 S 4/1950 Wagner
 2,617,999 A 11/1952 Mitchell
 2,784,420 A 10/1953 Moltane
 2,698,443 A 1/1955 Ralick
 D181,893 S 1/1956 Bargaen
 2,790,184 A 4/1957 Testa
 2,873,458 A 2/1959 Adamson
 3,018,493 A 1/1962 Wittbrodt
 RE25,195 E 7/1962 Hamilton
 3,064,277 A 11/1962 Gill
 3,092,847 A 6/1963 Puy
 3,095,583 A 7/1963 Golub et al.
 3,103,670 A 9/1963 Landry
 3,120,368 A 2/1964 Crisp
 3,158,876 A 12/1964 Gottlieb
 3,162,865 A 12/1964 Tigrett
 3,183,528 A 5/1965 Jacobs et al.
 3,187,352 A 6/1965 Gottfried
 3,233,254 A 2/1966 Golub et al.
 3,289,986 A 12/1966 Martin
 3,546,721 A 5/1968 Clearly
 3,706,105 A 12/1972 Nicholson
 3,837,019 A 9/1974 Hoff
 3,875,623 A 4/1975 Johnston
 4,008,497 A 2/1977 Badon
 D244,890 S 7/1977 Adams
 4,376,318 A 3/1983 Cirillo
 4,561,138 A 12/1985 Hwang
 4,900,011 A 2/1990 Nolet
 5,042,769 A 8/1991 Smed
 5,197,154 A 3/1993 Shamie
 5,211,498 A 5/1993 Huang
 5,239,714 A 8/1993 Huang
 D339,922 S 10/1993 Williams
 D340,598 S 10/1993 Castiglioni et al.
 5,274,863 A 1/1994 Fountain
 5,279,006 A 1/1994 Teng
 5,307,531 A 5/1994 Kao
 5,339,470 A 8/1994 Shamie
 5,349,709 A 9/1994 Cheng
 5,367,725 A 11/1994 Tsai
 5,381,570 A 1/1995 Cheng
 5,504,951 A 4/1996 Yeh
 5,513,399 A 5/1996 Weng
 5,533,715 A 7/1996 Dandrea
 5,553,336 A 9/1996 Mariol
 5,560,055 A 10/1996 Ziegler
 D375,217 S 11/1996 Rehmert
 5,581,827 A 12/1996 Fong et al.
 5,615,427 A 4/1997 Huang
 D382,718 S 8/1997 Mariol
 5,758,868 A 6/1998 Shea
 5,761,755 A 6/1998 Huang
 5,778,465 A 7/1998 Myers
 D397,882 S 9/1998 Wu
 5,826,285 A 10/1998 Mariol et al.
 5,867,850 A 2/1999 Mariol
 5,867,851 A 2/1999 Mariol et al.
 D409,411 S 5/1999 Mariol et al.
 D411,386 S 6/1999 Horn
 D413,025 S 8/1999 Mariol et al.
 5,991,944 A 11/1999 Yang
 6,041,455 A 3/2000 Raffo et al.
 6,173,462 B1 1/2001 Huang
 6,192,535 B1 2/2001 Warner et al.
 6,233,759 B1 5/2001 Warner
 6,256,814 B1 7/2001 Drobinski
 D448,218 S 9/2001 Celestina-Krevh
 6,332,231 B1 12/2001 Wang

6,385,800 B1 5/2002 Chen et al.
 D461,645 S 8/2002 Hartenstine et al.
 6,434,767 B1 8/2002 Welsh, Jr.
 6,543,070 B2 4/2003 Longenecker et al.
 6,615,424 B1 9/2003 Cheng
 6,665,895 B1 12/2003 St. Pierre et al.
 6,721,971 B1 4/2004 Cheng
 D494,393 S 8/2004 Chen
 D500,213 S 12/2004 DeHart et al.
 6,859,957 B1 3/2005 Chen
 6,895,611 B2 5/2005 Tharalson et al.
 6,948,197 B1 9/2005 Chen
 6,954,949 B1 10/2005 Chen
 6,959,462 B2 11/2005 Chen
 7,003,382 B2 2/2006 Honda
 7,003,821 B2 2/2006 De Hart et al.
 7,020,914 B2 4/2006 Miyakawa
 7,043,779 B2 5/2006 Mendenhall et al.
 D534,381 S 1/2007 Troutman et al.
 D537,277 S 2/2007 Chen
 2003/0177575 A1 9/2003 Cheng et al.
 2004/0261174 A1 12/2004 DeHart et al.
 2005/0144716 A1 7/2005 Chen
 2005/0144717 A1 7/2005 Chen
 2005/0144718 A1 7/2005 Miyakawa
 2005/0229308 A1 10/2005 Chen
 2006/0037137 A1 2/2006 Song
 2006/0225207 A1 10/2006 Johnson

OTHER PUBLICATIONS

“Notice of Allowance and Fee(s) Due,” issued by the United States Patent and Trademark Office on Oct. 5, 2009, in connection with U.S. Appl. No. 29/244,885, p. 6.
 Office Action, issued by the United States Patent and Trademark Office on Dec. 19, 2006, in connection with U.S. Appl. No. 11/101,822, 6 pages.
 Office Action, issued by the United States Patent and Trademark Office on Apr. 9, 2007, in connection with U.S. Appl. No. 11/101,822, 5 pages.
 Office Action, issued by the United States Patent and Trademark Office on Nov. 2, 2007, in connection with U.S. Appl. No. 11/101,822, 7 pages.
 Notice of Allowance and Fee(s) Due, issued by the United States Patent and Trademark Office on Jul. 31, 2008, in connection with U.S. Appl. No. 11/101,822, 4 pages.
 Office Action, issued by the United States Patent and Trademark Office on Aug. 21, 2006, in connection with U.S. Appl. No. 11/063,811, 19 pages.
 Office Action, issued by the United States Patent and Trademark Office on Jun. 5, 2007, in connection with U.S. Appl. No. 11/063,811, 13 pages.
 Office Action, issued by the United States Patent and Trademark Office on Mar. 5, 2008, in connection with U.S. Application No. 11/063,811, 16 pages.
 Office Action, issued by the United States Patent and Trademark Office on Oct. 30, 2008, in connection with U.S. Appl. No. 11/063,811, 13 pages.
 Notice of Allowance and Fee(s) Due, issued by the United States Patent and Trademark Office on Apr. 16, 2009, in connection with U.S. Application No. 11/063,811, 7 pages.
 Office Action, issued by the United States Patent and Trademark Office on Dec. 29, 2006, in connection with U.S. Application No. 11/101,821, 5 pages.
 Office Action, issued by the United States Patent and Trademark Office on May 22, 2007, in connection with U.S. Application No. 11/101,821, 13 pages.
 Office Action, issued by the United States Patent and Trademark Office on Jan. 23, 2008, in connection with U.S. Appl. No. 11/101,821, 16 pages.
 Office Action, issued by the United States Patent and Trademark Office on Feb. 4, 2008, in connection with U.S. Application No. 11/101,821, 16 pages.

US D616,231 S

Page 3

Office Action, issued by the United States Patent and Trademark Office on Nov. 23, 2005, in connection with U.S. Appl. No. 29/216,626, 6 pages.

Office Action, issued by the United States Patent and Trademark Office on Apr. 21, 2006, in connection with U.S. Appl. No. 29/216,626, 7 pages.

Office Action, issued by the United States Patent and Trademark Office on Nov. 14, 2005, in connection with U.S. Appl. No. 29/216,576, 4 pages.

Notice of Allowance and Fee(s) Due, issued by the United States Patent and Trademark Office on Feb. 2, 2006, in connection with U.S. Appl. No. 29/216,576, 6 pages.

Notice of Allowance and Fee(s) Due, issued by the United States Patent and Trademark Office on Dec. 28, 2007, in connection with U.S. Appl. No. 29/216,576, 13 pages.

Notice of Allowance and Fee(s) Due, issued by the United States Patent and Trademark Office on Mar. 1, 2006, in connection with U.S. Appl. No. 29/244,887, 5 pages.

Notice of Allowance and Fee(s) Due, issued by the United States Patent and Trademark Office on Sep. 26, 2007, in connection with U.S. Appl. No. 29/244,887, 5 pages.

Supplemental Notice of Allowance and Fee(s) Due, issued by the United States Patent and Trademark Office on Oct. 19, 2007, in connection with U.S. Appl. No. 29/244,887, 2 pages.

Office Action, issued by the United States Patent and Trademark Office on Nov. 14, 2005, in connection with U.S. Appl. No. 29/216,591, 4 pages.

Office Action, issued by the United States Patent and Trademark Office on Jan. 30, 2006, in connection with U.S. Appl. No. 29/216,591, 4 pages.

Notice of Allowance and Fee(s) Due, issued by the United States Patent and Trademark Office on Aug. 22, 2006, in connection with U.S. Appl. No. 29/216,591, 5 pages.

Office Action, issued by the United States Patent and Trademark Office on Mar. 2, 2006, in connection with U.S. Appl. No. 29/244,886, 7 pages.

Office Action, issued by the United States Patent and Trademark Office on Jun. 27, 2006, in connection with U.S. Appl. No. 29/244,886, 5 pages.

Office Action, issued by the United States Patent and Trademark Office on Jan. 26, 2007, in connection with U.S. Appl. No. 29/244,886, 5 pages.

Office Action, issued by the United States Patent and Trademark Office on Nov. 20, 2007, in connection with U.S. Appl. No. 29/244,886, 5 pages.

Notice of Allowance and Fee(s) Due, issued by the United States Patent and Trademark Office on Apr. 11, 2008, in connection with U.S. Appl. No. 29/244,886, 5 pages.

Supplemental Notice of Allowance and Fee(s) Due, issued by the United States Patent and Trademark Office on Apr. 24, 2008, in connection with U.S. Appl. No. 29/244,886, 2 pages.

Office Action, issued by the United States Patent and Trademark Office on Mar. 2, 2006, in connection with U.S. Appl. No. 29/244,885, 5 pages.

Office Action, issued by the United States Patent and Trademark Office on Jun. 28, 2006, in connection with U.S. Appl. No. 29/244,885, 5 pages.

Office Action, issued by the United States Patent and Trademark Office on Jan. 26, 2007, in connection with U.S. Appl. No. 29/244,885, 7 pages.

Examiner's Answer, issued by the United States Patent and Trademark Office on Nov. 20, 2007, in connection with U.S. Appl. No. 29/244,885, 10 pages.

Century Products Co. Instruction Manual, "Fold-n-Go Care Center," 12 pages.

Fig. 1

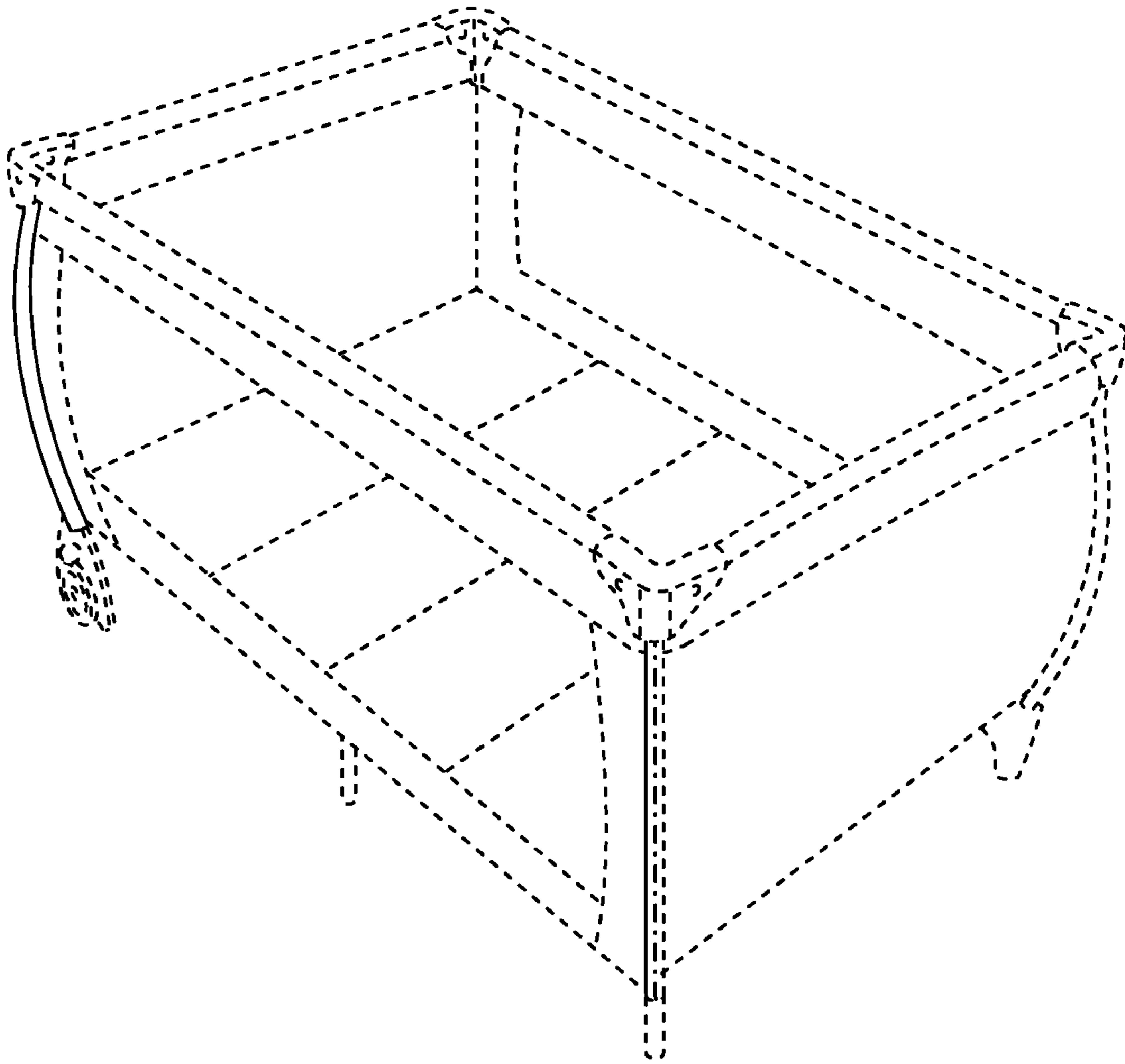


Fig. 2

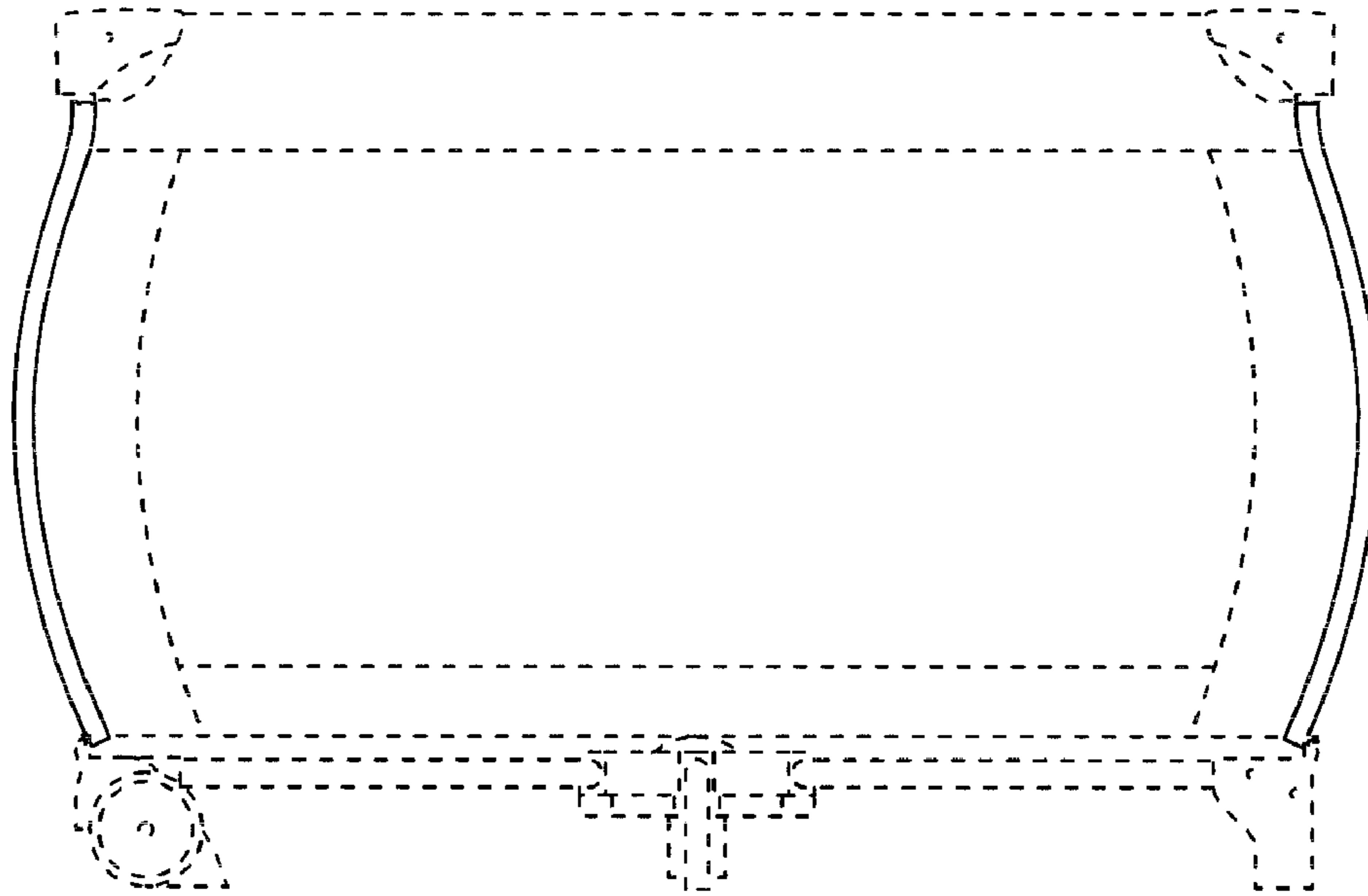


Fig. 3

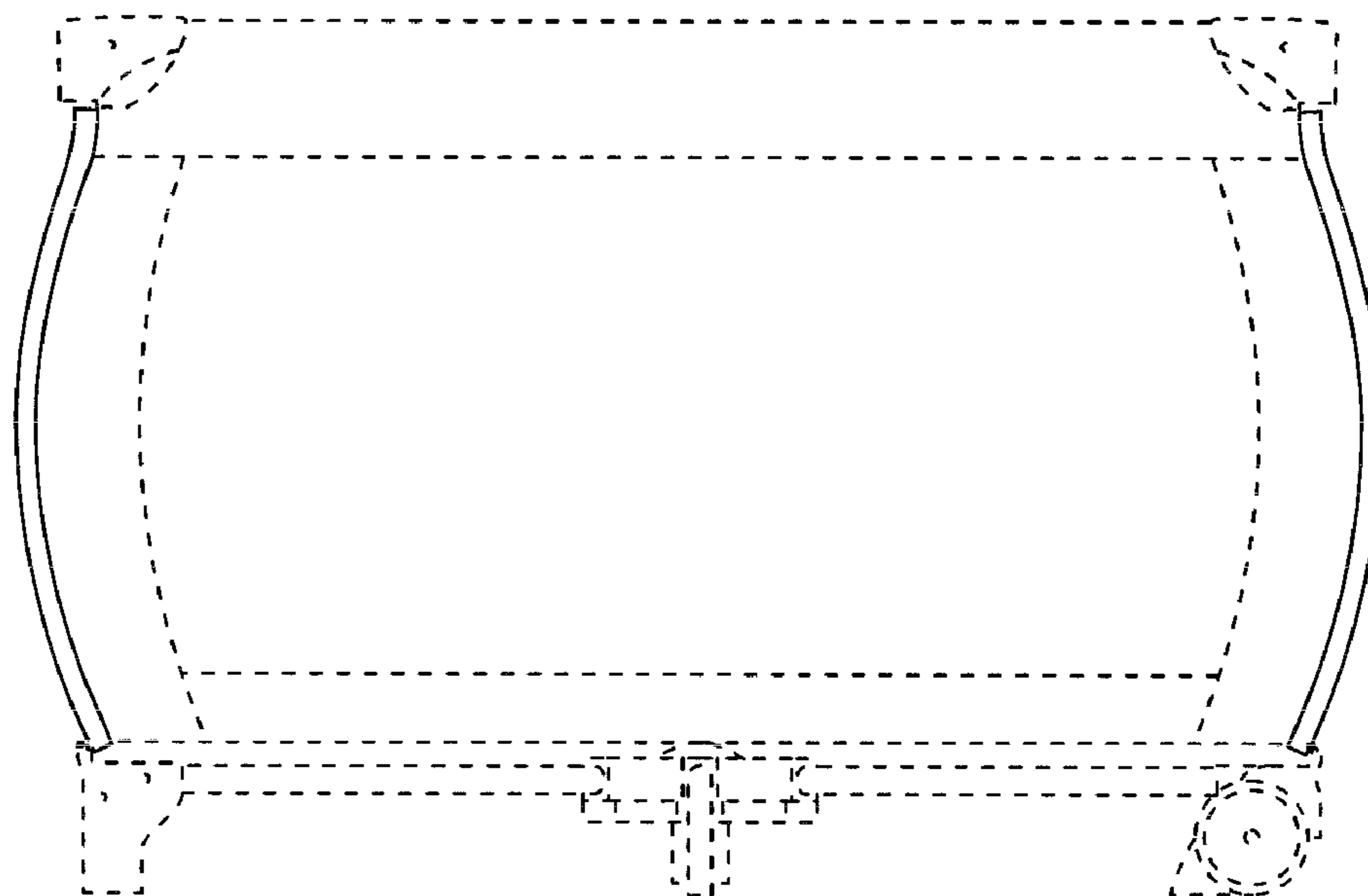


Fig. 4

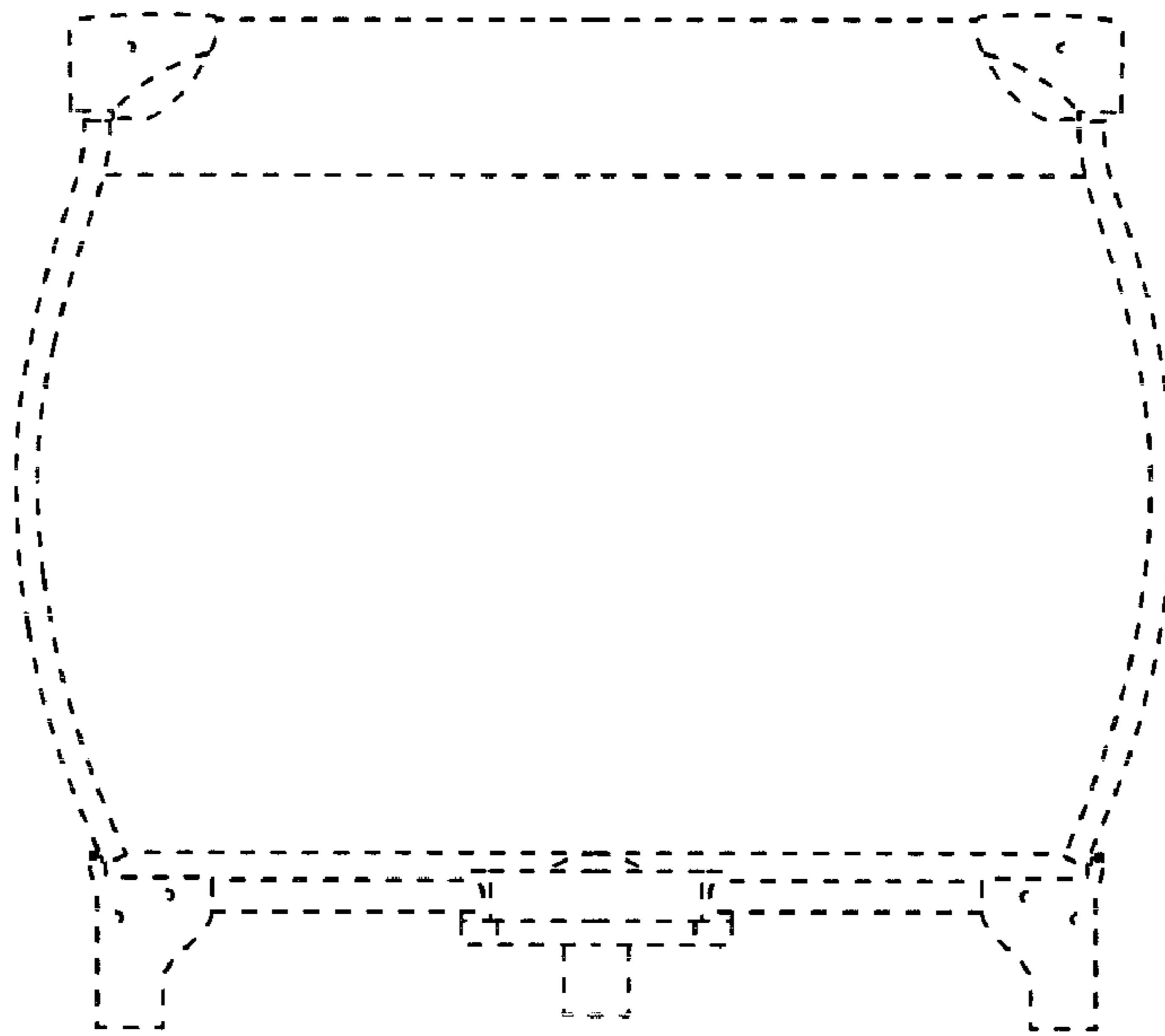
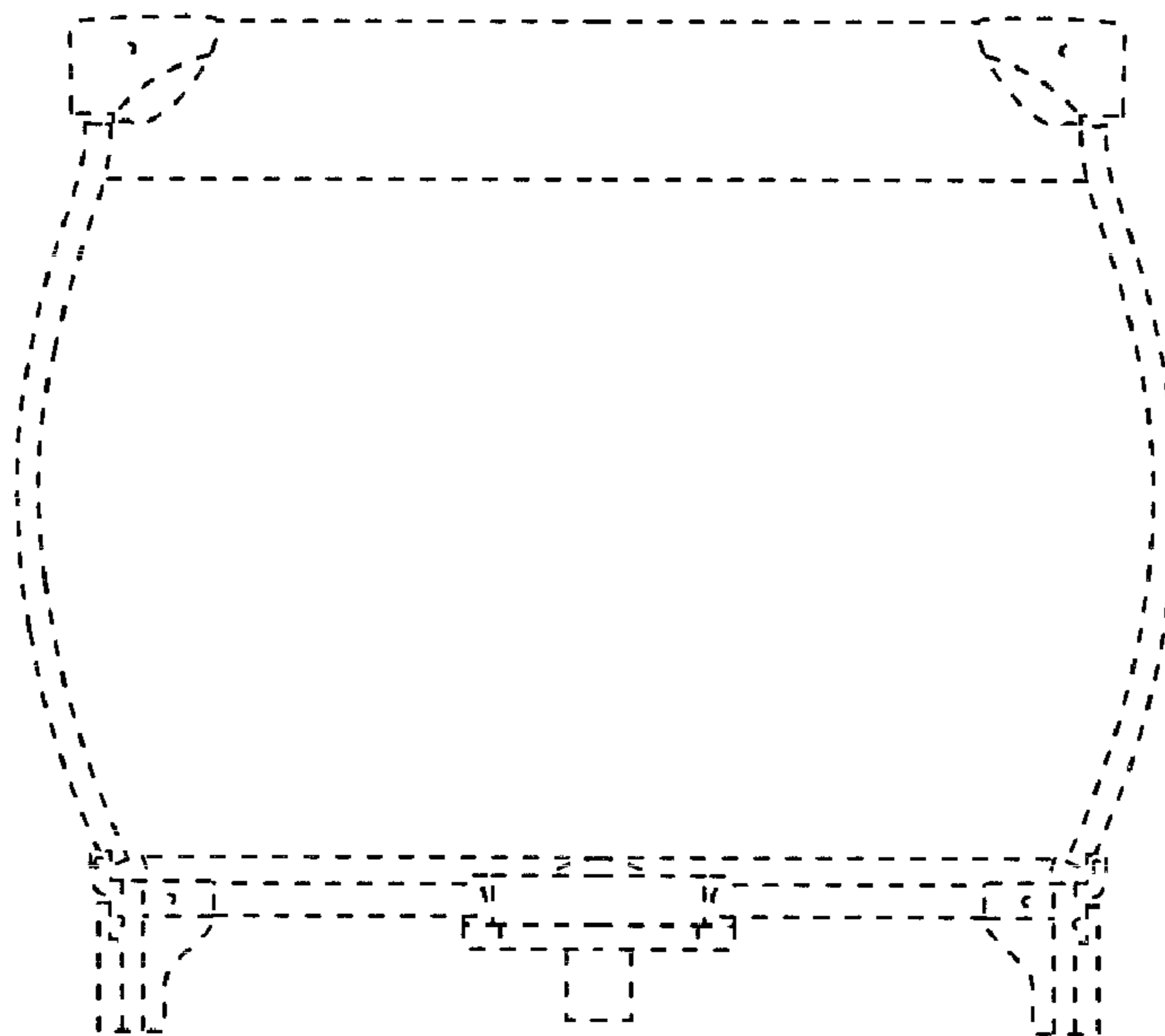


Fig. 5



(12) **INTER PARTES REVIEW CERTIFICATE** (1649th)

United States Patent
Troutman et al.

(10) **Number:** **US D616,231 K1**
(45) **Certificate Issued:** **Feb. 10, 2020**

(54) **EXPOSED LEGS FOR A PLAY YARD**

(75) **Inventors: Damon Oliver Casati Troutman;**
Edward B. Bretschger

(73) **Assignee: KOLCRAFT ENTERPRISES, INC.**

Trial Number:

IPR2016-00826 filed Mar. 31, 2016

Inter Partes Review Certificate for:

Patent No.: **D616,231**
Issued: **May 25, 2010**
Appl. No.: **29/339,831**
Filed: **Jul. 8, 2009**

The results of IPR2016-00826 are reflected in this inter partes review certificate under 35 U.S.C. 318(b).

INTER PARTES REVIEW CERTIFICATE
U.S. Patent D616,231 K1
Trial No. IPR2016-00826
Certificate Issued Feb. 10, 2020

1

2

AS A RESULT OF THE INTER PARTES
REVIEW PROCEEDING, IT HAS BEEN
DETERMINED THAT:

The claim is cancelled.

5

* * * * *