



US00D616230S

(12) **United States Design Patent**
Leeds et al.

(10) **Patent No.:** **US D616,230 S**
(45) **Date of Patent:** **** May 25, 2010**

(54) **PEG BOARD FOR SHOP DESK HAVING A HUTCH**

D547,097 S * 7/2007 Bastian et al. D6/491
D573,828 S * 7/2008 Clokey et al. D6/553
2009/0108156 A1 * 4/2009 Lang et al. 248/220.31

(75) Inventors: **Richard B. Leeds**, Cold Spring Harbor, NY (US); **Mark A. Goldberg**, Lido Beach, NY (US)

* cited by examiner

(73) Assignee: **Global Equipment Company, Inc.**, Port Washington, NY (US)

Primary Examiner—Janice E Seeger
(74) *Attorney, Agent, or Firm*—Davidoff Malito & Hutcher LLP

(**) Term: **14 Years**

(57) **CLAIM**

(21) Appl. No.: **29/342,938**

The ornamental design for a peg board for shop desk having a hutch, as shown and described.

(22) Filed: **Sep. 3, 2009**

DESCRIPTION

(51) **LOC (9) Cl.** **06-06**

(52) **U.S. Cl.** **D6/491; D6/511**

(58) **Field of Classification Search** D6/422-428,
D6/491, 509, 511, 469, 553; 312/194-196,
312/239, 279; 108/50.01, 50.02; 248/220.31;
D25/152

FIG. 1 is a perspective view of a peg board for a shop desk having a hutch wherein the shop desk and hutch are shown in dotted lines.

FIG. 2 is a top view thereof.

FIG. 3 is a front view thereof.

FIG. 4 is a rear view thereof.

FIG. 5 is a right side view thereof.

FIG. 6 is a left side view thereof; and,

FIG. 7 is a front view of the peg board without the shop desk and hutch.

See application file for complete search history.

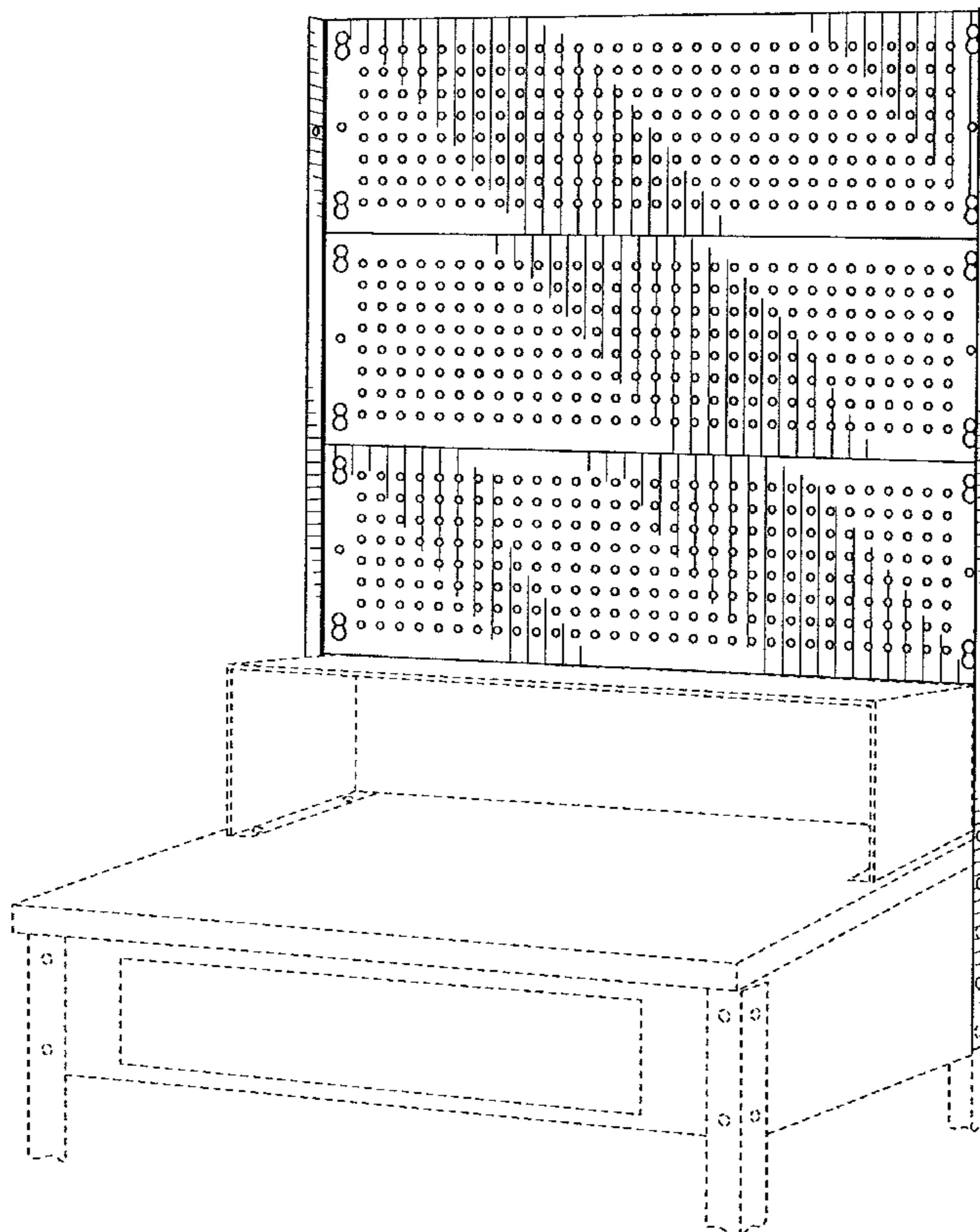
The broken lines form no part of the claimed design.

(56) **References Cited**

U.S. PATENT DOCUMENTS

2,961,280	A *	11/1960	Jentzen	108/27
3,389,666	A *	6/1968	Schultze-Bonatz	108/17
D257,093	S *	9/1980	Brittner	D6/481
4,312,086	A *	1/1982	Bianco	5/2.1
6,460,946	B1 *	10/2002	Beukema	312/196

1 Claim, 7 Drawing Sheets



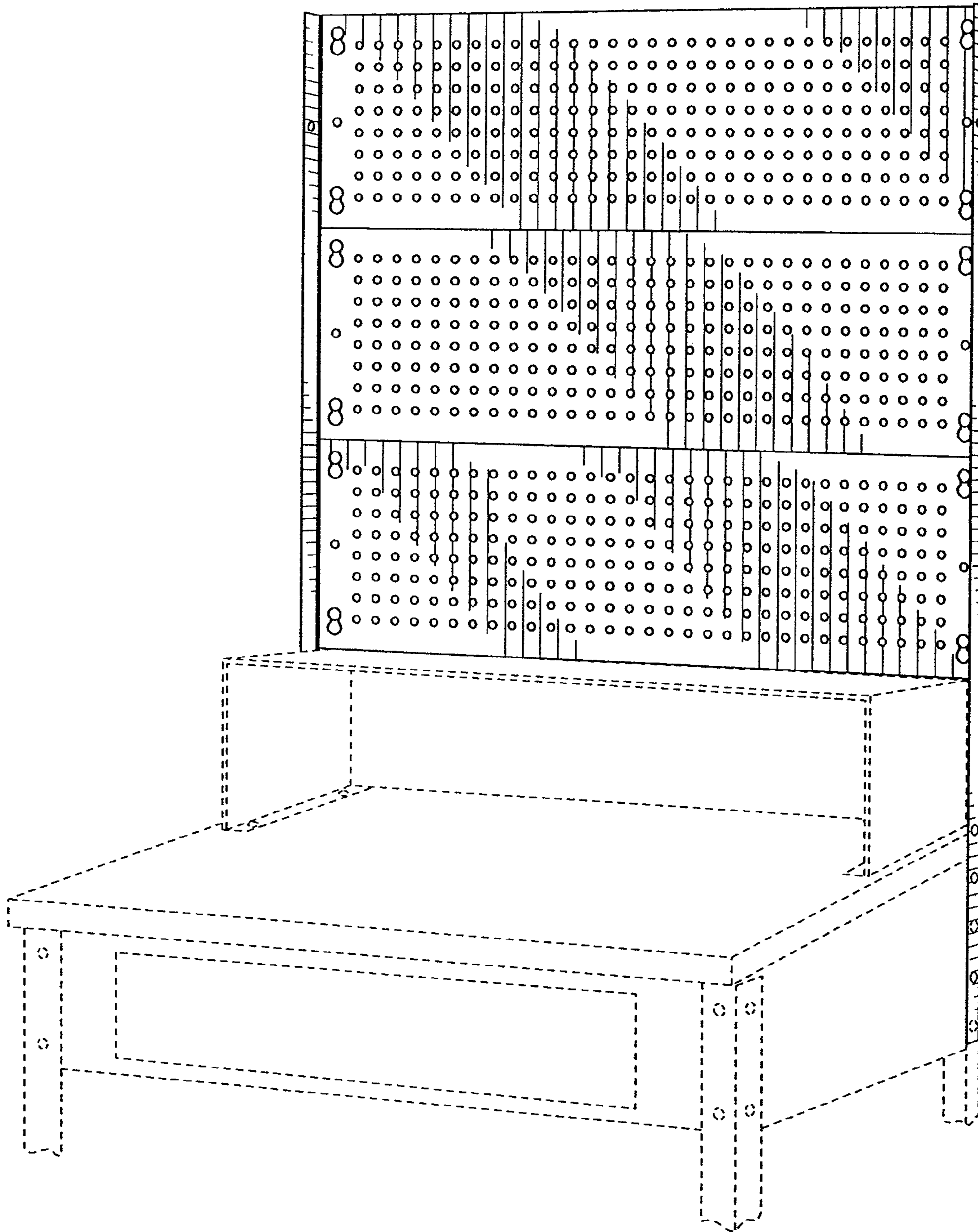


FIG. 1

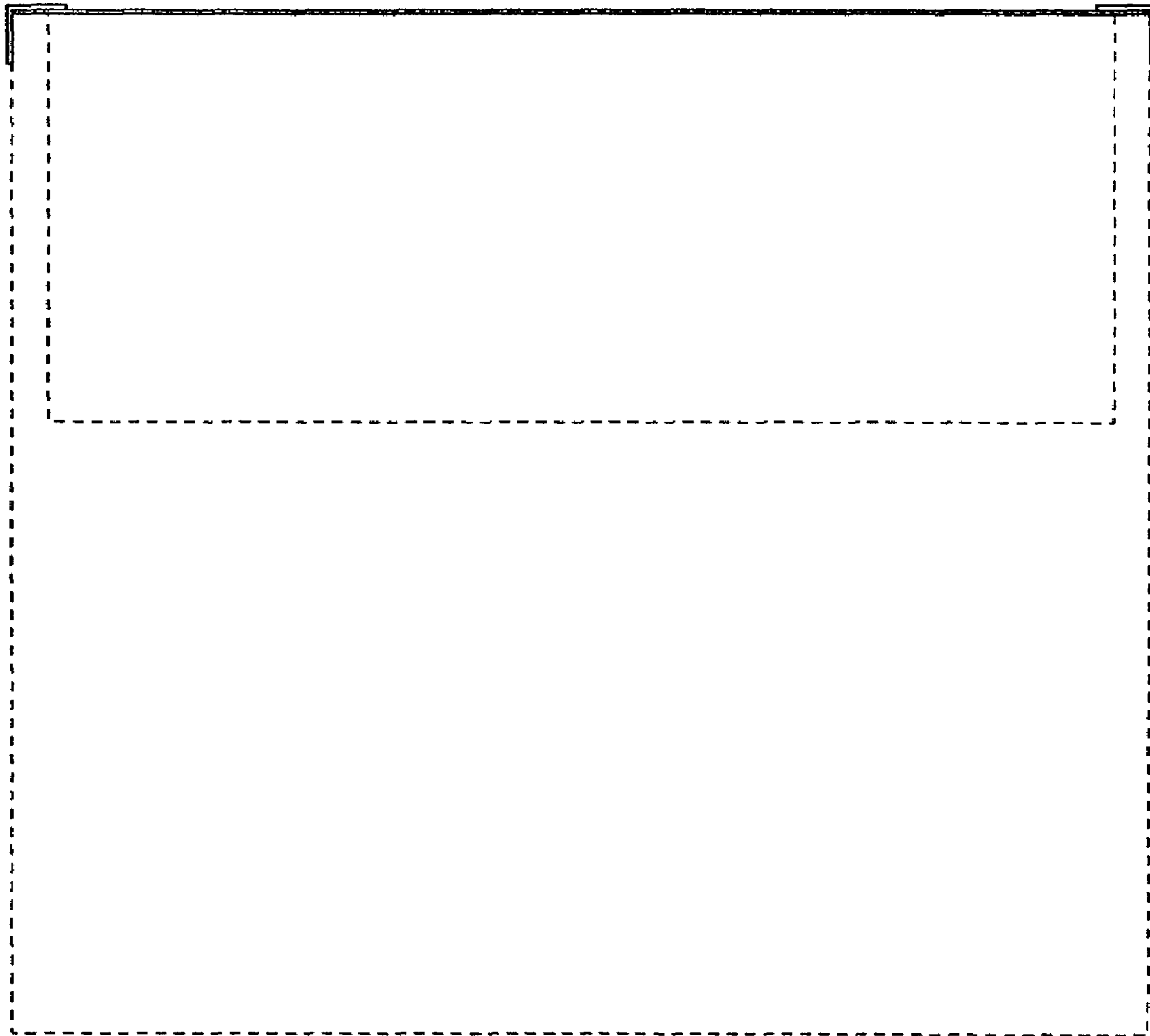


FIG. 2

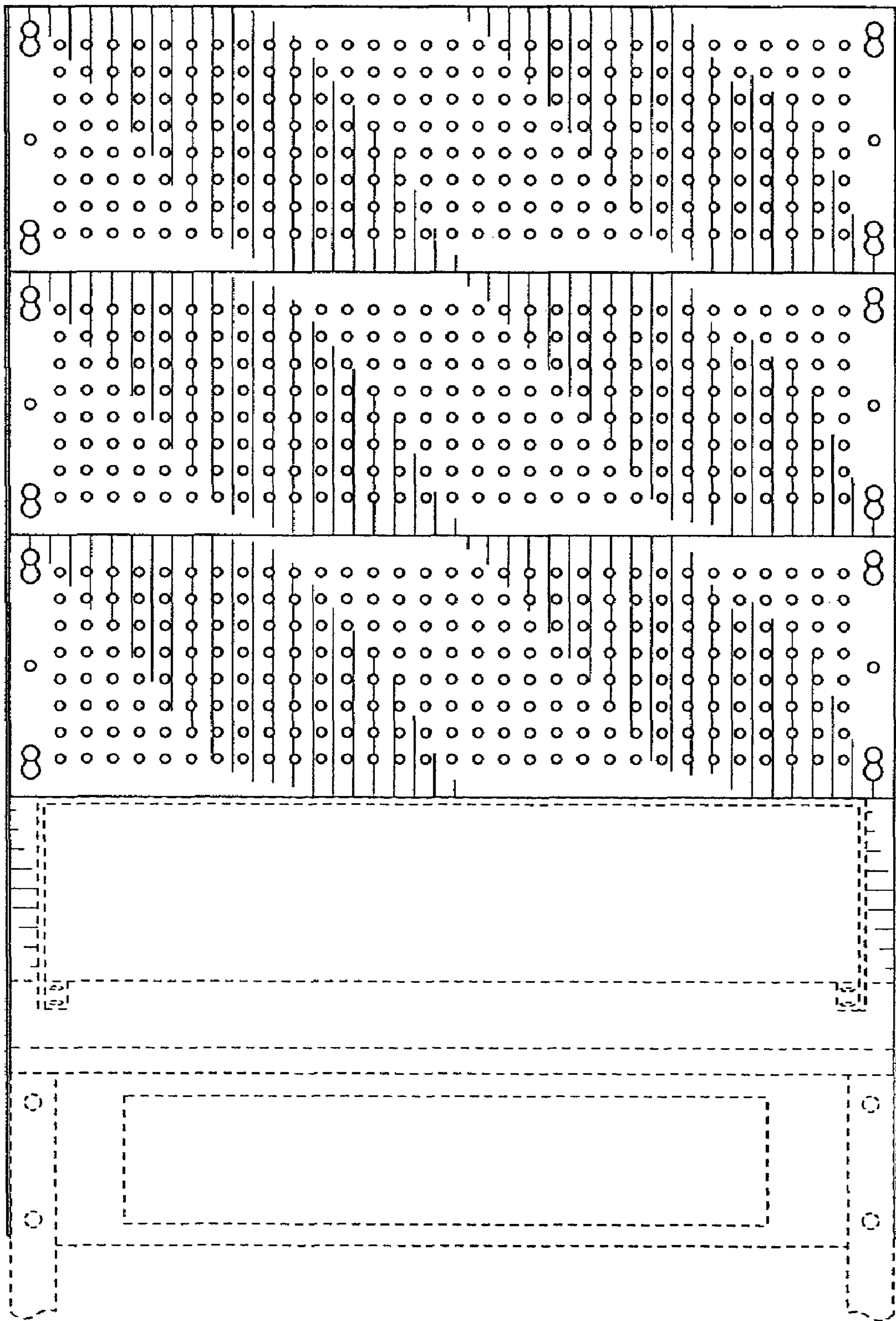


FIG. 3

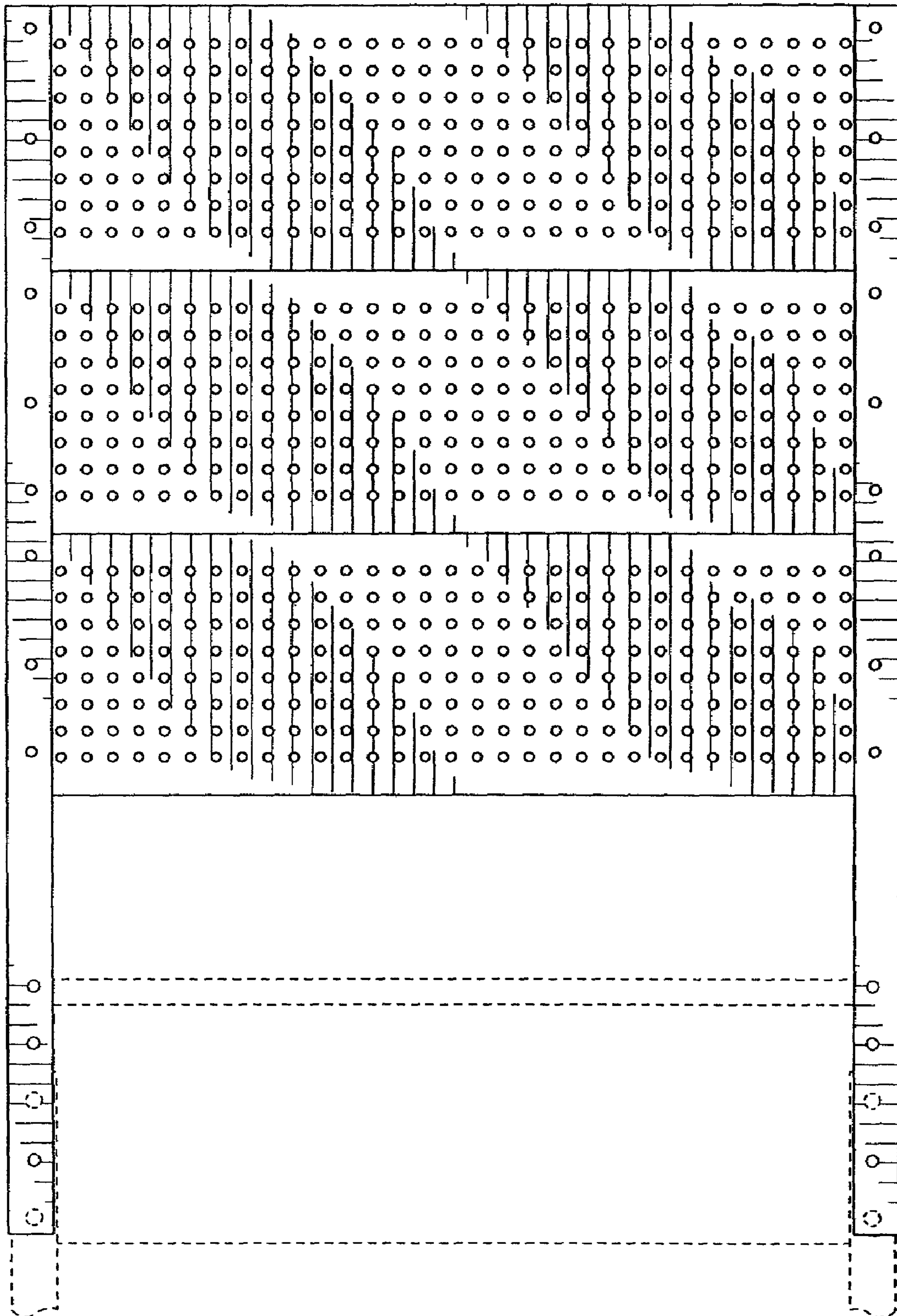


FIG. 4

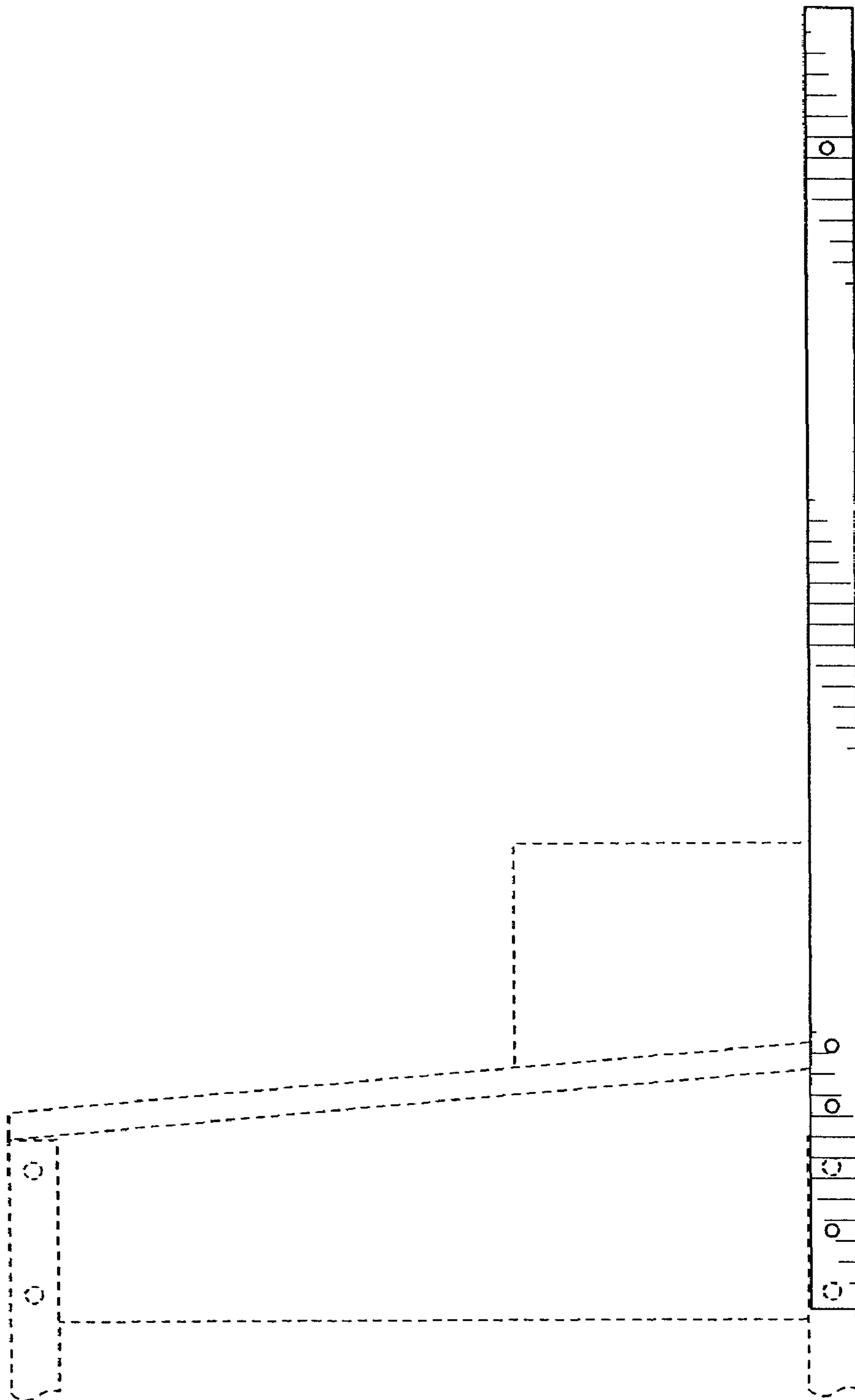


FIG. 5

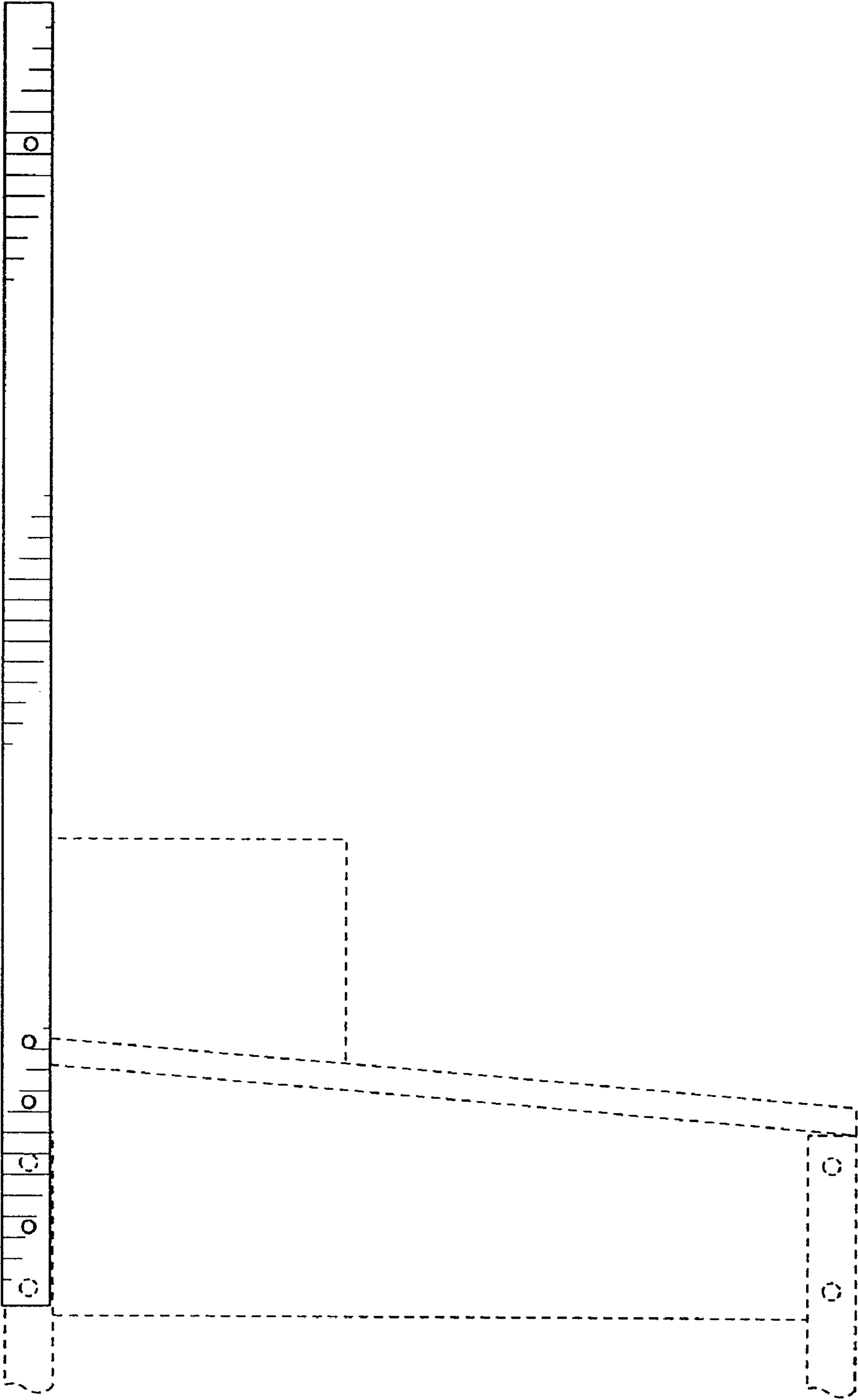


FIG. 6

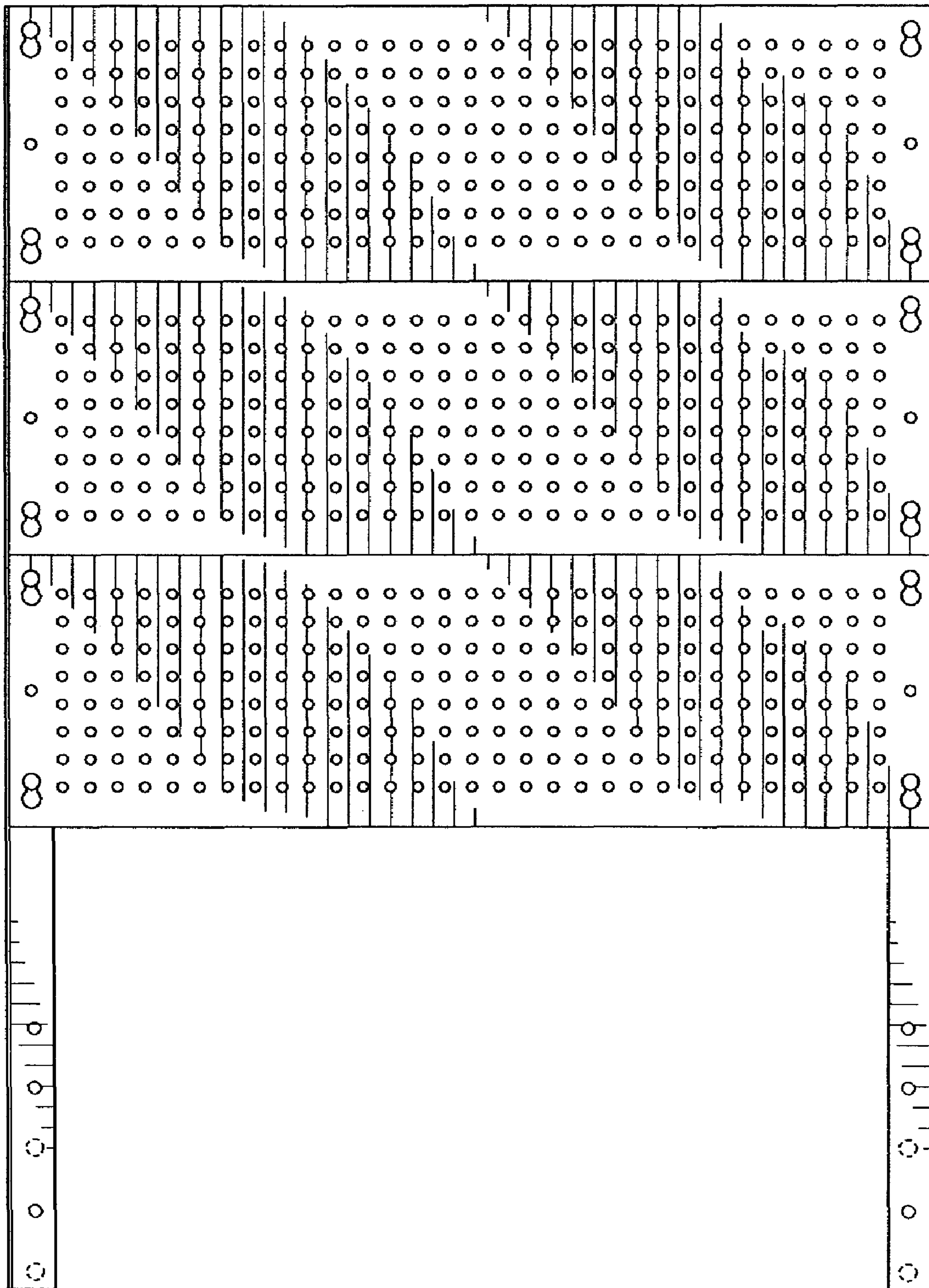


FIG. 7