



US00D616229S

(12) **United States Design Patent**
Suitt

(10) **Patent No.:** **US D616,229 S**

(45) **Date of Patent:** **** May 25, 2010**

(54) **PEDICURE CHAIR FOOTBATH COVER**

(75) **Inventor:** **Dyan Coleman Suitt**, 798 Noah Davis Rd., Roxboro, NC (US) 27574

(73) **Assignee:** **Dyan Coleman Suitt**, Roxboro, NC (US)

(**) **Term:** **14 Years**

(21) **Appl. No.:** **29/291,287**

(22) **Filed:** **Aug. 23, 2007**

(51) **LOC (9) Cl.** **06-01**

(52) **U.S. Cl.** **D6/491**

(58) **Field of Classification Search** D6/330,
D6/335-338, 340, 349-355, 358, 359, 364,
D6/366, 376, 491, 495, 500-502, 511; 297/16.1,
297/39, 46, 135, 140, 156, 158.3, 158.4,
297/175, 177, 187, 195.1, 195.11, 211, 245,
297/423.1, 423.16, 445.1, 461, 462; D23/277;
D7/550.1, 552.2, 554.3, 558

See application file for complete search history.

(56) **References Cited**

U.S. PATENT DOCUMENTS

4,295,680	A *	10/1981	Grasso	297/188.09
4,436,340	A *	3/1984	Hernandez	297/188.09
D278,580	S *	4/1985	Collins	D6/349
D311,828	S *	11/1990	Clark et al.	D6/406.5
D321,991	S *	12/1991	Menges et al.	D6/335
D355,988	S *	3/1995	Brooking	D6/382
D424,819	S *	5/2000	Galati et al.	D6/336
D427,818	S *	7/2000	Whistance-Smith	D6/500
D434,916	S *	12/2000	Galati et al.	D6/336
D454,705	S *	3/2002	Long et al.	D6/336

D455,017	S *	4/2002	Tran	D6/336
D455,566	S *	4/2002	Park	D6/336
D457,018	S *	5/2002	Park	D6/495
6,503,212	B2 *	1/2003	Park	601/158
D490,261	S *	5/2004	Astle et al.	D6/511
D498,599	S *	11/2004	Luong	D6/336
D504,783	S *	5/2005	Park	D6/336
D505,021	S *	5/2005	Kim	D6/336
D520,761	S *	5/2006	Masuda	D6/336
D541,060	S *	4/2007	Fugate et al.	D6/335
D550,005	S *	9/2007	Yount	D6/511
D555,987	S *	11/2007	Williams	D7/698
D562,575	S *	2/2008	Le	D6/336
D570,166	S *	6/2008	Brownlee	D7/698
D576,806	S *	9/2008	Le	D6/336
D576,807	S *	9/2008	Le	D6/336
D583,576	S *	12/2008	Tran	D6/336
D585,142	S *	1/2009	Galati et al.	D24/213
2004/0060108	A1 *	4/2004	Hoon Park	4/622

* cited by examiner

Primary Examiner—Sandra Snapp

(57) **CLAIM**

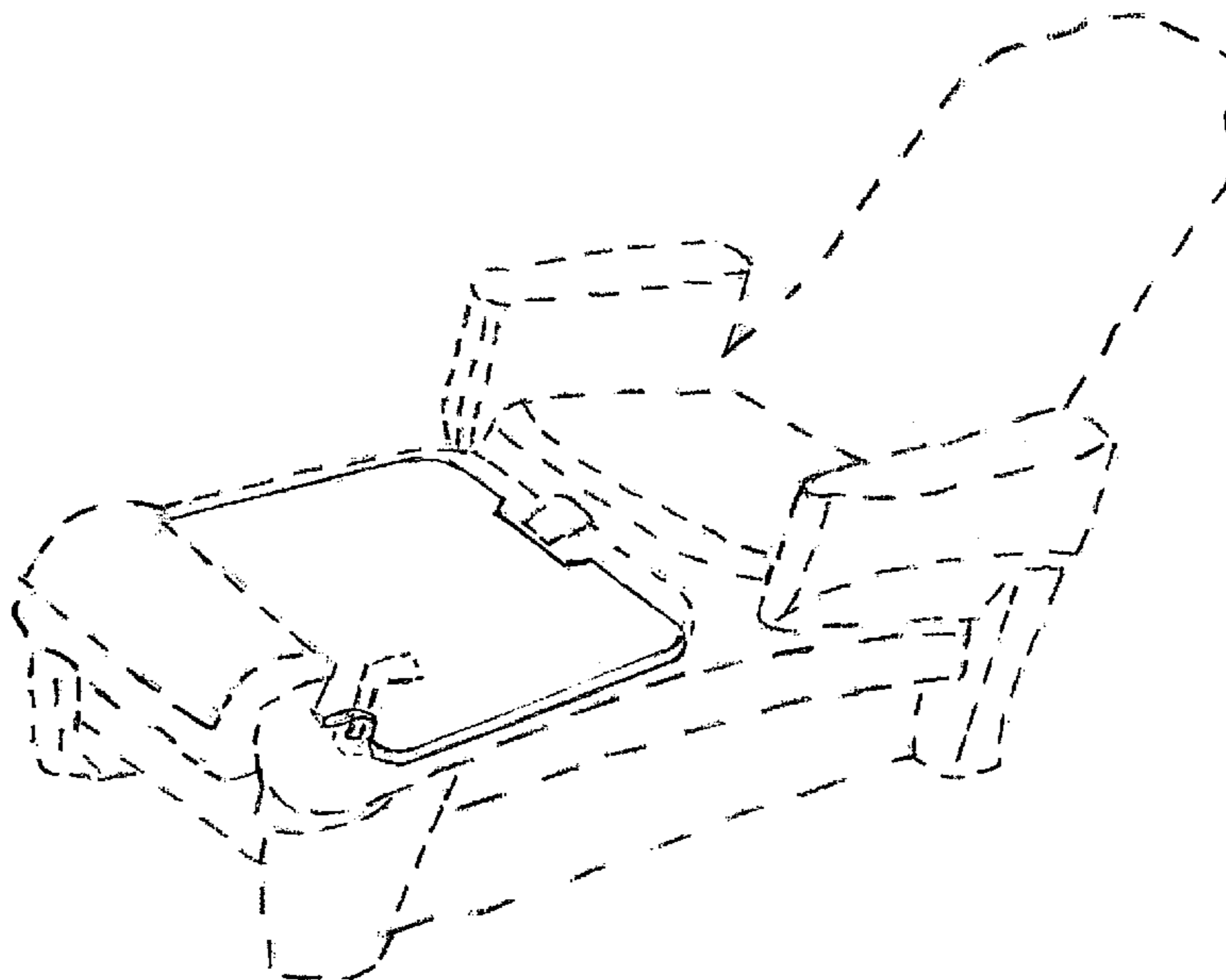
The ornamental design for a pedicure chair footbath cover, as shown and described.

DESCRIPTION

FIG. 1 is a top plan view;
FIG. 2 is a bottom plan view;
FIG. 3 is a front elevation view; and,
FIG. 4 is a top, front perspective view.

The broken lines shown in the drawings are for illustrative purposes only and form no part of the claimed design.

1 Claim, 2 Drawing Sheets



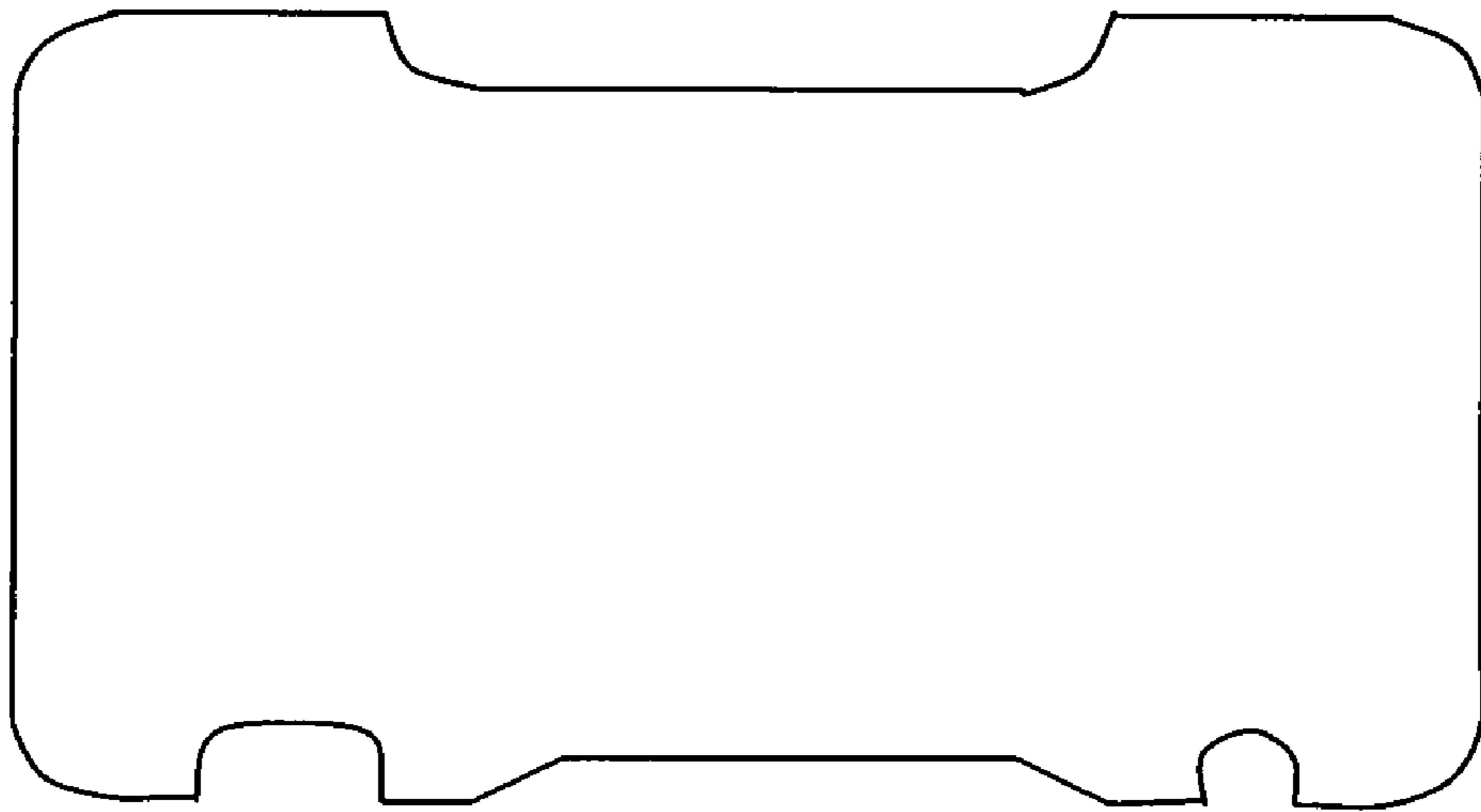


Fig. 1

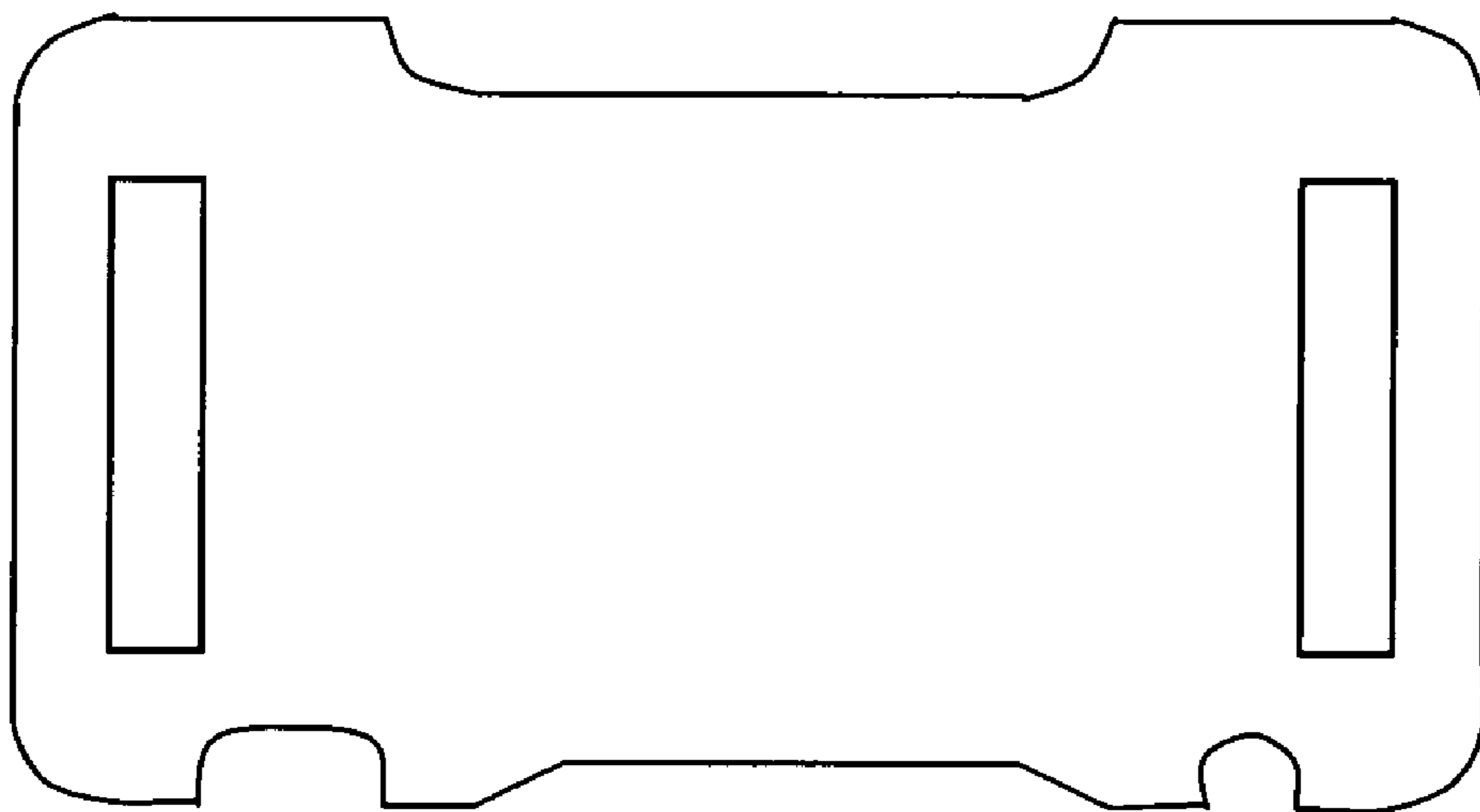


Fig. 2

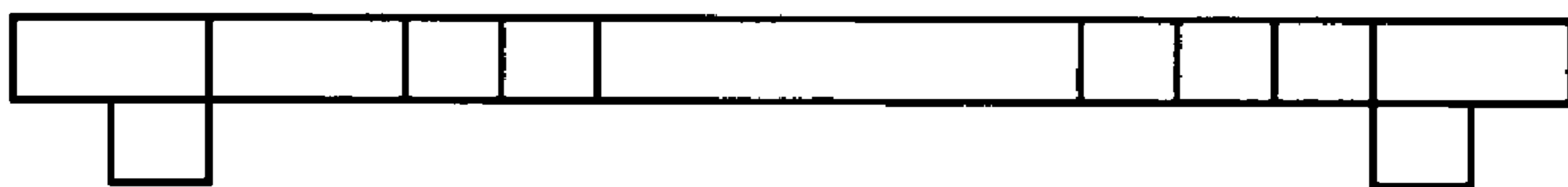


Fig. 3

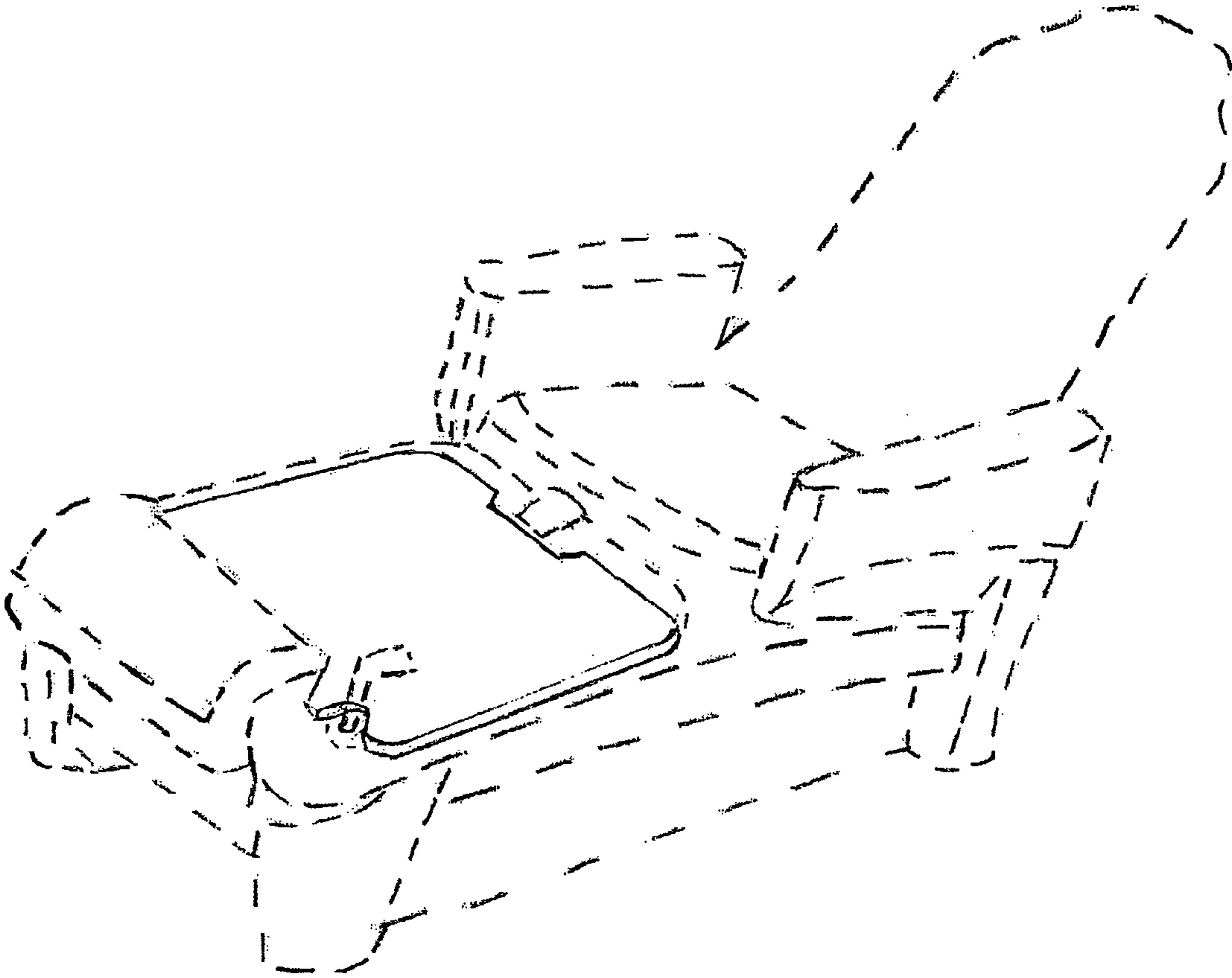


Fig.4