



US00D616226S

(12) **United States Design Patent**  
**Calco et al.**

(10) **Patent No.:** **US D616,226 S**

(45) **Date of Patent:** **\*\* May 25, 2010**

(54) **TELEVISION STAND**

D598,675 S \* 8/2009 Everson ..... D6/480

(75) Inventors: **Wayne Calco**, Laguna Hills, CA (US);  
**Takuji Yamamoto**, Santa Fe Springs,  
CA (US)

\* cited by examiner

*Primary Examiner*—Elizabeth A Albert  
*Assistant Examiner*—Kelley A Donnelly

(73) Assignee: **Atlantic Representations, Inc.**, Santa  
Fe Springs, CA (US)

(74) *Attorney, Agent, or Firm*—Cislo & Thomas, LLP

(\*\*) Term: **14 Years**

(57) **CLAIM**

(21) Appl. No.: **29/351,210**

The ornamental design for a television stand, as shown and  
described.

(22) Filed: **Dec. 2, 2009**

**DESCRIPTION**

(51) **LOC (9) Cl.** ..... **06-04**

(52) **U.S. Cl.** ..... **D6/479**

(58) **Field of Classification Search** ..... D6/477,  
D6/474, 478–479, 480–489, 495, 450–451,  
D6/436, 460; 108/153.1, 155–156, 161,  
108/155.7; 248/188, 188.1, 188.8; 211/40–42,  
211/40.12

See application file for complete search history.

FIG. 1 is a perspective view of our television stand;  
FIG. 2 is a front view thereof;  
FIG. 3 is a rear view thereof;  
FIG. 4 is a right side view thereof;  
FIG. 5 is a left side view thereof;  
FIG. 6 is a top view thereof; and  
FIG. 7 is a bottom view thereof;  
FIG. 8 is a perspective view of another embodiment of our  
television stand;  
FIG. 9 is a front view thereof;  
FIG. 10 is a rear view thereof;  
FIG. 11 is a right side view thereof;  
FIG. 12 is a left side view thereof;  
FIG. 13 is a top view thereof; and,  
FIG. 14 is a bottom view thereof.

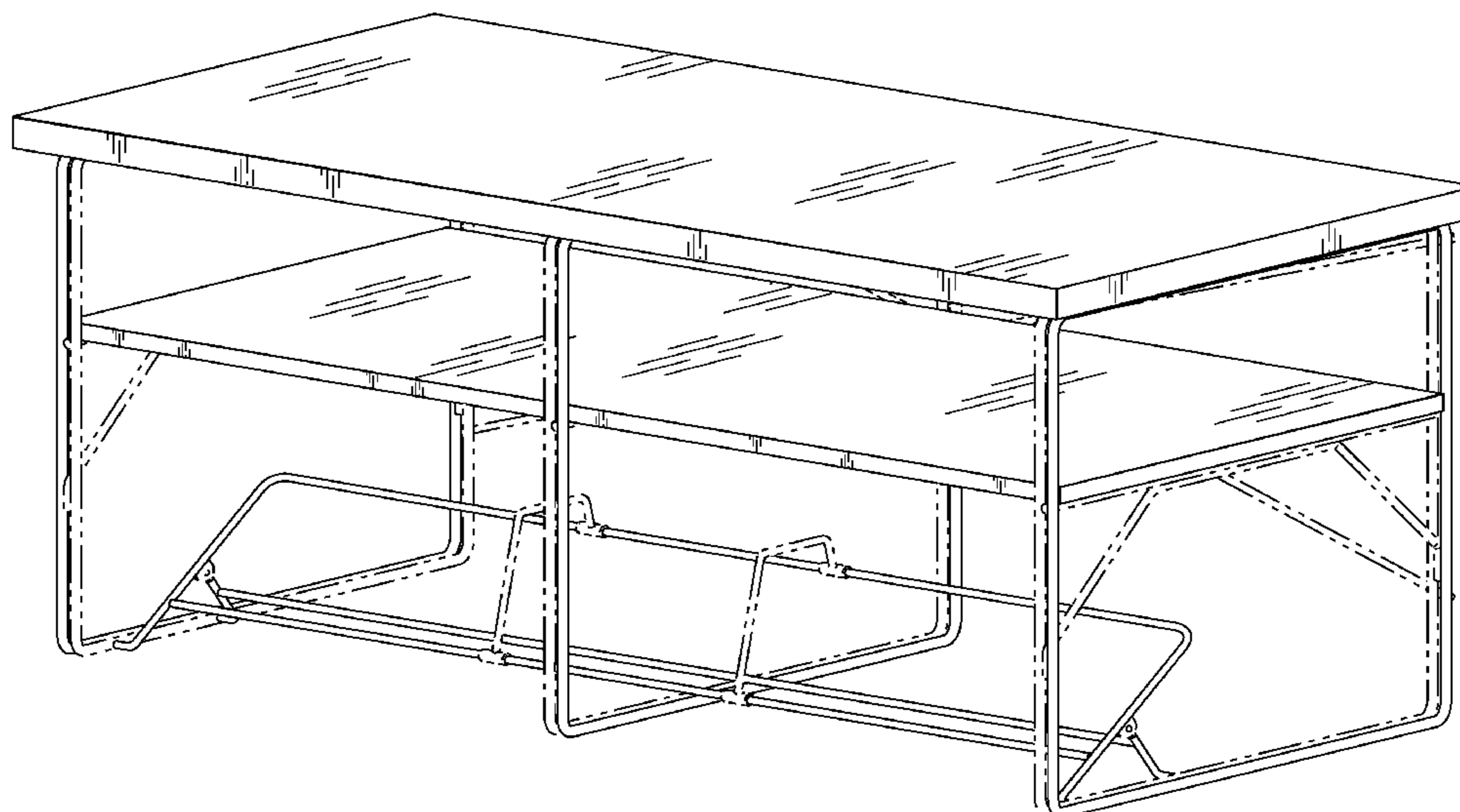
(56) **References Cited**

**U.S. PATENT DOCUMENTS**

D249,857 S *	10/1978	Adkinson	.....	D6/477
D258,177 S *	2/1981	Baker	.....	D6/478
D267,617 S *	1/1983	Hickey	.....	D6/484
D273,829 S *	5/1984	Desnoyers	.....	D6/484
D291,516 S *	8/1987	Strousse et al.	.....	D6/499
D291,517 S *	8/1987	Strousse et al.	.....	D6/500
D450,492 S *	11/2001	Sabo et al.	.....	D6/480
D497,741 S *	11/2004	Sexton	.....	D6/479
D502,617 S *	3/2005	Chang	.....	D6/480
D520,779 S *	5/2006	DeBlois	.....	D6/484
D534,379 S *	1/2007	Juneau	.....	D6/484
D551,468 S *	9/2007	Hoglan et al.	.....	D6/479
D571,779 S *	6/2008	Matsuoka	.....	D14/168

The broken line portions of the disclosure are included for the  
purpose of illustrating environment and form no part of the  
claimed design.

**1 Claim, 12 Drawing Sheets**



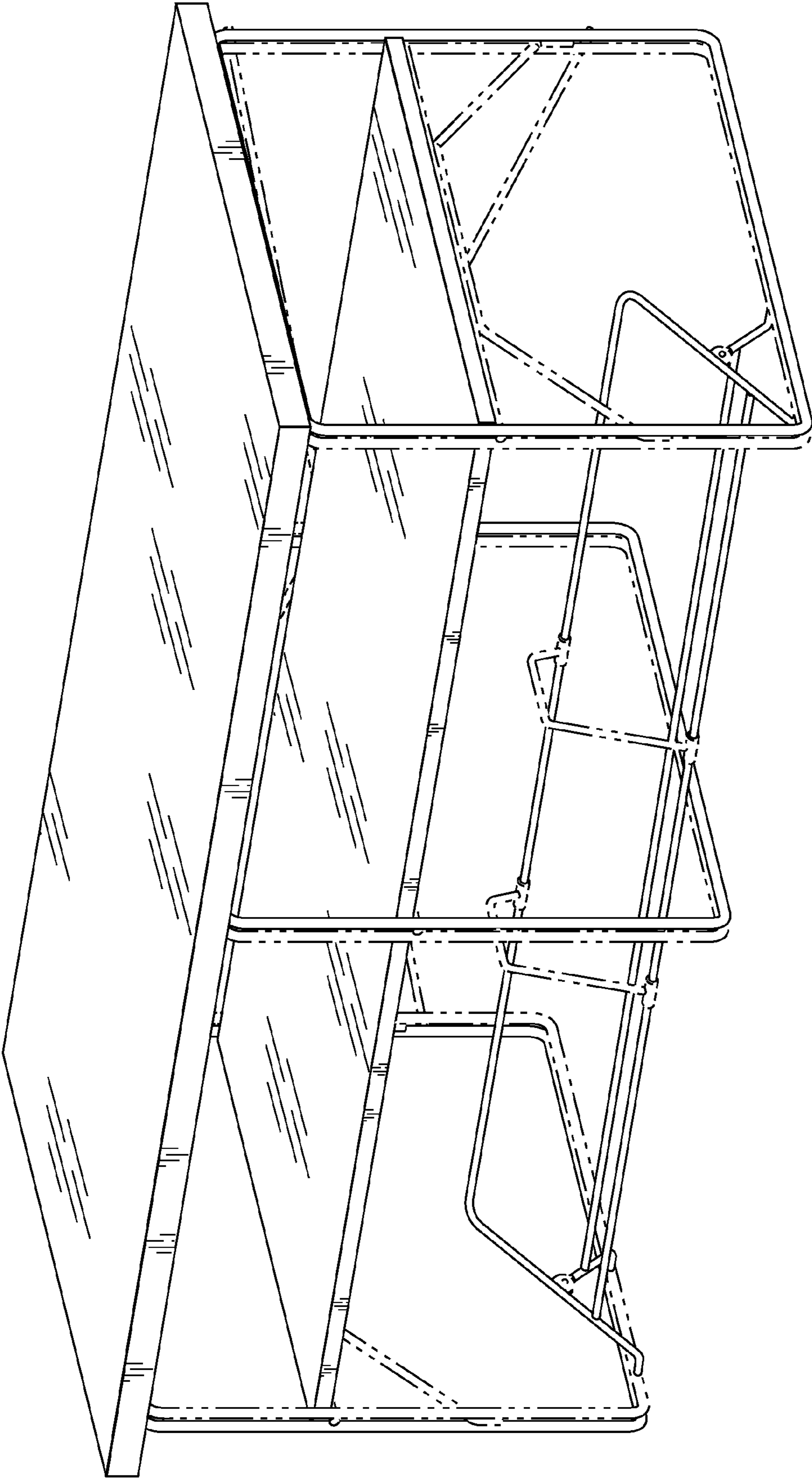


Fig. 1

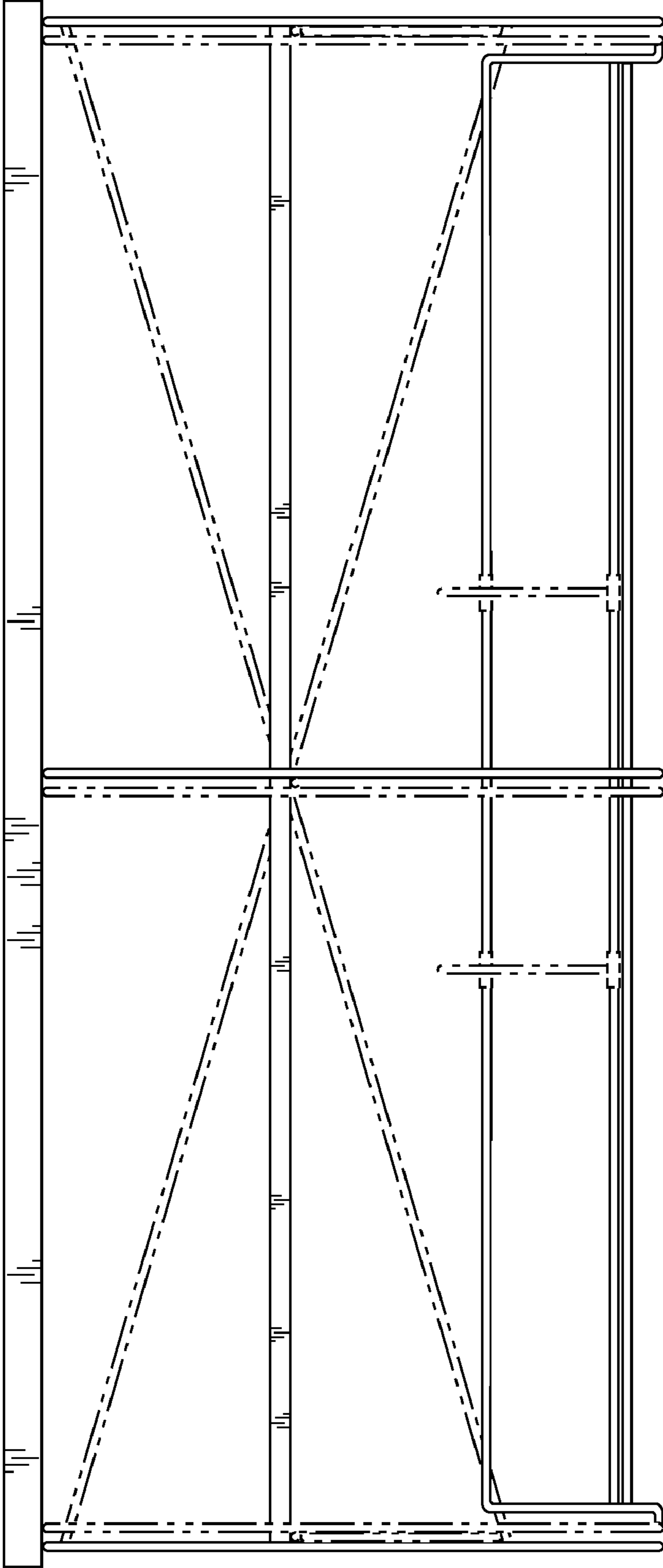


Fig. 2

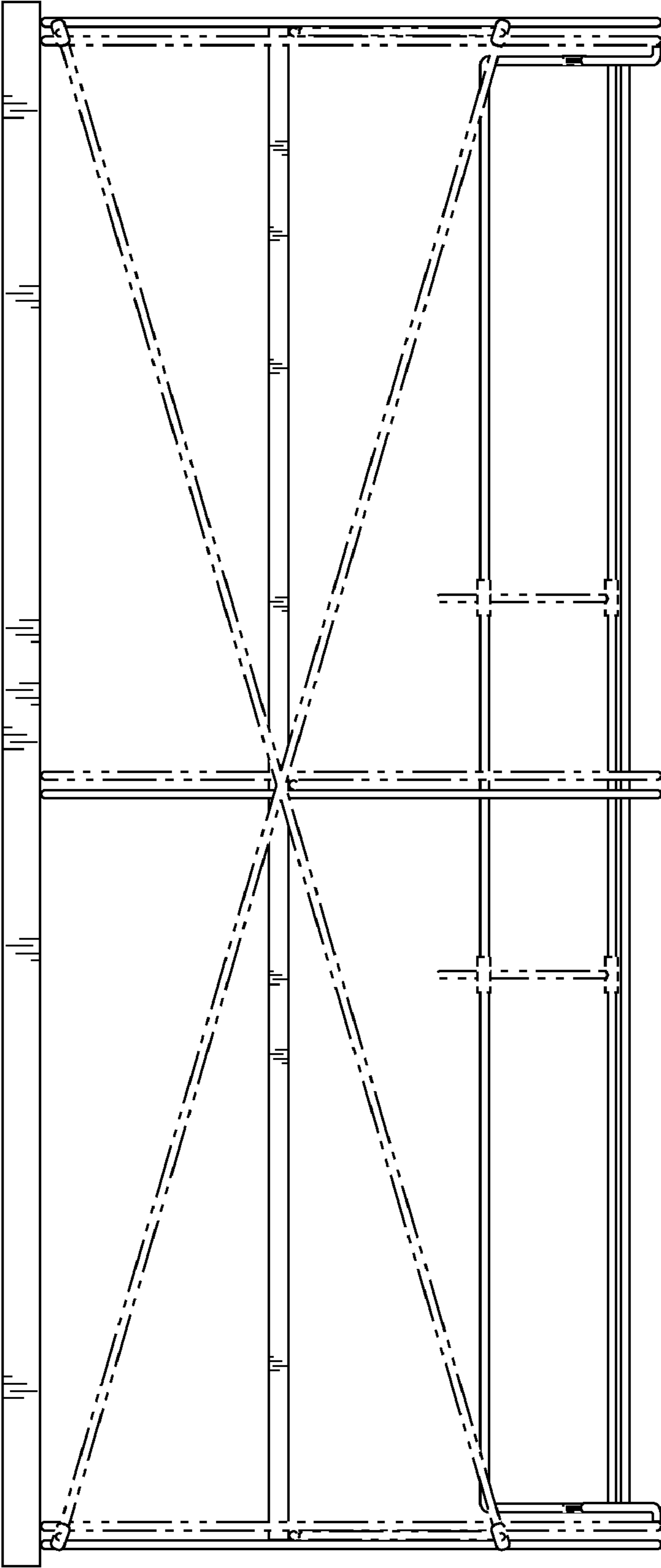


Fig. 3

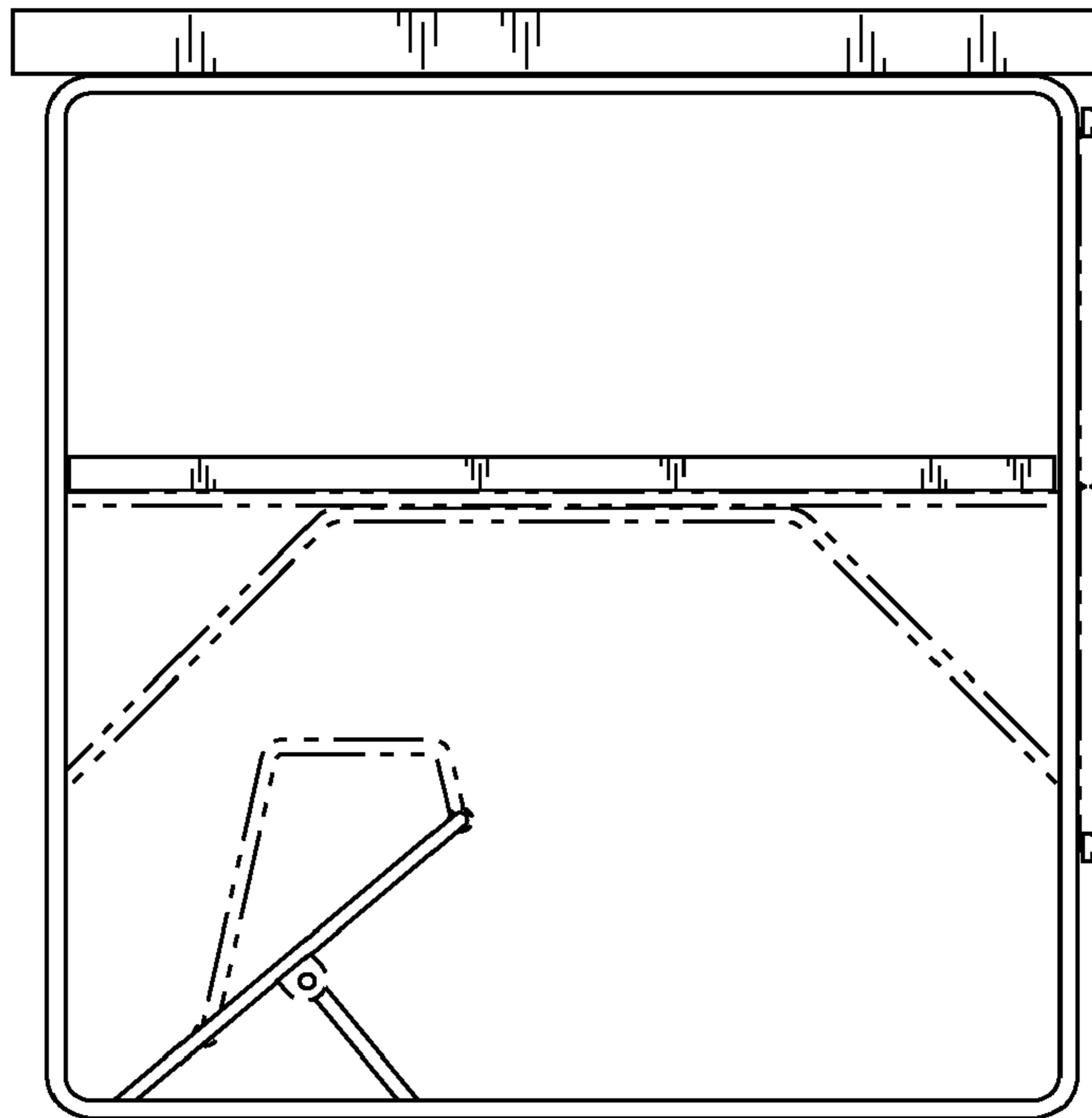


Fig. 4

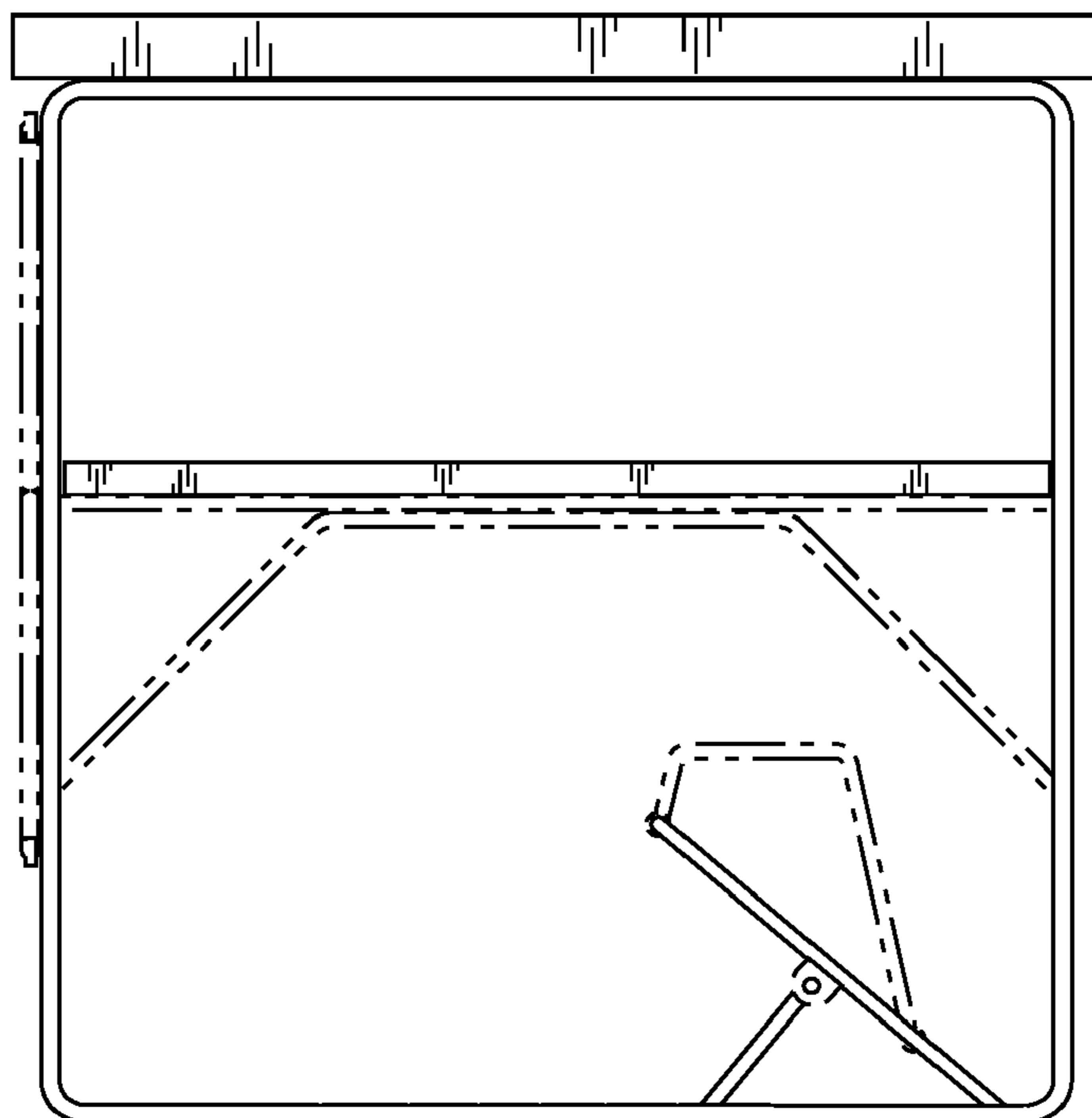


Fig. 5

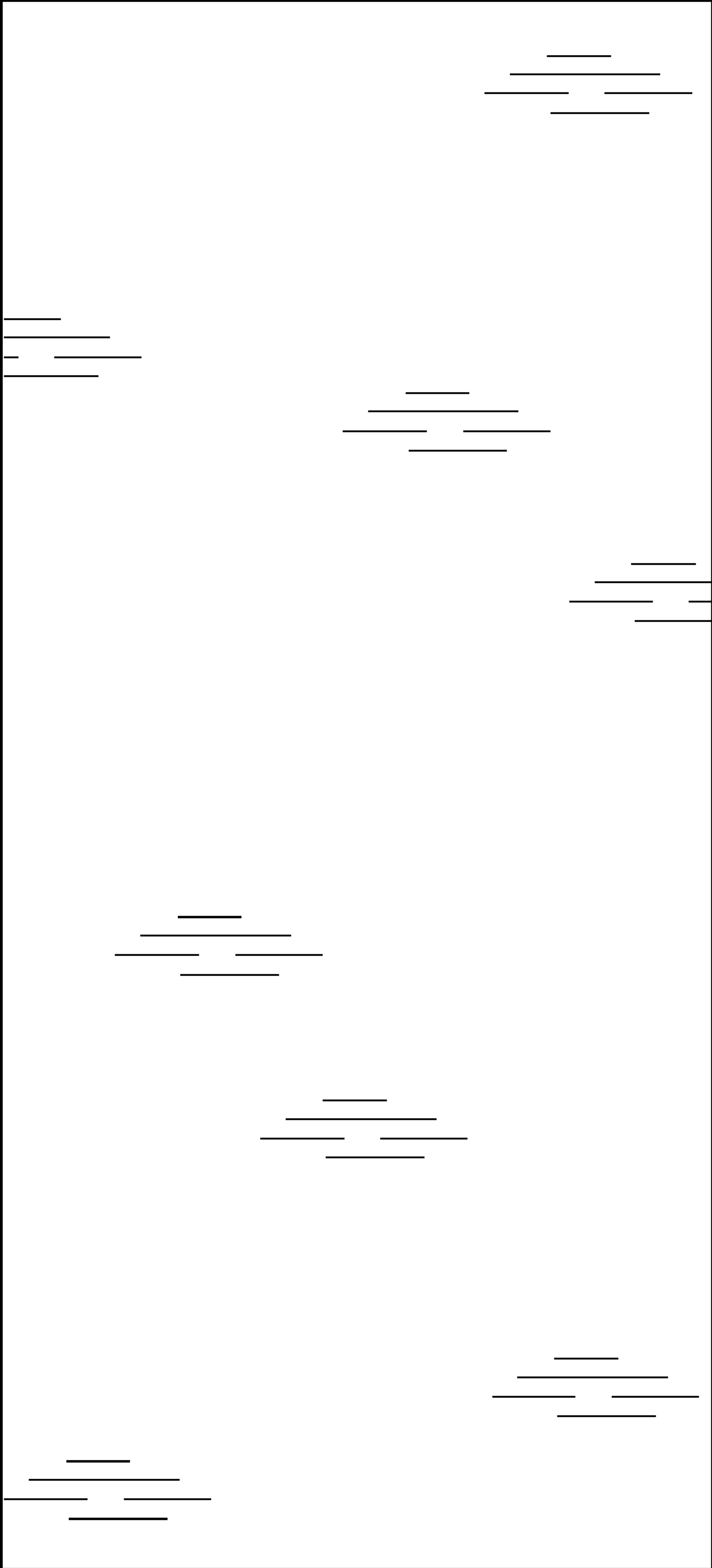


Fig. 6

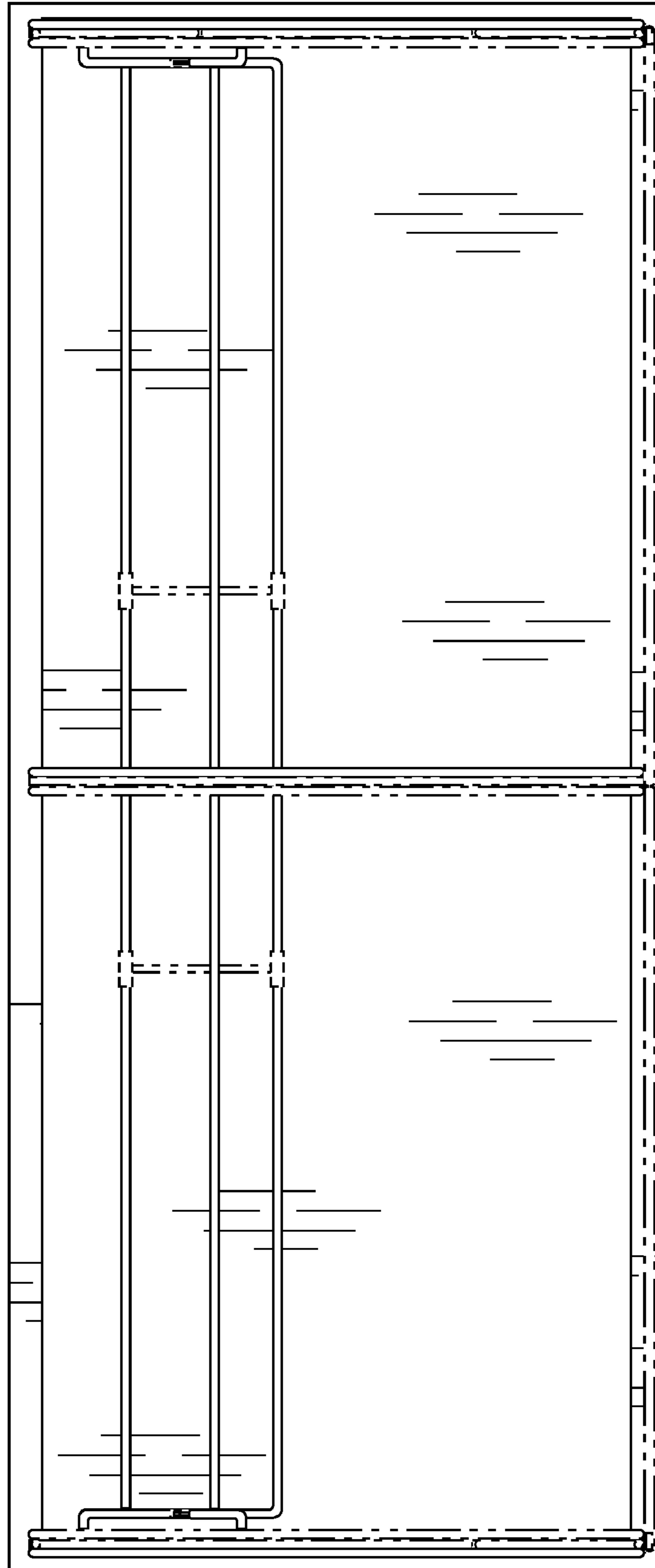


Fig. 7

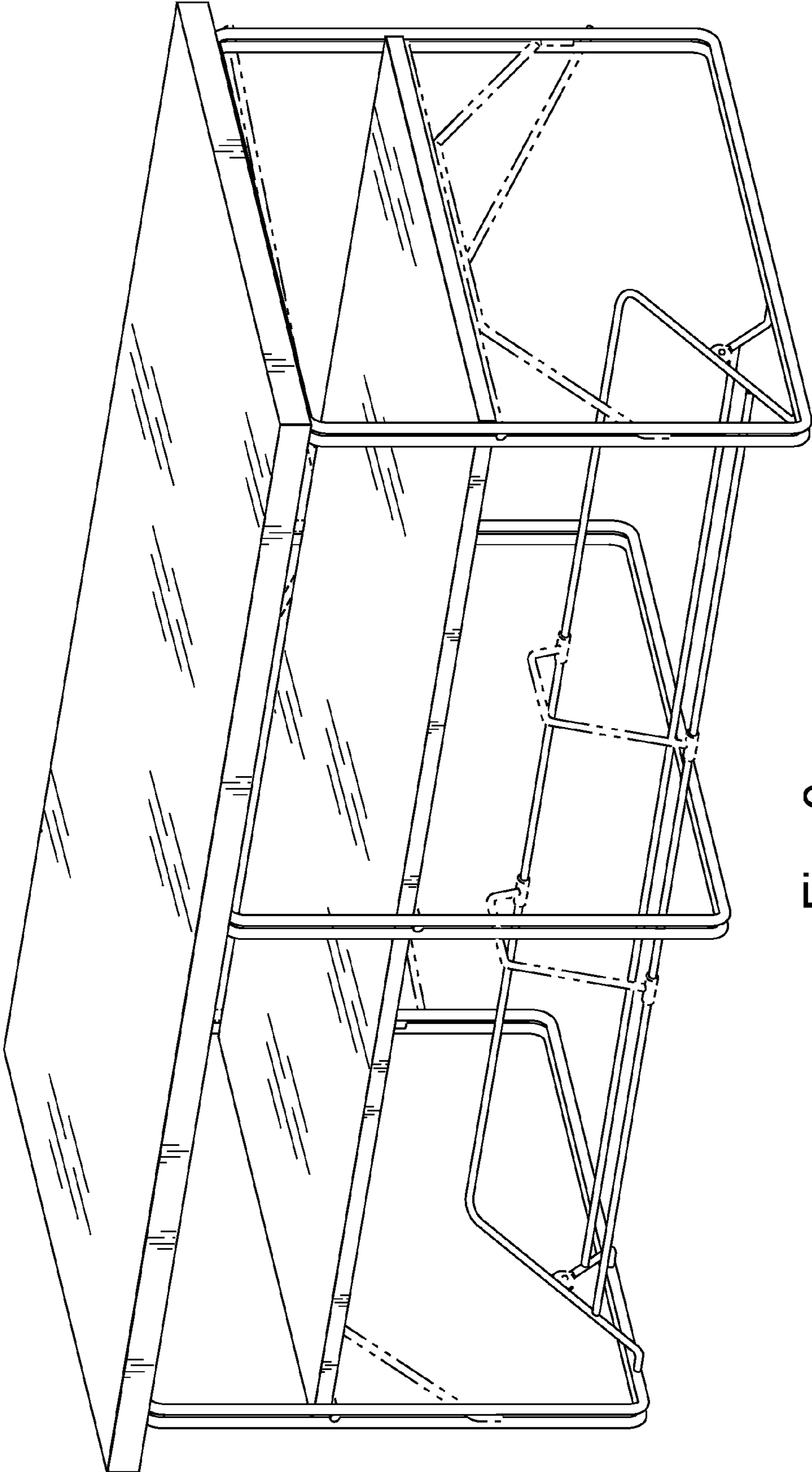


Fig. 8



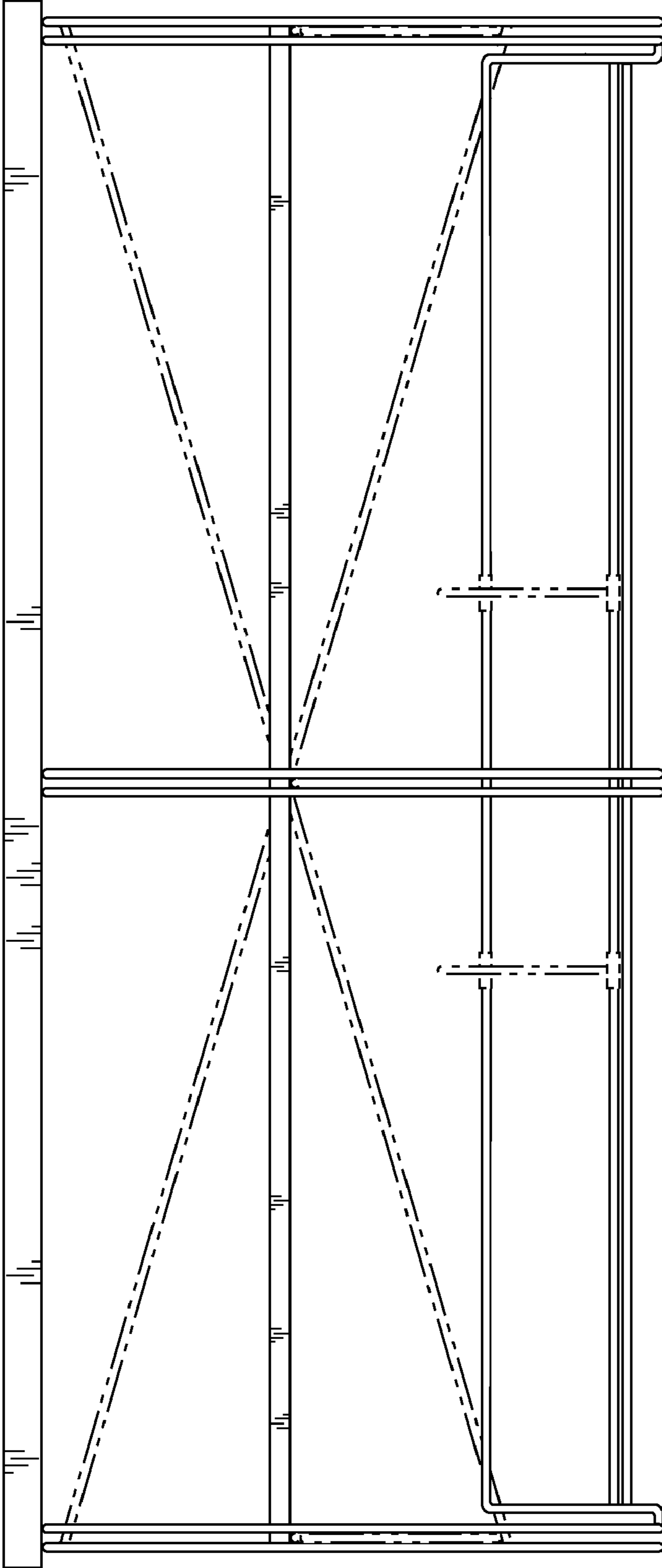


Fig. 9

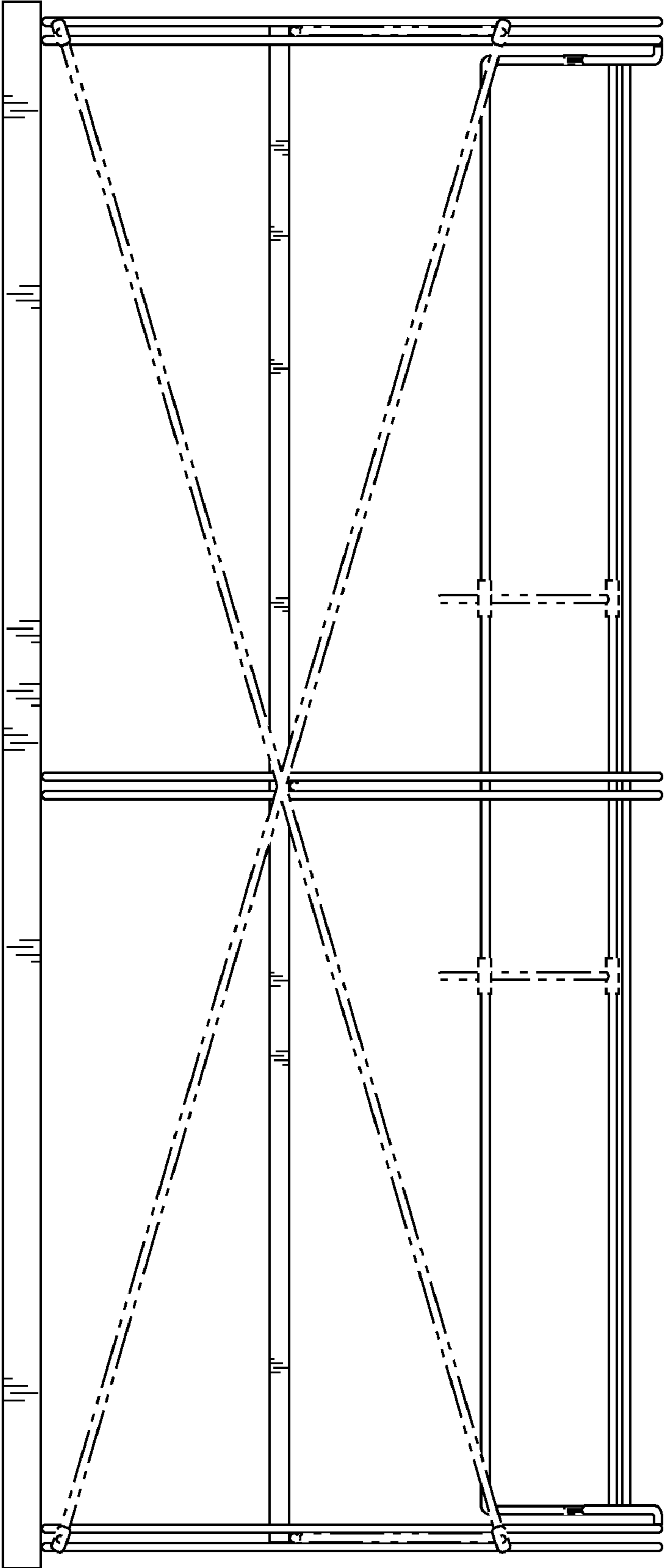


Fig. 10

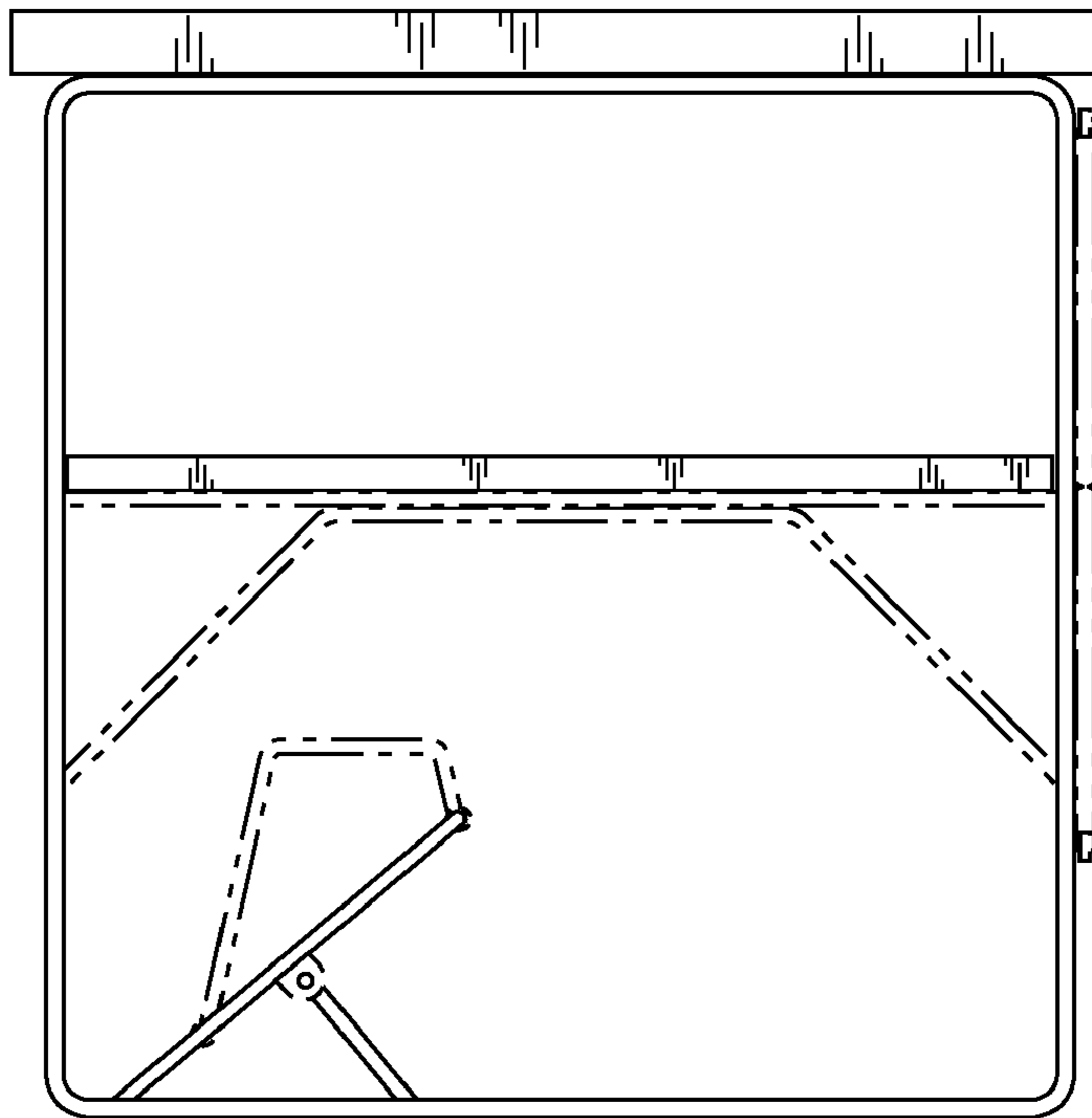


Fig. 11

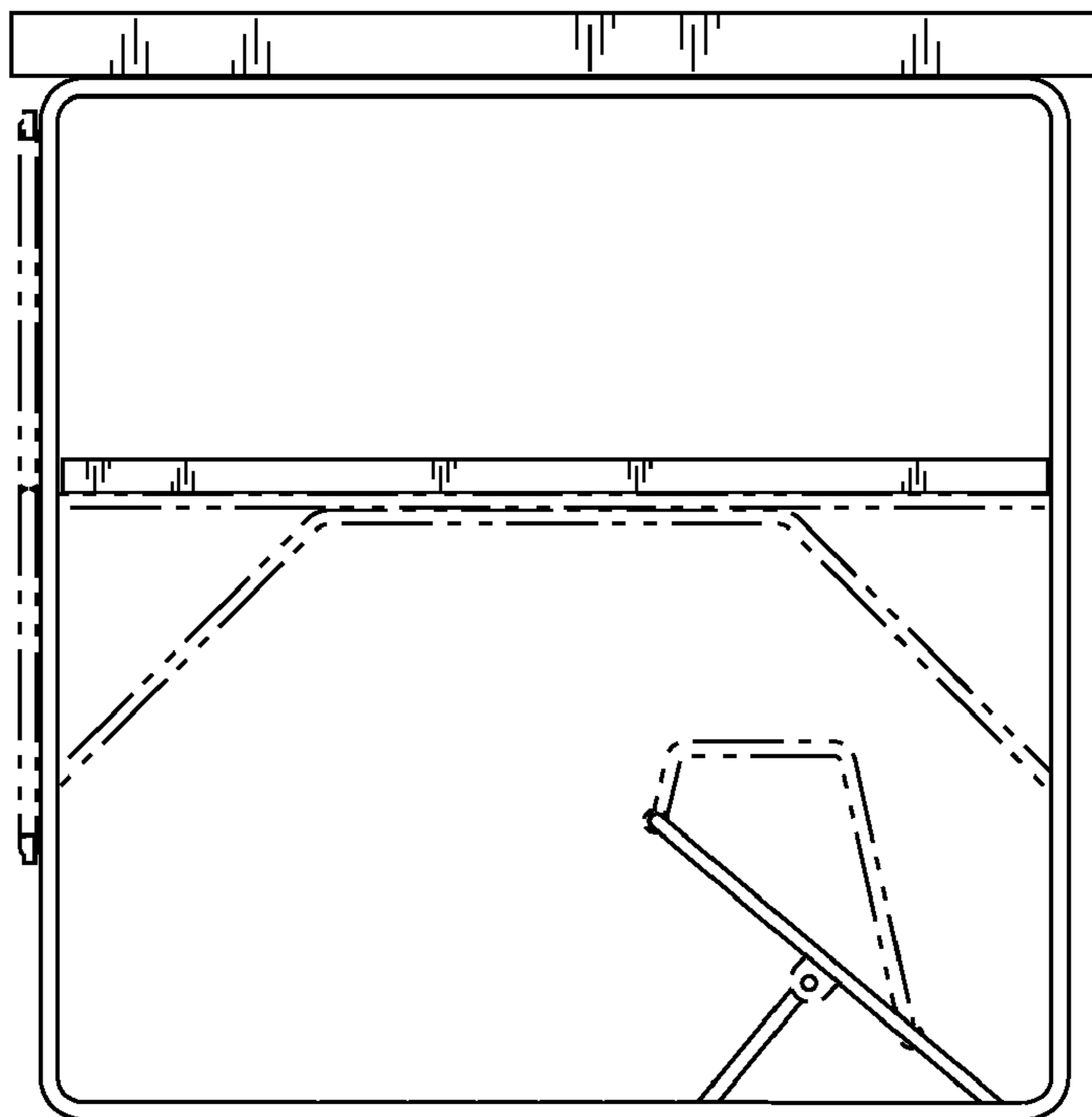


Fig. 12

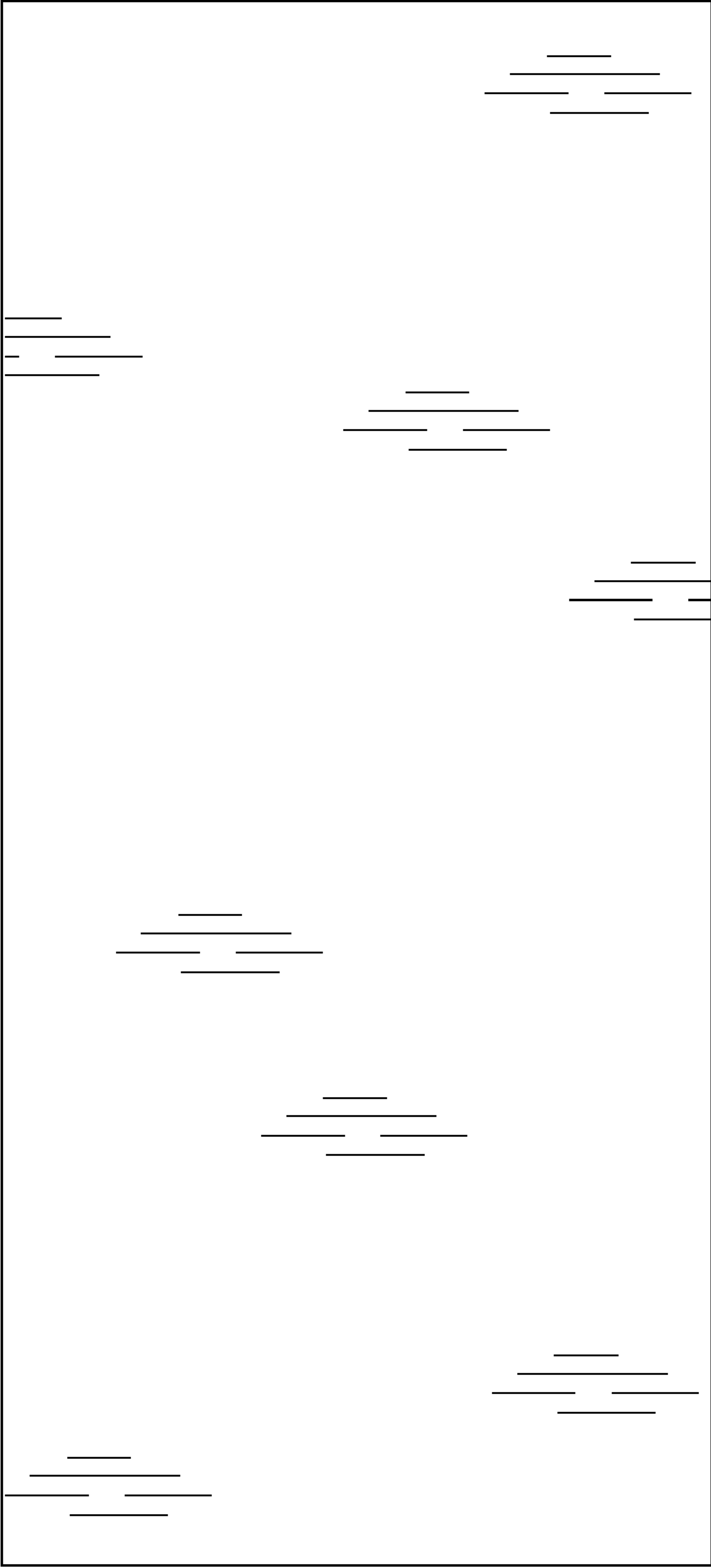


Fig. 13

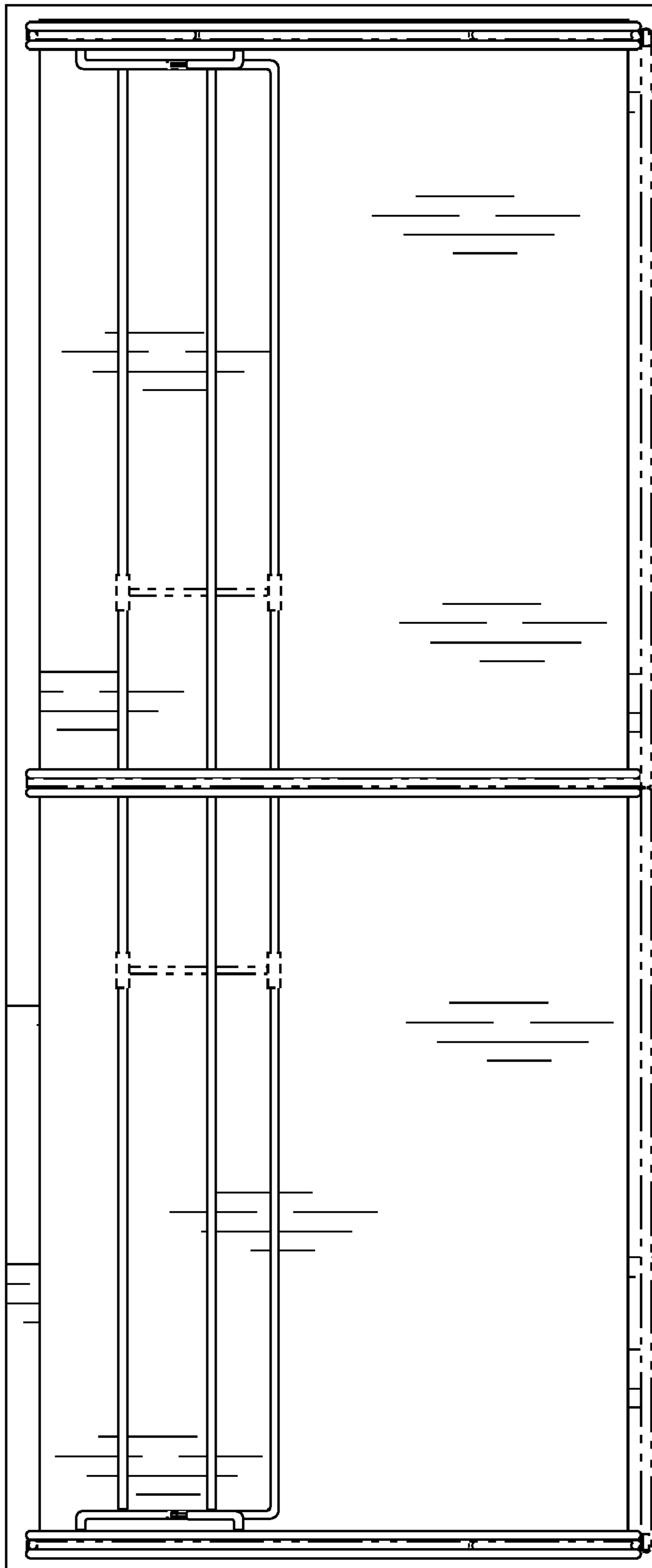


Fig. 14