



US00D616224S

(12) **United States Design Patent**
Dye

(10) **Patent No.:** **US D616,224 S**

(45) **Date of Patent:** **** May 25, 2010**

(54) **DISPLAY TRAY**

2008/0257780 A1* 10/2008 Bancroft et al. 206/769

(75) Inventor: **Robert George Dye**, Montebello, NY
(US)

* cited by examiner

(73) Assignee: **International Paper Company**,
Memphis, TN (US)

Primary Examiner—Elizabeth A Albert

Assistant Examiner—Kelley A Donnelly

(74) *Attorney, Agent, or Firm*—Thomas W. Ryan, III

(**) Term: **14 Years**

(57) **CLAIM**

(21) Appl. No.: **29/350,361**

The ornamental design for a display tray, as shown and described.

(22) Filed: **Nov. 16, 2009**

DESCRIPTION

(51) **LOC (9) Cl.** **06-04**

(52) **U.S. Cl.** **D6/476; D3/304**

(58) **Field of Classification Search** D6/470,
D6/476, 422, 475, 407–408, 575–577, 511;
D3/304, 301, 201; 206/524, 524.1; 211/59.2,
211/126.1, 126.14

See application file for complete search history.

FIG. 1 is a perspective view of a display tray according to the invention;

FIG. 2 is a perspective view thereof, showing an insert;

FIG. 3 is an exploded view thereof;

FIG. 4 is a top plan view thereof;

FIG. 5 is a front elevational view thereof;

FIG. 6 is a bottom plan view thereof;

FIG. 7 is a rear elevational view thereof;

FIG. 8 is a left side elevational view thereof;

FIG. 9 is a right side elevational view thereof;

FIG. 10 is a cross sectional view thereof, taken along lines 10—10 of FIG. 4; and,

FIG. 11 is a cross sectional view thereof, taken along lines 11—11 of FIG. 8.

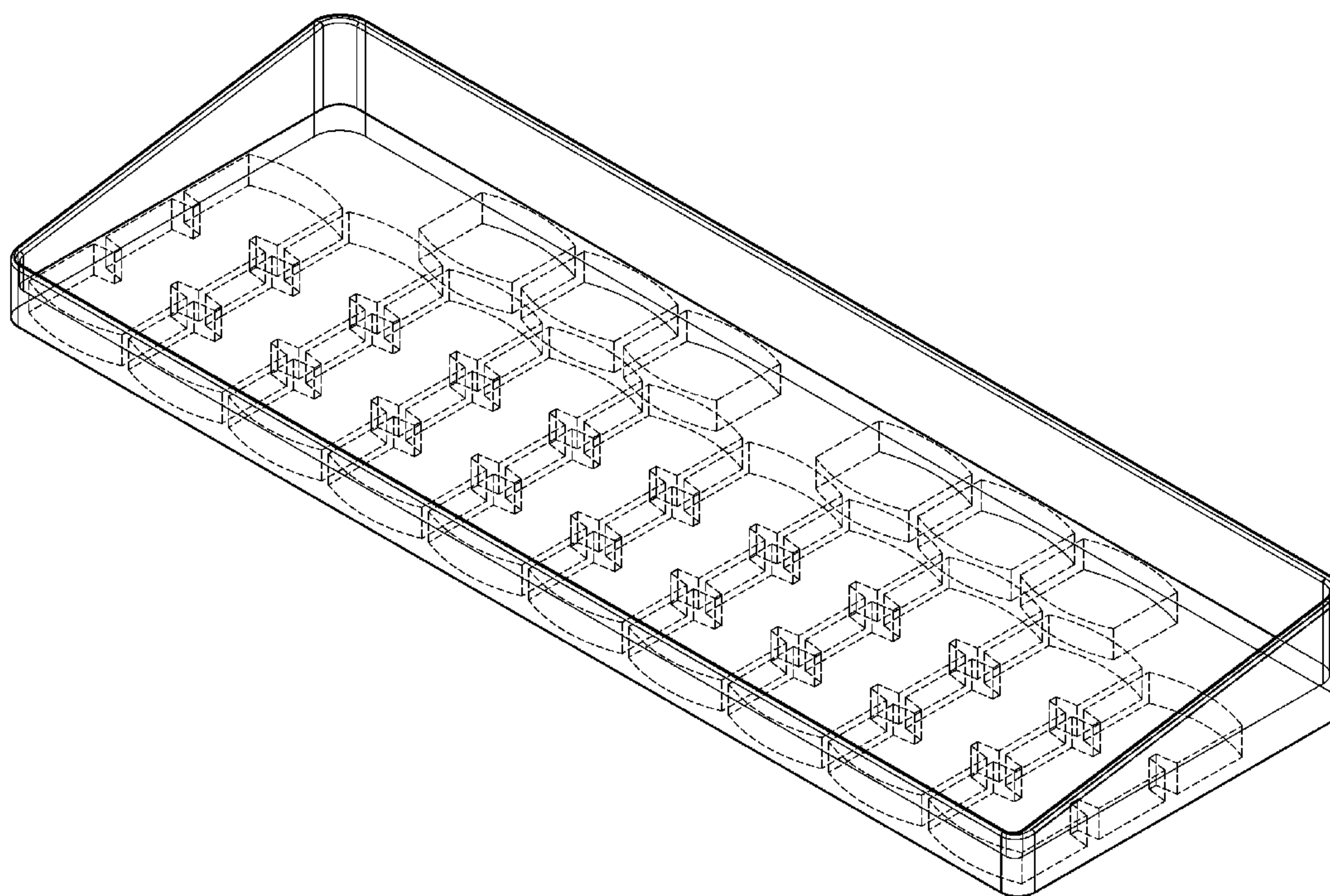
The broken lines are shown for illustrating environment and form no part of the claimed design.

(56) **References Cited**

U.S. PATENT DOCUMENTS

D362,924 S	*	10/1995	Mers	D28/61
D382,956 S	*	8/1997	Collins	D23/420
D420,798 S	*	2/2000	Belokin et al.	D3/304
D455,460 S	*	4/2002	Cheris et al.	D19/92
D518,638 S	*	4/2006	Nudo	D3/304
D519,751 S	*	5/2006	Etter	D6/449
D530,918 S	*	10/2006	Snell	D3/304
D559,595 S	*	1/2008	Sellars	D6/511
D578,760 S	*	10/2008	Brown et al.	D3/304
D591,510 S	*	5/2009	Auer et al.	D3/304
D594,230 S	*	6/2009	Barkdoll et al.	D3/304
2007/0205167 A1	*	9/2007	Belokin et al.	211/75

1 Claim, 6 Drawing Sheets



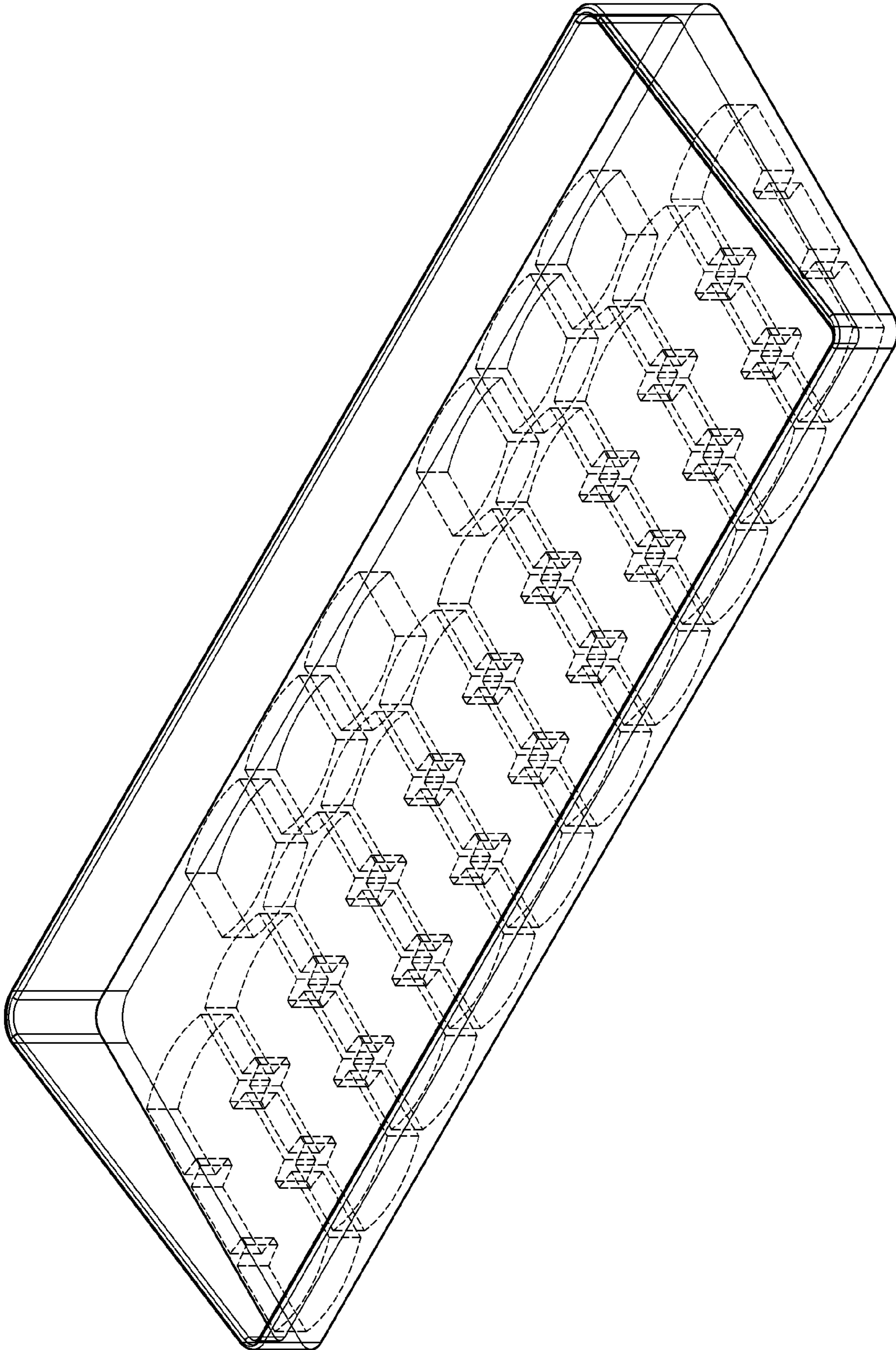


FIG. 1

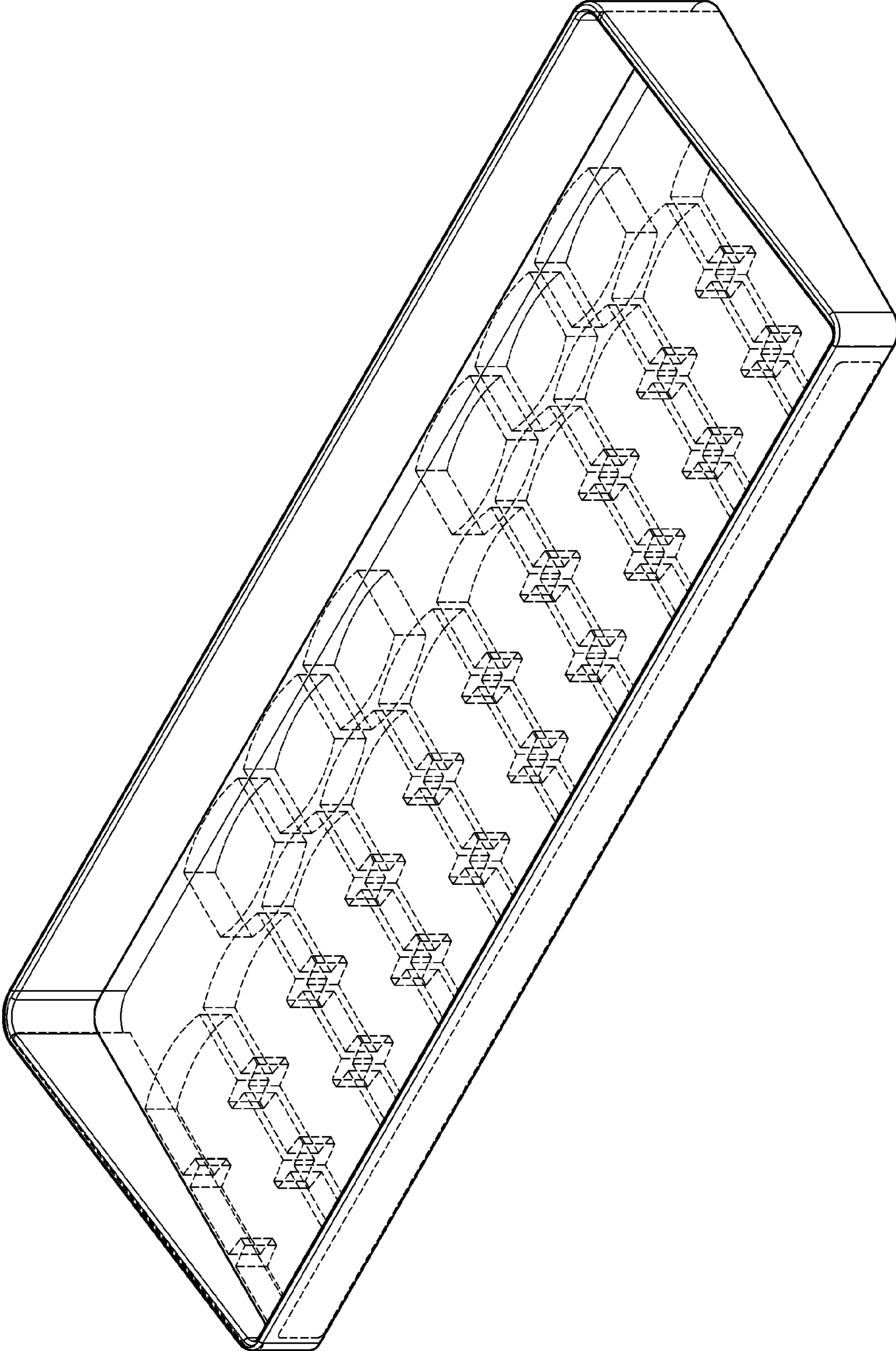


FIG. 2

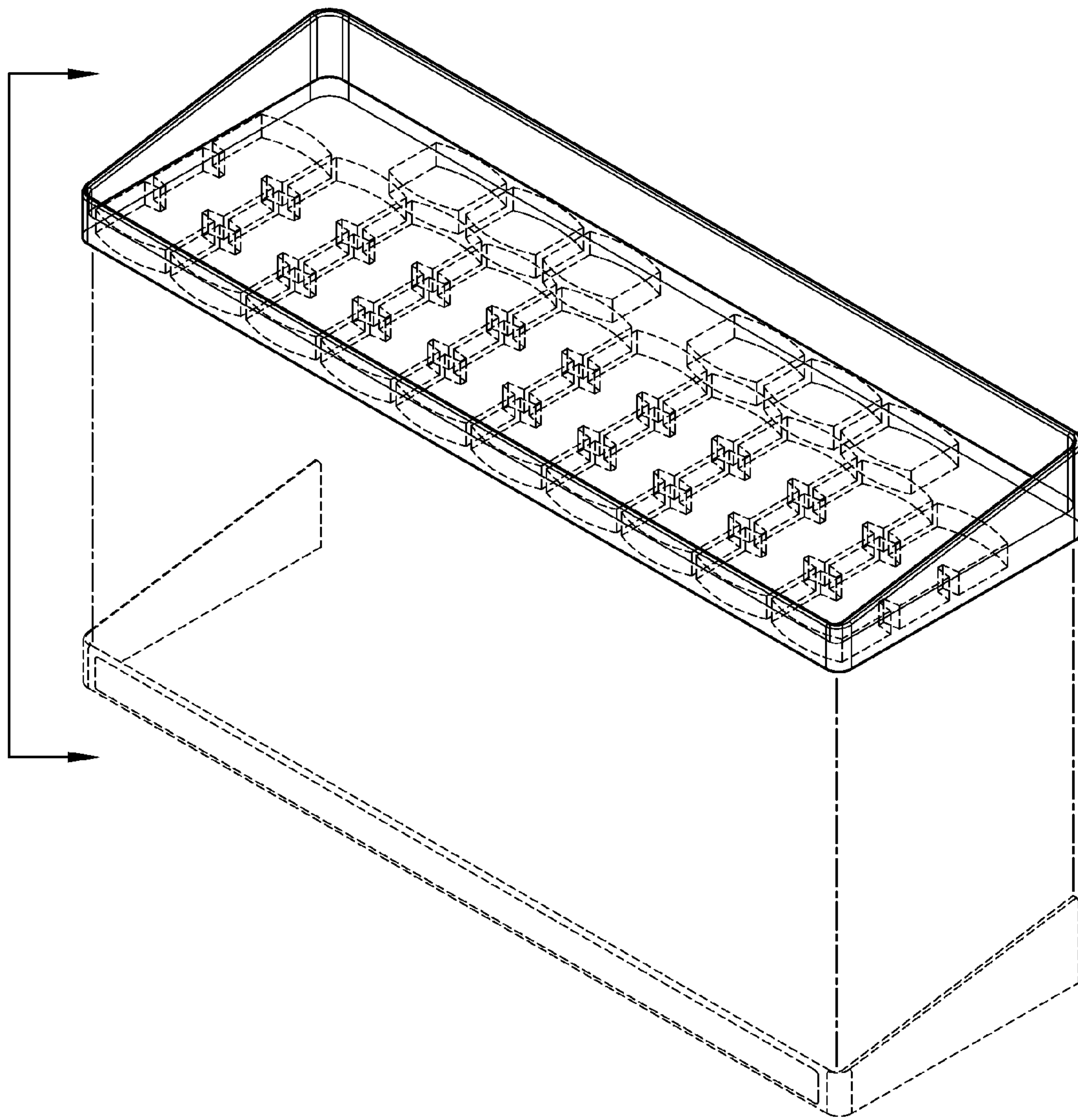


FIG. 3

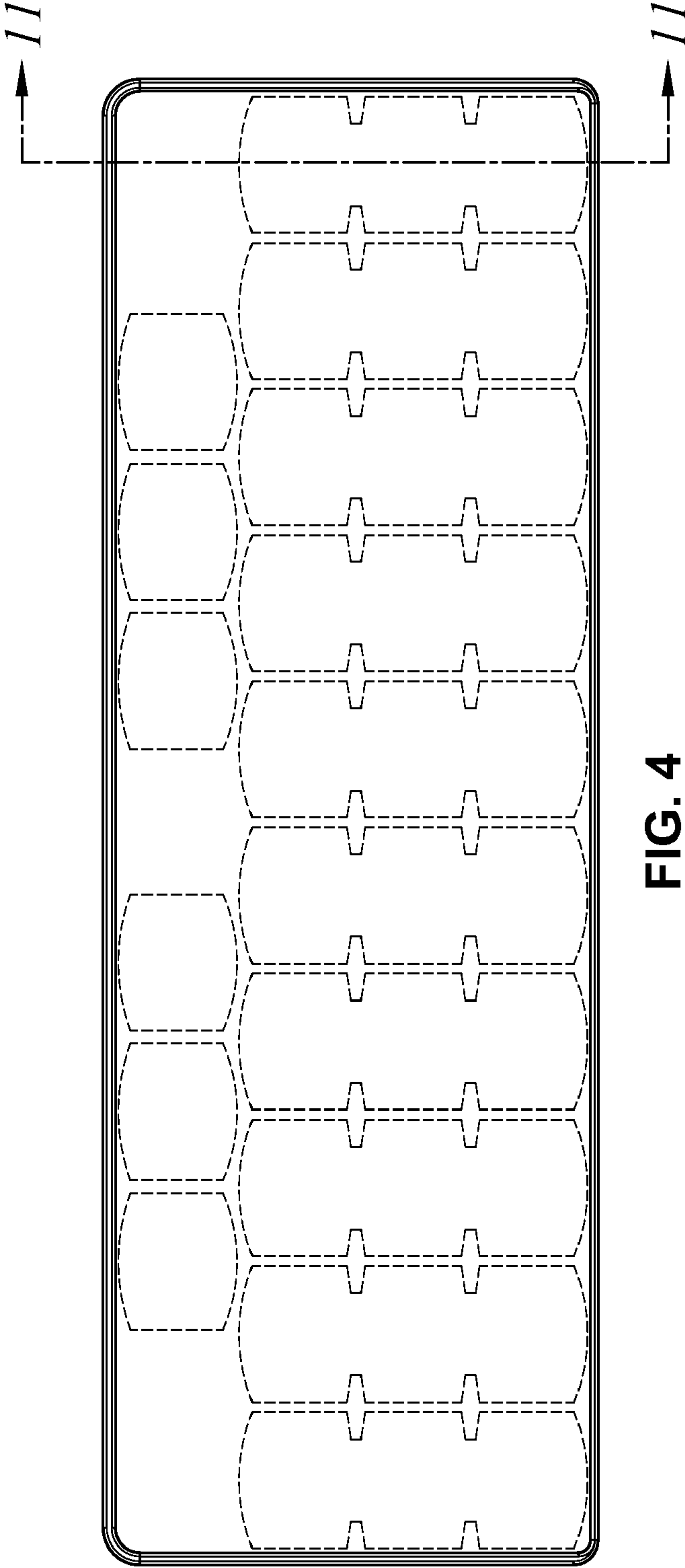


FIG. 4

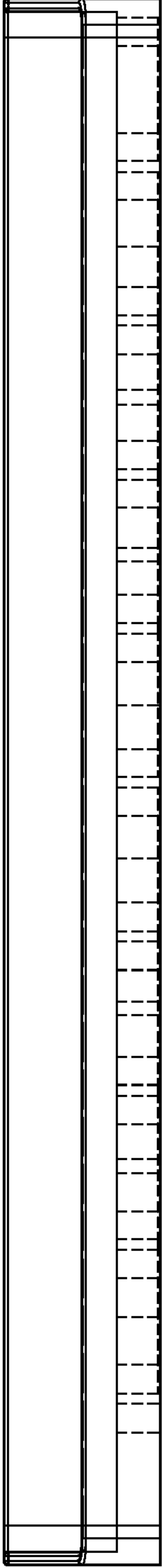


FIG. 5

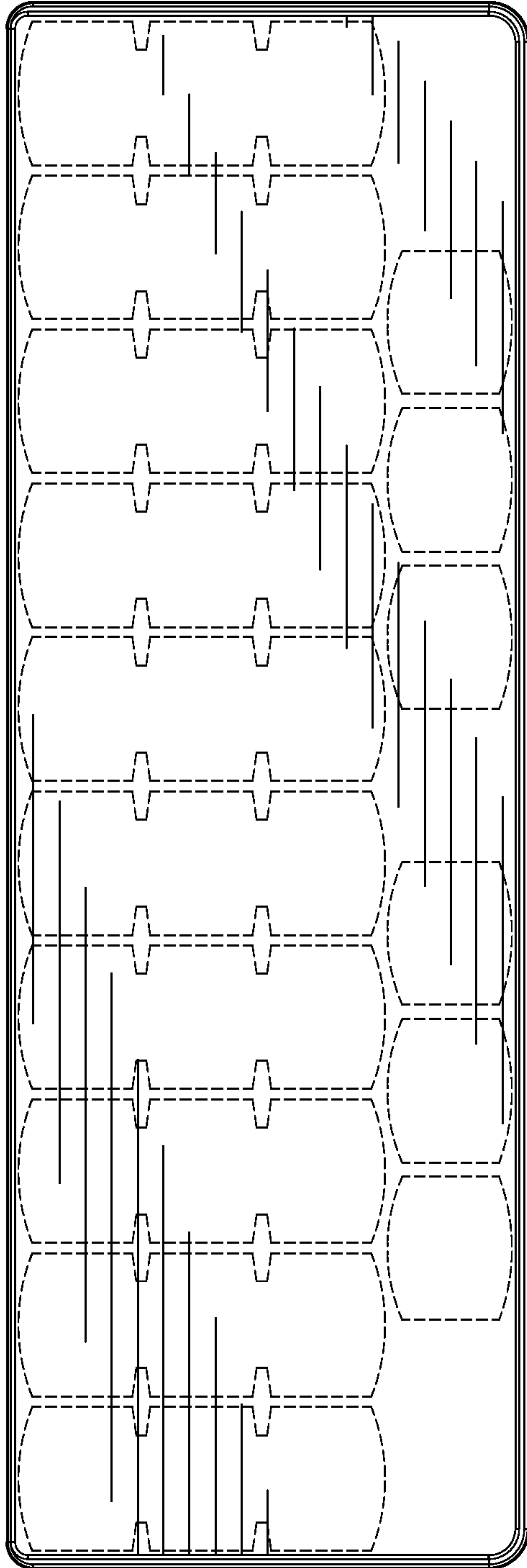


FIG. 6

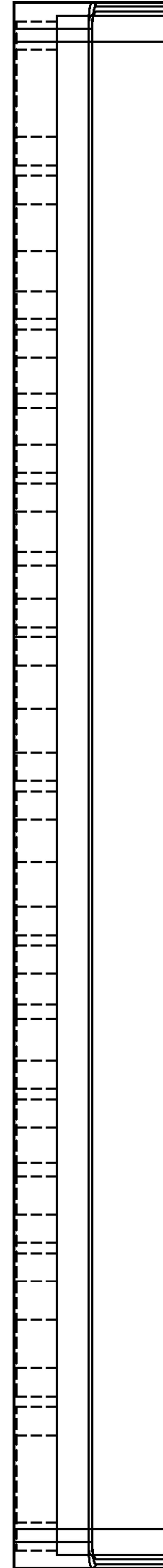


FIG. 7

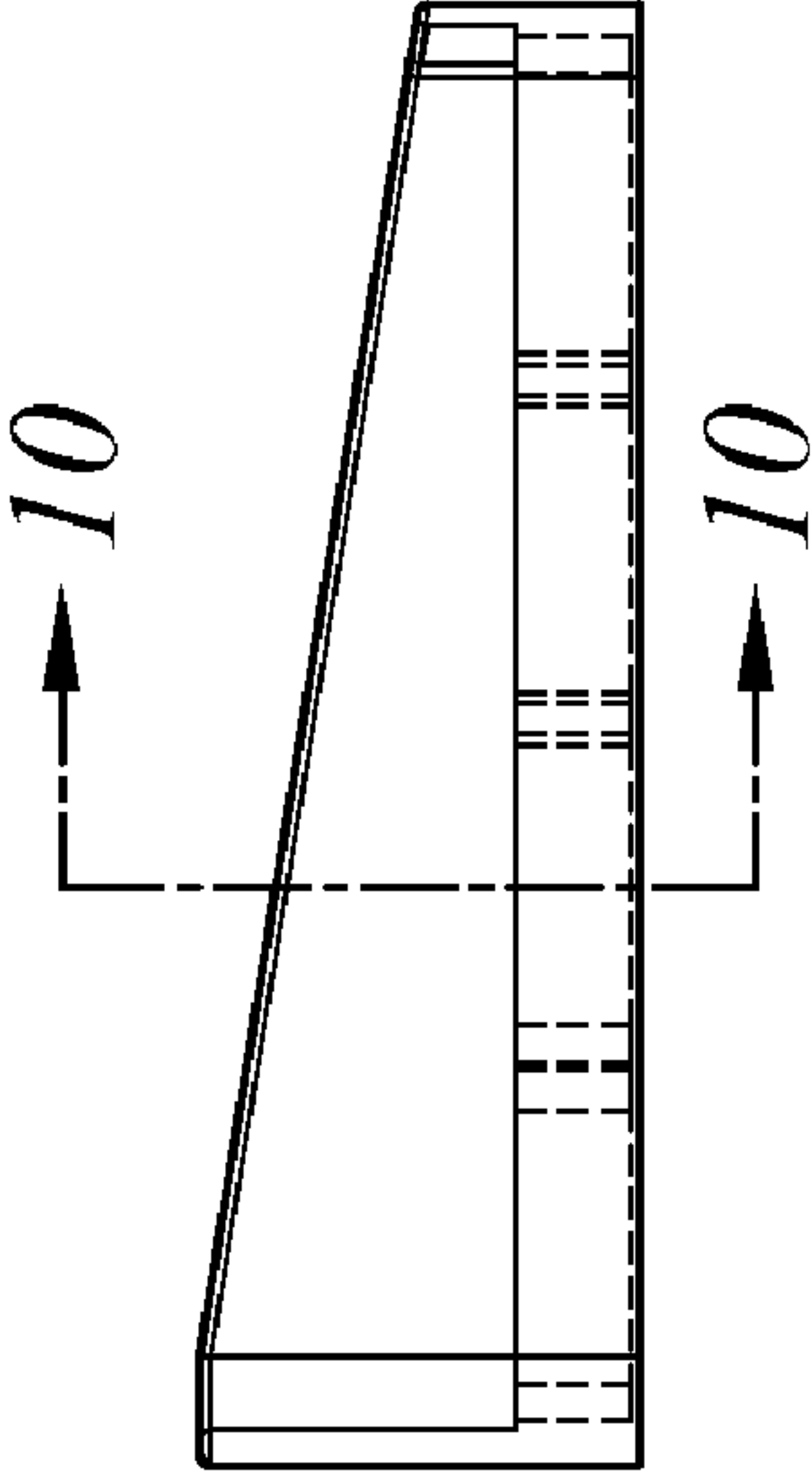


FIG. 8

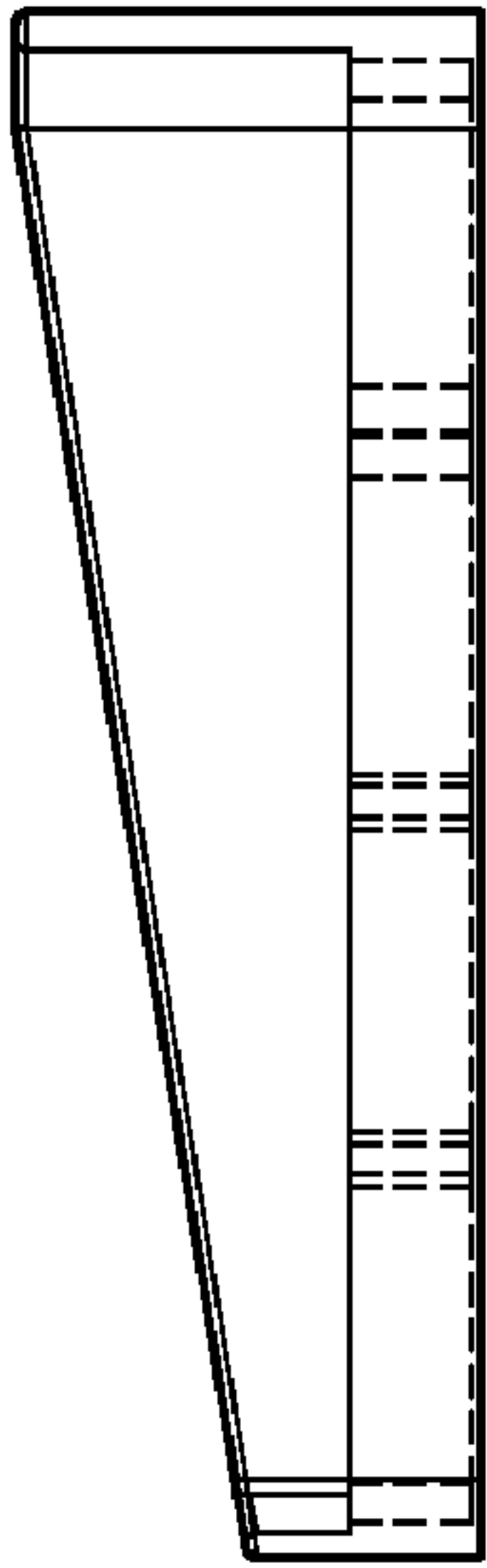


FIG. 9

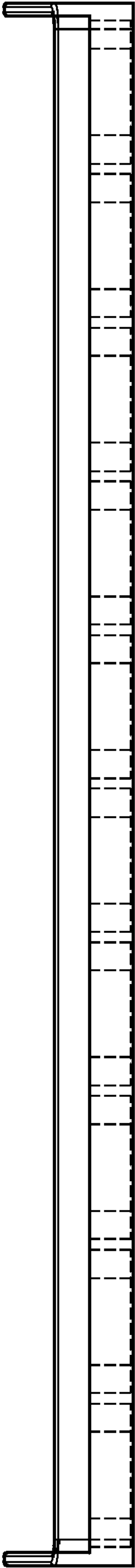


FIG. 10

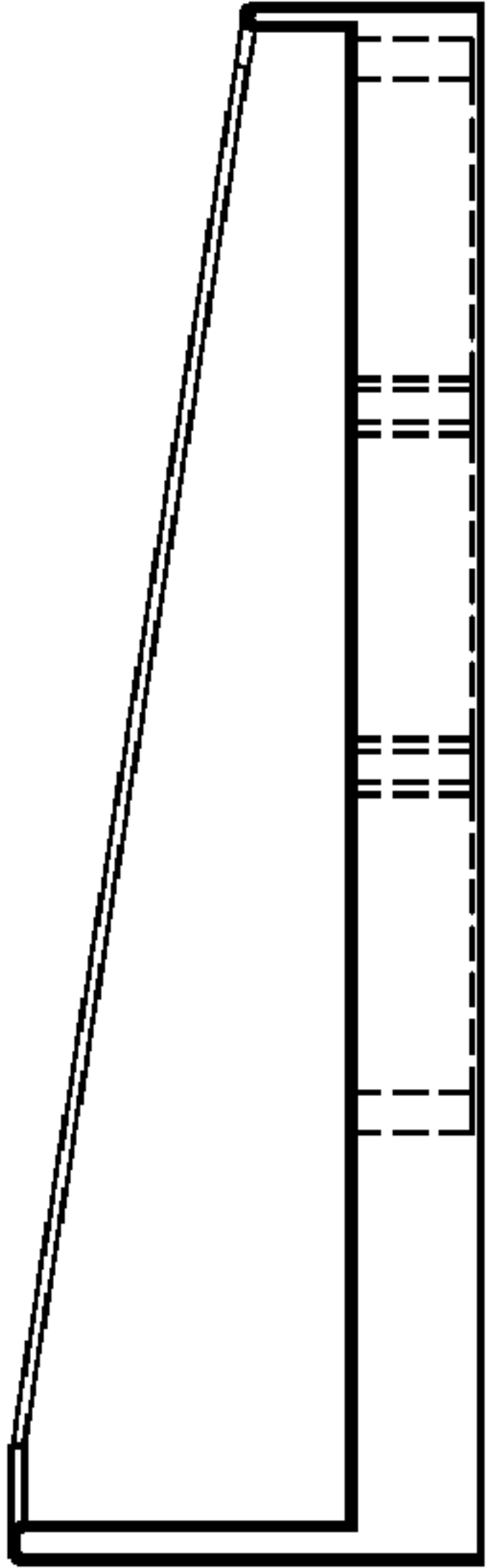


FIG. 11