



US00D616222S

(12) **United States Design Patent**
Kohler

(10) **Patent No.:** **US D616,222 S**

(45) **Date of Patent:** **** May 25, 2010**

(54) **GAMING TOWER CONSOLE**

(75) Inventor: **Paul Albert Kohler**, Seattle, WA (US)

(73) Assignee: **Slam Brands, Inc.**, Redmond, WA (US)

(**) Term: **14 Years**

(21) Appl. No.: **29/341,305**

(22) Filed: **Aug. 3, 2009**

(51) **LOC (9) Cl.** **06-04**

(52) **U.S. Cl.** **D6/457**

(58) **Field of Classification Search** D6/457,
D6/449, 630, 476, 477, 479, 407, 467, 629,
D6/462-466, 450, 453; 211/40, 41.18, 189,
211/41.12, 194, 188, 41.4, 42, 59.3, 181.1;
248/162.1; D21/501; 206/309, 832, 307,
206/307.1

See application file for complete search history.

(56) **References Cited**

U.S. PATENT DOCUMENTS

D324,141	S	*	2/1992	Wu	D6/457
5,314,077	A	*	5/1994	Theosabrata	211/40
5,341,943	A	*	8/1994	Fraser	211/40
D368,814	S	*	4/1996	Riback et al.	D6/477
D385,589	S	*	10/1997	Rasmussen et al.	D21/501
5,788,088	A	*	8/1998	Kao	211/40
5,984,115	A	*	11/1999	Koestenblatt et al.	211/40
D435,189	S	*	12/2000	Mok	D6/630
D464,841	S	*	10/2002	Chow et al.	D6/630
D470,003	S	*	2/2003	Kwok	D6/630

6,536,608	B2	*	3/2003	Buckley	211/41.18
6,789,686	B2	*	9/2004	Bennett et al.	211/40
D507,146	S	*	7/2005	Chow et al.	D6/630
D528,341	S	*	9/2006	Lau	D6/630

* cited by examiner

Primary Examiner—Philip S Hyder

Assistant Examiner—Sydney R Buffalow

(74) *Attorney, Agent, or Firm*—Graham & Dunn PC;
Kathleen T. Petrich

(57) **CLAIM**

The ornamental design for a gaming tower console, as shown and described.

DESCRIPTION

FIG. 1 is a perspective view of a gaming tower console showing my new design, wherein the placement of the logo or other indicia are shown in broken lines for illustrative purposes only and form no part of the claimed design.

FIG. 2 is a left side elevation view thereof;

FIG. 3 is a right side elevation view thereof;

FIG. 4 is a front view thereof;

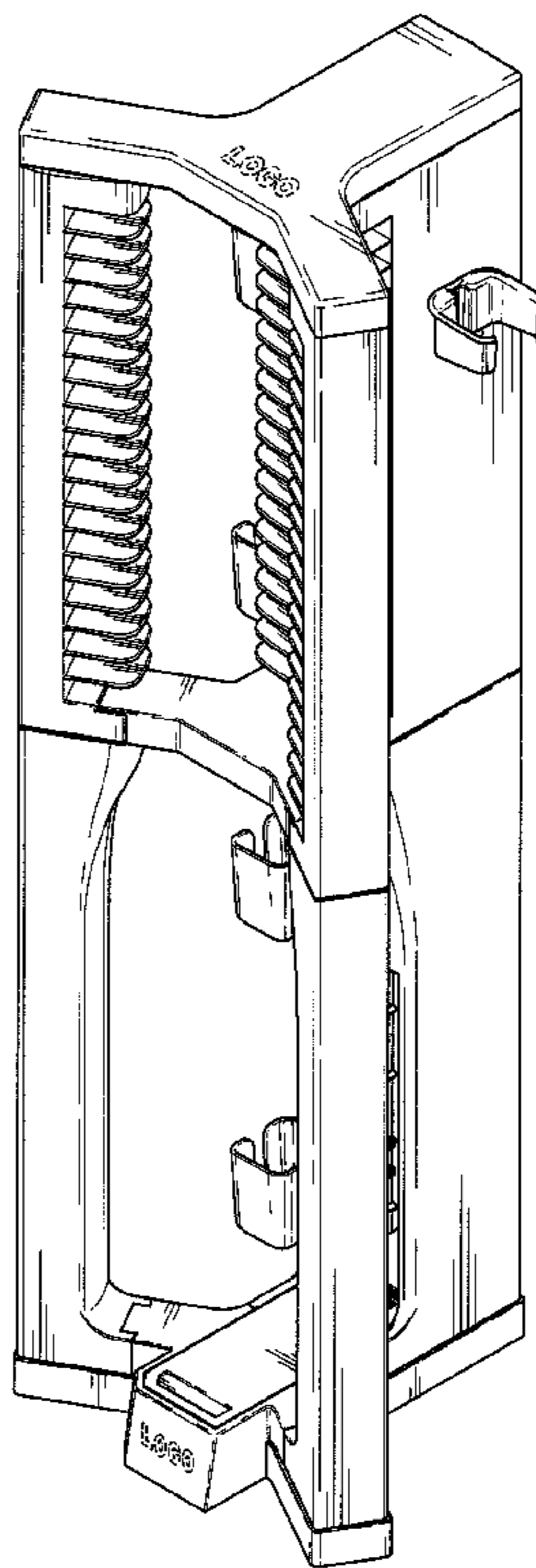
FIG. 5 is a rear view thereof;

FIG. 6 is a top plan view thereof; and,

FIG. 7 is a bottom view thereof.

The broken lines are for illustrative purposes only and form no part of the claimed design.

1 Claim, 4 Drawing Sheets



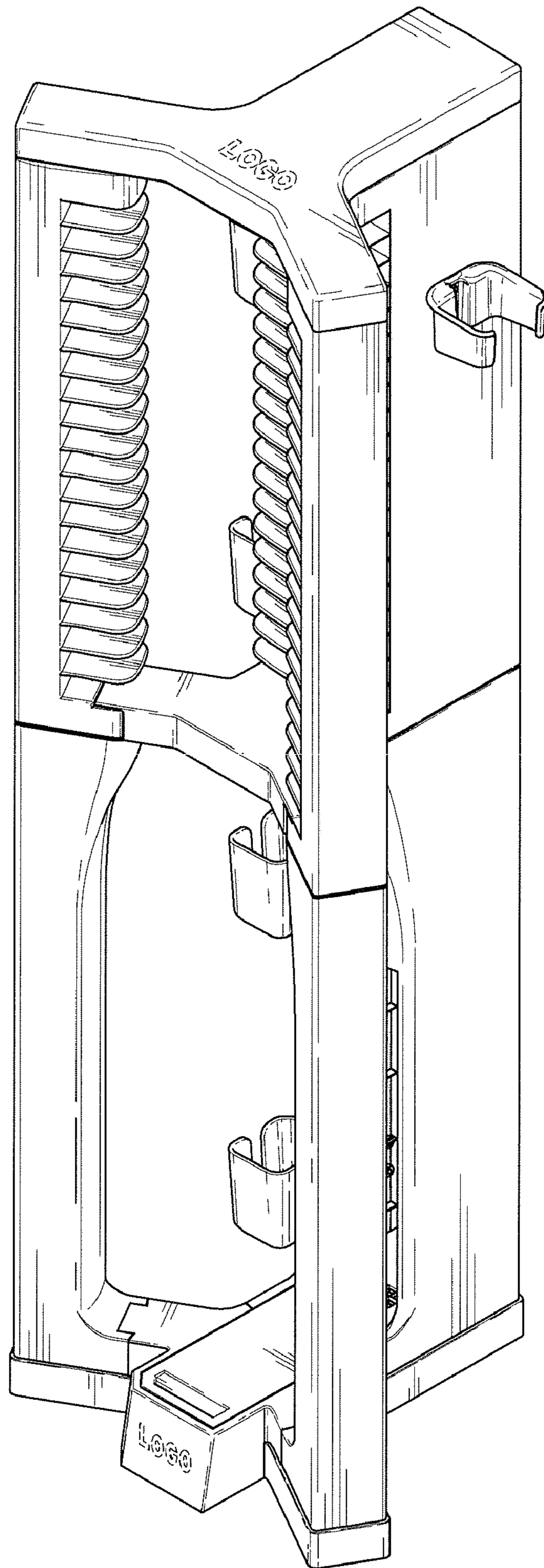


Fig. 1

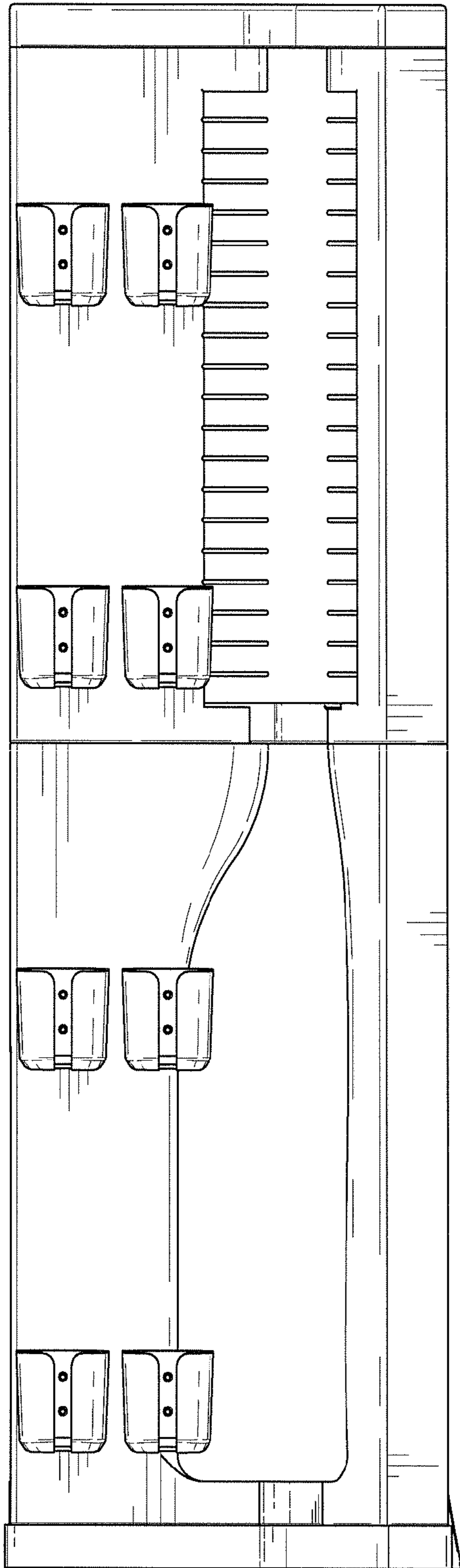


Fig. 2

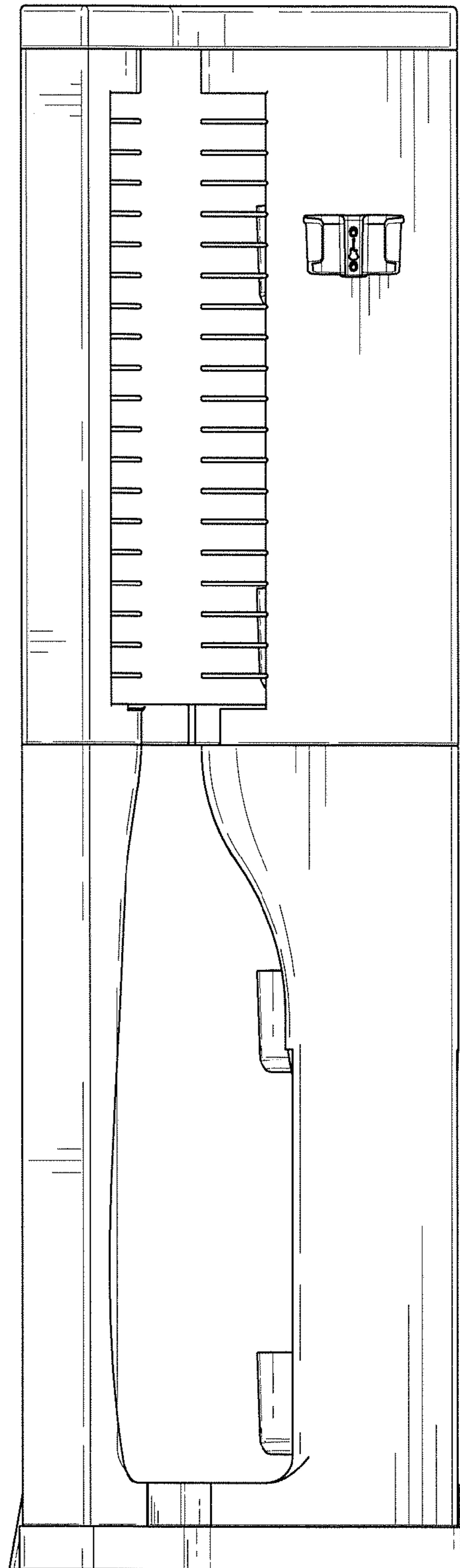


Fig. 3

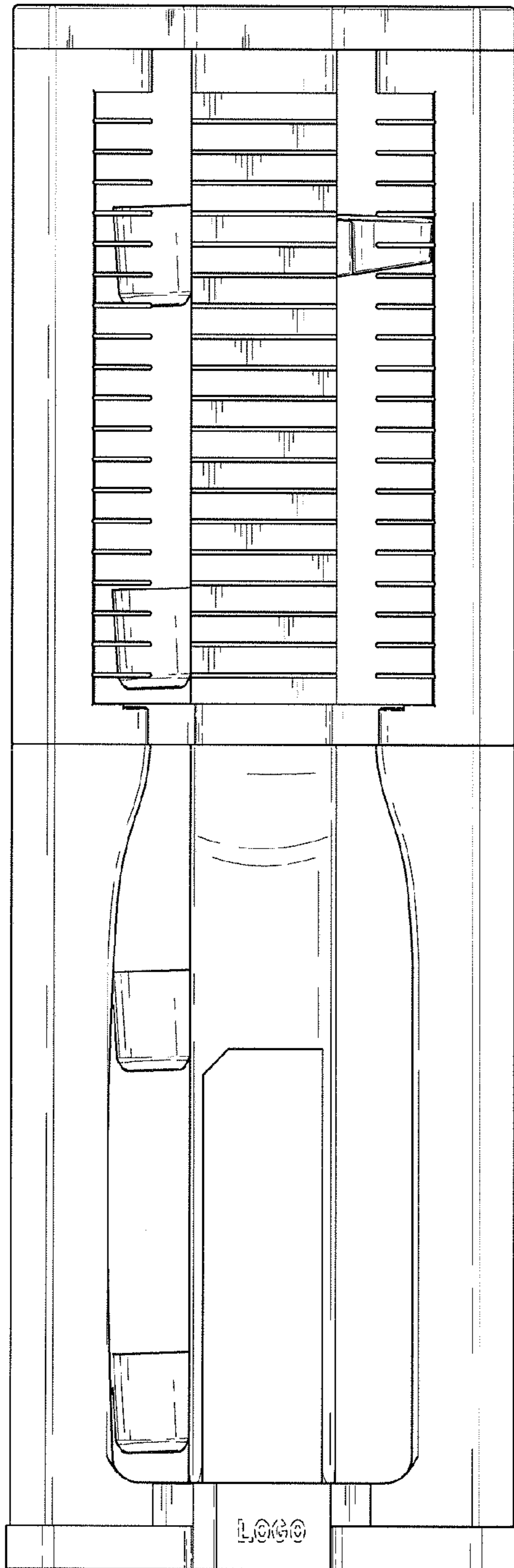


Fig. 4

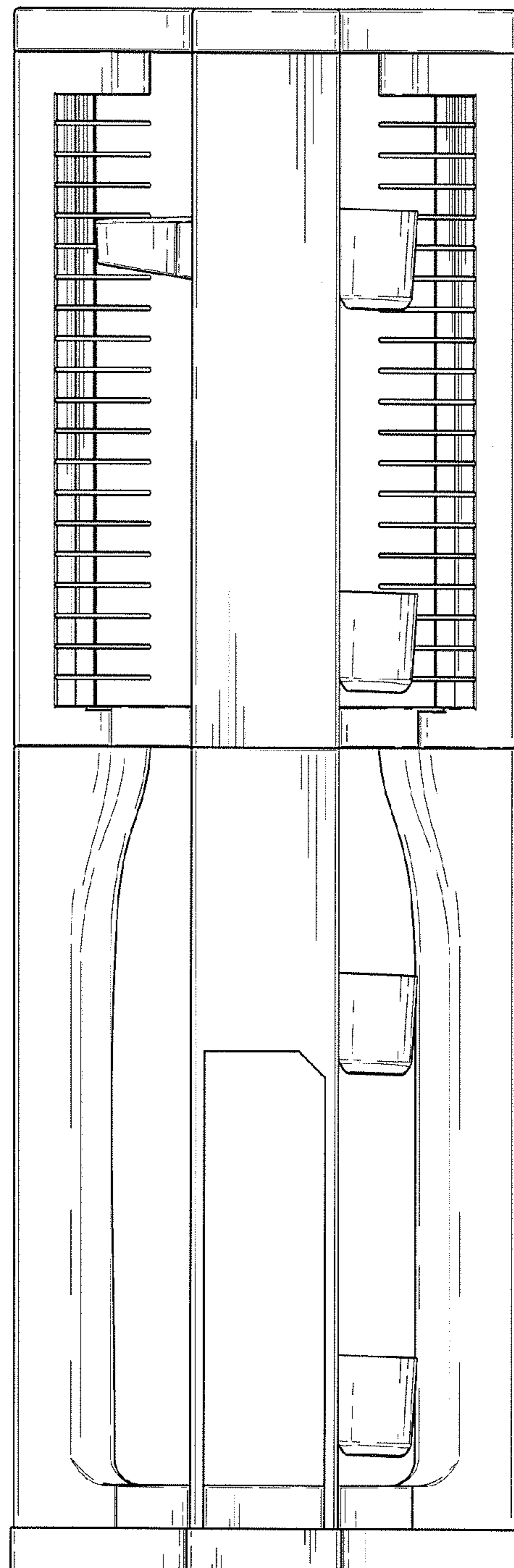


Fig. 5

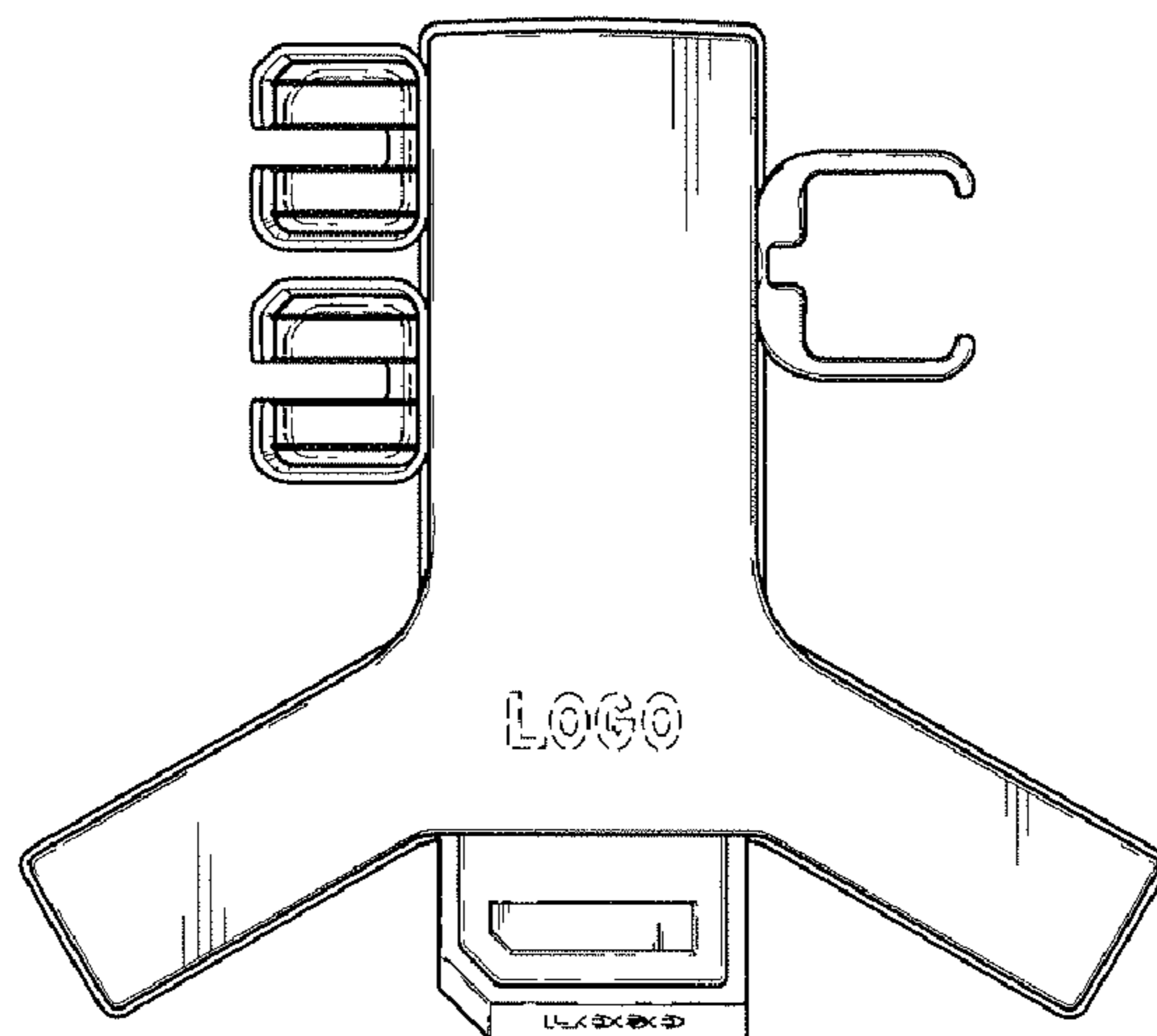


Fig. 6

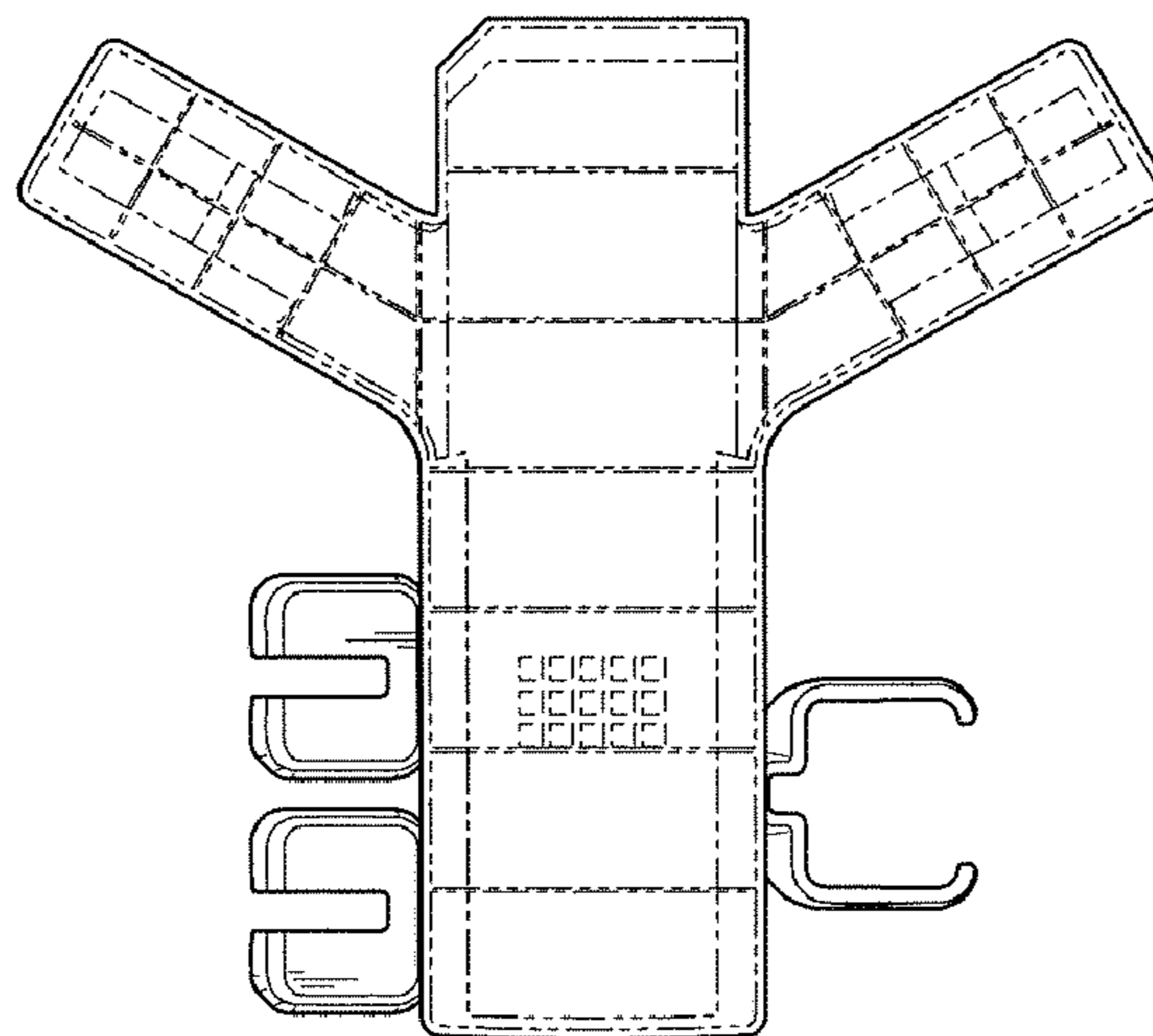


Fig. 7