



US00D616217S

(12) **United States Design Patent**
Abel et al.

(10) **Patent No.:** **US D616,217 S**
(45) **Date of Patent:** **** May 25, 2010**

(54) **PORTABLE, MODULAR VOTING BOOTH**

2004/0149177 A1* 8/2004 Gayhart et al. 108/50.02

(76) Inventors: **Gary V. Abel**, 3882 Whitebrook La.,
Ellicott City, MD (US) 21042; **Joseph
Wilson**, 206 Vallis Dr., Spencer, WV
(US) 25276

* cited by examiner

Primary Examiner—Janice E Seeger
(74) *Attorney, Agent, or Firm*—Ober / Kaler; Royal W. Craig

(**) Term: **14 Years**

(57) **CLAIM**

(21) Appl. No.: **29/348,076**

The ornamental design for a portable, modular voting booth,
as shown and described.

(22) Filed: **Nov. 24, 2009**

DESCRIPTION

Related U.S. Application Data

(62) Division of application No. 29/314,871, filed on May
6, 2009, now Pat. No. Des. 603,183.

FIG. 1 is a front-left perspective view of a portable, modular
voting booth according to our new design.

(51) **LOC (9) Cl.** **06-03**

(52) **U.S. Cl.** **D6/421**

FIG. 2 is a right side view of the portable, modular voting
booth as in FIG. 1. The left side view of the portable, modular
voting booth is a mirror image of FIG. 2.

(58) **Field of Classification Search** D6/421-428,
D6/429, 487; 312/194-196, 198; 108/50.01,
108/50.02, 60; 235/51, 50 R; 52/36.1, 36.4
See application file for complete search history.

FIG. 3 is a top view of the portable, modular voting booth as
in FIGS. 1-2.

(56) **References Cited**

U.S. PATENT DOCUMENTS

D176,289 S *	12/1955	Schmacher	D6/421
D191,747 S *	11/1961	Jentzen	D6/421
3,211,506 A *	10/1965	Levy et al.	312/239
D203,121 S *	12/1965	Barecki	D6/421
D221,386 S *	8/1971	Babbs	D6/421

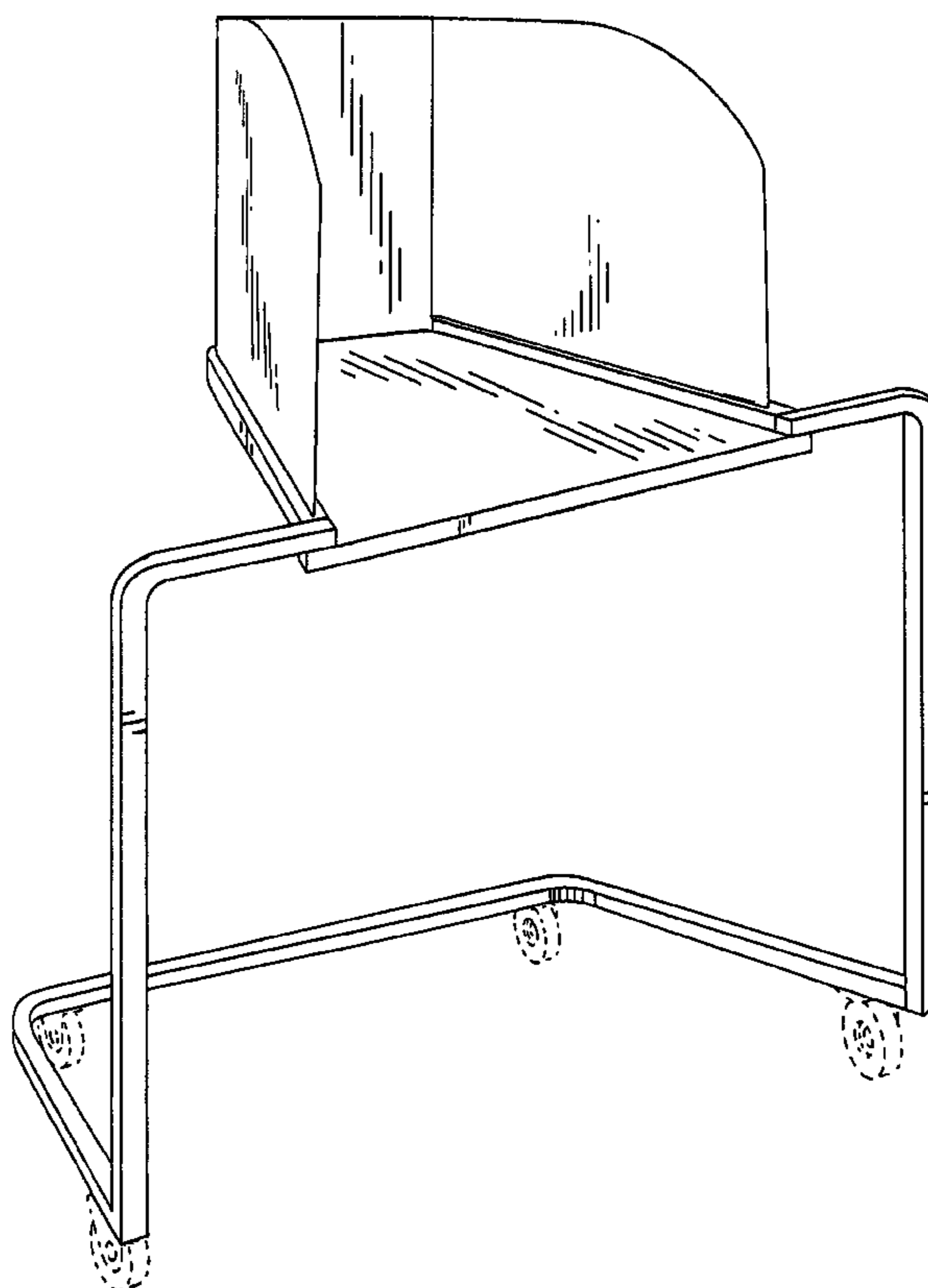
FIG. 4 is a bottom view of the portable, modular voting booth
as in FIGS. 1-3.

FIG. 5 is a front view of the portable, modular voting booth as
in FIGS. 1-4.

FIG. 6 is a back view of the portable, modular voting booth as
in FIGS. 1-5.

The broken lines shown in the drawings are for illustrative
purposes only and form no part of the claimed design.

1 Claim, 5 Drawing Sheets



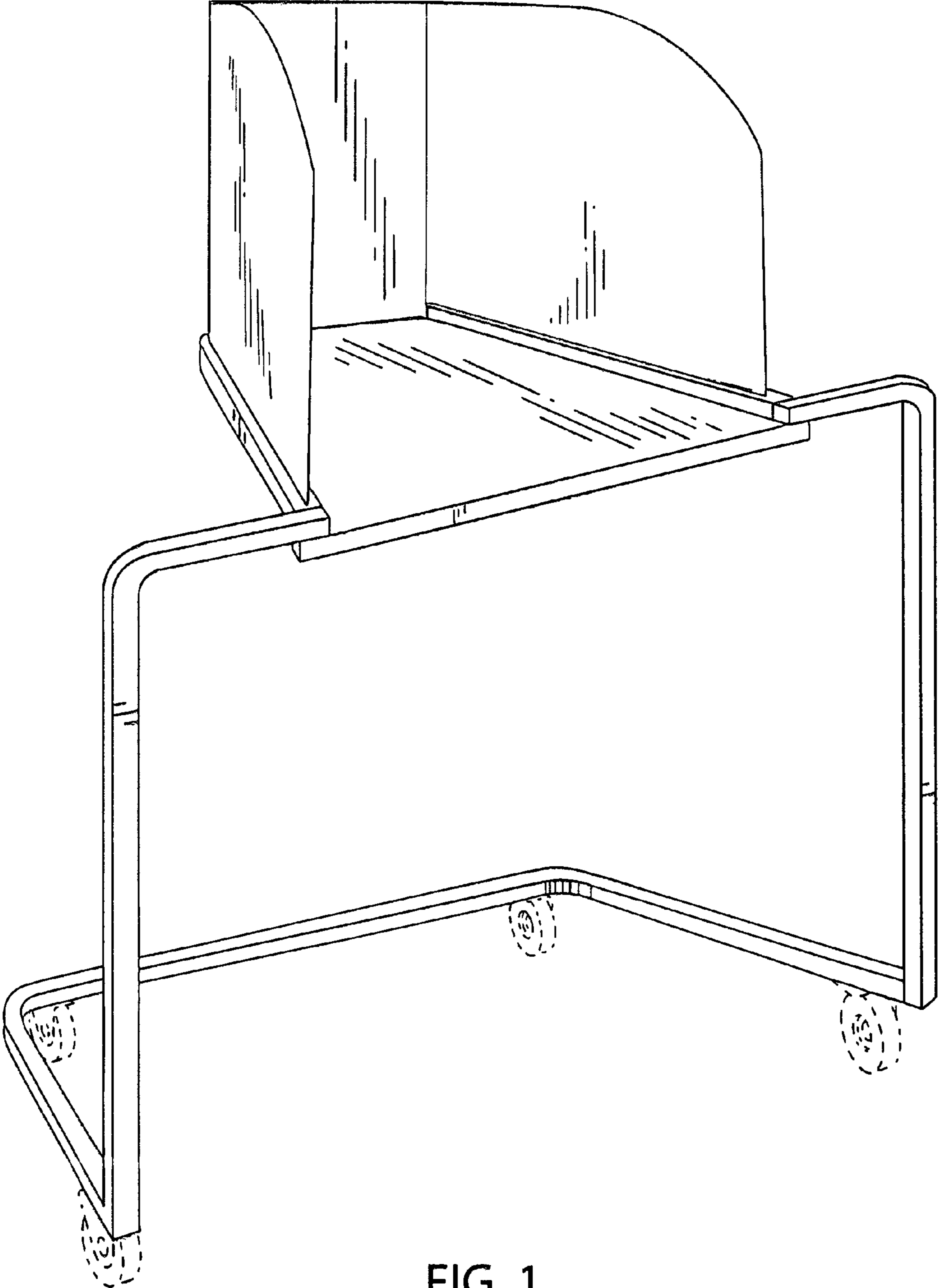


FIG. 1

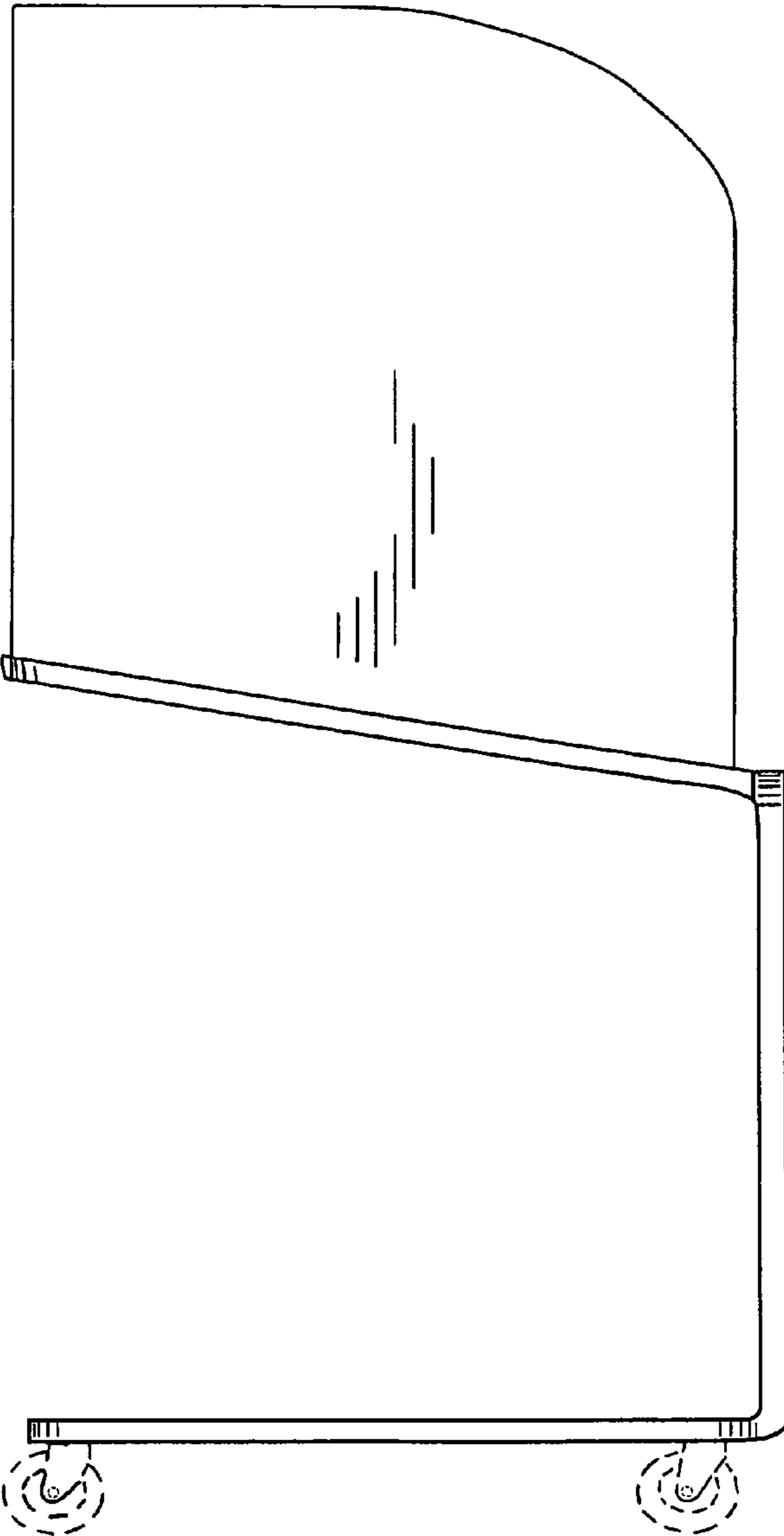


FIG. 2

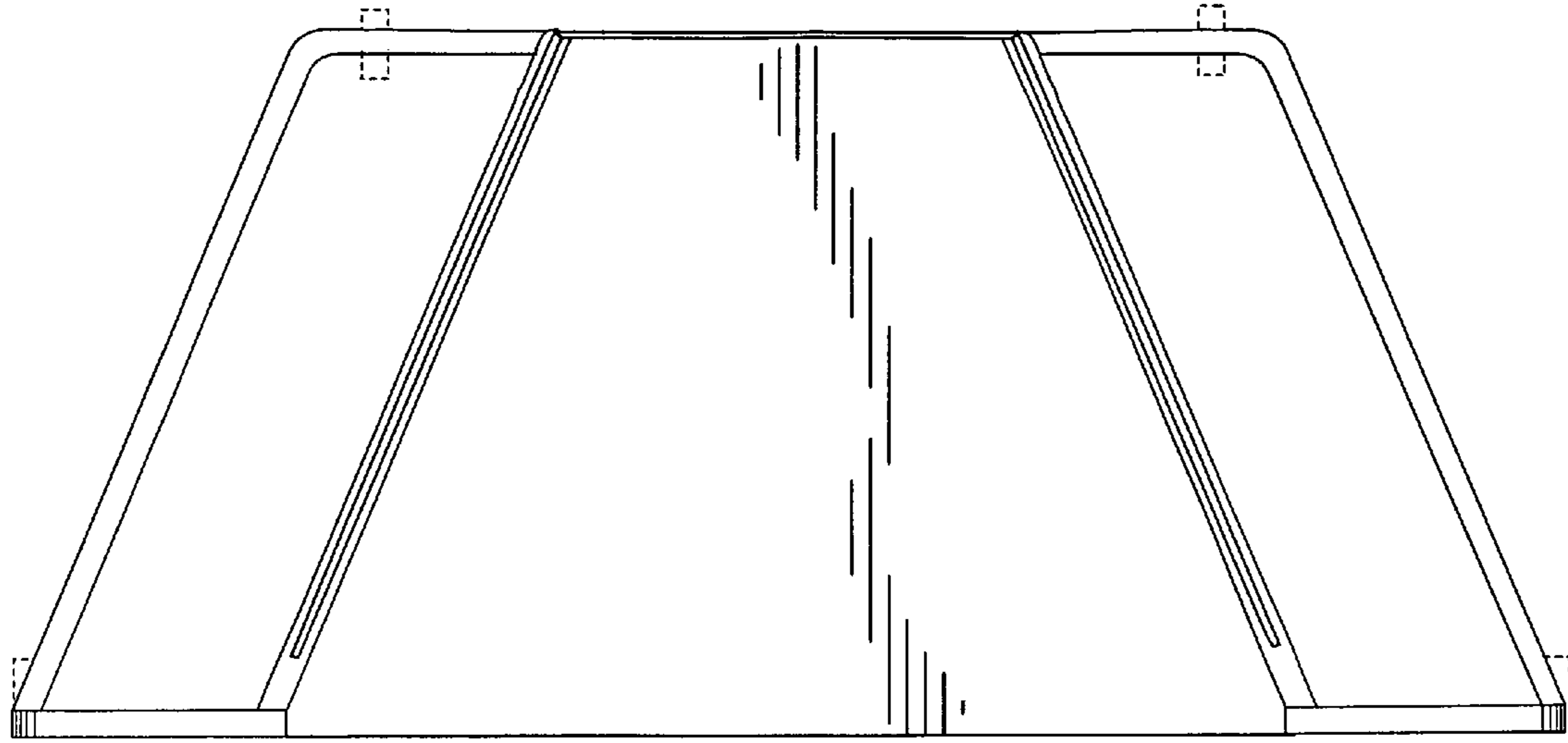


FIG. 3

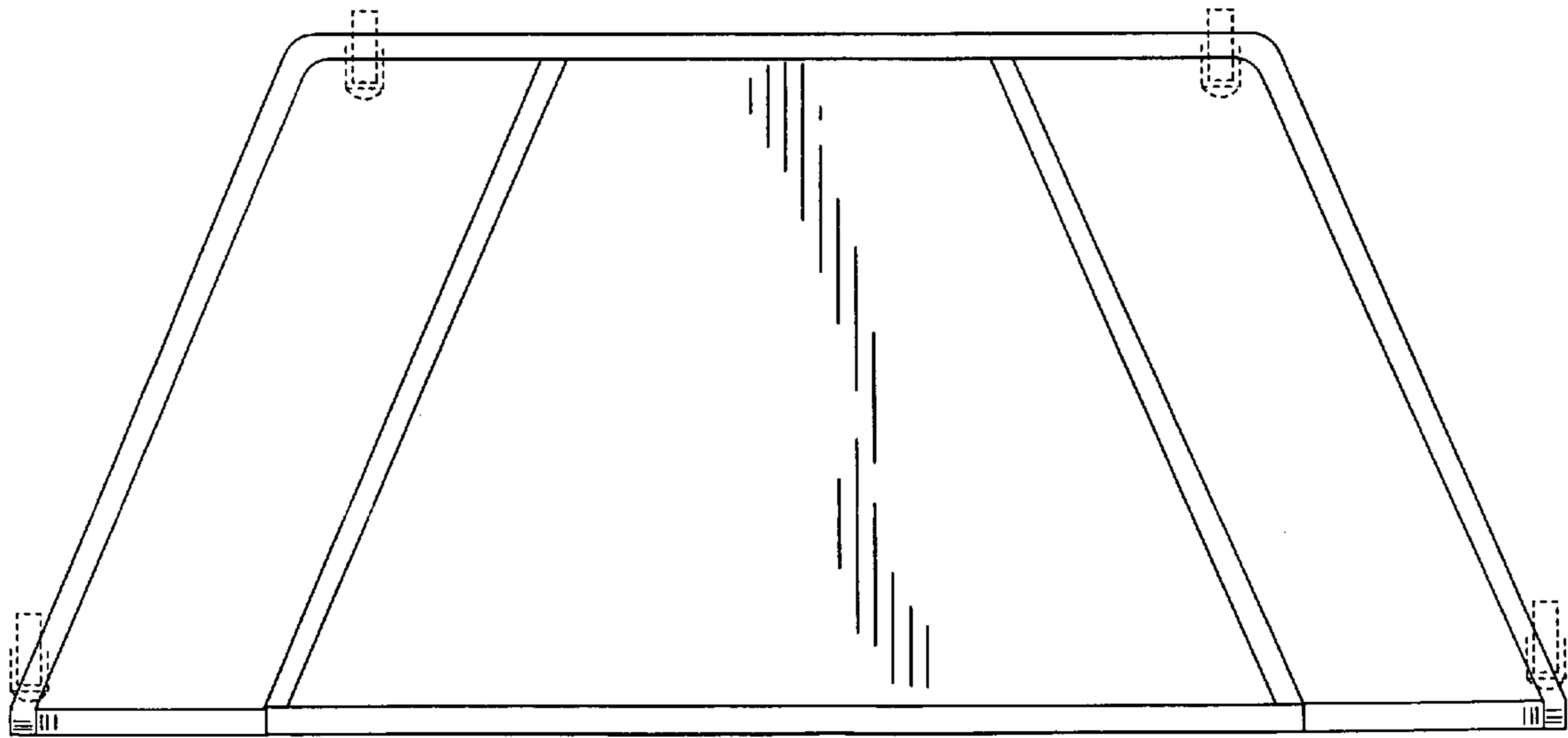


FIG. 4

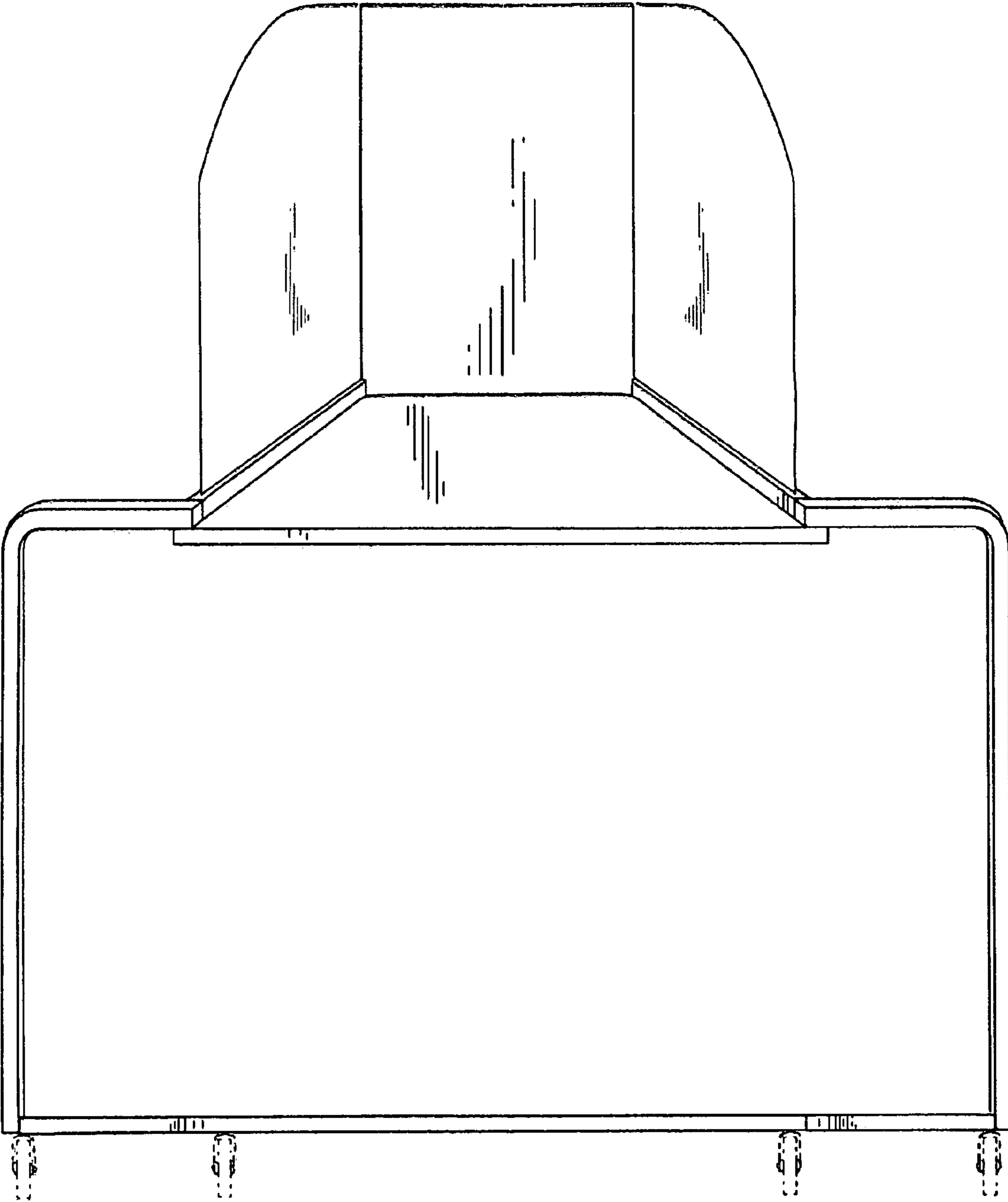


FIG. 5

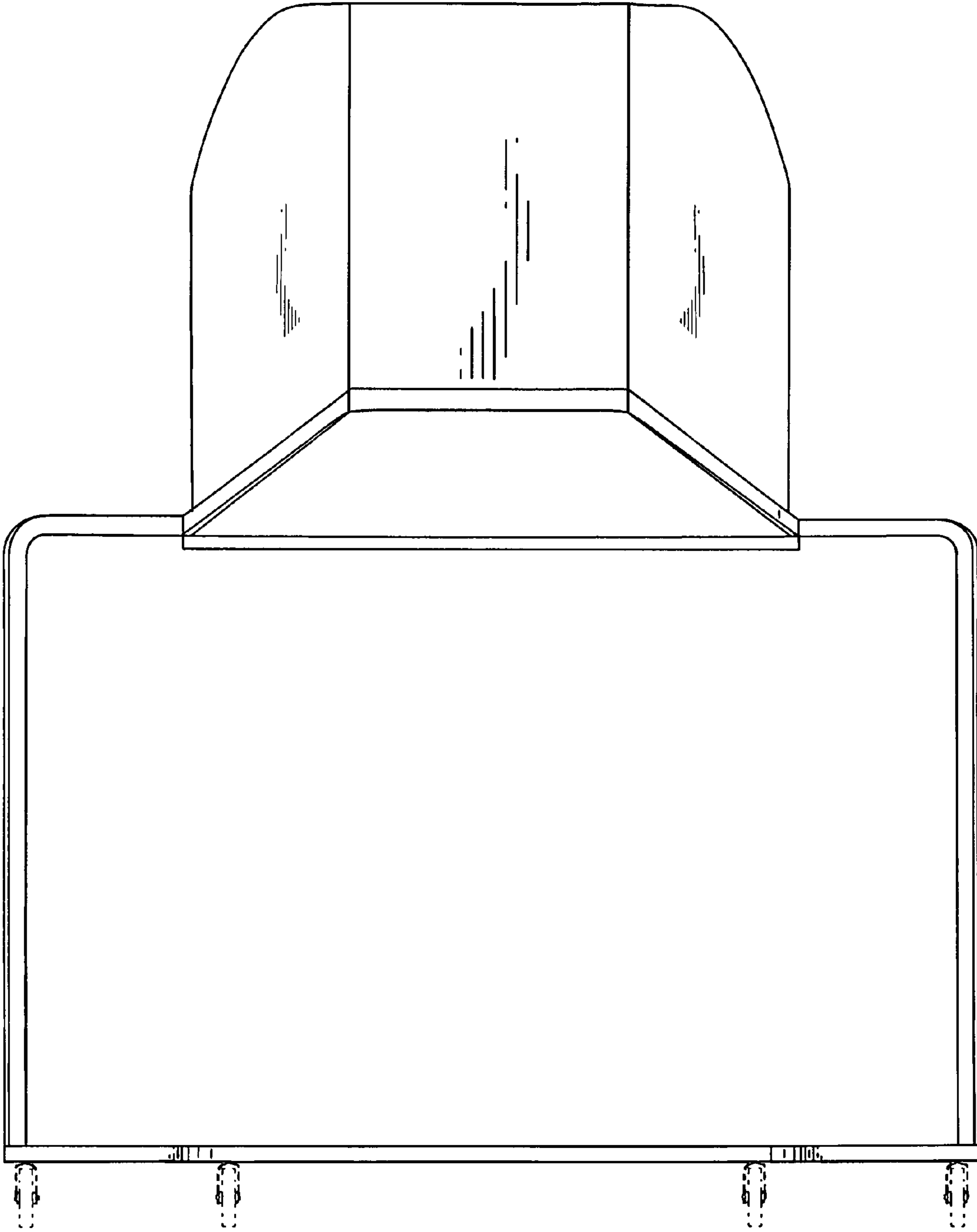


FIG. 6