



US00D616216S

(12) **United States Design Patent**
Dumais

(10) **Patent No.:** **US D616,216 S**

(45) **Date of Patent:** **** May 25, 2010**

(54) **CHILD'S BED**

2005/0217026 A1* 10/2005 Ramirez 5/93.1

(75) Inventor: **Shauntal Natasha Dumais**,
Collingwood (AU)

* cited by examiner

(73) Assignee: **Ubabub Pty Ltd**, Collingwood (AU)

Primary Examiner—Janice E Seeger

(74) *Attorney, Agent, or Firm*—Shlesinger, Arkwright &
Garvey LLP

(**) Term: **14 Years**

(57) **CLAIM**

(21) Appl. No.: **29/311,530**

The ornamental design for a child's bed, as shown and
described.

(22) Filed: **Apr. 14, 2009**

(30) **Foreign Application Priority Data**

DESCRIPTION

Oct. 14, 2008 (AU) 14919/2008

FIG. 1 is a top perspective view of a child's bed, showing my
new design;

(51) **LOC (9) Cl.** **06-02**

FIG. 2 is a bottom perspective view of my child's bed of FIG.
1;

(52) **U.S. Cl.** **D6/390**

(58) **Field of Classification Search** D6/331,
D6/390-391; 5/93.1, 99.1, 98.1, 101, 102
See application file for complete search history.

FIG. 3 is a side view of my child's bed of FIG. 1, the opposite
side view being the same;

FIG. 4 is an end view of my child's bed of FIG. 1, the opposite
end view being the same;

(56) **References Cited**

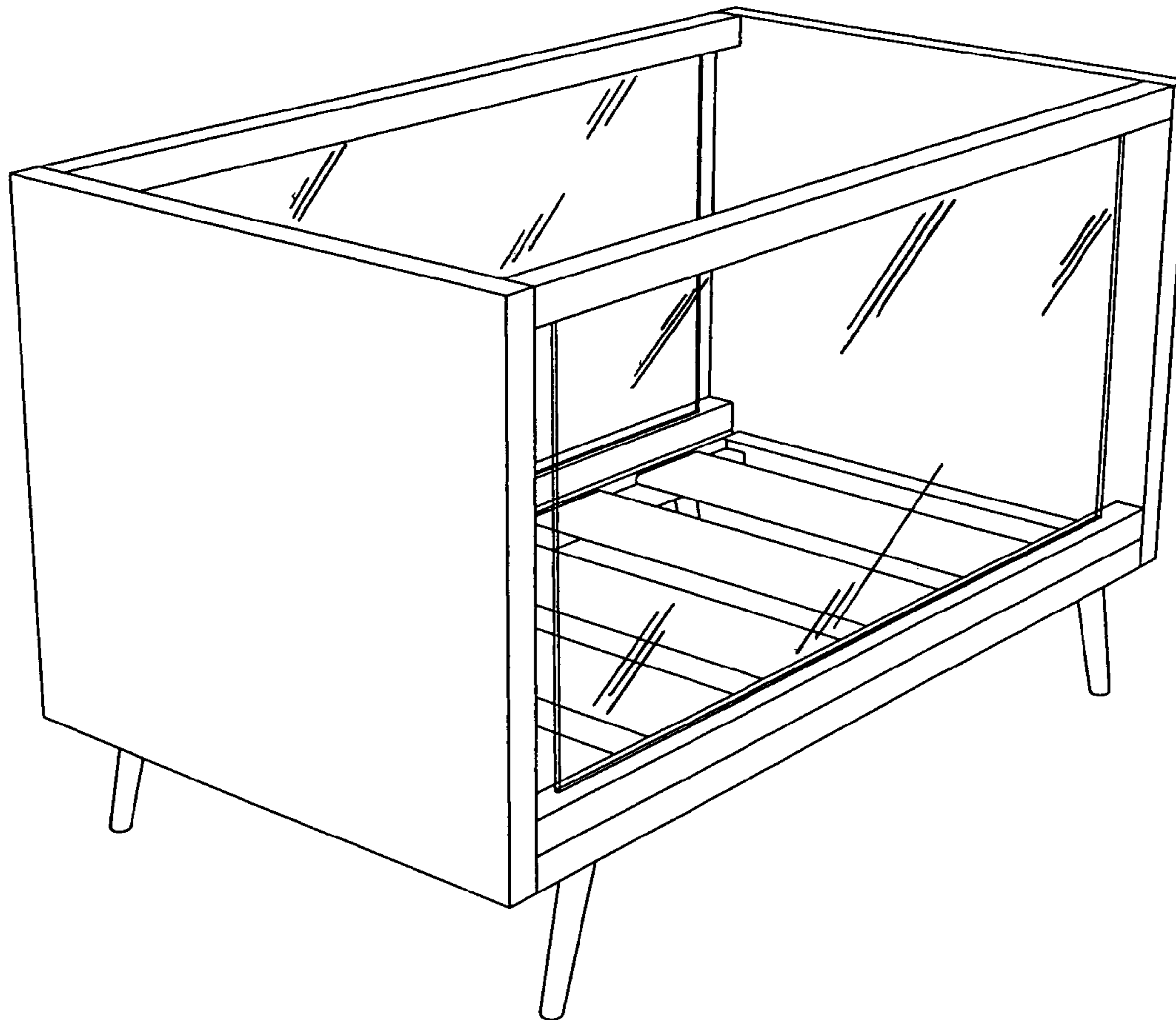
U.S. PATENT DOCUMENTS

2,497,453 A * 2/1950 Hazen 220/4.31
D365,932 S * 1/1996 Reynolds et al. D6/331
5,970,539 A * 10/1999 McDermott et al. 5/98.1

FIG. 5 is a top view of my child's bed of FIG. 1; and,

FIG. 6 is a bottom view of my child's bed of FIG. 1.

1 Claim, 6 Drawing Sheets



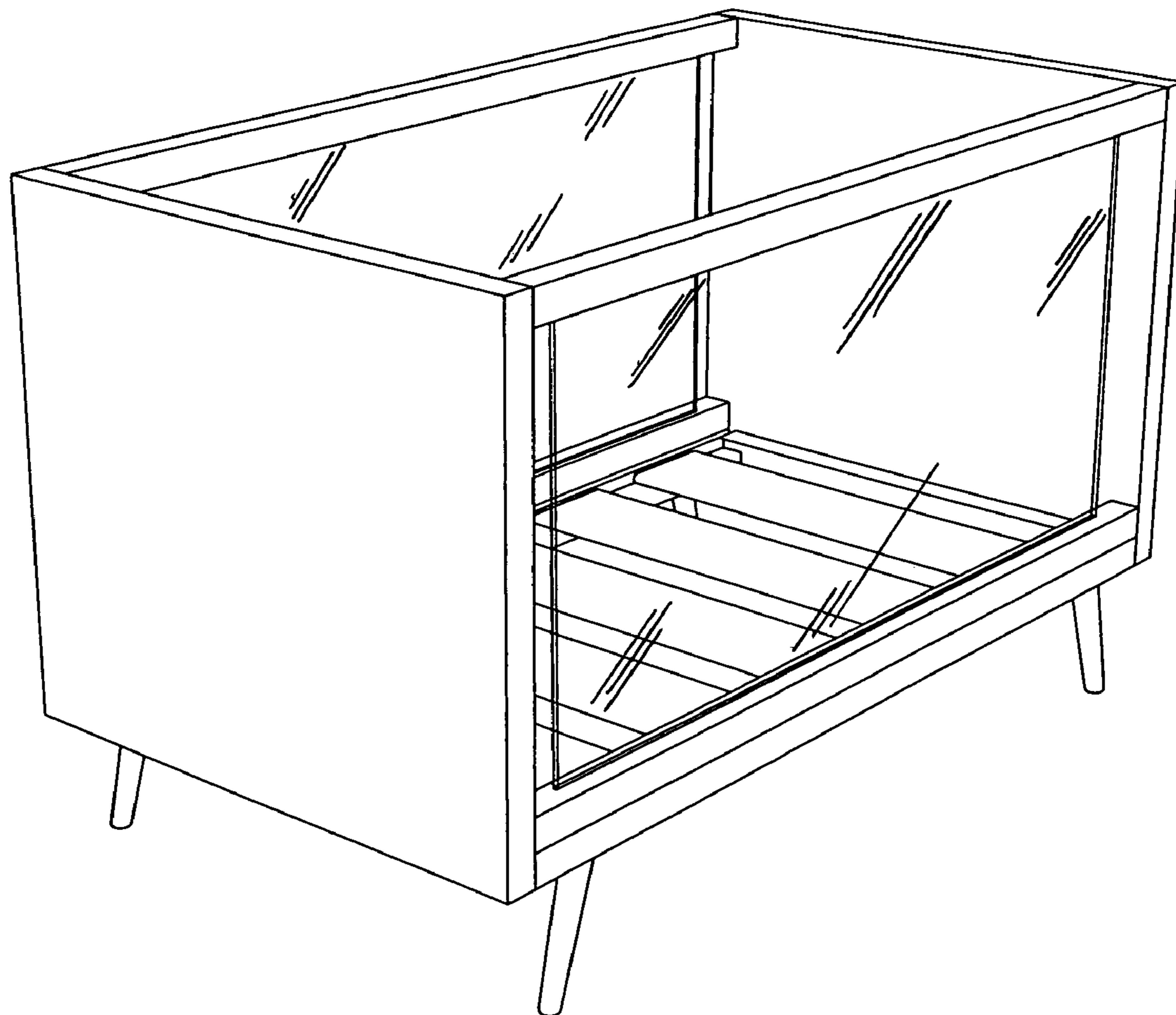


FIG. 1

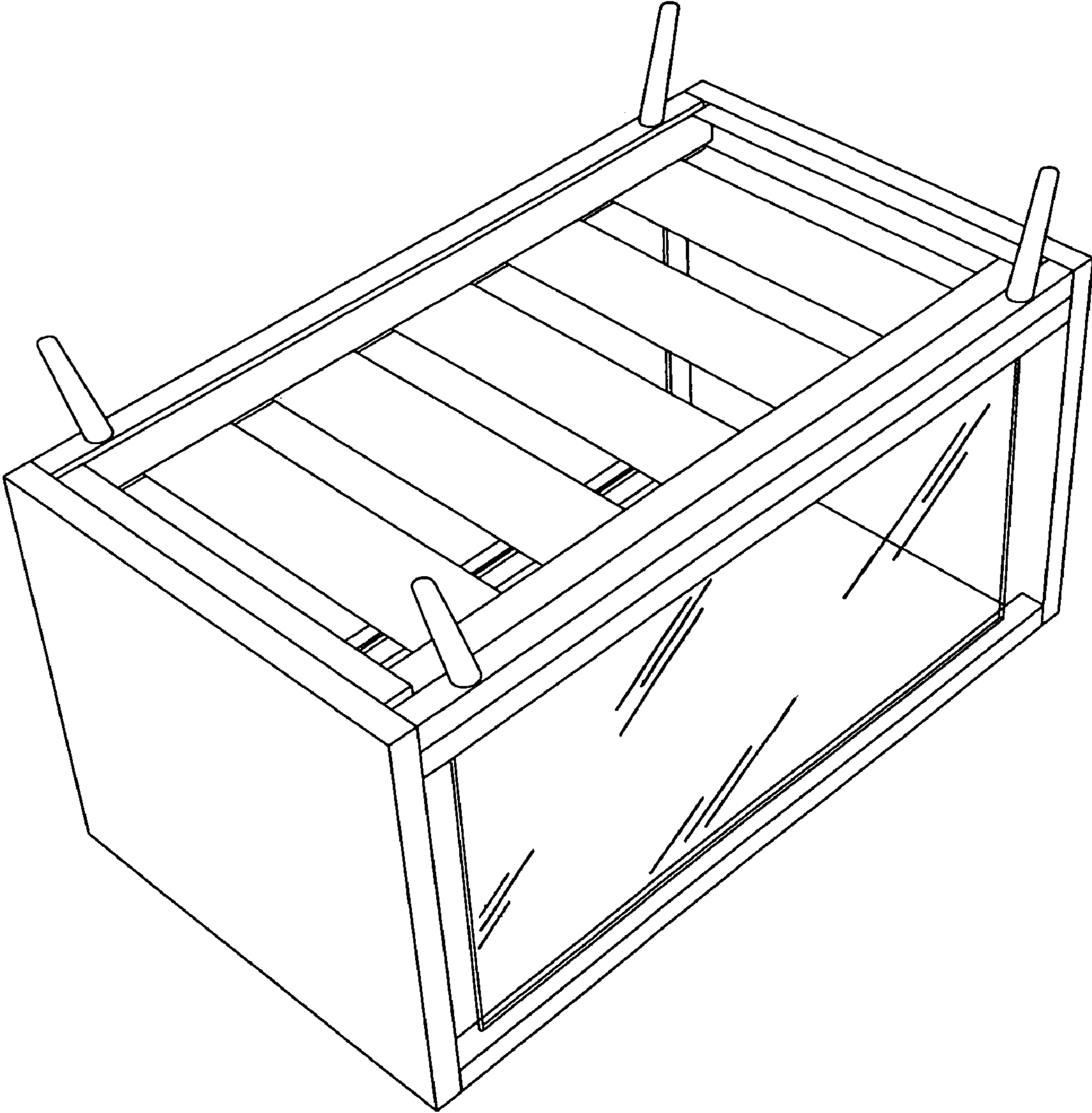


FIG. 2

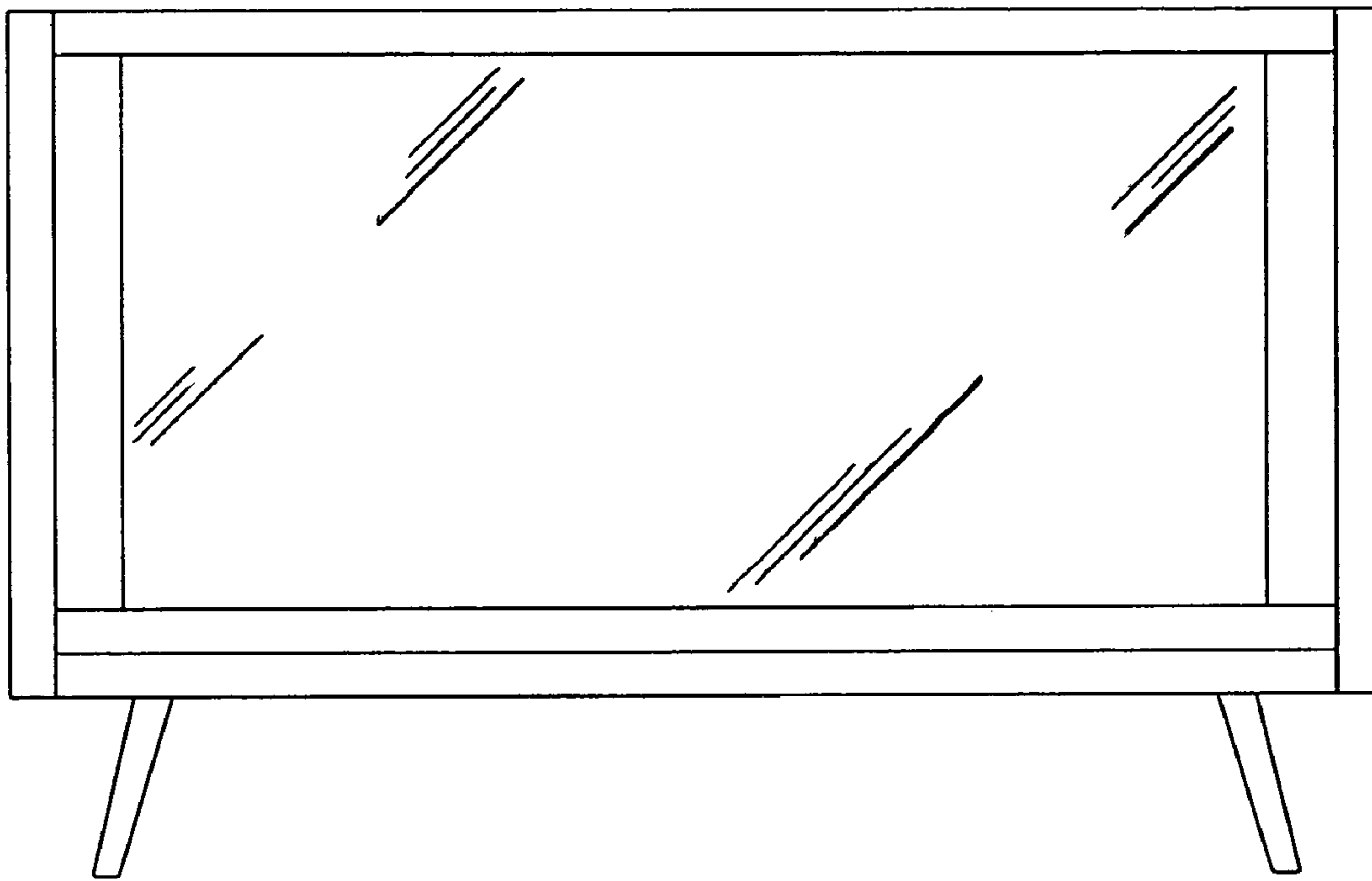


FIG. 3

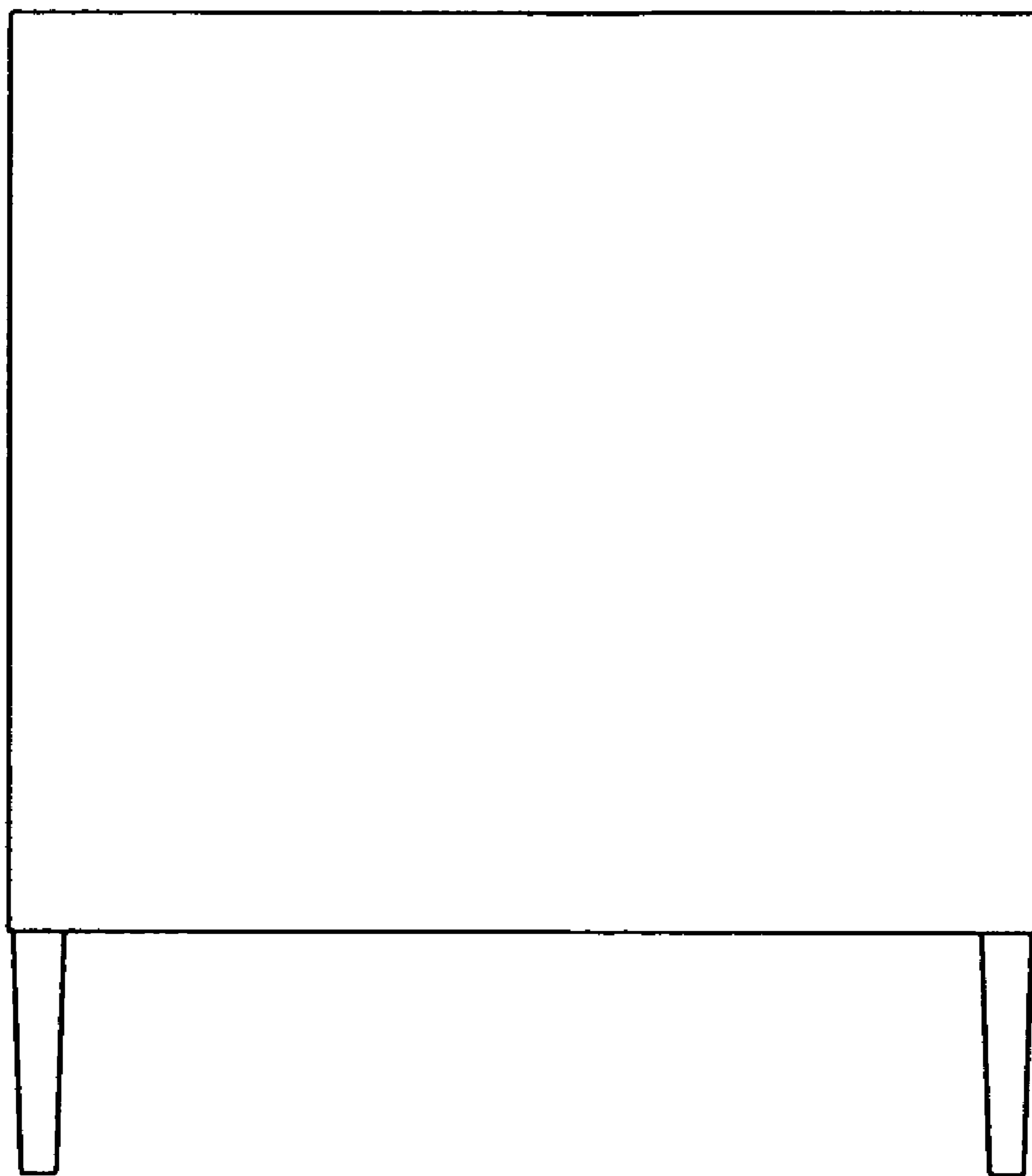


FIG. 4

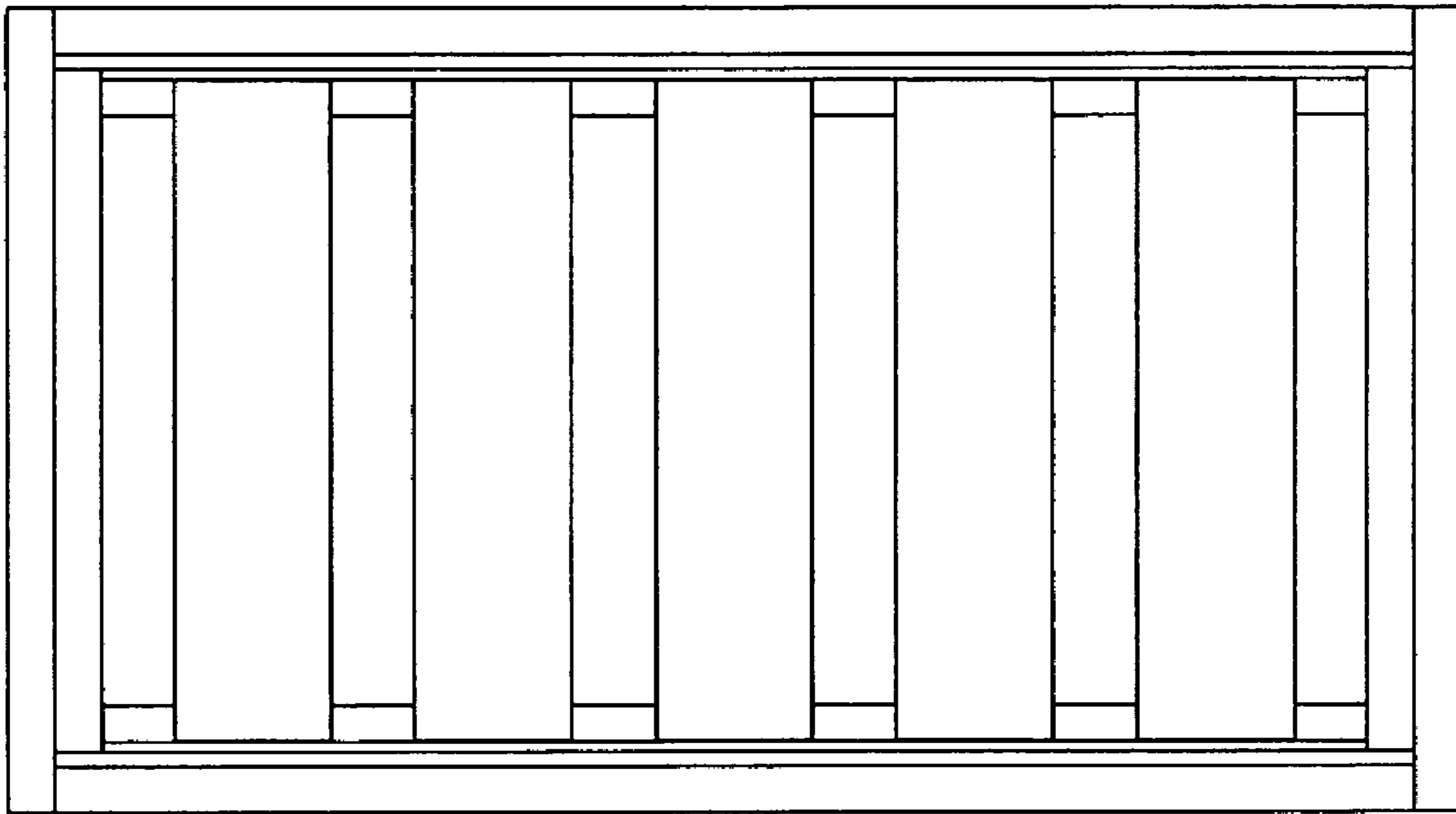


FIG. 5

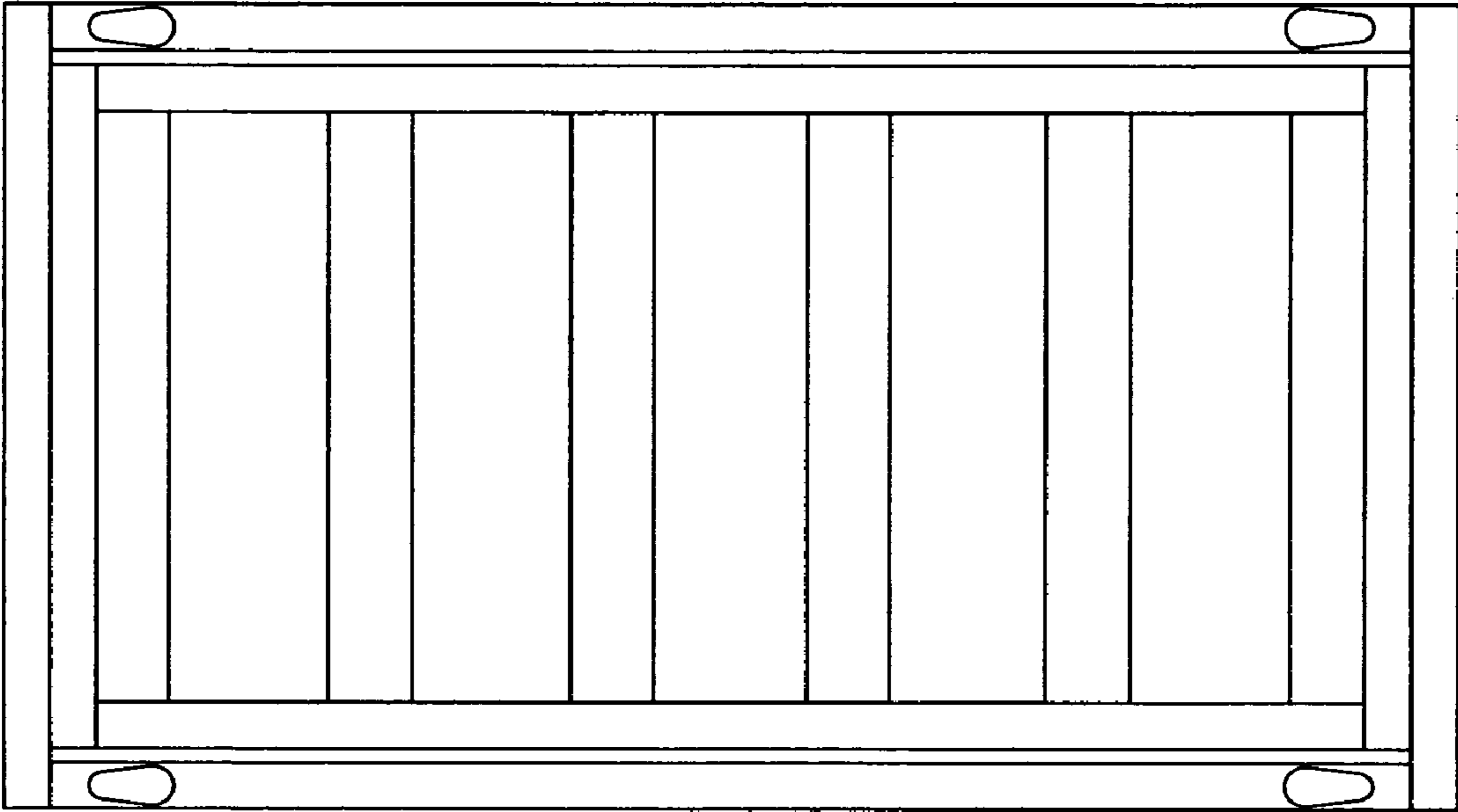


FIG. 6