



US00D616215S

(12) **United States Design Patent**
Andersen

(10) **Patent No.:** **US D616,215 S**

(45) **Date of Patent:** **** May 25, 2010**

(54) **SOFA**

(75) Inventor: **Per Weiss Andersen**, Randers (DK)

(73) Assignee: **Innovation U.S.A., Inc.**, Hanover, MD (US)

(**) Term: **14 Years**

(21) Appl. No.: **29/339,479**

(22) Filed: **Jun. 30, 2009**

(51) **LOC (9) Cl.** **06-01**

(52) **U.S. Cl.** **D6/381**

(58) **Field of Classification Search** D6/334,
D6/349, 355, 359, 369, 370, 371, 381-383,
D6/491, 492, 500-503; 297/94, 181, 233,
297/234, 235, 283.2, 311, 351, 353, 354.1,
297/354.12, 354.13, 445.1, 451.1, 451.8,
297/451.9; 5/12.1, 12.2

See application file for complete search history.

(56) **References Cited**

U.S. PATENT DOCUMENTS

D35,082 S *	9/1901	Stickley	D6/379
D224,766 S *	9/1972	Rowland	D6/371
D228,371 S *	9/1973	Gill	D6/364
D238,030 S *	12/1975	Welton	D6/375
D261,702 S *	11/1981	Whalen	D6/334
D265,699 S *	8/1982	Lundgren	D6/334
D318,183 S *	7/1991	Fister, Jr.	D6/334
D336,376 S *	6/1993	Hollington	D6/334
D360,311 S *	7/1995	Stamberg et al.	D6/334
D392,469 S *	3/1998	De Blaay	D6/334
D401,078 S *	11/1998	Relling	D6/381
D417,558 S *	12/1999	Staubach et al.	D6/334
D429,900 S *	8/2000	Minami	D6/334
D430,740 S *	9/2000	Chun	D6/334
D432,807 S *	10/2000	Gollinucci	D6/381
D443,989 S *	6/2001	Gomez	D6/335

D443,991 S *	6/2001	Picotti	D6/366
D455,282 S *	4/2002	Andersen et al.	D6/381
D467,102 S *	12/2002	Martin	D6/500
D510,486 S *	10/2005	Karl	D6/334
D535,124 S *	1/2007	Garcia	D6/492
D569,126 S *	5/2008	Sexton	D6/425
D583,585 S *	12/2008	Weiss	D6/381
D586,145 S *	2/2009	Guinochet	D6/381
D603,617 S *	11/2009	Weiss	D6/381

* cited by examiner

Primary Examiner—Sandra Snapp

(74) *Attorney, Agent, or Firm*—Miles & Stockbridge P.C.;
James T. Carmichael; Michael A. Minter

(57) **CLAIM**

The ornamental design for a sofa, as shown and described.

DESCRIPTION

FIG. 1 is a front view of the sofa showing the new design;

FIG. 2 is a back view thereof;

FIG. 3 is a top view thereof;

FIG. 4 is a bottom view thereof;

FIG. 5 is a left view thereof;

FIG. 6 is a right view thereof;

FIG. 7 is a right perspective view thereof;

FIG. 8 is a left perspective view thereof;

FIG. 9 is a right perspective view thereof in an upright position;

FIG. 10 is a left perspective view thereof in an upright position;

FIG. 11 is a right perspective view of the sofa in an upright position with arm elements removed; and,

FIG. 12 is a left perspective view of the sofa in an upright position with arm elements removed.

1 Claim, 6 Drawing Sheets

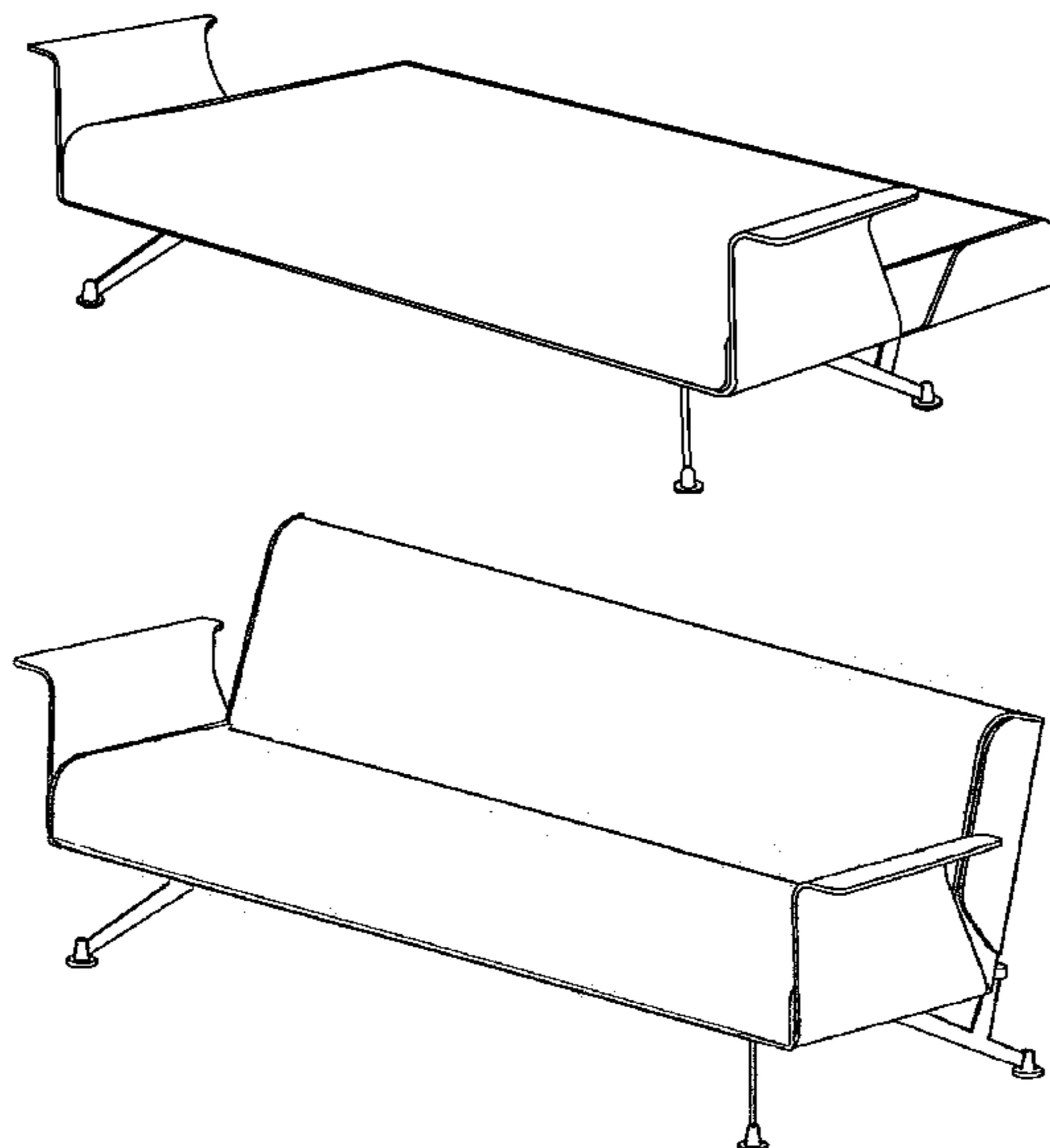


FIG. 1

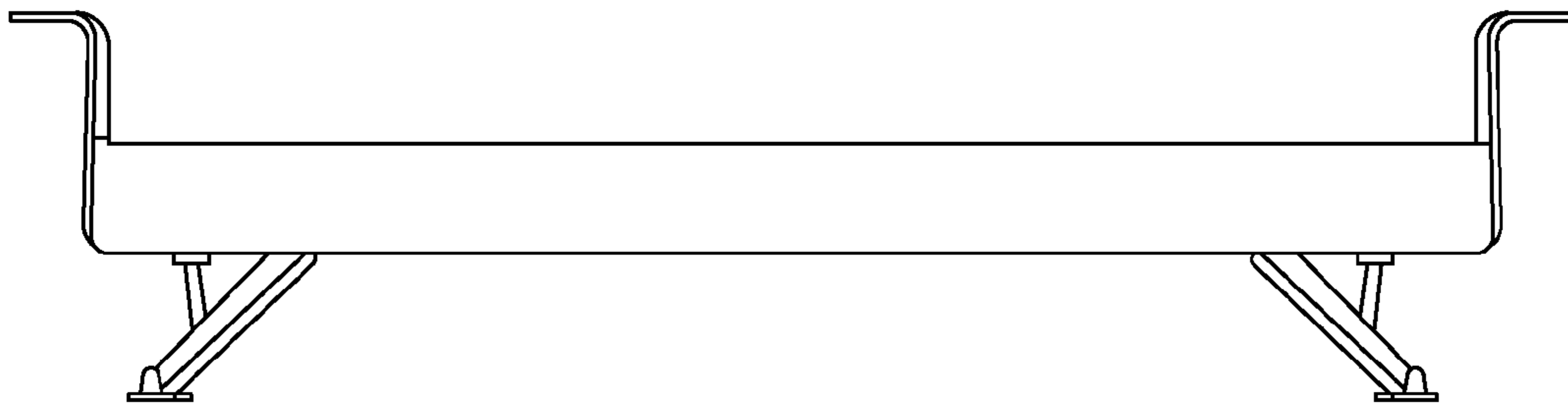


FIG. 2

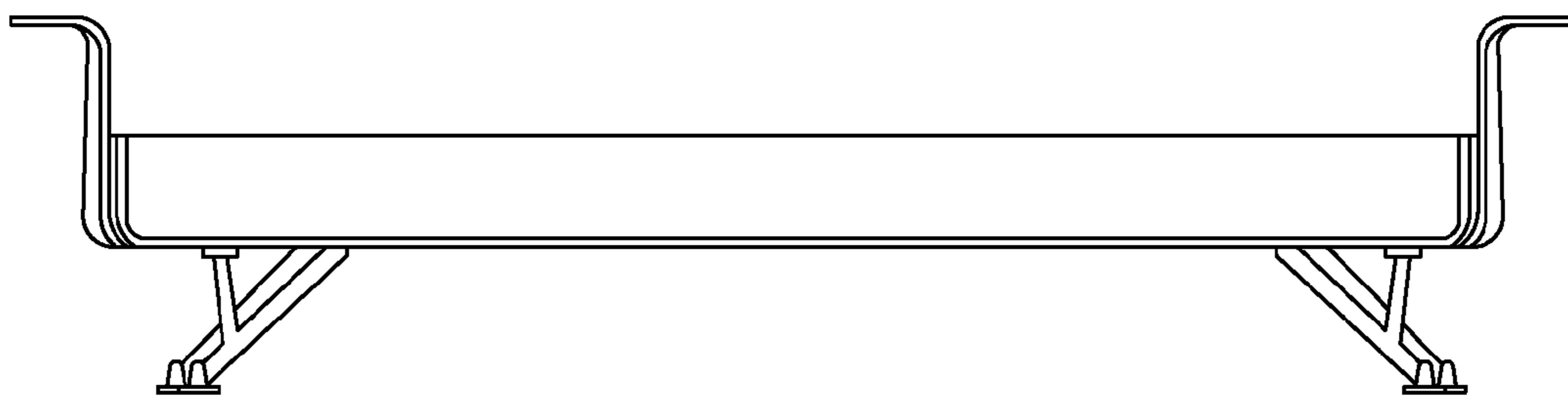


FIG. 3



FIG. 4



FIG. 5

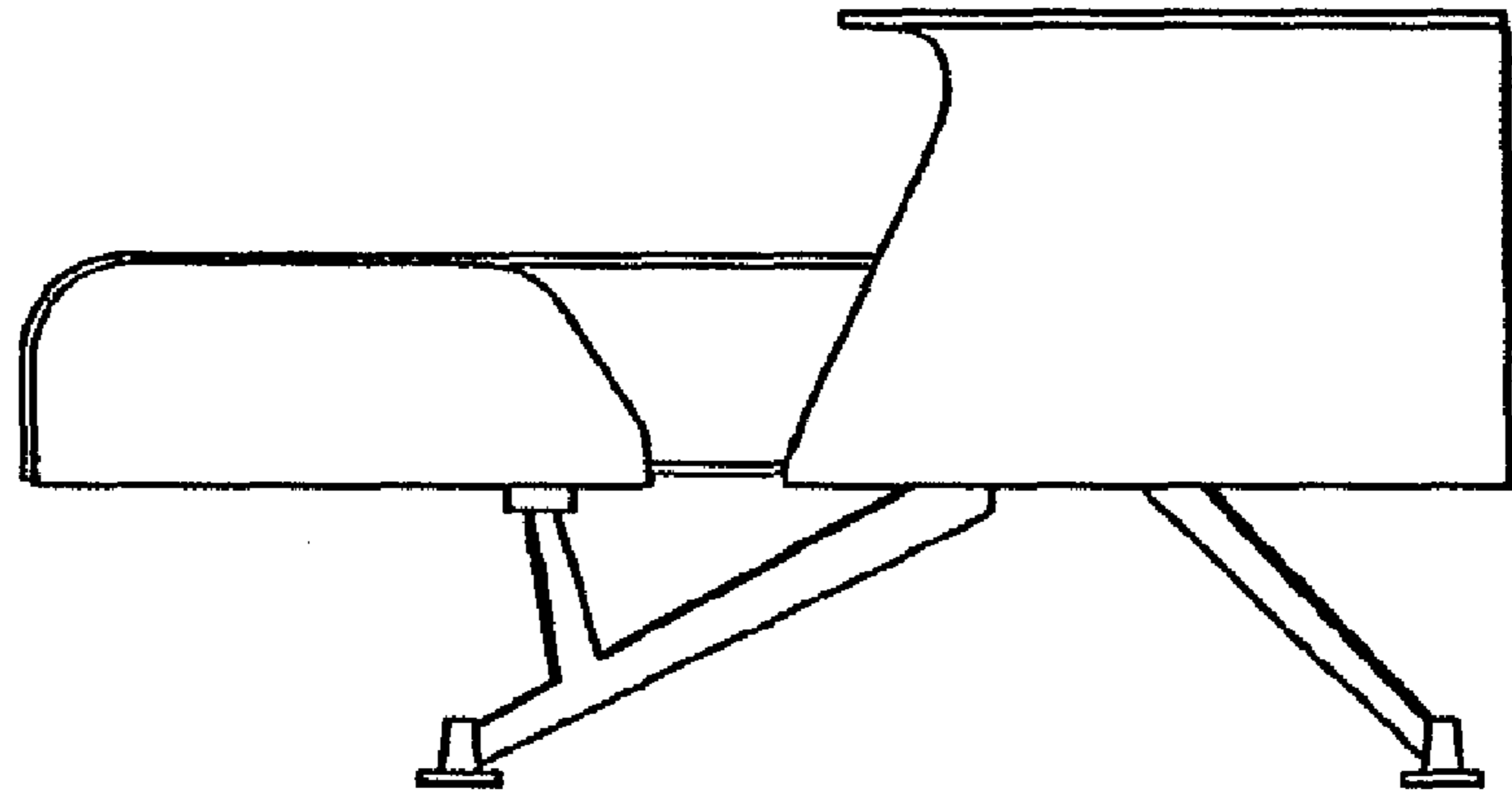


FIG. 6

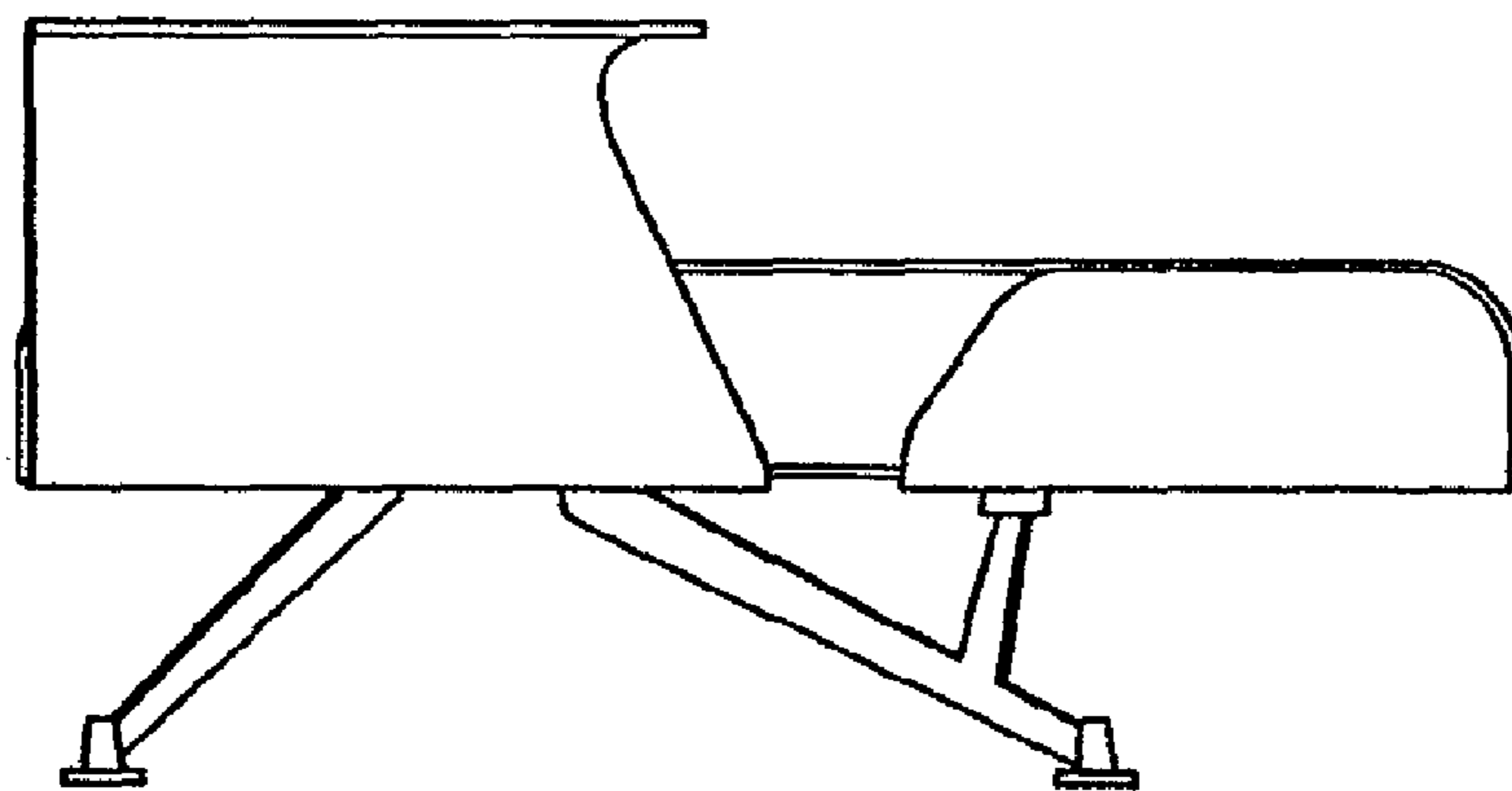


FIG. 7

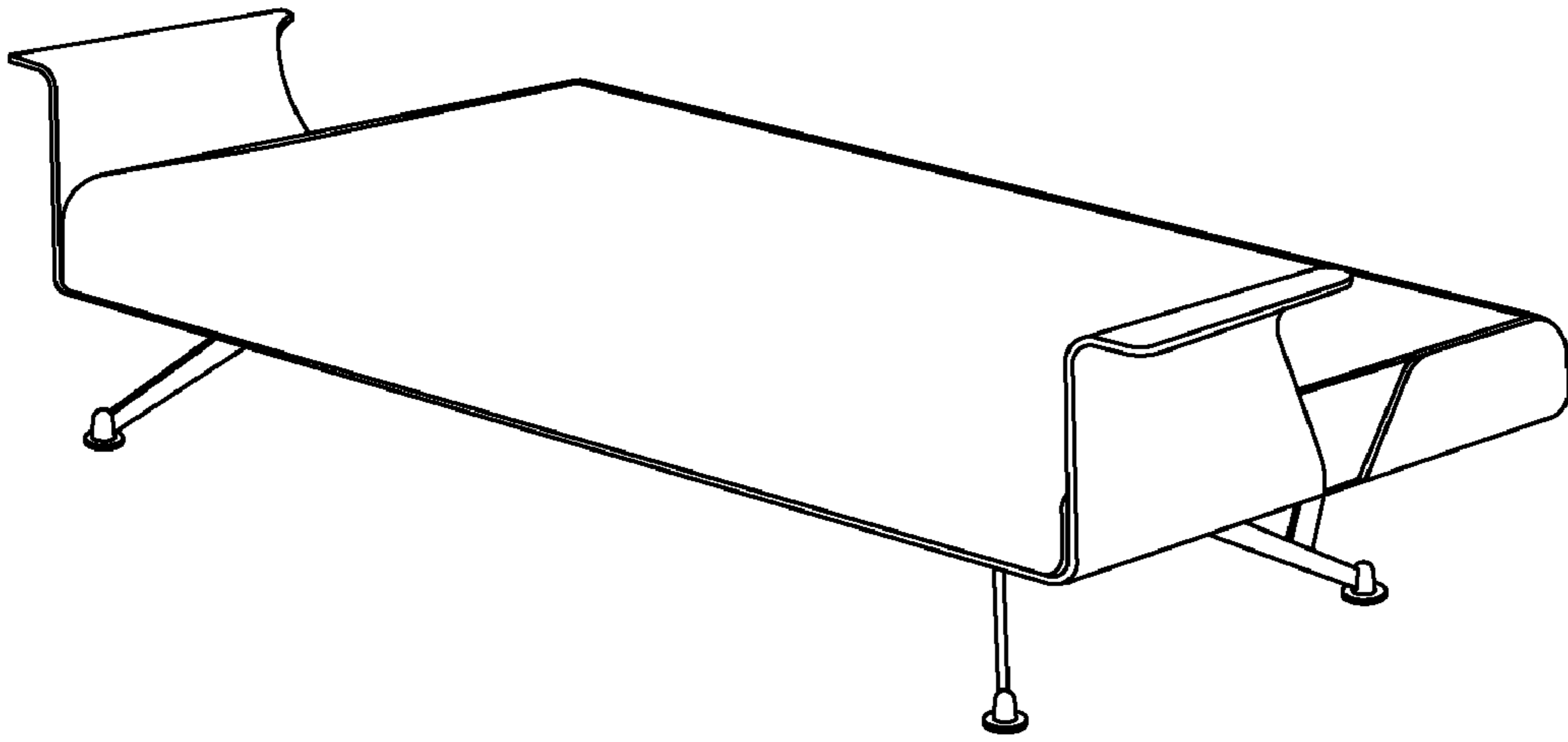


FIG. 8

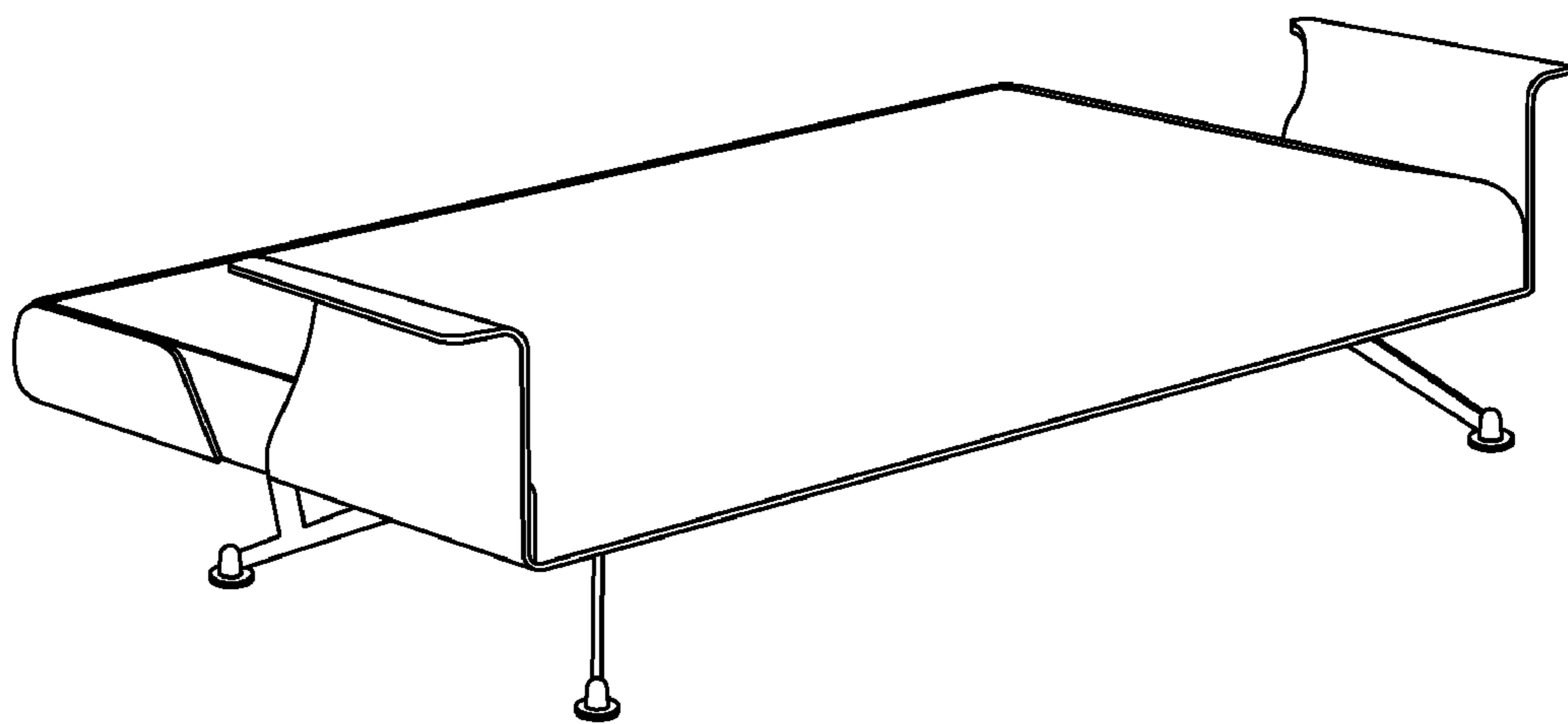


FIG. 9

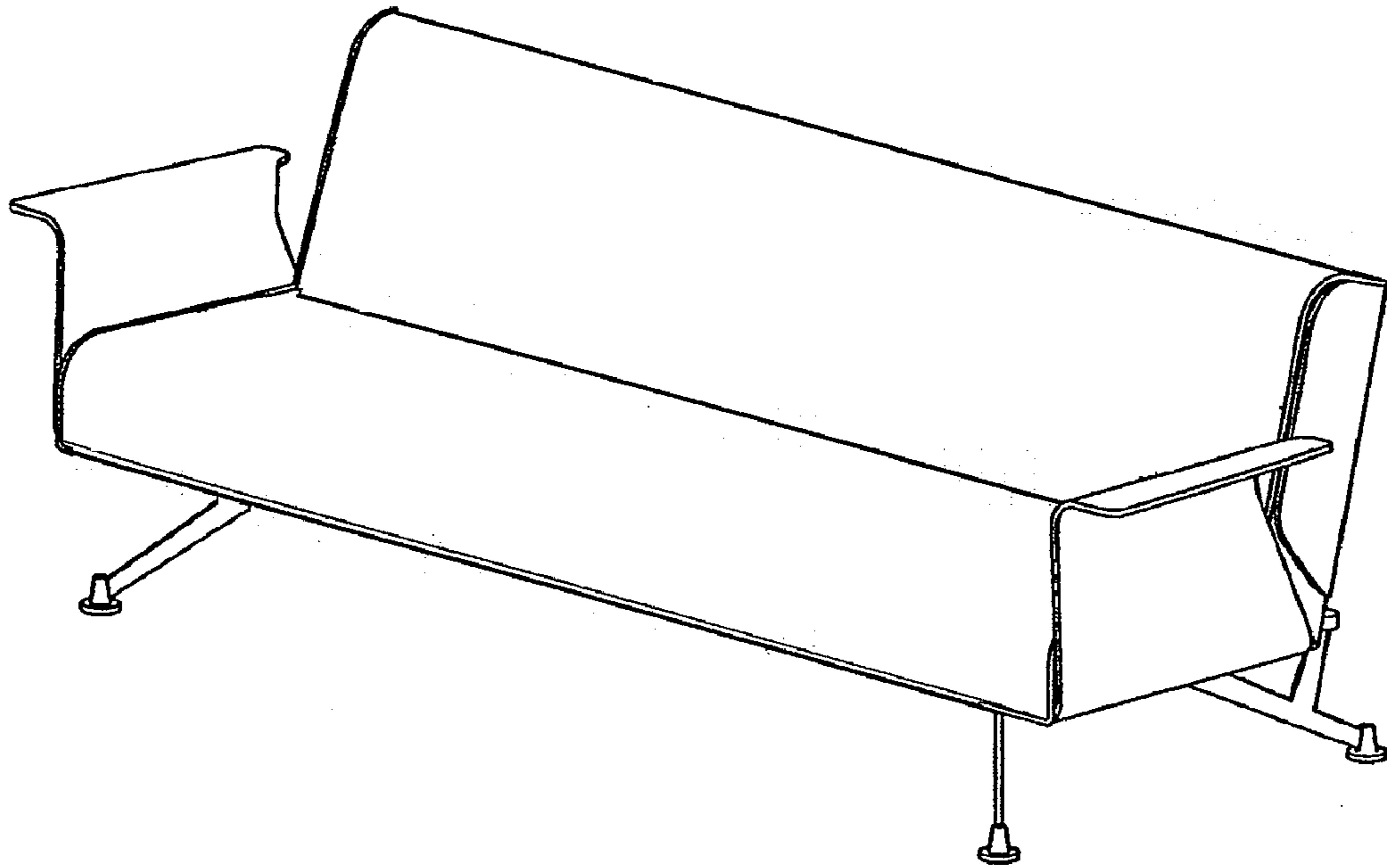


FIG. 10

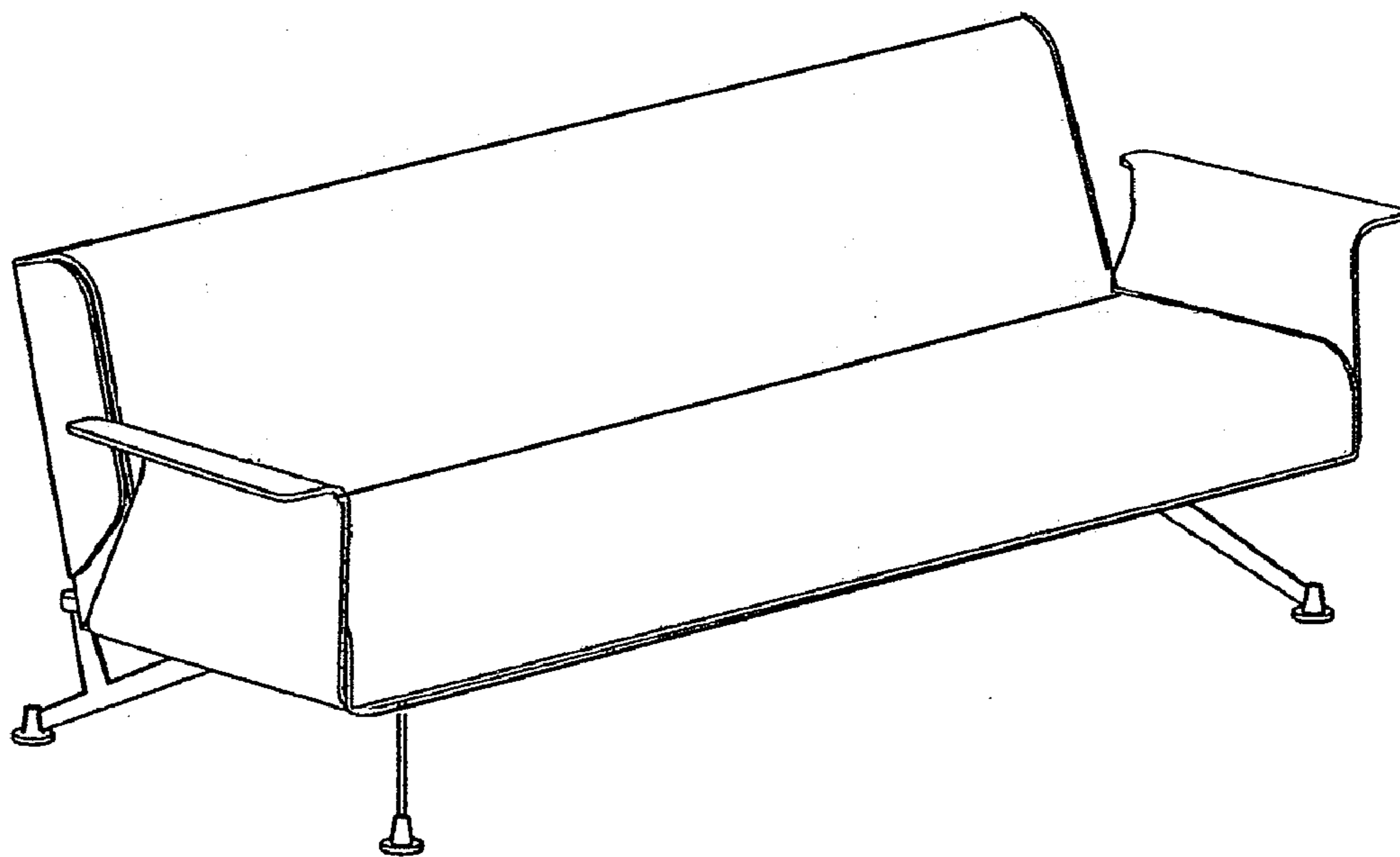


FIG. 11

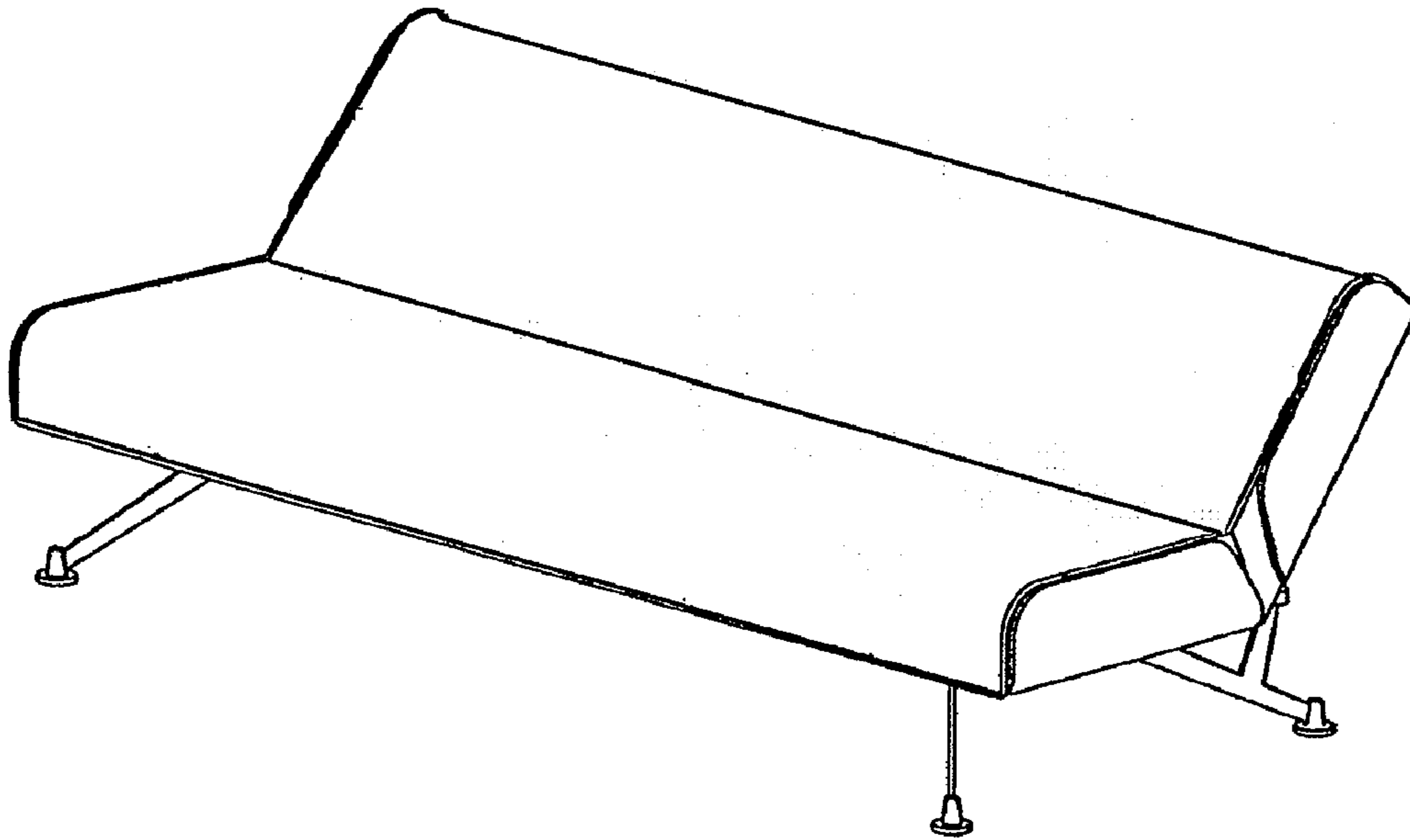


FIG. 12

