



US00D616214S

(12) **United States Design Patent**
Andersen

(10) **Patent No.:** **US D616,214 S**

(45) **Date of Patent:** **** May 25, 2010**

(54) **SOFA**

D604,957 S * 12/2009 Weiss D6/381

(75) Inventor: **Per Weiss Andersen**, Randers (DK)

* cited by examiner

(73) Assignee: **Innovation U.S.A., Inc.**, Hanover, MD (US)

Primary Examiner—Mimosa De
(74) *Attorney, Agent, or Firm*—Miles & Stockbridge P.C.; James T. Carmichael; Michael A. Minter

(**) Term: **14 Years**

(57) **CLAIM**

(21) Appl. No.: **29/339,481**

The ornamental design for a sofa, as shown and described.

(22) Filed: **Jun. 30, 2009**

DESCRIPTION

(51) **LOC (9) Cl.** **06-01**

(52) **U.S. Cl.** **D6/373; D6/367; D6/374**

(58) **Field of Classification Search** D6/334–336, D6/355, 361, 367, 368, 370, 371, 372, 373, D6/374, 375, 379, 380, 381–383, 500–502; 297/232, 233, 440.15, 445.1, 446.1, 448.1, 297/448.2, 452.12, 452.48; 5/12.1, 12.2, 5/45

See application file for complete search history.

FIG. 1 is a front view of the sofa showing the new design;
FIG. 2 is a back view thereof;
FIG. 3 is a top view thereof;
FIG. 4 is a bottom view thereof;
FIG. 5 is a left view thereof;
FIG. 6 is a right view thereof;
FIG. 7 is a left perspective view thereof;
FIG. 8 is a right perspective view thereof;
FIG. 9 is a right perspective view thereof in a partially reclined position;
FIG. 10 is a left perspective view thereof in a partially reclined position;
FIG. 11 is a right perspective view thereof in a fully reclined position; and,
FIG. 12 is a left perspective view thereof in a fully reclined position.

(56) **References Cited**

U.S. PATENT DOCUMENTS

- D169,911 S * 6/1953 Netzer D6/381
- D238,023 S * 12/1975 Mazzucconi D6/371
- 4,292,698 A * 10/1981 Acker 5/45
- D273,254 S * 4/1984 Fairaizen D6/335
- 5,137,332 A * 8/1992 Gualtierotti et al. 297/440.15
- D455,281 S * 4/2002 Andersen et al. D6/381
- D490,996 S * 6/2004 Weiss et al. D6/381
- D573,359 S * 7/2008 Weiss D6/335
- D580,670 S * 11/2008 Weiss D6/361
- D592,416 S * 5/2009 Weiss D6/381

1 Claim, 8 Drawing Sheets

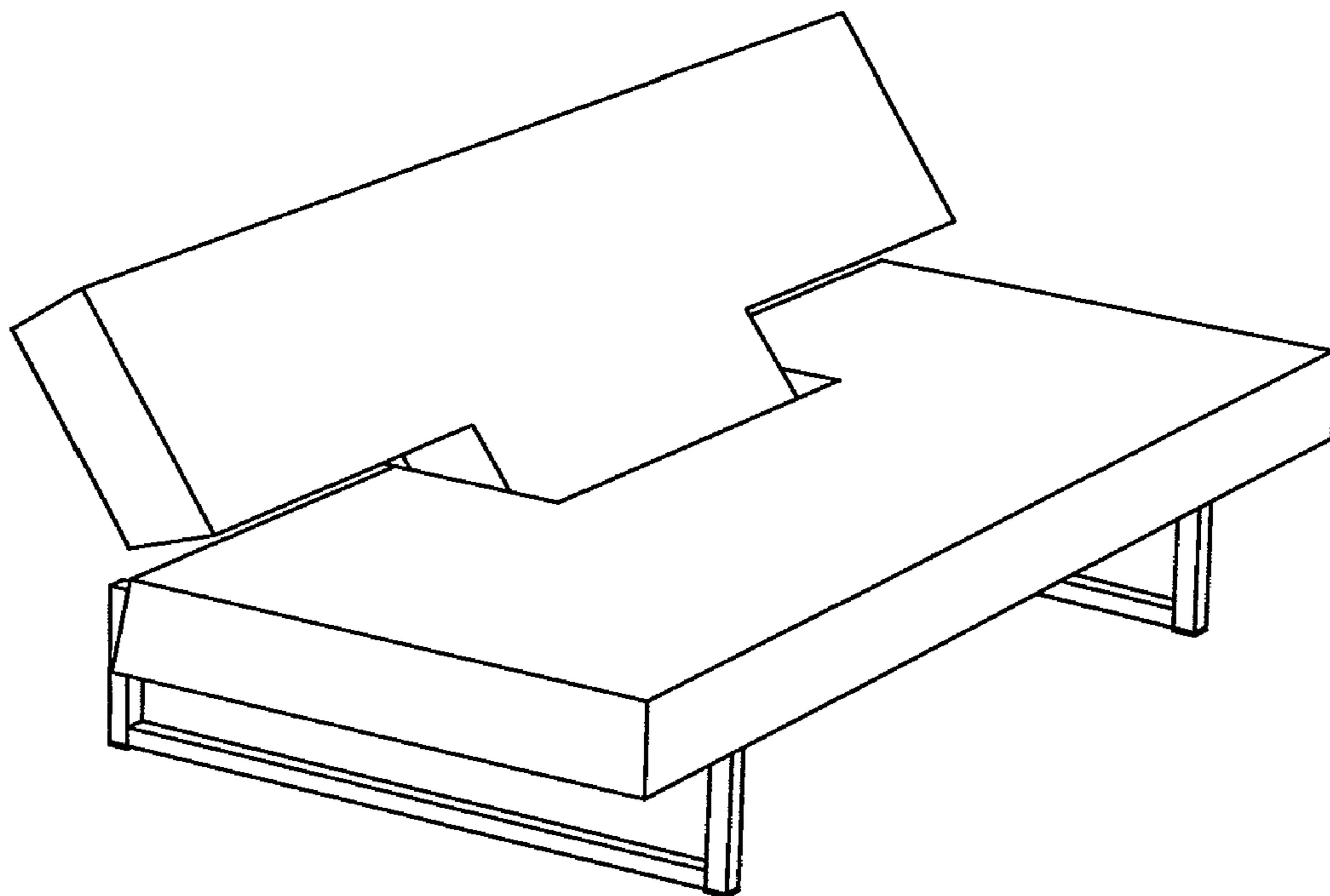


FIG. 1

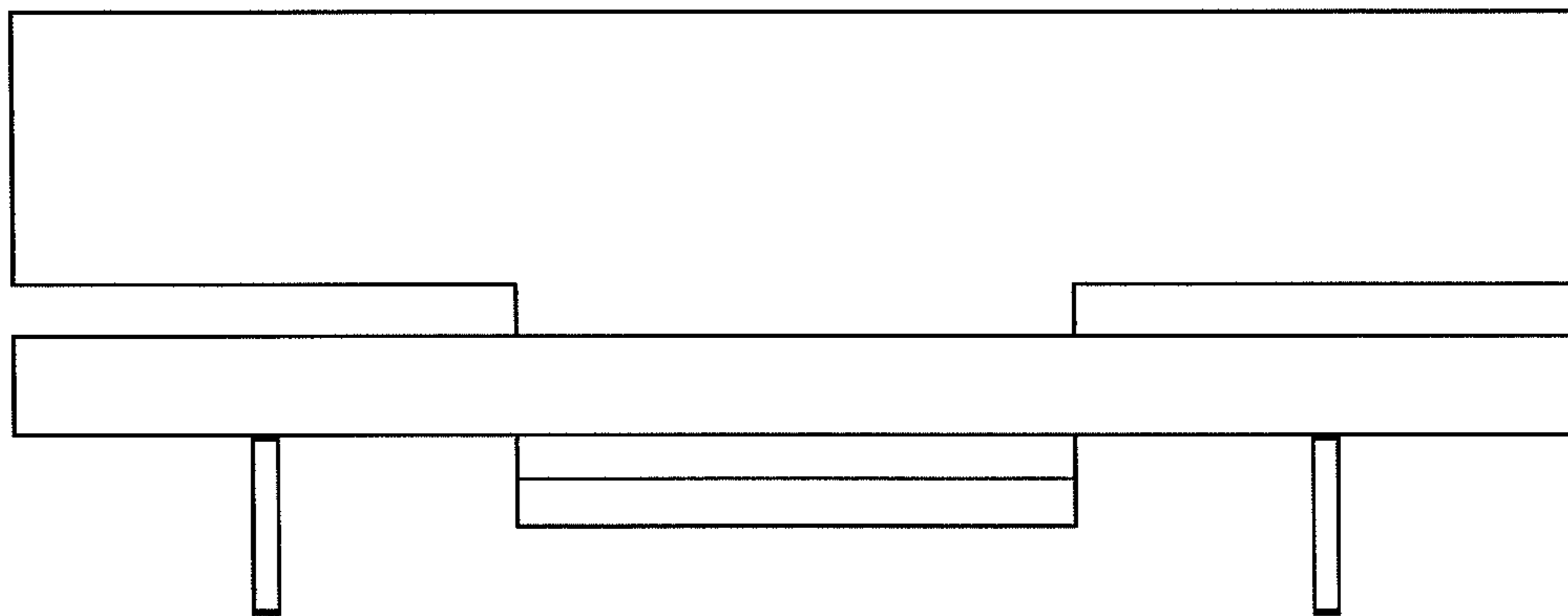


FIG. 2

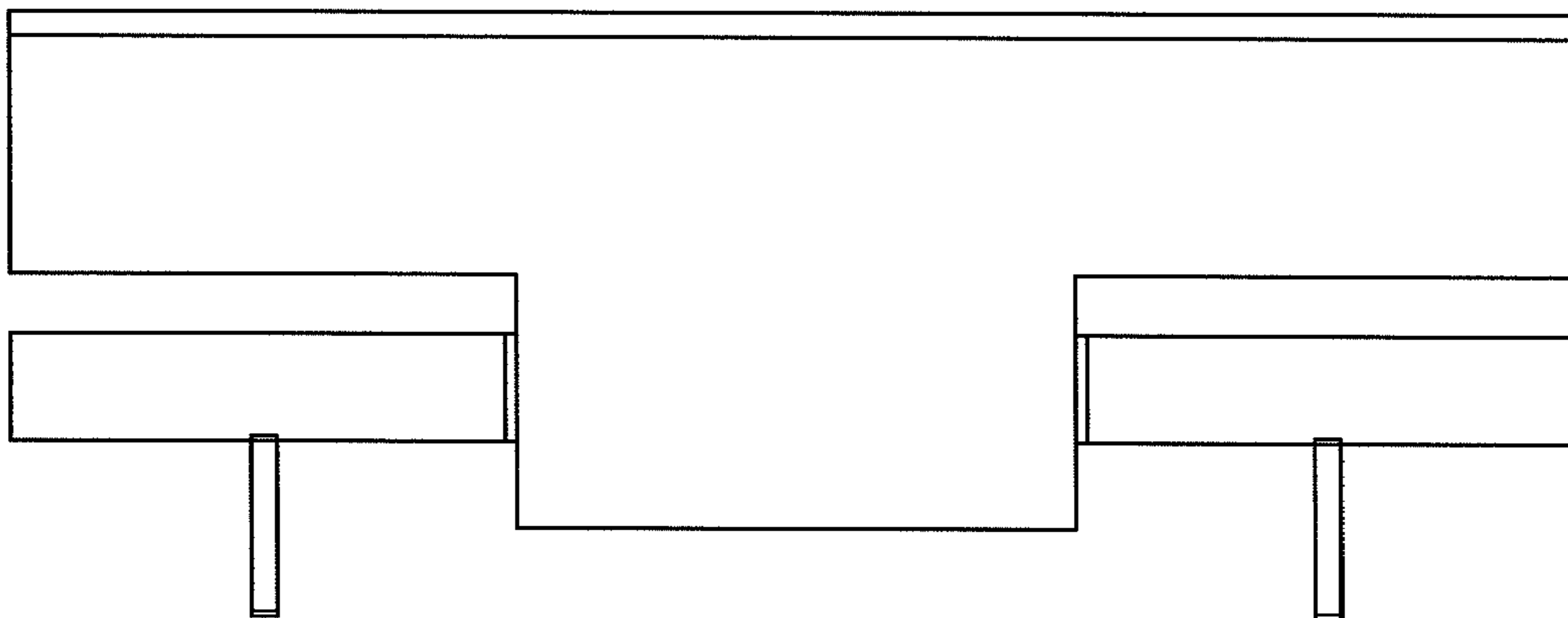


FIG. 3

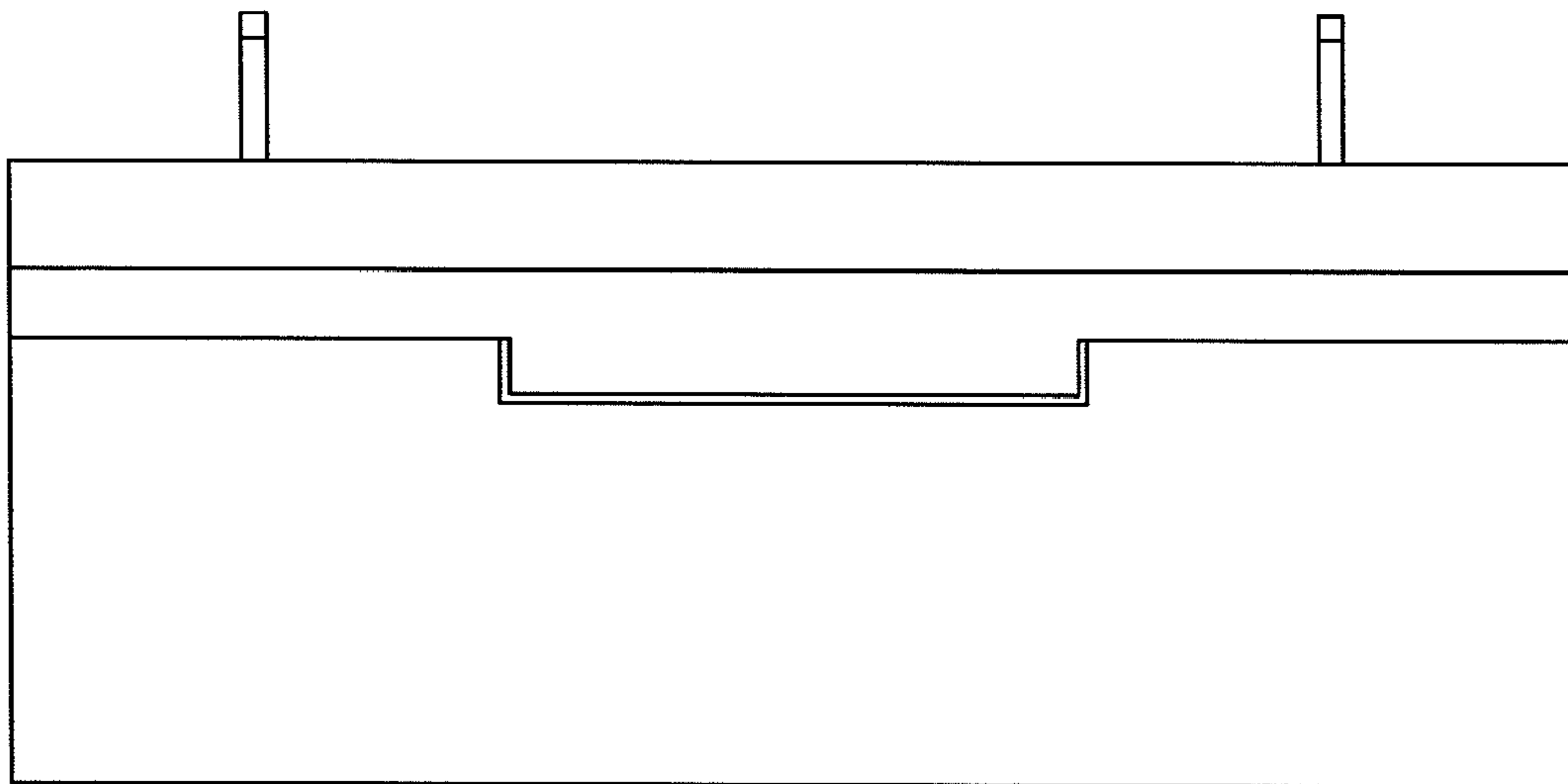


FIG. 4

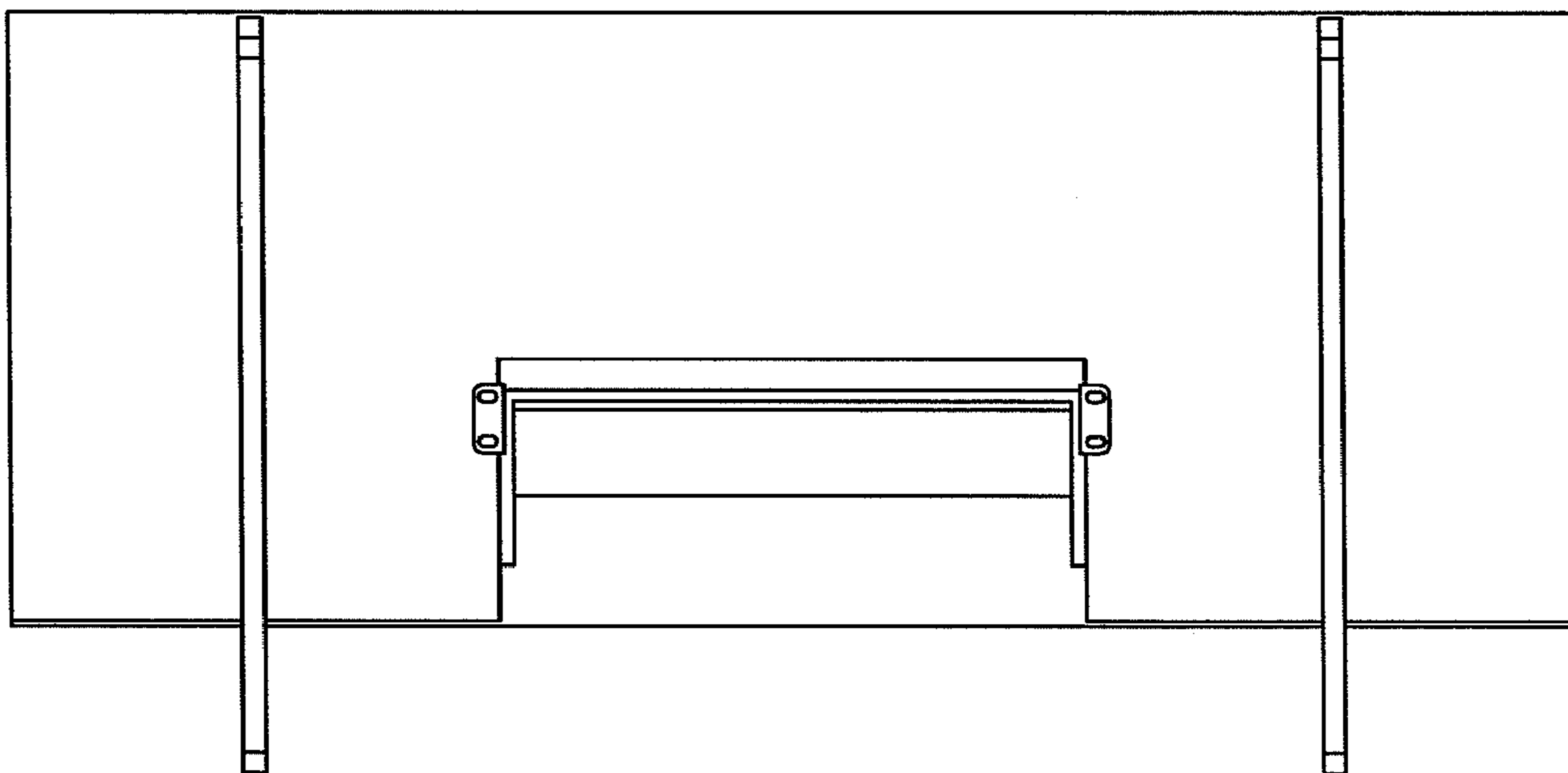


FIG. 5

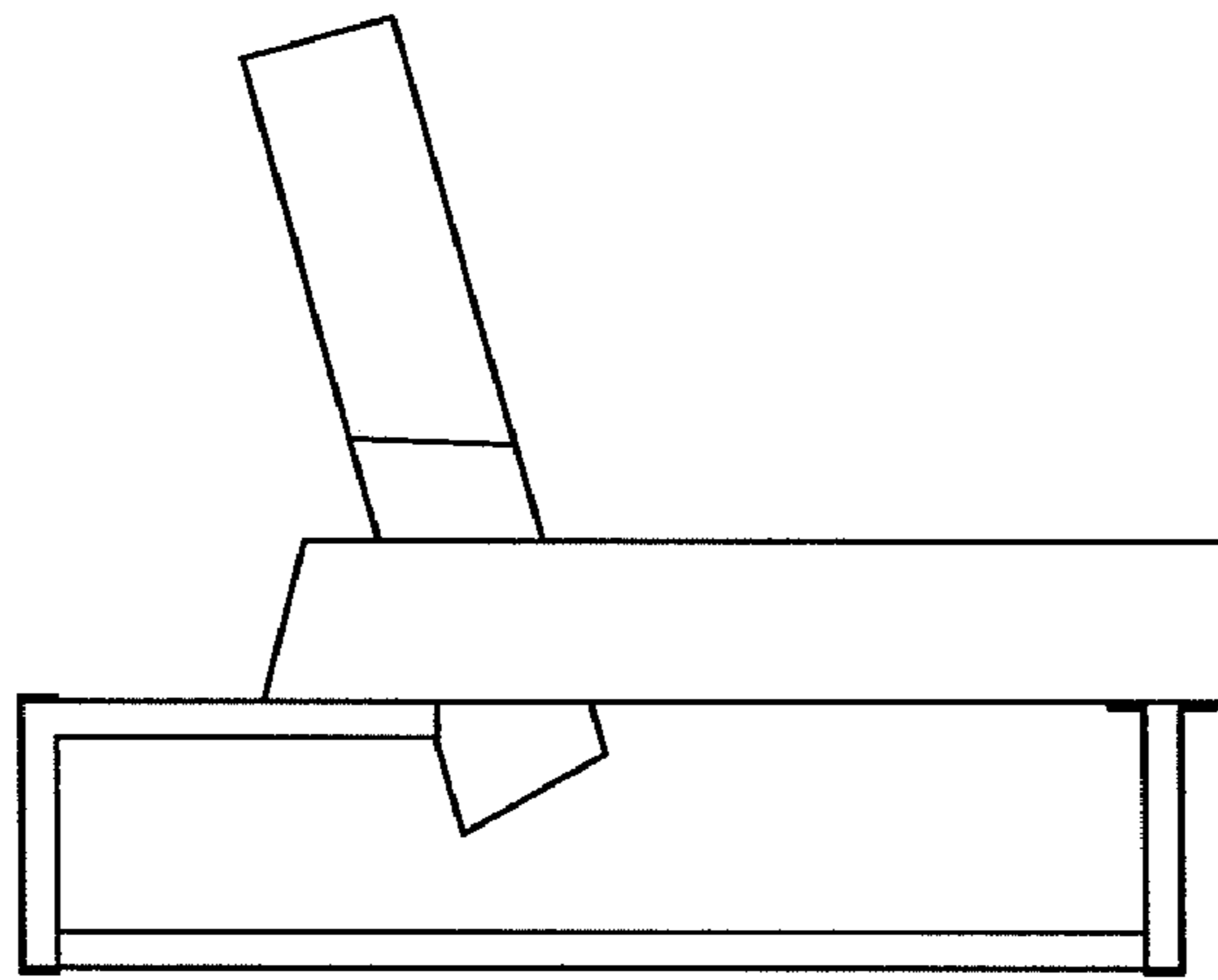


FIG. 6

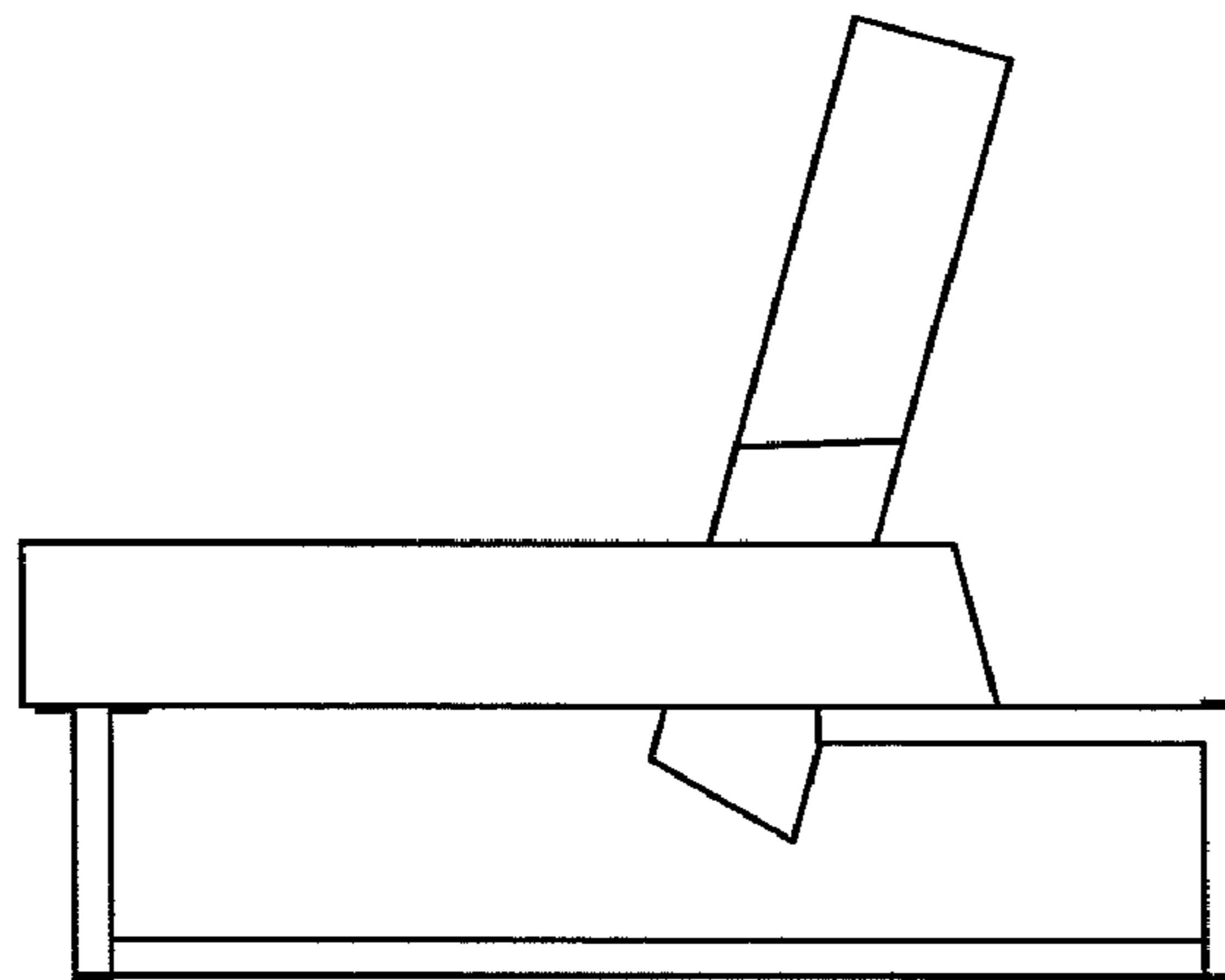


FIG. 7

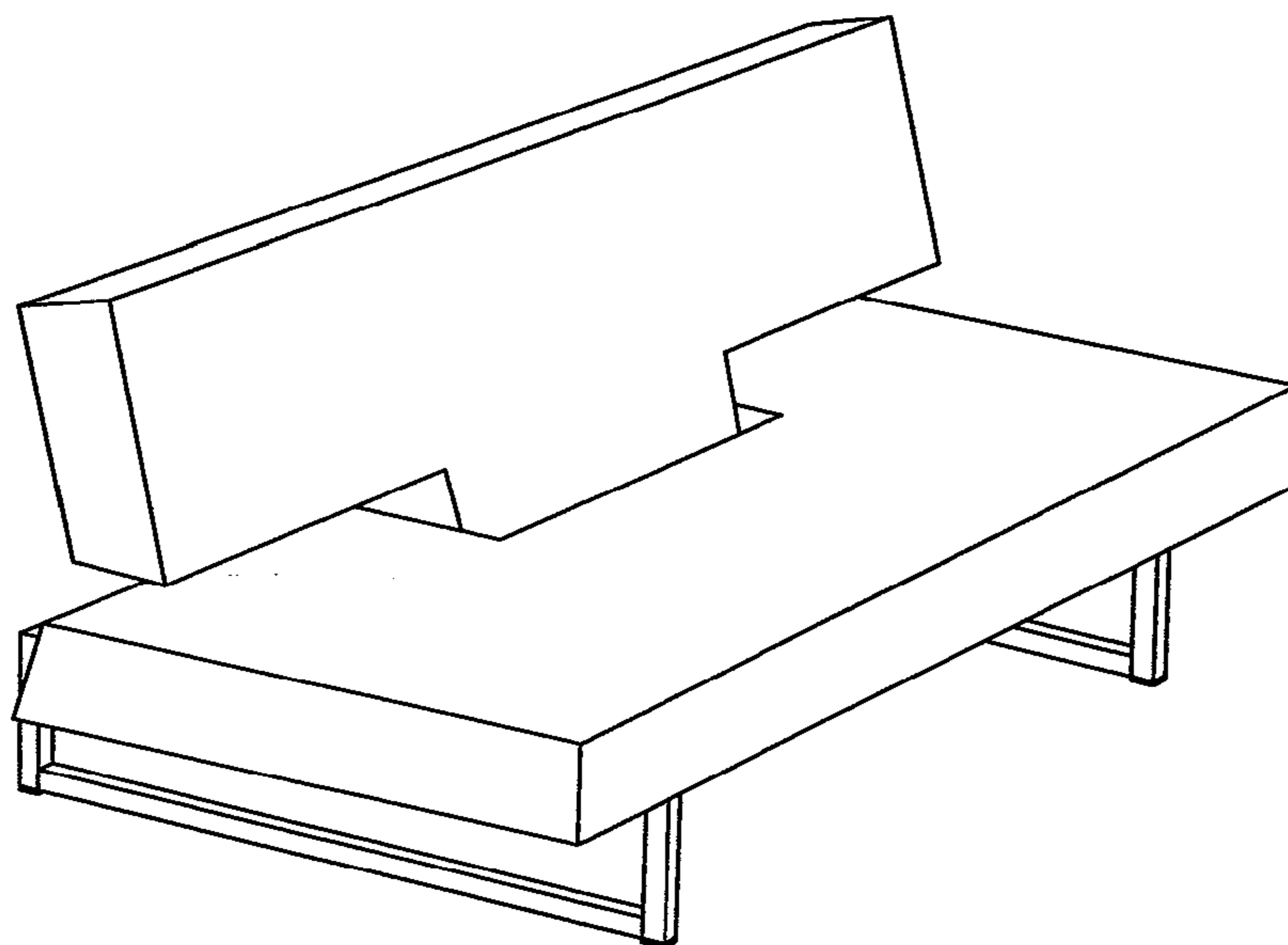


FIG. 8

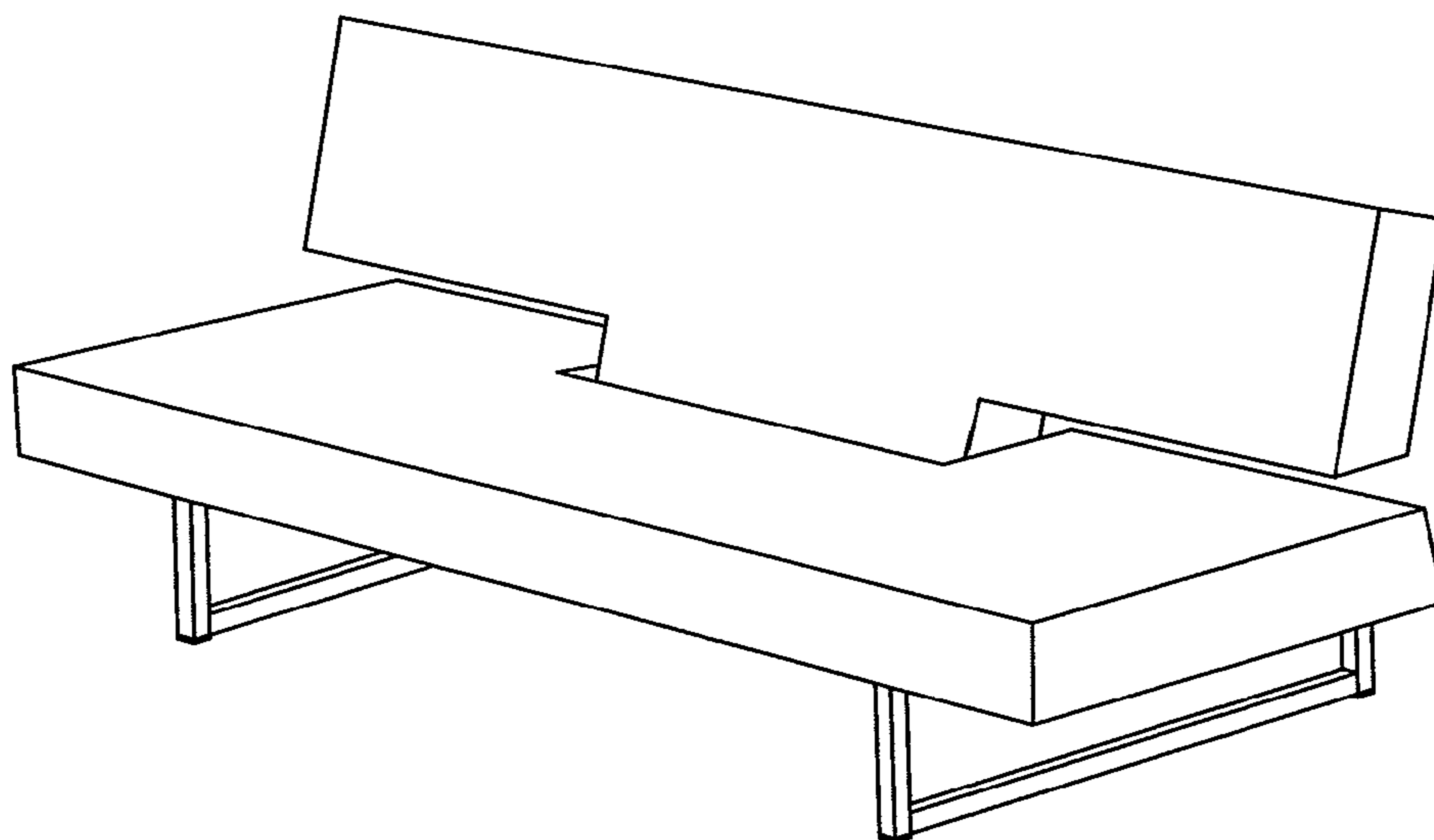


FIG. 9

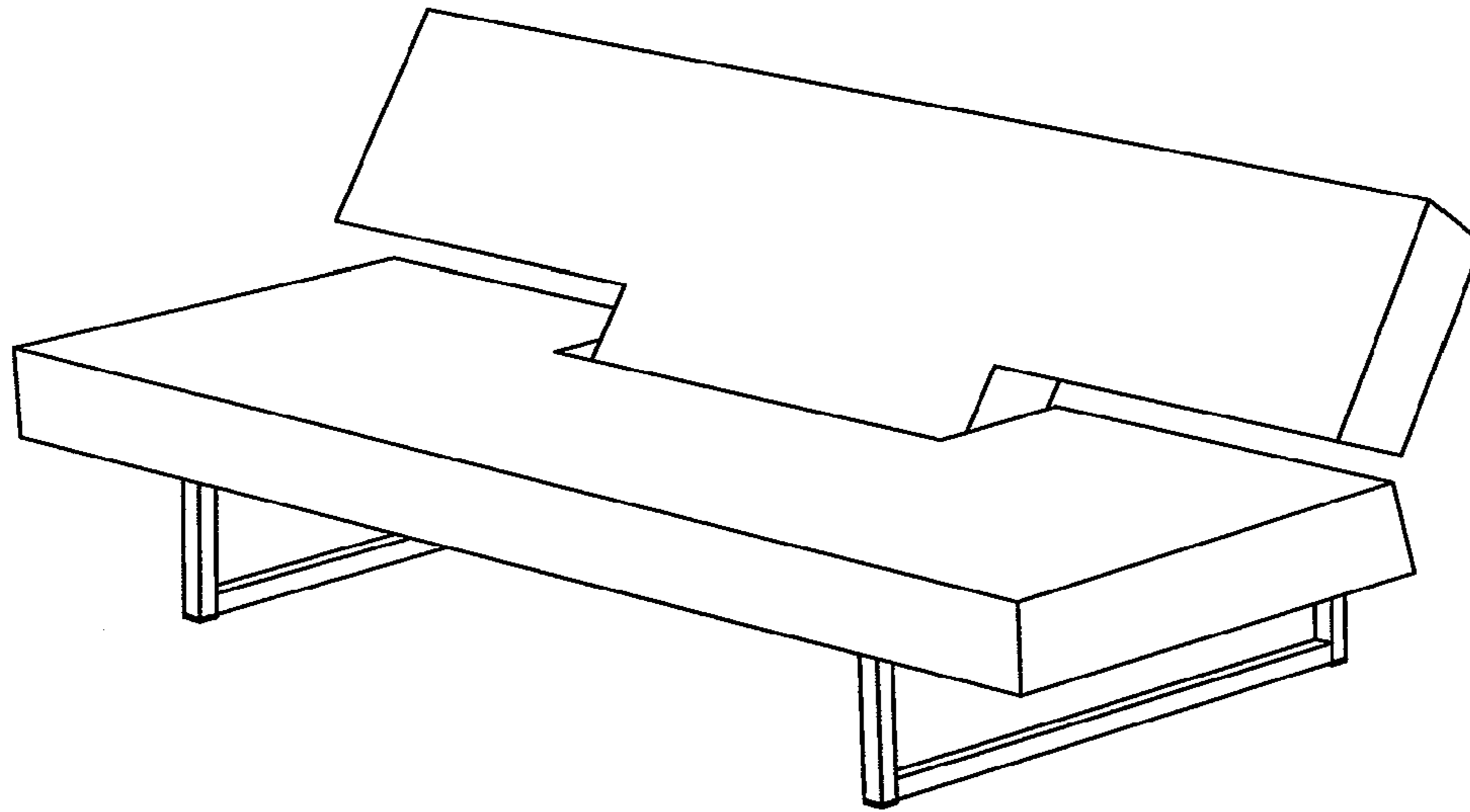


FIG. 10

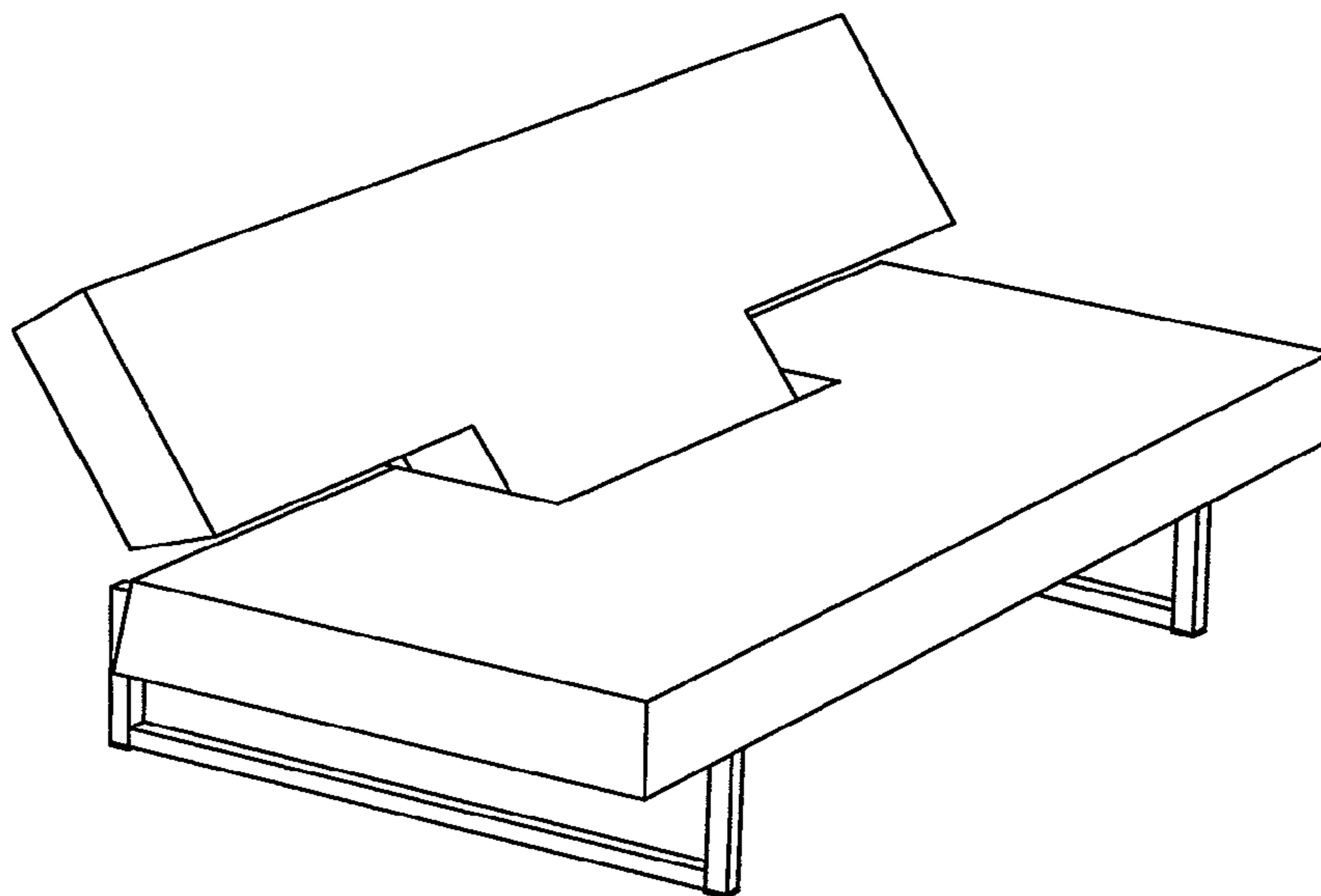


FIG. 11

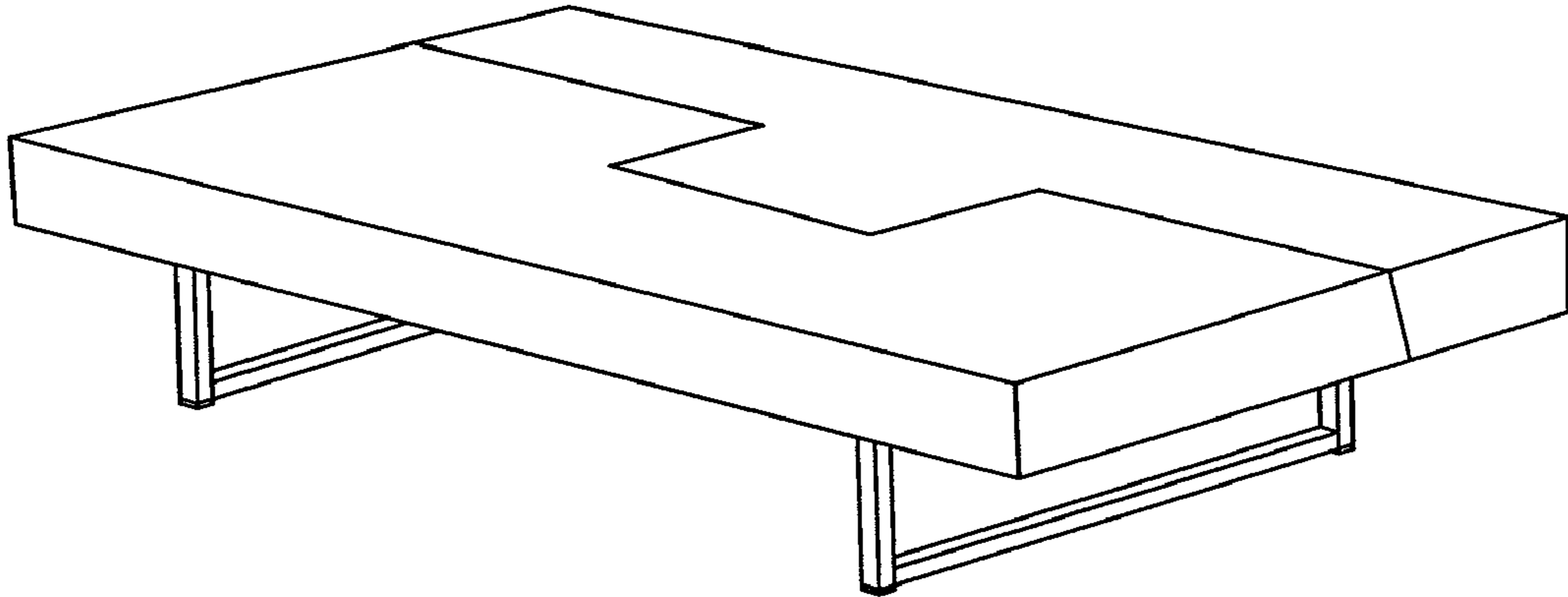


FIG. 12

