



US00D616210S

(12) **United States Design Patent**  
**Tin**

(10) **Patent No.:** **US D616,210 S**

(45) **Date of Patent:** **\*\* May 25, 2010**

(54) **OTTOMAN**

(76) **Inventor:** **Khaymar Than Tin**, 790 North Ave.,  
NE., Unit #204, Atlanta, GA (US) 30306

(\*\*) **Term:** **14 Years**

(21) **Appl. No.:** **29/314,733**

(22) **Filed:** **Apr. 23, 2009**

(51) **LOC (9) Cl.** ..... **06-01**

(52) **U.S. Cl.** ..... **D6/349**

(58) **Field of Classification Search** ..... D6/334,  
D6/336, 338, 349, 352, 363, 374, 375, 380,  
D6/381, 491, 492, 500-502; 297/175, 411.2,  
297/445.1, 446.1, 446.2, 447.1, 447.2, 448.1,  
297/451.2, 452.11, 452.29, 461, 462; 5/12.1,  
5/12.2

See application file for complete search history.

(56) **References Cited**

**U.S. PATENT DOCUMENTS**

D91,517 S *	2/1934	Ellis	.....	D6/352
D151,984 S *	12/1948	Guertin	.....	D6/336
D173,300 S *	10/1954	Bottemiller et al.	.....	D6/352
3,536,359 A *	10/1970	Amos	.....	297/462
3,695,742 A *	10/1972	Allen	.....	312/237
4,232,477 A *	11/1980	Lin	.....	446/71
D262,245 S *	12/1981	Kane	.....	D6/358
D270,308 S *	8/1983	Aronowitz et al.	.....	D6/480
D353,059 S *	12/1994	Hutton	.....	D6/349

D355,077 S *	2/1995	Tegner	.....	D6/334
D384,211 S *	9/1997	Wied et al.	.....	D6/351
D397,879 S *	9/1998	Hutton	.....	D6/349
D406,470 S *	3/1999	Lin	.....	D6/349
D406,480 S *	3/1999	Lin	.....	D6/486
D473,079 S *	4/2003	Barry	.....	D6/486
D530,109 S *	10/2006	Barrett	.....	D6/352
D546,590 S *	7/2007	Frinier	.....	D6/486
D597,326 S *	8/2009	Boutin	.....	D6/349

\* cited by examiner

*Primary Examiner*—Sandra Snapp

(74) *Attorney, Agent, or Firm*—Nash & Titus, LLC

(57) **CLAIM**

The ornamental design for an ottoman, as shown and described.

**DESCRIPTION**

FIGS. 1–3 show the ottoman. From the top view, the ottoman is generally round in shape.

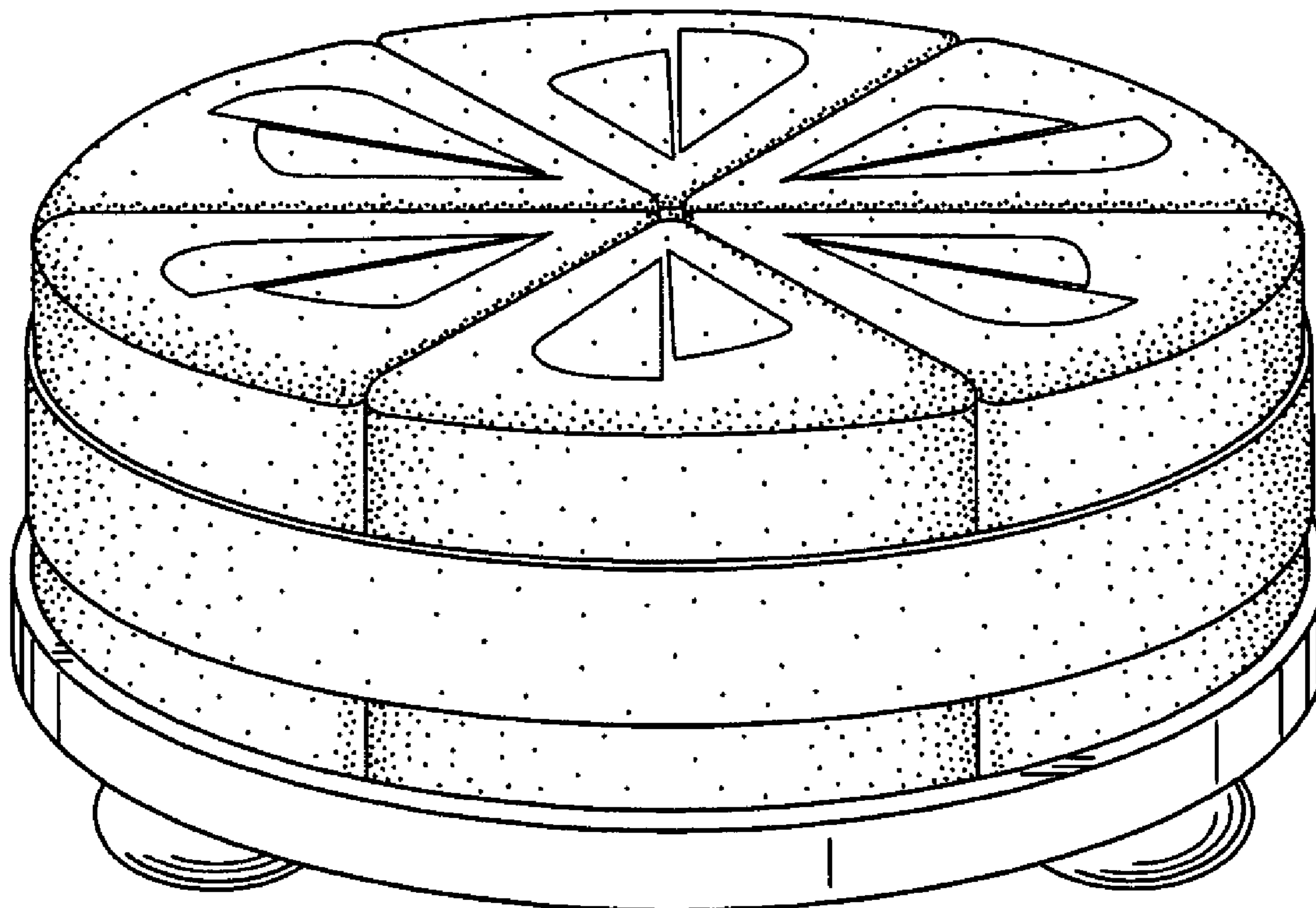
FIG. 1 is a perspective view of the ottoman showing a side and the top of the invention.

FIG. 2 is a top view thereof; and,

FIG. 3 is a side view of the ottoman, the other side views being identical thereto.

In each Figure, all surfaces not shown form no part of the claimed design.

**1 Claim, 2 Drawing Sheets**



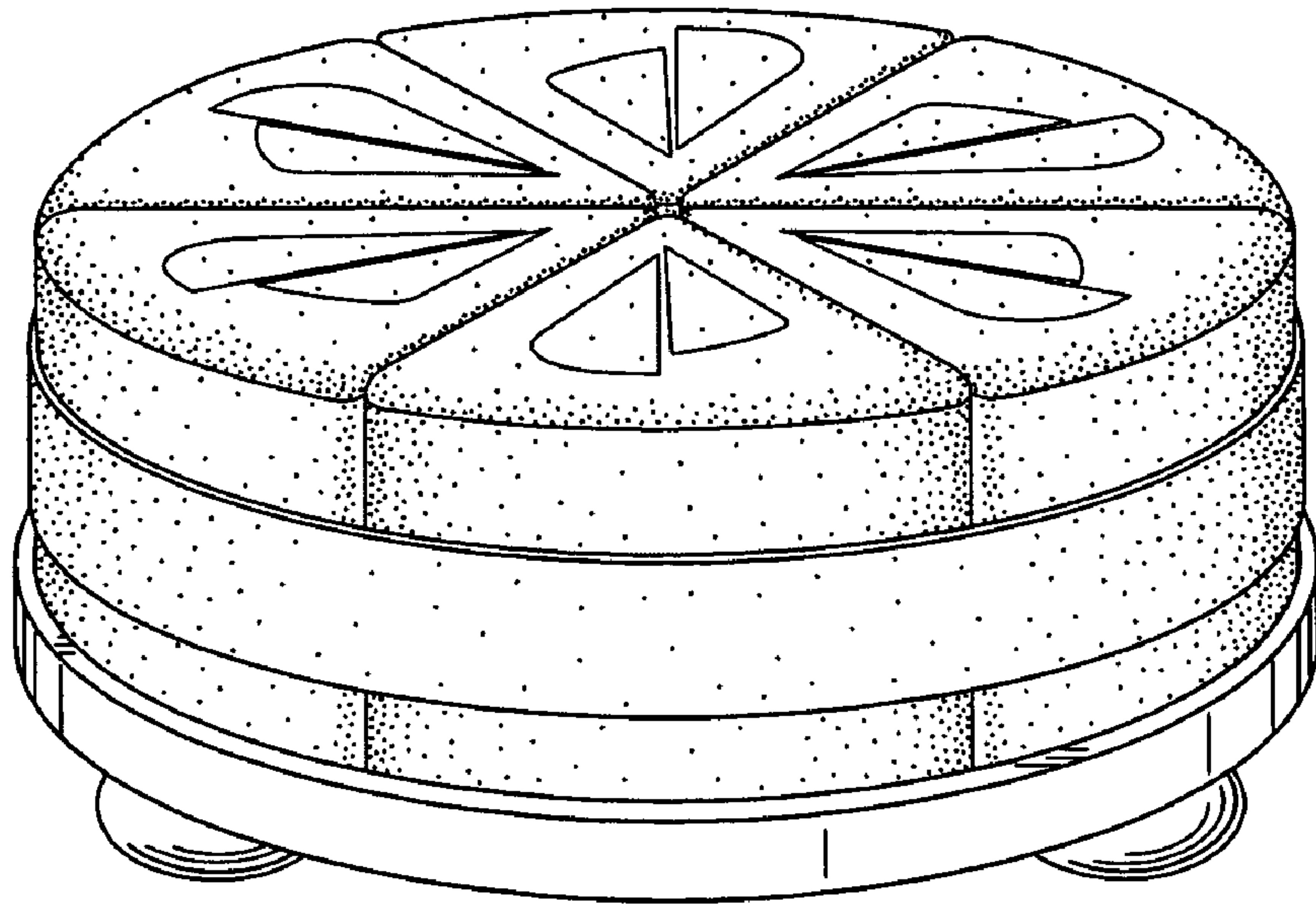


Fig. 1

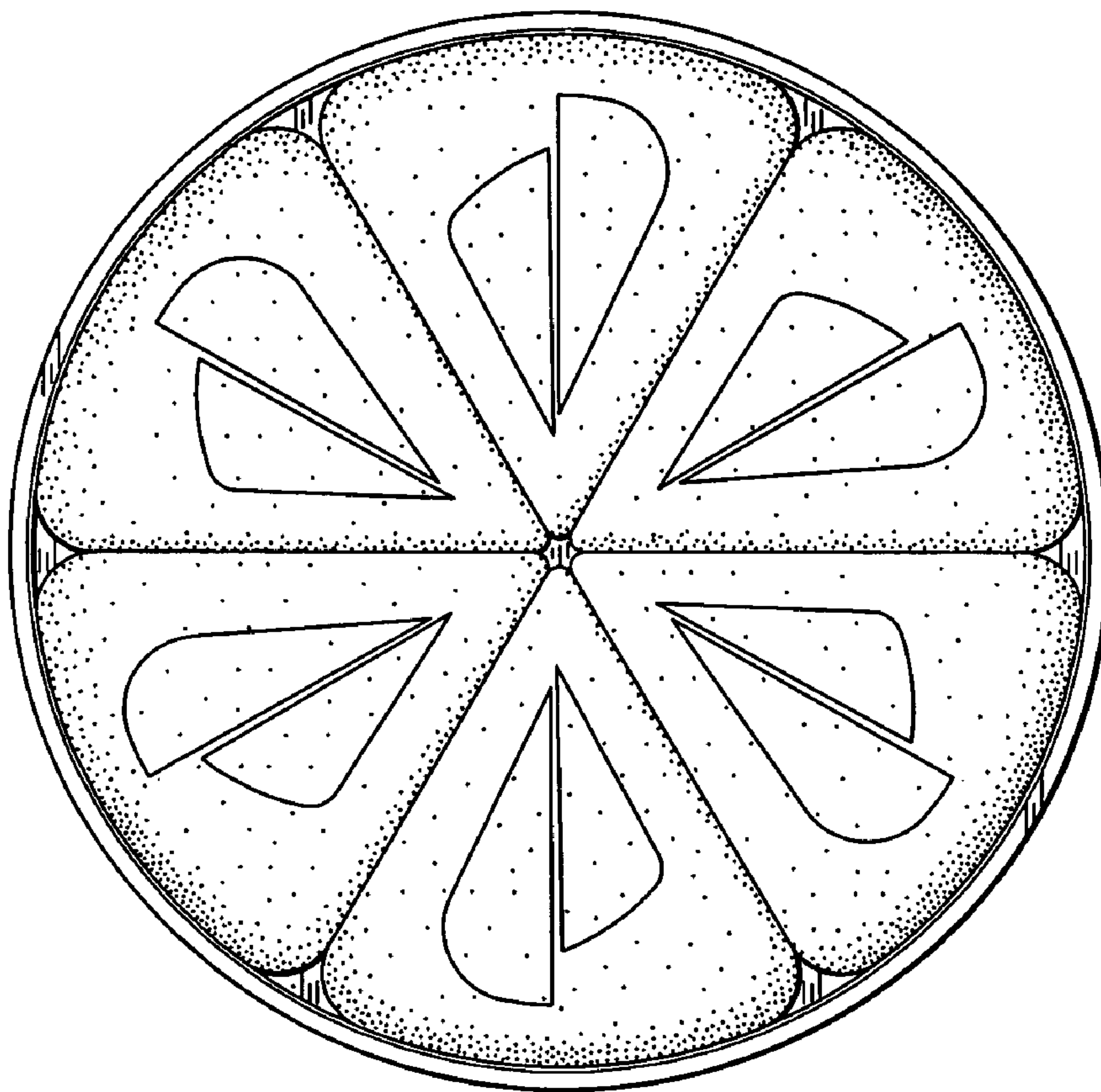


Fig. 2

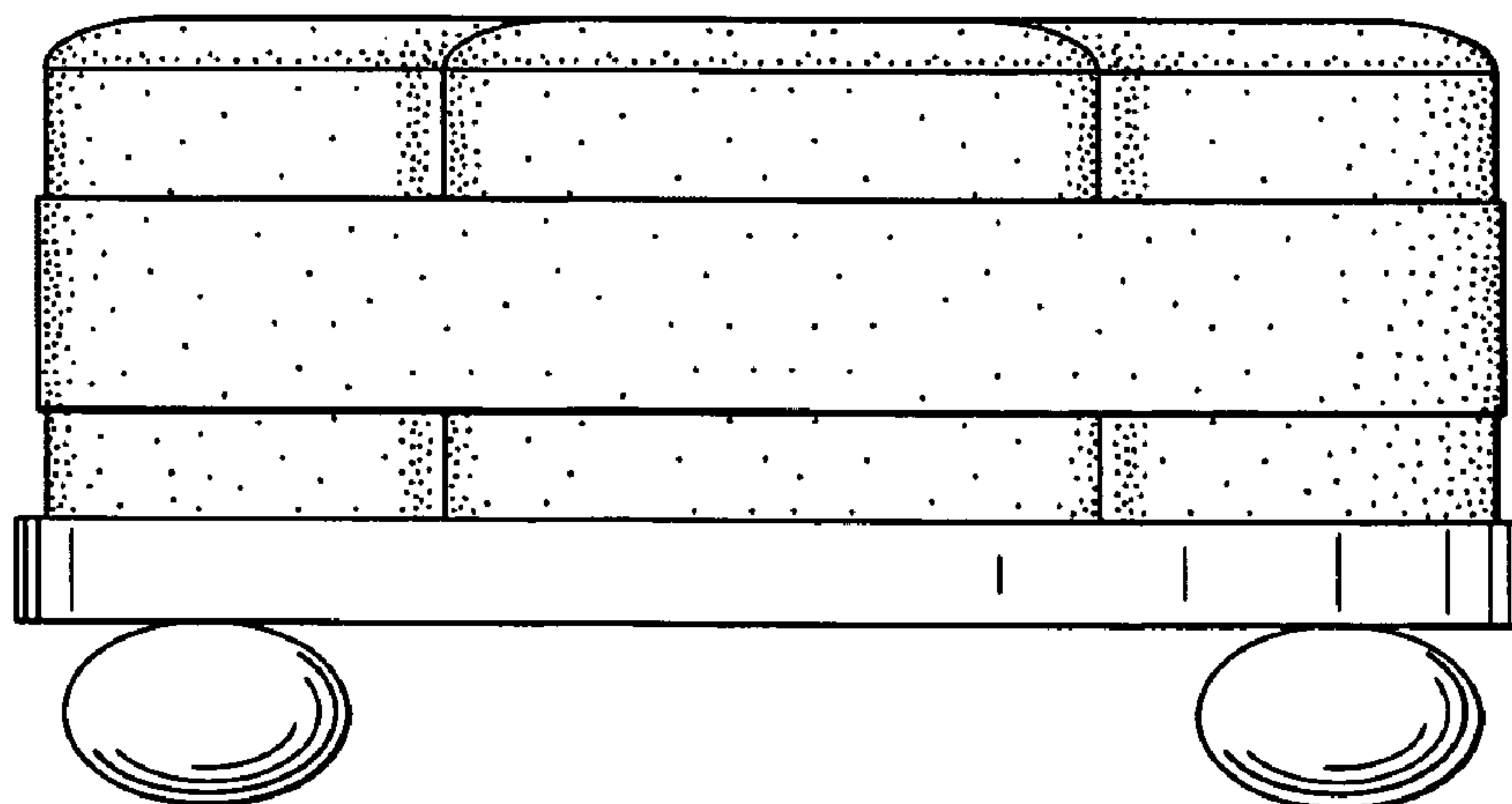


Fig. 3