



US00D616209S

(12) **United States Design Patent**
Singler et al.

(10) **Patent No.:** **US D616,209 S**

(45) **Date of Patent:** **** May 25, 2010**

(54) **SEATING STRUCTURE**

(75) Inventors: **Ronald David Singler**, Seattle, WA
(US); **Christian John Jochman**, Seattle,
WA (US)

(73) Assignee: **Microsoft Corporation**, Redmond, WA
(US)

(**) Term: **14 Years**

(21) Appl. No.: **29/320,549**

(22) Filed: **Jun. 27, 2008**

(51) **LOC (9) Cl.** **06-01**

(52) **U.S. Cl.** **D6/338**

(58) **Field of Classification Search** D6/330,
D6/335-338, 340, 349-355, 358, 359, 364,
D6/366, 376, 491, 495, 500-502; 297/16.1,
297/39, 46, 135, 140, 156, 158.3, 158.4,
297/175, 177, 187, 195.1, 195.11, 211, 245,
297/423.1, 423.16, 445.1, 461, 462, 136,
297/170, 172, 174 F

See application file for complete search history.

(56) **References Cited**

U.S. PATENT DOCUMENTS

D153,373 S * 4/1949 Metro D6/338
D158,892 S * 6/1950 Murphy et al. D6/338
D218,420 S * 8/1970 Welmer D6/338
D251,640 S * 4/1979 Hindman D6/338
D254,999 S * 5/1980 Dieter et al. D6/338

D268,276 S * 3/1983 Rados D21/479
D273,060 S * 3/1984 Martin D6/338
D308,404 S * 6/1990 Goodwin D6/338
5,011,228 A * 4/1991 Marcantel 297/440.13
D329,756 S * 9/1992 Gandy D6/338
D373,476 S * 9/1996 Hull D6/338
D435,975 S * 1/2001 Ranspach D6/338
D447,640 S * 9/2001 Ranspach D6/338
D482,538 S * 11/2003 Fischer D6/336

* cited by examiner

Primary Examiner—Sandra Snapp

(74) *Attorney, Agent, or Firm*—Banner & Witcoff, Ltd.

(57) **CLAIM**

The ornamental design for a seating structure, as shown and described.

DESCRIPTION

FIG. 1 is a front perspective view of the seating structure showing the new design;

FIG. 2 is a left side view thereof;

FIG. 3 is a right side view thereof;

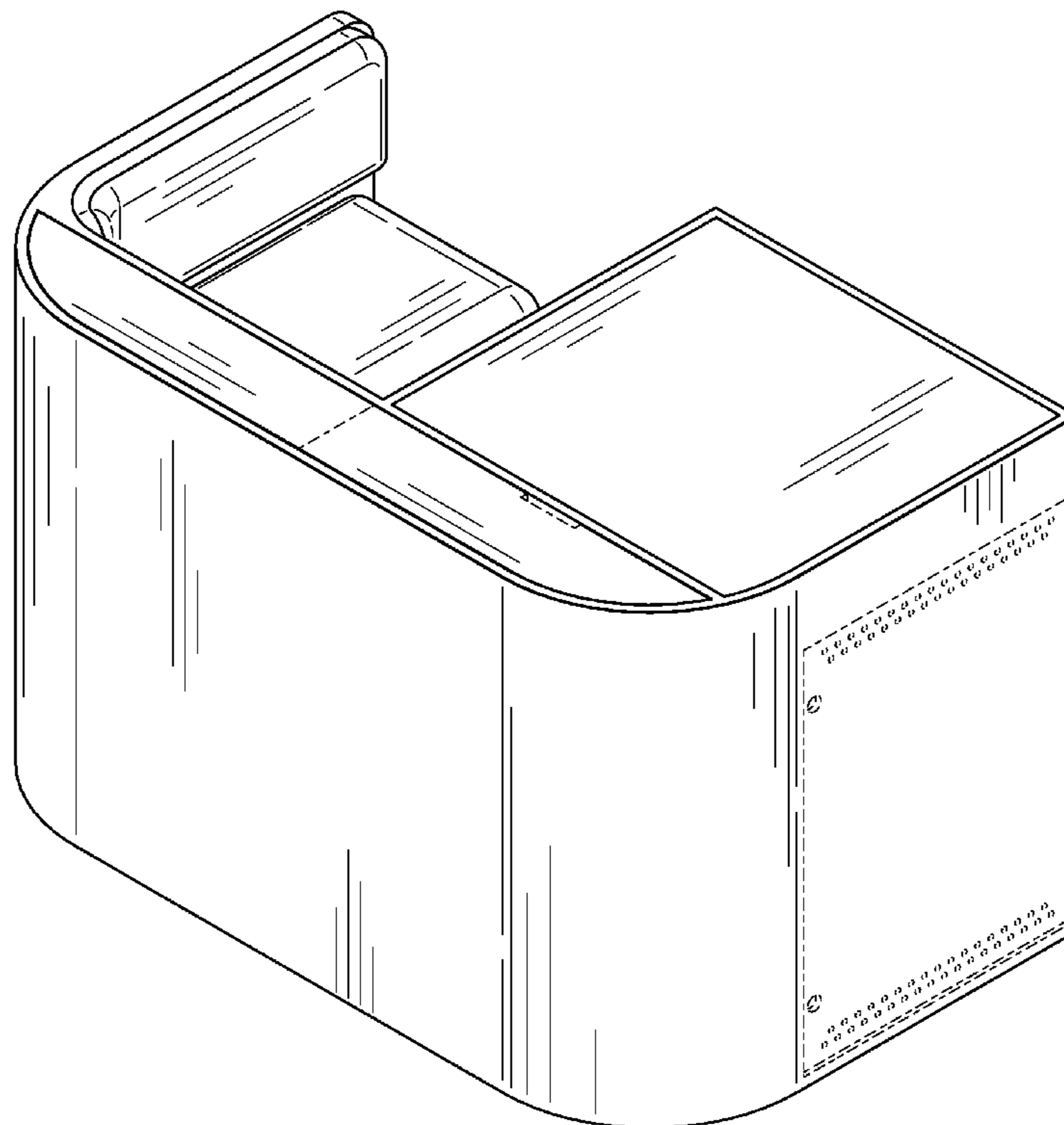
FIG. 4 is a front view thereof;

FIG. 5 is a rear view thereof; and,

FIG. 6 is a top view thereof.

The broken line showing of various regions and the unshaded areas there within are for illustrative purposes only and forms no part of the claimed design.

1 Claim, 4 Drawing Sheets



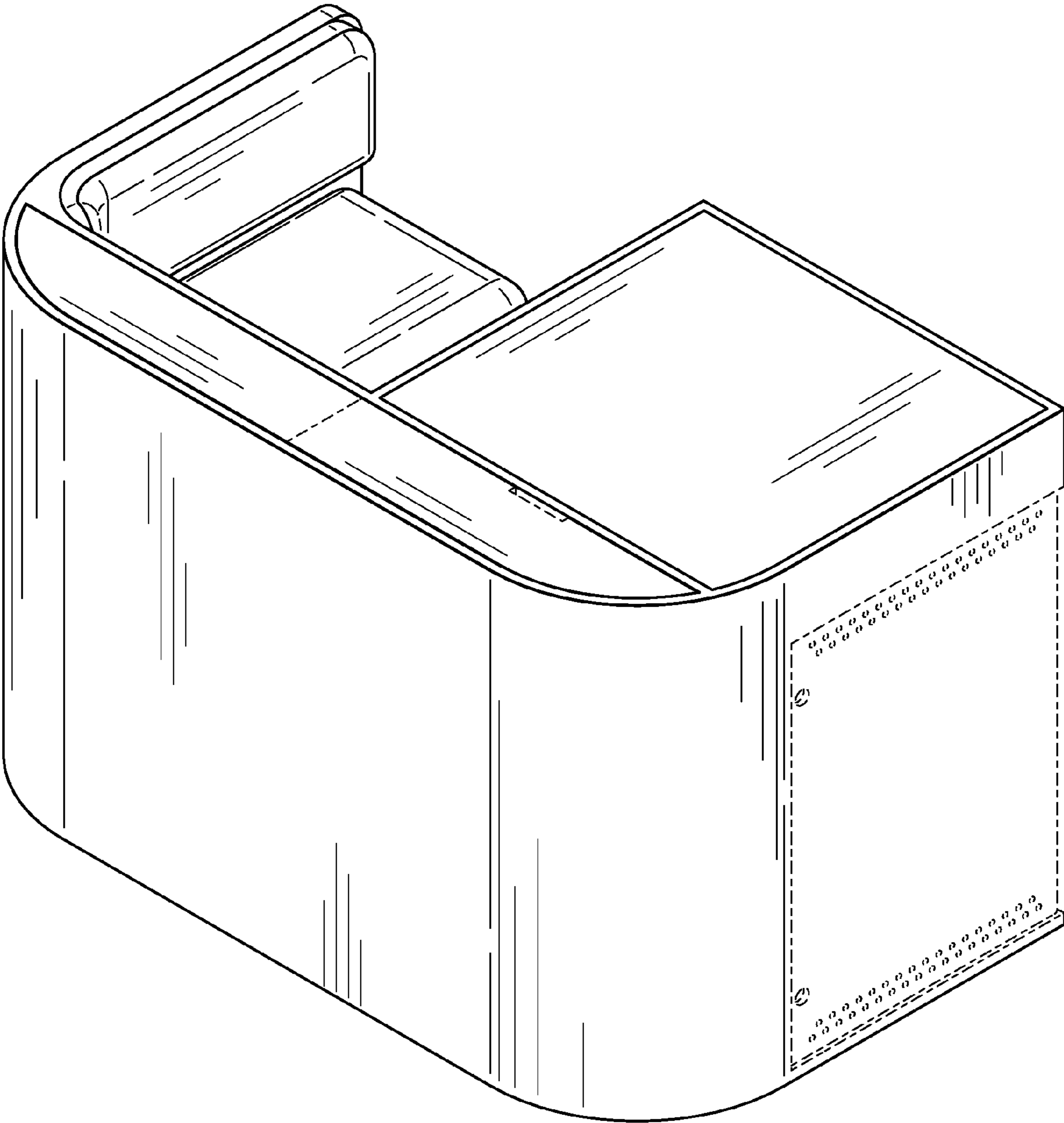


FIG. 1

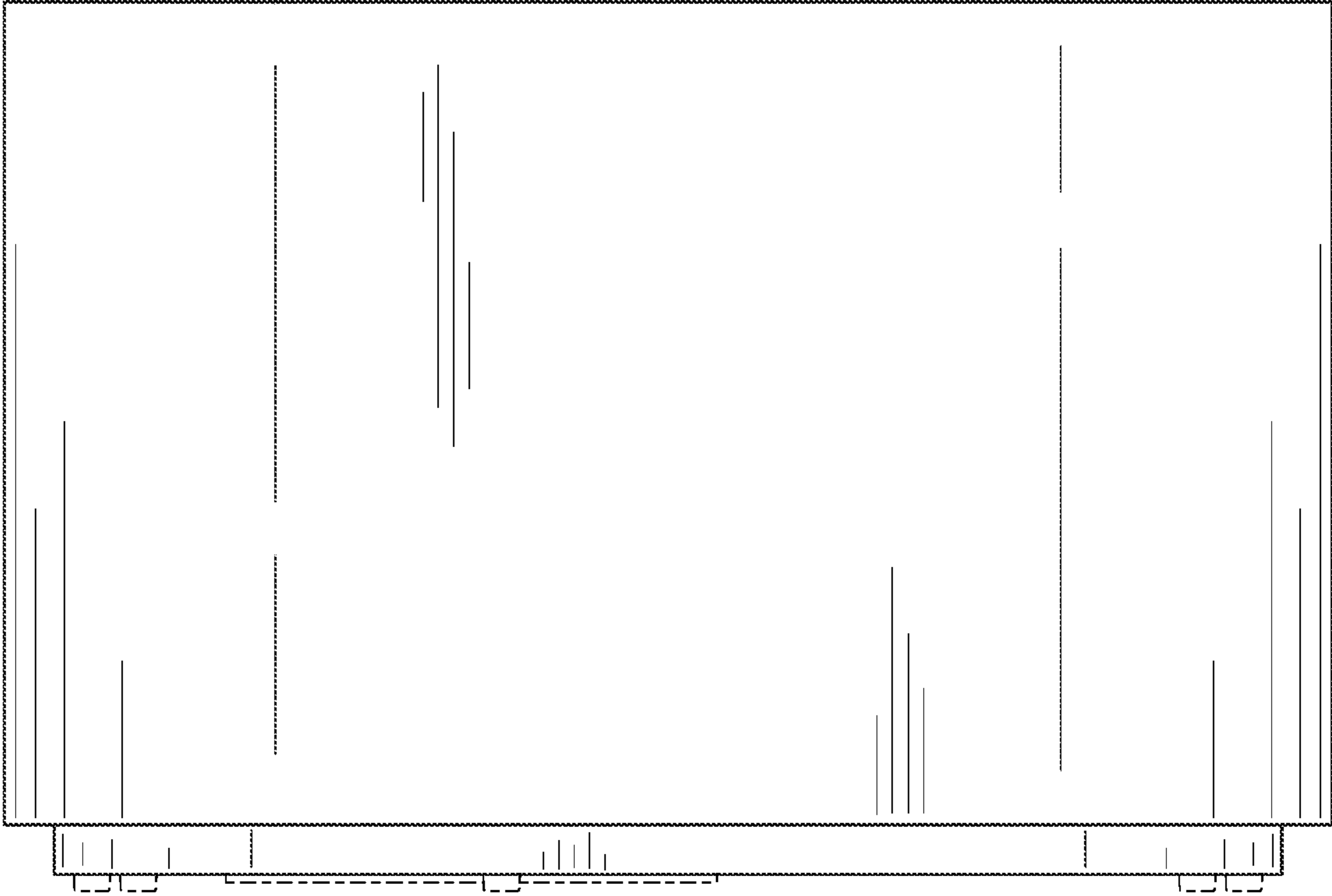


FIG. 2

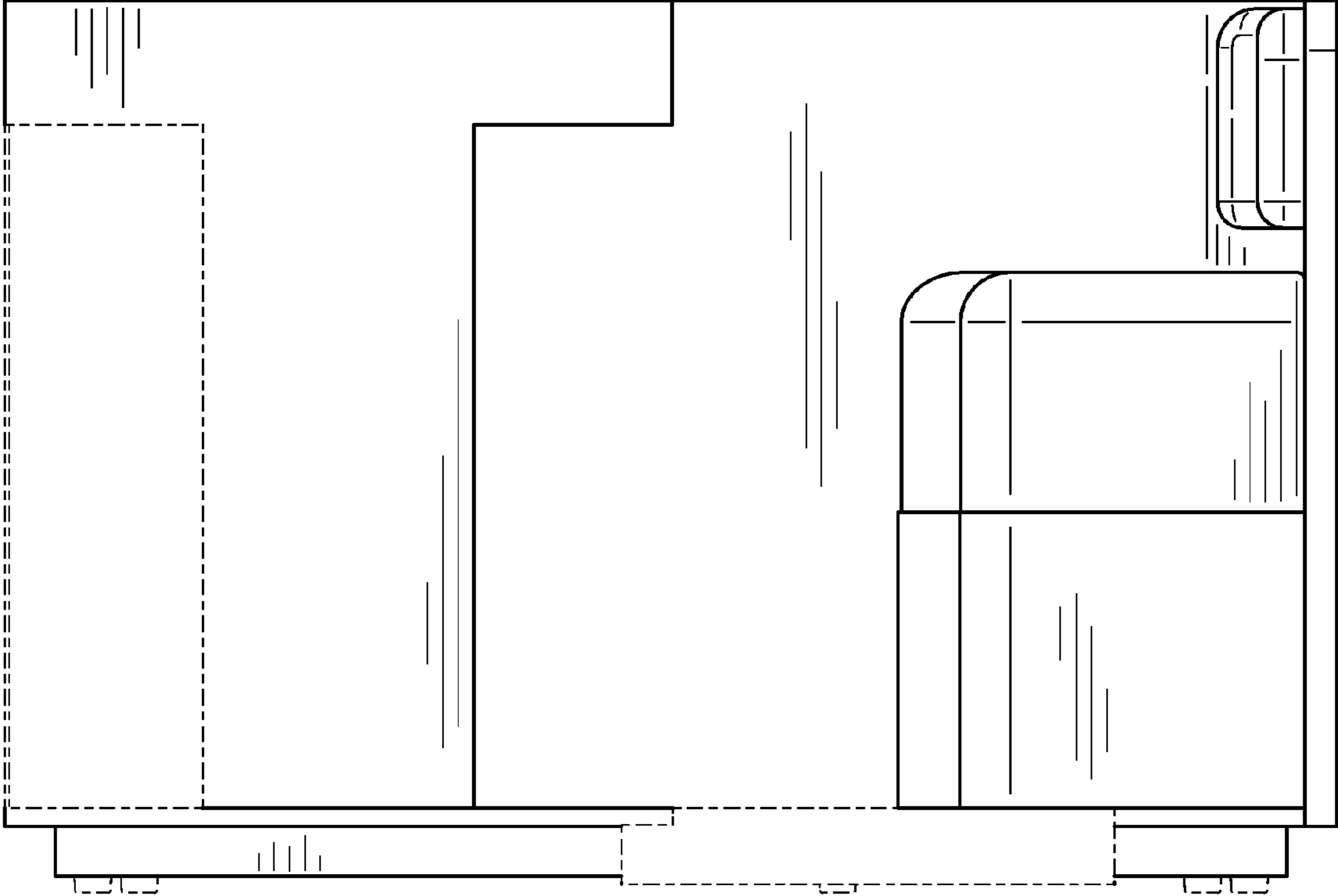


FIG. 3

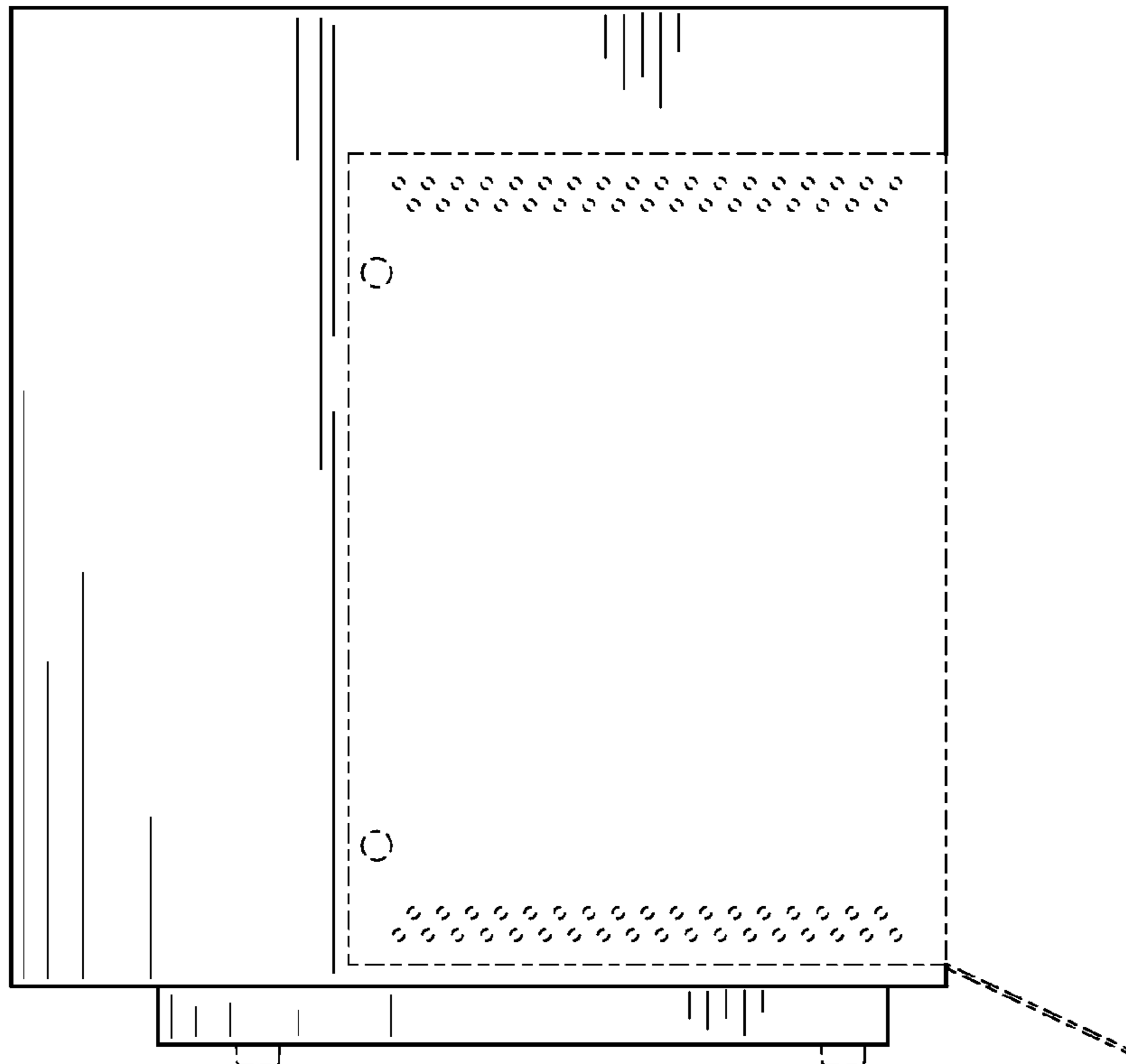


FIG. 4

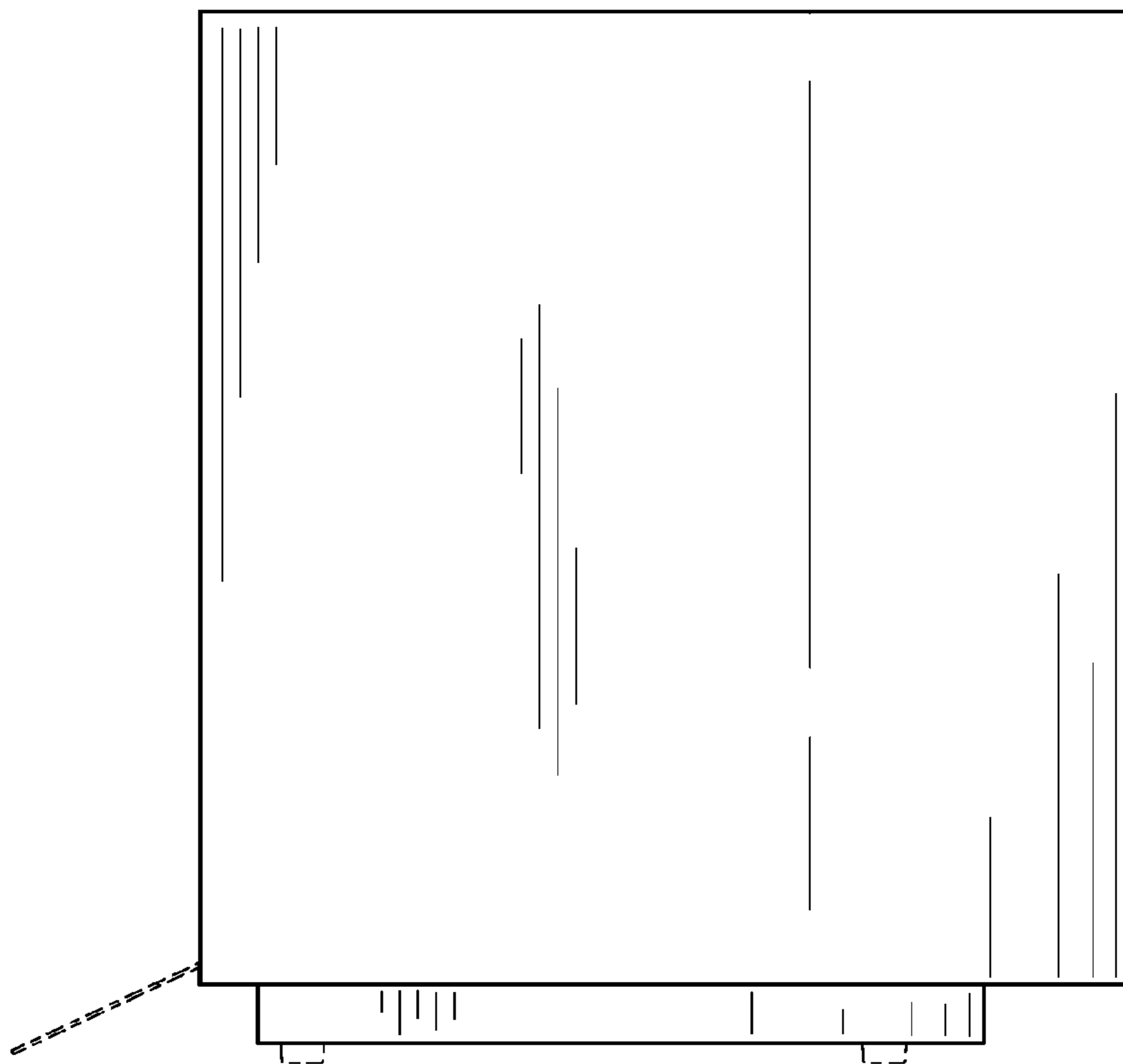


FIG. 5

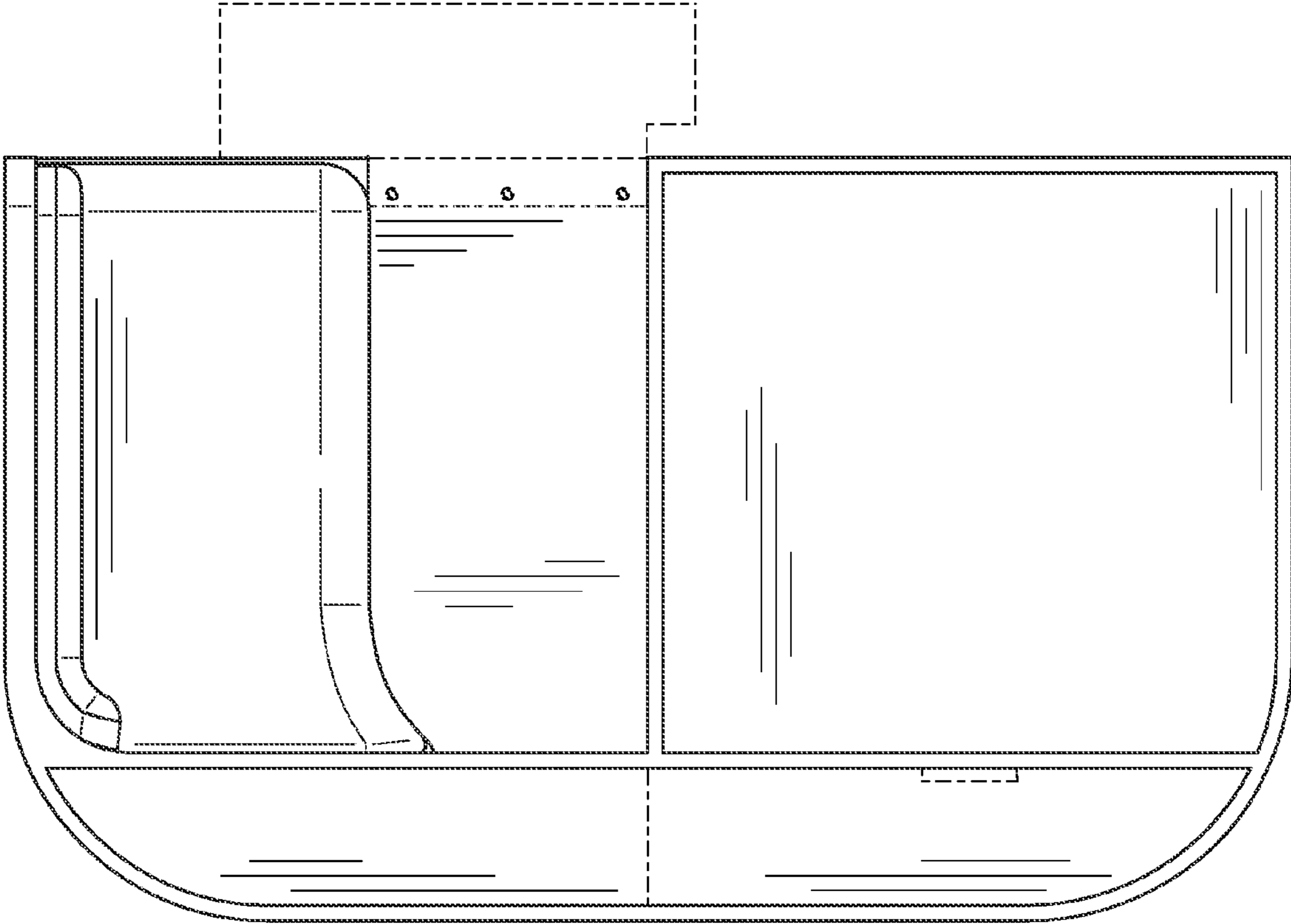


FIG. 6