



US00D616202S

(12) **United States Design Patent**  
**Whitlock et al.**

(10) **Patent No.:** **US D616,202 S**  
(45) **Date of Patent:** **\*\* May 25, 2010**

(54) **COLLAPSIBLE MESH BASKET**

2006/0163249 A1\* 7/2006 Fu ..... 220/9.4  
2008/0053995 A1\* 3/2008 Wang ..... 220/9.2

(76) Inventors: **Paul Whitlock**, Picnic At Ascot, 3237  
131st St., Hawthorne, CA (US) 90250;  
**Valerie Whitlock**, Picnic At Ascot, 3237  
131st St., Hawthorne, CA (US) 90250

\* cited by examiner

*Primary Examiner*—T. Chase Nelson  
*Assistant Examiner*—Ania K Dworzecka  
(74) *Attorney, Agent, or Firm*—D. Whitlow Bivens

(\*\*) Term: **14 Years**

(21) Appl. No.: **29/316,171**

(57) **CLAIM**

(22) Filed: **Aug. 31, 2009**

The ornamental design for a collapsible mesh basket, as shown and described.

(51) **LOC (9) Cl.** ..... **03-01**

(52) **U.S. Cl.** ..... **D3/306**

(58) **Field of Classification Search** ..... D3/304–314;  
D19/75, 78, 86, 90, 91, 99, 100; D6/566,  
D6/567, 569, 512, 553; 211/10, 11, 13.1,  
211/45, 50, 52, 55, 87.01, 90.03, 126.9, 126.13,  
211/88.01; 220/456, 9.4, 6, 7, 600

See application file for complete search history.

**DESCRIPTION**

FIG. 1 is a perspective view of a collapsible mesh basket showing our new design in a first configuration;

FIG. 2 is a right side elevation view thereof;

FIG. 3 is a top plan view thereof;

FIG. 4 is an end elevation view thereof;

FIG. 5 is a left side elevation view thereof;

FIG. 6 is a perspective view from above of our new design in a second configuration;

FIG. 7 is a perspective view from below of our new design in a second configuration; and,

FIG. 8 is a sectional view of our new design in a second configuration taken along lines 8—8 of FIG. 7.

(56) **References Cited**

U.S. PATENT DOCUMENTS

821,010	A *	5/1906	Wilcox	.....	217/122
2,042,977	A *	6/1936	Ahlmark et al.	.....	220/9.3
D276,281	S *	11/1984	Landgren	.....	D3/309
D474,603	S *	5/2003	Berenguer	.....	D3/307
D508,322	S *	8/2005	Horst	.....	D3/315
D553,361	S *	10/2007	Splain et al.	.....	D3/304
D598,196	S *	8/2009	Vreeland	.....	D3/304

**1 Claim, 7 Drawing Sheets**

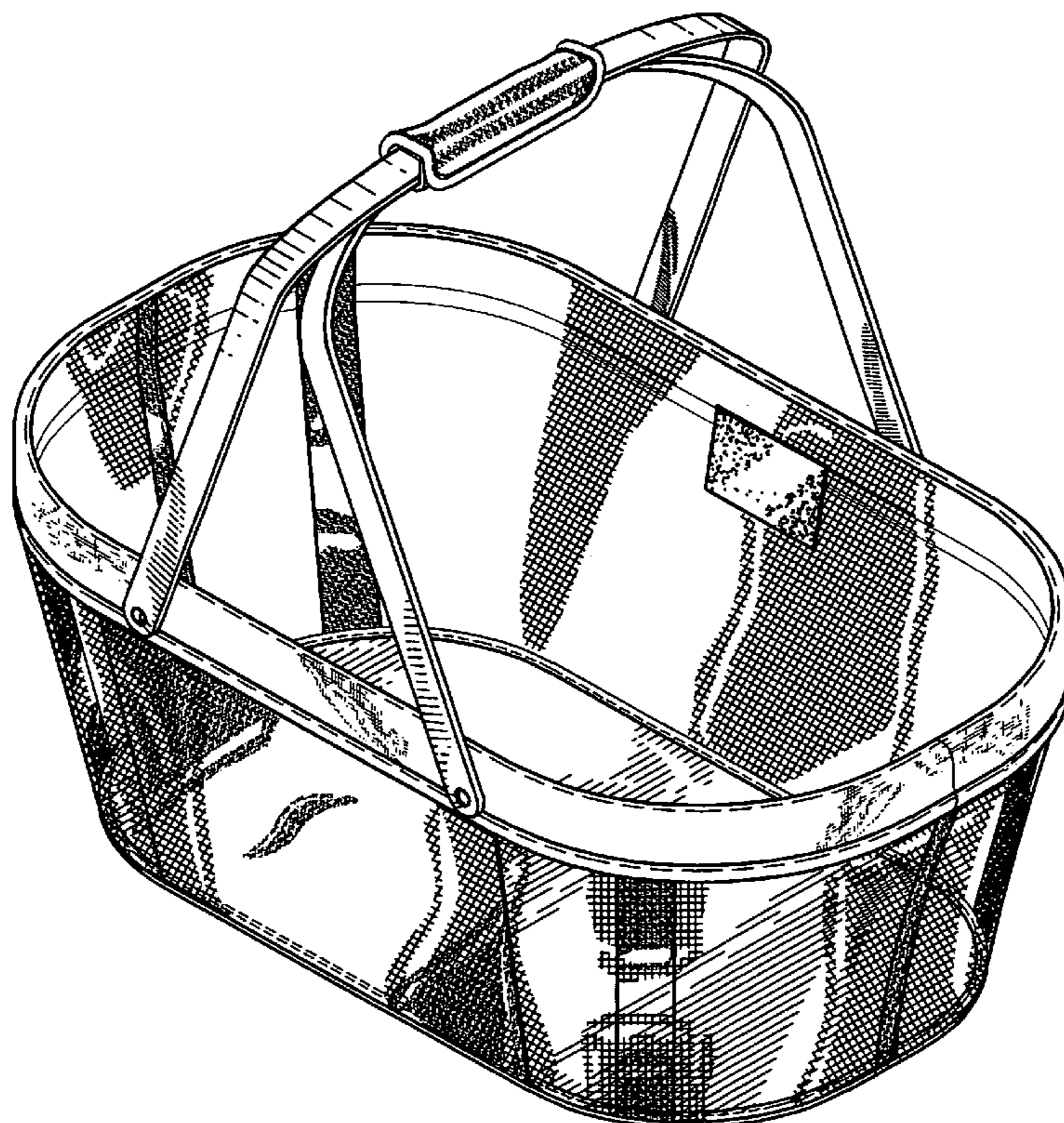


FIG. 1

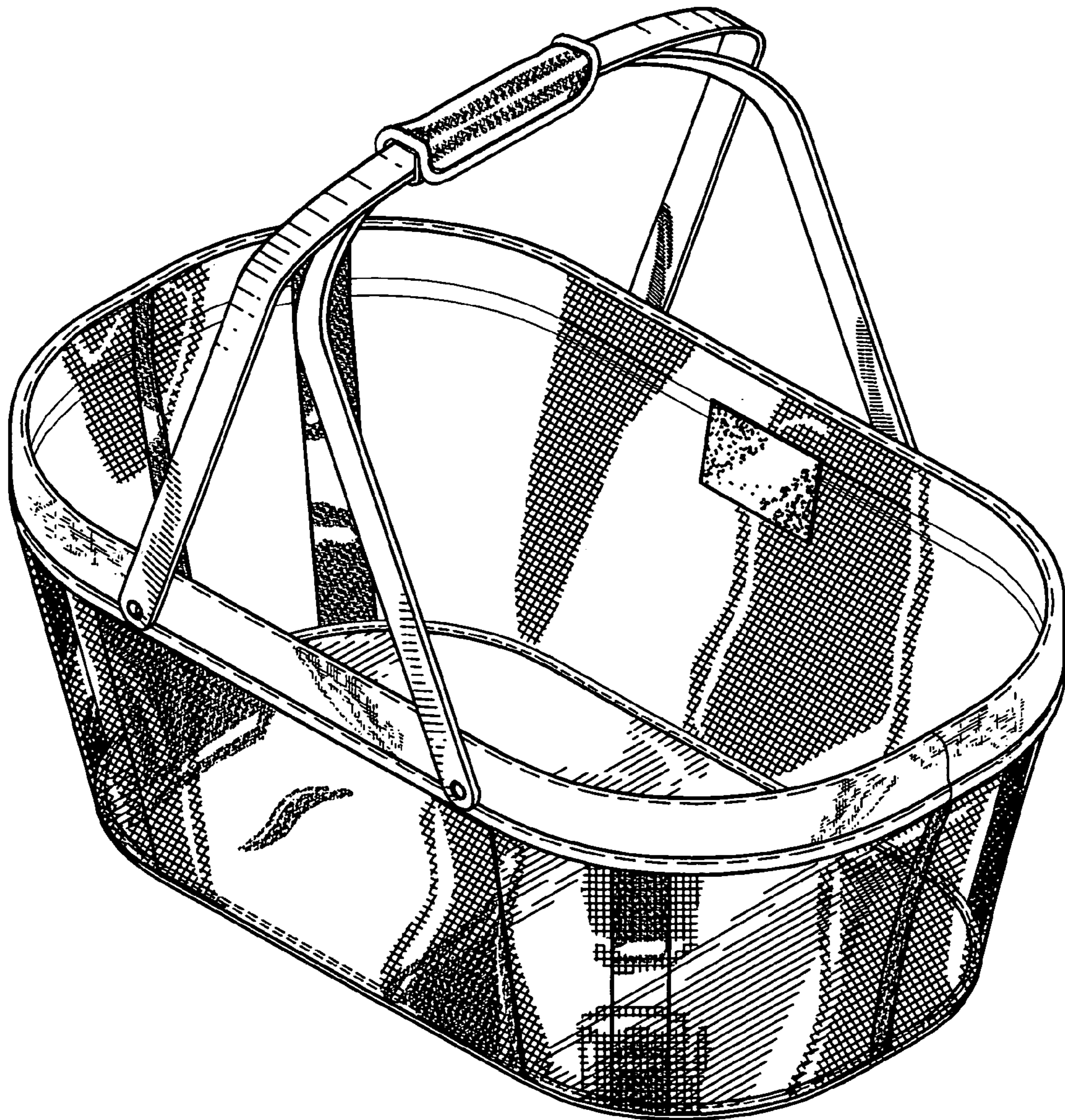


FIG. 2

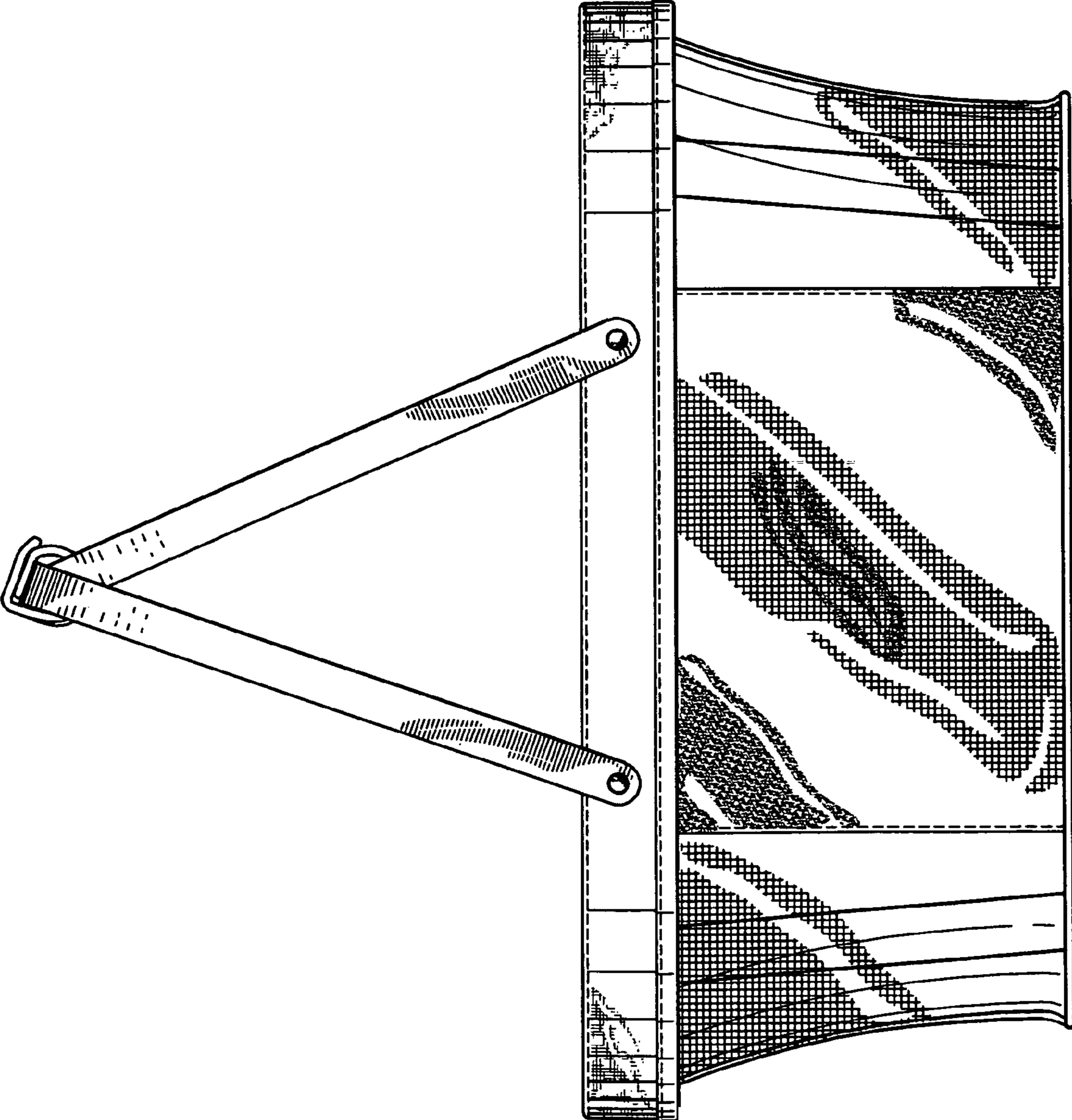


FIG. 3

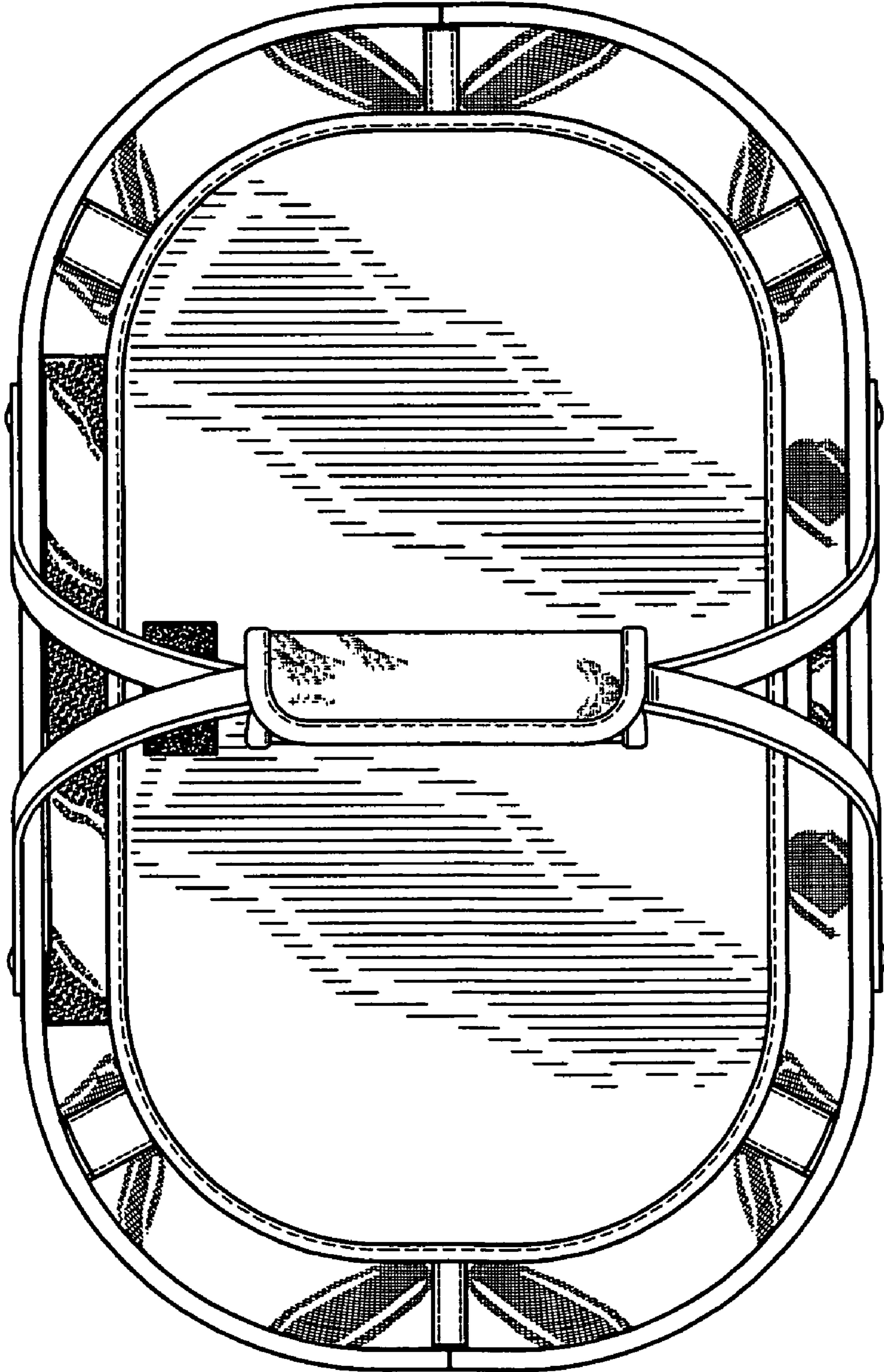


FIG. 4

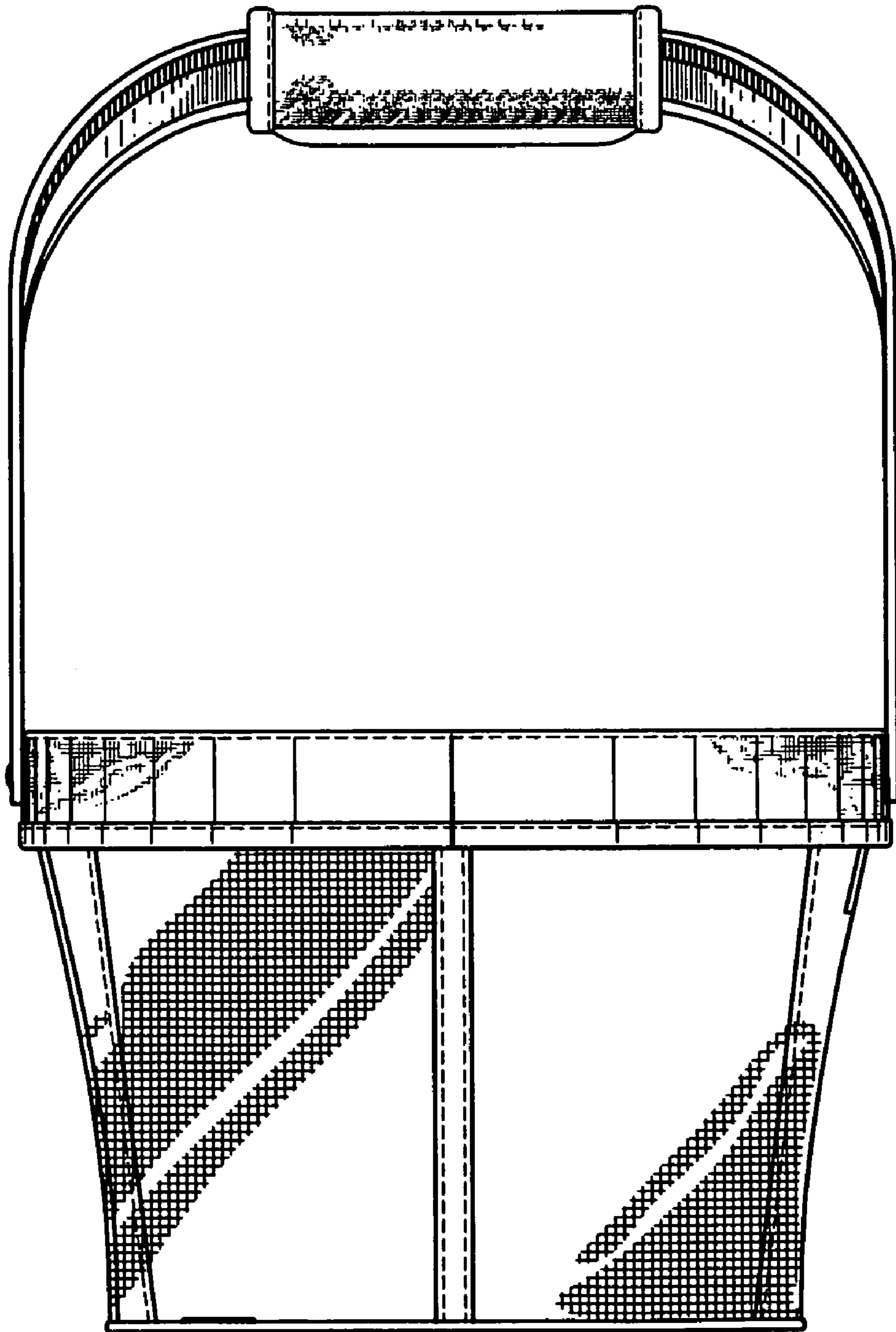


FIG. 5

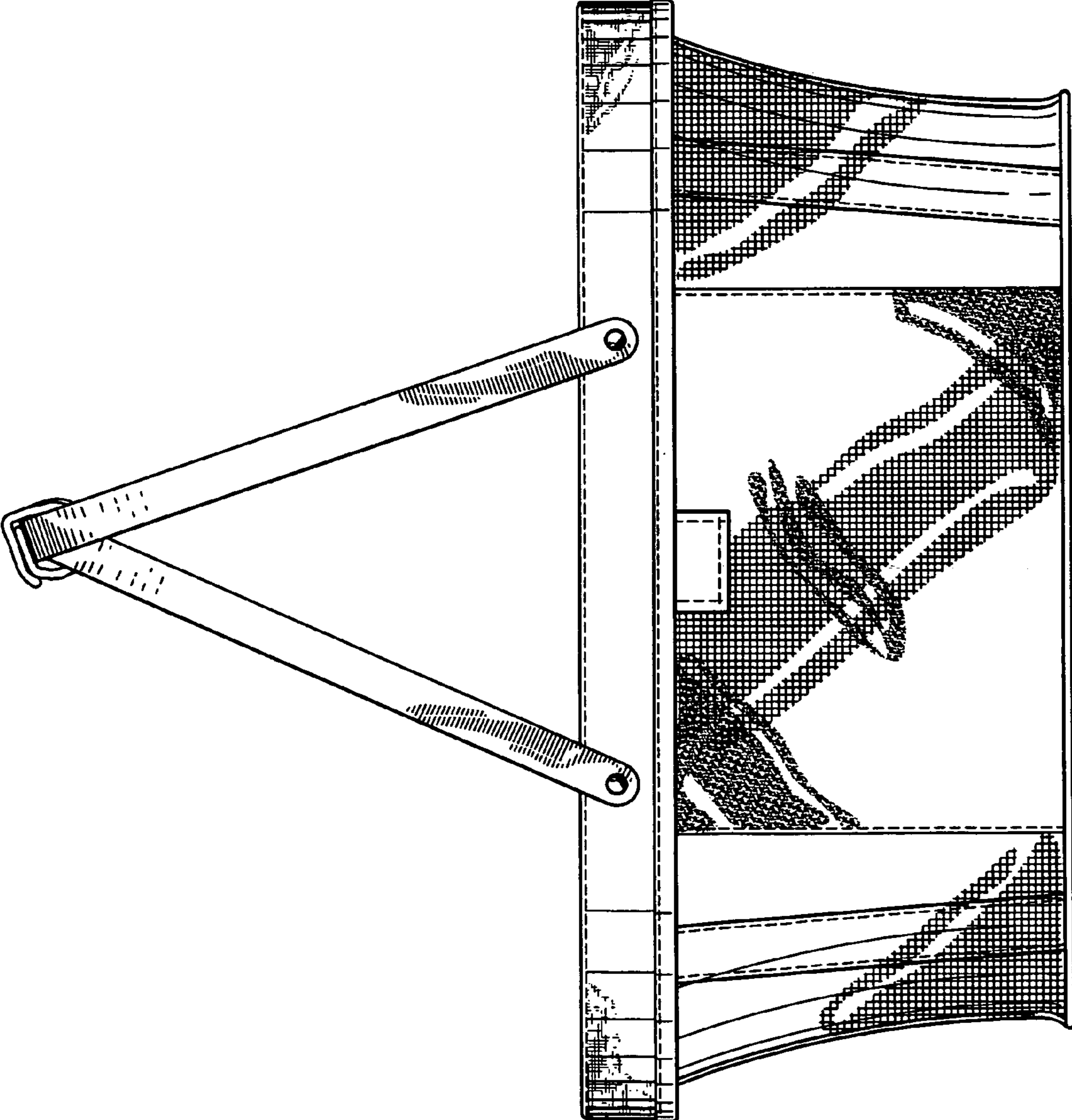
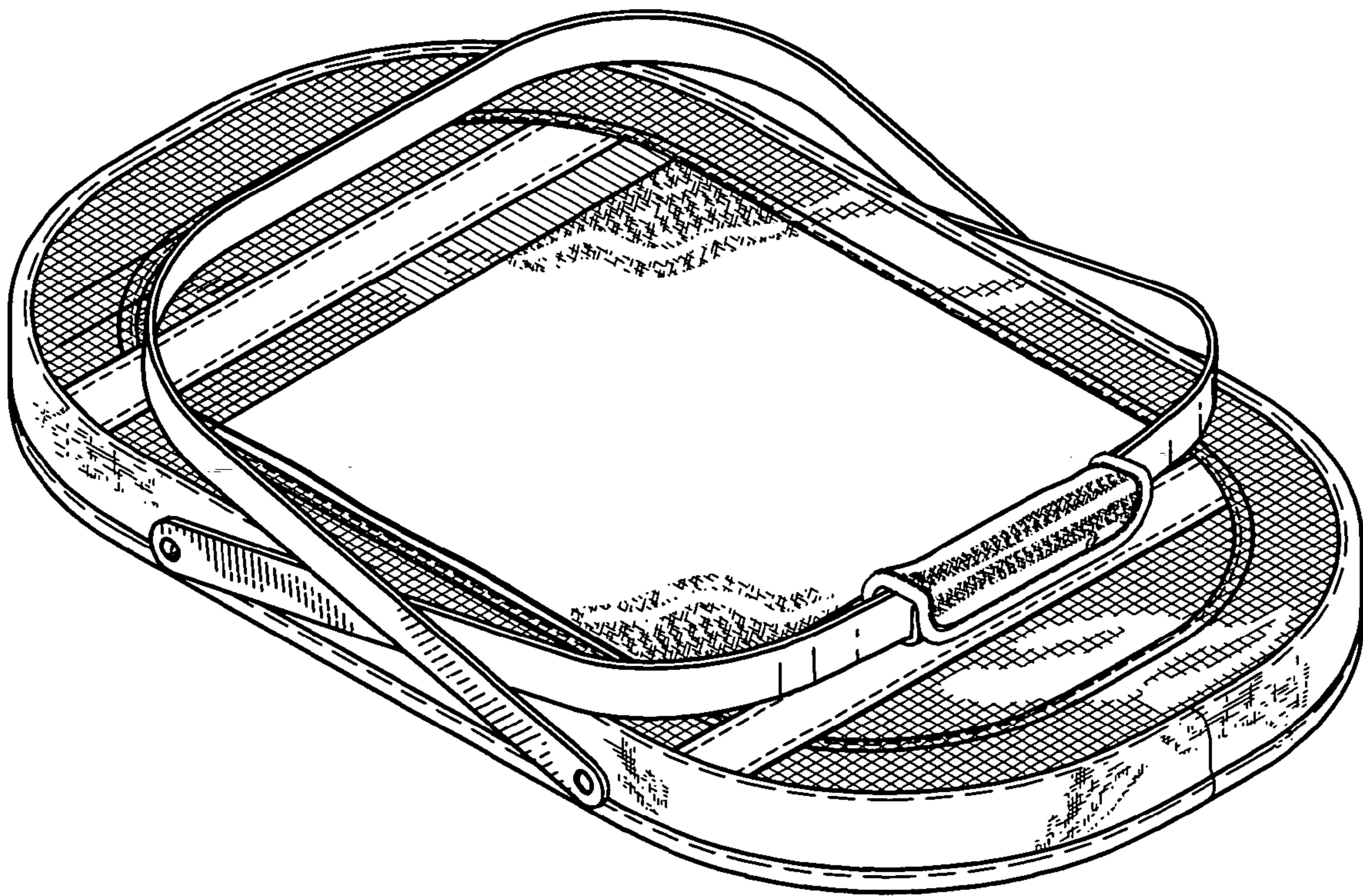


FIG. 6



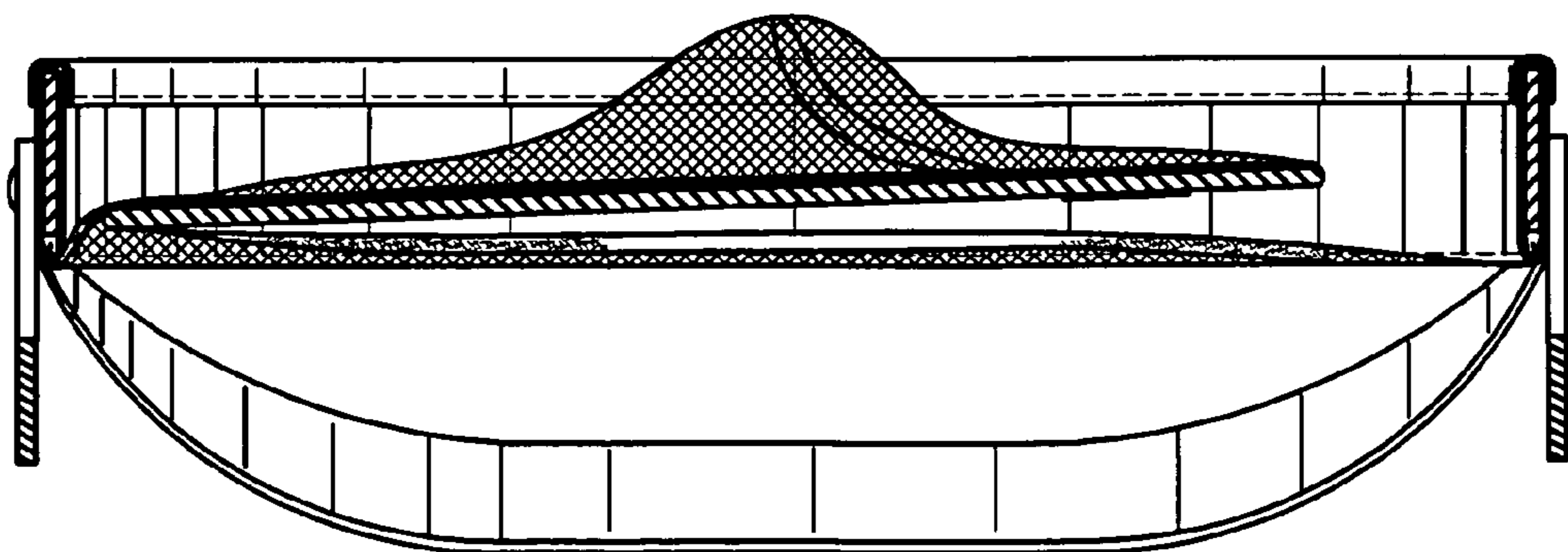
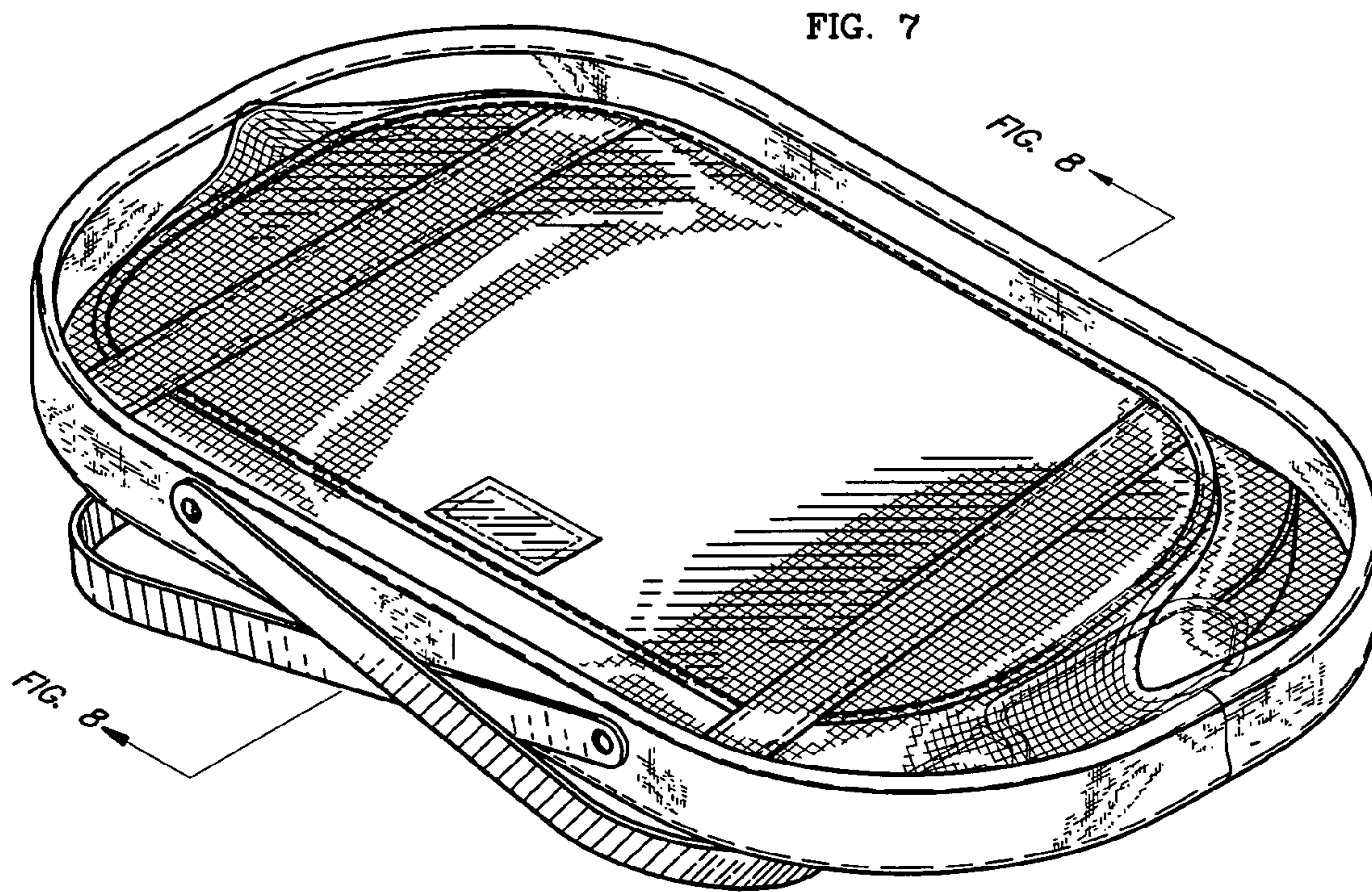


FIG. 8