



US00D616199S

(12) **United States Design Patent**
Swartz et al.

(10) **Patent No.:** **US D616,199 S**
(45) **Date of Patent:** **** May 25, 2010**

(54) **CAMERA CASE**

(75) Inventors: **John R. Swartz**, Ridgewood, NJ (US);
Aaron Lown, Tuxedo, NY (US); **Sally Rumble**, New York, NY (US)

(73) Assignee: **Built NY, Inc**, New York, NY (US)

(**) Term: **14 Years**

(21) Appl. No.: **29/350,165**

(22) Filed: **Nov. 12, 2009**

(51) **LOC (9) Cl.** **03-01**

(52) **U.S. Cl.** **D3/267; D3/263; D3/268**

(58) **Field of Classification Search** D3/201,
D3/202, 219, 233, 243, 263, 265, 267, 268,
D3/276; 224/908, 673; 206/316.1, 316.2;
248/187.1; 292/DIG. 48

See application file for complete search history.

(56) **References Cited**

U.S. PATENT DOCUMENTS

665,942 A	1/1901	Tabler	
1,808,375 A	6/1931	Plooster	
1,983,418 A	12/1934	Thurmer	
2,123,031 A	7/1938	Weiner	
D117,147 S	10/1939	Karoff D9/719
2,297,375 A	9/1942	Vogt	
D142,442 S	9/1945	Rath D3/426
D167,207 S	7/1952	Haars D7/624.3
3,559,873 A	2/1971	Hart 229/54
4,062,392 A	12/1977	Ishii 150/1.7
4,180,111 A	12/1979	Davis 150/1.7
4,197,890 A	4/1980	Simko 150/2.2
D266,048 S	9/1982	Zills D7/70
4,428,484 A	1/1984	Rattay et al. 206/548
4,560,068 A	12/1985	Membrino 206/554
D289,128 S	4/1987	Bradshaw D7/77
4,681,225 A	7/1987	Schuster 206/426
4,696,403 A	9/1987	Hoover 206/602
D293,622 S *	1/1988	Suyama D3/219
4,750,639 A	6/1988	Schaerer 220/410

4,872,766 A	10/1989	Dancy 383/10
4,884,683 A	12/1989	Ford 206/163
4,955,516 A	9/1990	Satterfield 224/35
4,984,662 A	1/1991	Jacober 190/107
5,090,526 A	2/1992	Jacober 190/107
5,110,020 A	5/1992	Uhl 224/32 R
D343,951 S *	2/1994	Petty et al. D3/249
D357,845 S	5/1995	Herszenberg D7/607
D366,758 S *	2/1996	Weiler D3/219

(Continued)

Primary Examiner—Celia A Murphy

(74) *Attorney, Agent, or Firm*—Lackebach Siegel, LLP;
Andrew F. Young

(57) **CLAIM**

The ornamental design for a camera case, as shown and described.

DESCRIPTION

FIG. 1 is a front elevation view of the present invention.

FIG. 2 is a left side elevation view of FIG. 1, the right side being a mirror image thereof.

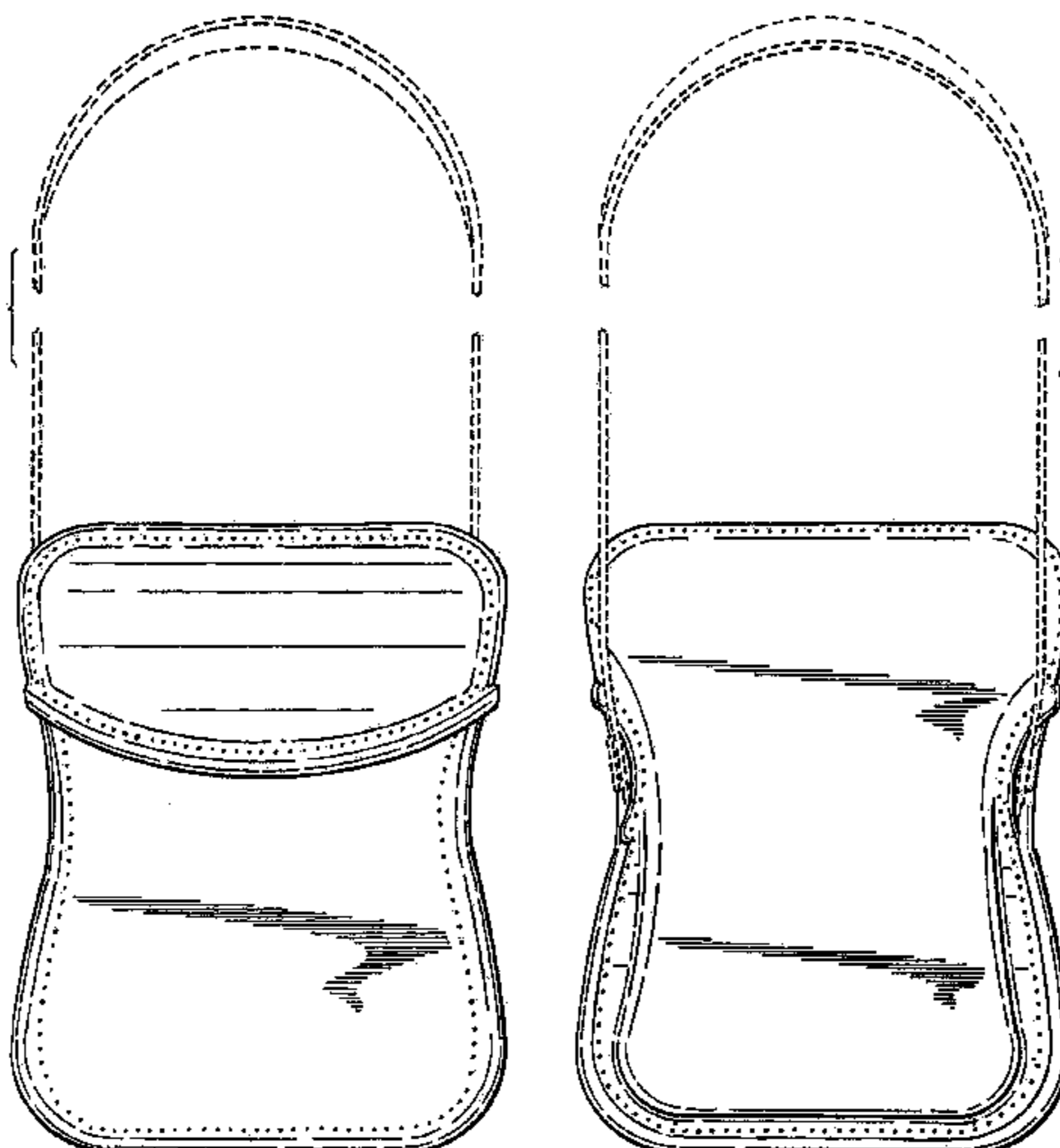
FIG. 3 is a rear elevation view of FIG. 1.

FIG. 4 is a top plan view of FIG. 1; and,

FIG. 5 is a bottom plan view of FIG. 1.

The broken lines showing a strap and snap throughout the views represent the portions of the design that form no part of the claim. The dotted lines shown on the surface of the camera case throughout the views represent stitching and that forms no part of the claim.

1 Claim, 3 Drawing Sheets



US D616,199 S

U.S. PATENT DOCUMENTS

D368,581 S	*	4/1996	Cincotta	D3/218	D570,109 S	6/2008	Lown
5,503,476 A		4/1996	Hamdan	383/9	D570,600 S	6/2008	Lown
D376,956 S		12/1996	Sharp	D7/607	D571,099 S	6/2008	Lown
5,624,048 A		4/1997	Sander et al.	215/395	D571,629 S	6/2008	Lown
D379,119 S		5/1997	Wolfe et al.	D3/229	D572,093 S	7/2008	Lown
D399,707 S		10/1998	Villarreal et al.	D7/607	7,467,729 B2	12/2008	Lown
D400,351 S	*	11/1998	Hatchiguian	D3/219	D584,048 S	1/2009	Lown
D404,620 S		1/1999	Raush	D7/709	D584,146 S	1/2009	Lown
D409,450 S		5/1999	Hamilton	D7/607	D584,147 S	1/2009	Lown
D414,083 S		9/1999	Hamilton	D7/607	D584,510 S	1/2009	Lown
6,062,434 A		5/2000	Melk	222/175	D584,929 S	1/2009	Lown
6,068,402 A		5/2000	Freese et al.	383/110	D584,930 S	1/2009	Lown
6,131,780 A		10/2000	Becker	224/148.6	D586,555 S	2/2009	Lown
D433,802 S		11/2000	Graham	D3/229	D586,556 S	2/2009	Lown
D435,964 S		1/2001	Lentz	D3/239	D586,631 S	2/2009	Lown
D441,612 S		5/2001	Hamilton	D7/607	D587,004 S	2/2009	Lown
D451,665 S		12/2001	Phillips et al.	D3/202	D588,356 S	3/2009	Lown
D462,164 S		9/2002	Phillips	D3/202	D588,422 S	3/2009	Lown
D466,002 S		11/2002	Jones	D9/710	D588,841 S	3/2009	Lown
D469,956 S		2/2003	Cone et al.	D3/303	D591,508 S	5/2009	Lown
D474,887 S		5/2003	Forster	D3/229	D591,509 S	5/2009	Lown
D489,526 S		5/2004	Held	D3/203.1	D592,912 S	5/2009	Lown
D507,875 S	*	8/2005	Hillman	D3/267	D593,786 S	6/2009	Lown
D513,363 S		1/2006	Lown		D594,158 S	6/2009	Lown
D514,399 S		2/2006	Lown		D594,648 S	6/2009	Lown
D514,803 S		2/2006	Lown		D594,659 S	6/2009	Lown et al. D3/299
D517,797 S		3/2006	Lown		D596,840 S	7/2009	Lown
D517,798 S		3/2006	Lown		D596,855 S	7/2009	Orion et al. D3/267
D518,631 S		4/2006	Lown		D597,298 S	8/2009	Lown
D520,229 S		5/2006	Lown		D597,299 S	8/2009	Lown
D525,766 S		8/2006	Lown		D597,308 S	8/2009	Lown
D525,776 S		8/2006	Lown		D598,195 S	8/2009	Lown
D526,765 S		8/2006	Lown		D598,643 S	8/2009	Lown
D529,278 S		10/2006	Lown		D598,650 S	8/2009	Lown
D529,709 S		10/2006	Lown		D598,652 S	8/2009	Lown
D531,458 S		11/2006	Lown		D599,546 S	9/2009	Lown
D533,415 S		12/2006	Lown		D599,547 S	9/2009	Lown
D533,752 S		12/2006	Lown		D600,911 S	9/2009	Orion et al. D3/267
D534,772 S		1/2007	Lown		D601,341 S	10/2009	Arman
D535,859 S		1/2007	Lown		D602,646 S	10/2009	Lown
7,219,814 B2		5/2007	Lown		D603,158 S	11/2009	Lown
D549,445 S		8/2007	Lown		2001/0031104 A1	10/2001	Vazquez
D549,446 S		8/2007	Lown		2002/0166779 A1	11/2002	Etesses et al. 206/219
D555,352 S		11/2007	Lown		2003/0128897 A1	7/2003	Lehrman
D560,977 S		2/2008	Lown		2003/0185465 A1	10/2003	Vazquez
D561,574 S		2/2008	Lown		2003/0228072 A1	12/2003	Tyberg
D562,646 S		2/2008	Lown		2006/0151507 A1	7/2006	Lown
D563,784 S		3/2008	Lown		2007/0175787 A1	8/2007	Lown
D564,211 S		3/2008	Lown		2007/0187443 A1	8/2007	Lown
D564,212 S		3/2008	Lown		2008/0035519 A1	2/2008	Lown
D564,215 S		3/2008	Lown		2008/0073400 A1	3/2008	Lown
7,353,952 B2		4/2008	Lown		2008/0271573 A1	11/2008	Lown
D569,096 S		5/2008	Lown		2009/0038972 A1	2/2009	Lown
D570,108 S		6/2008	Lown				

* cited by examiner

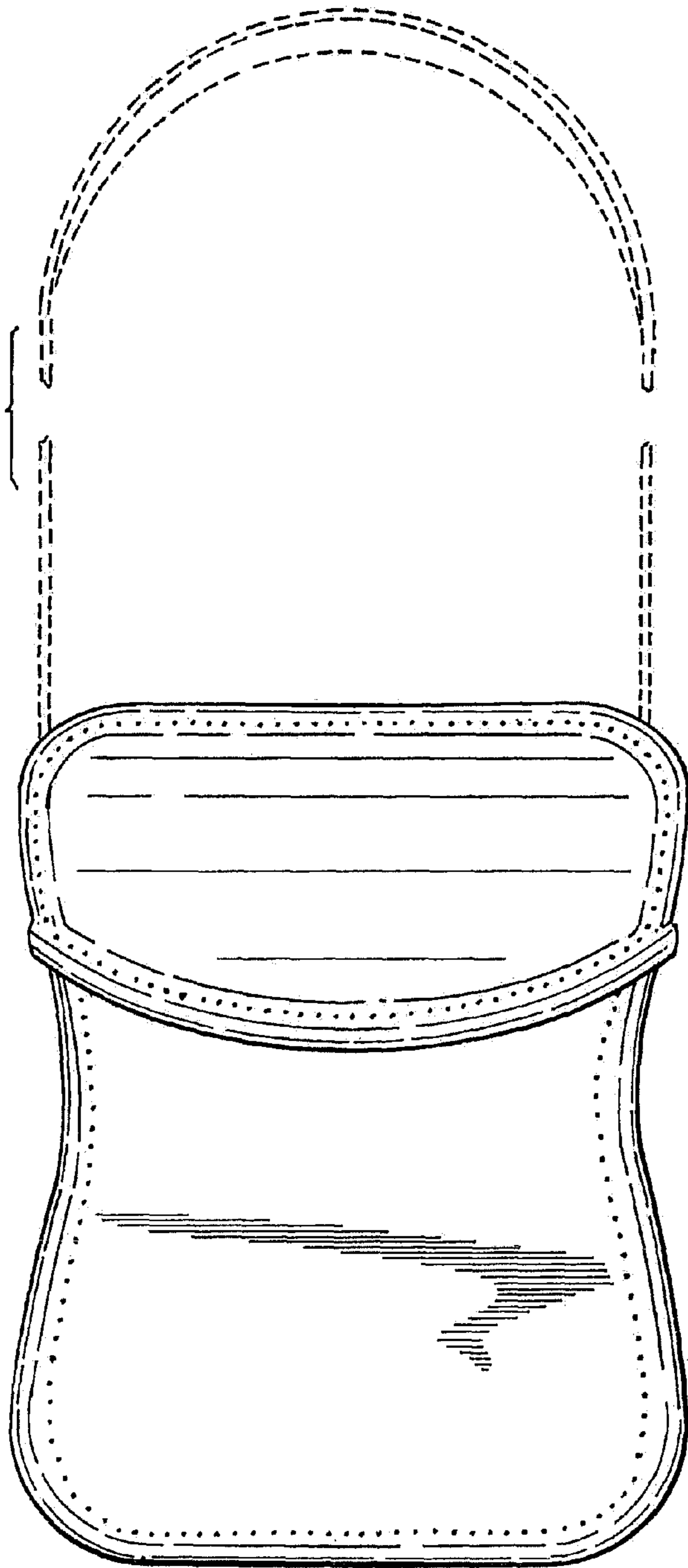


Fig. 1

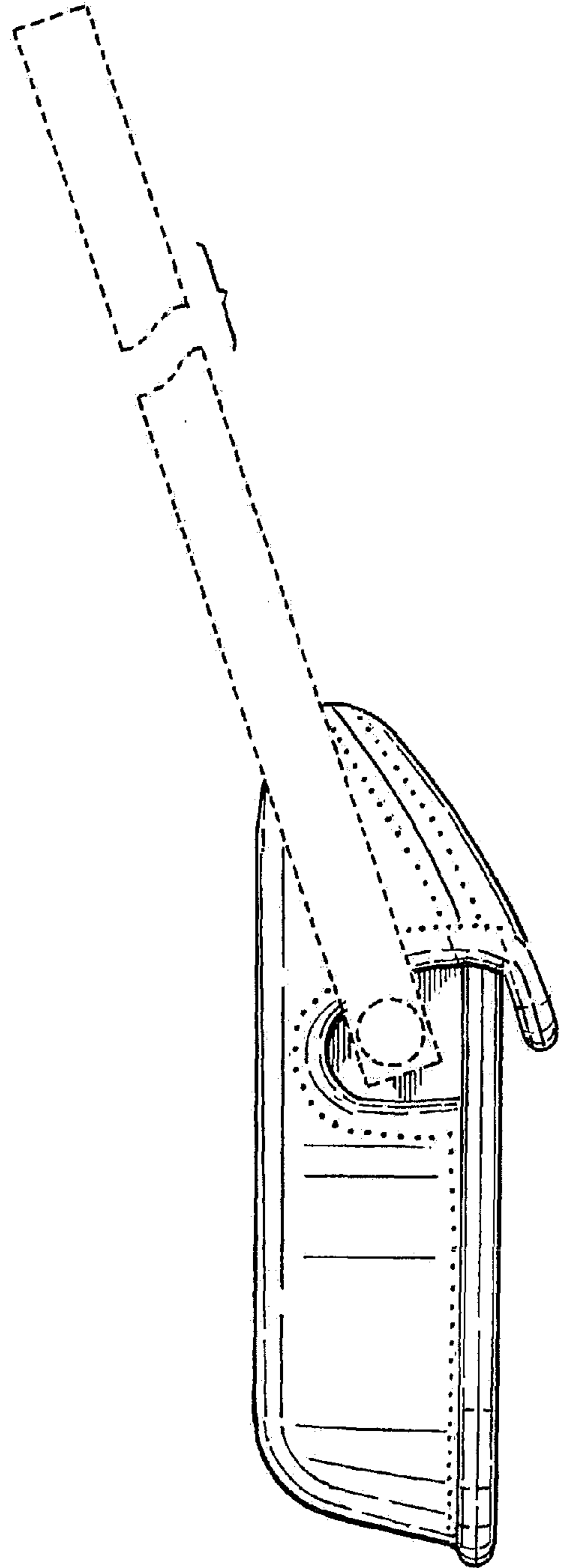


Fig. 2

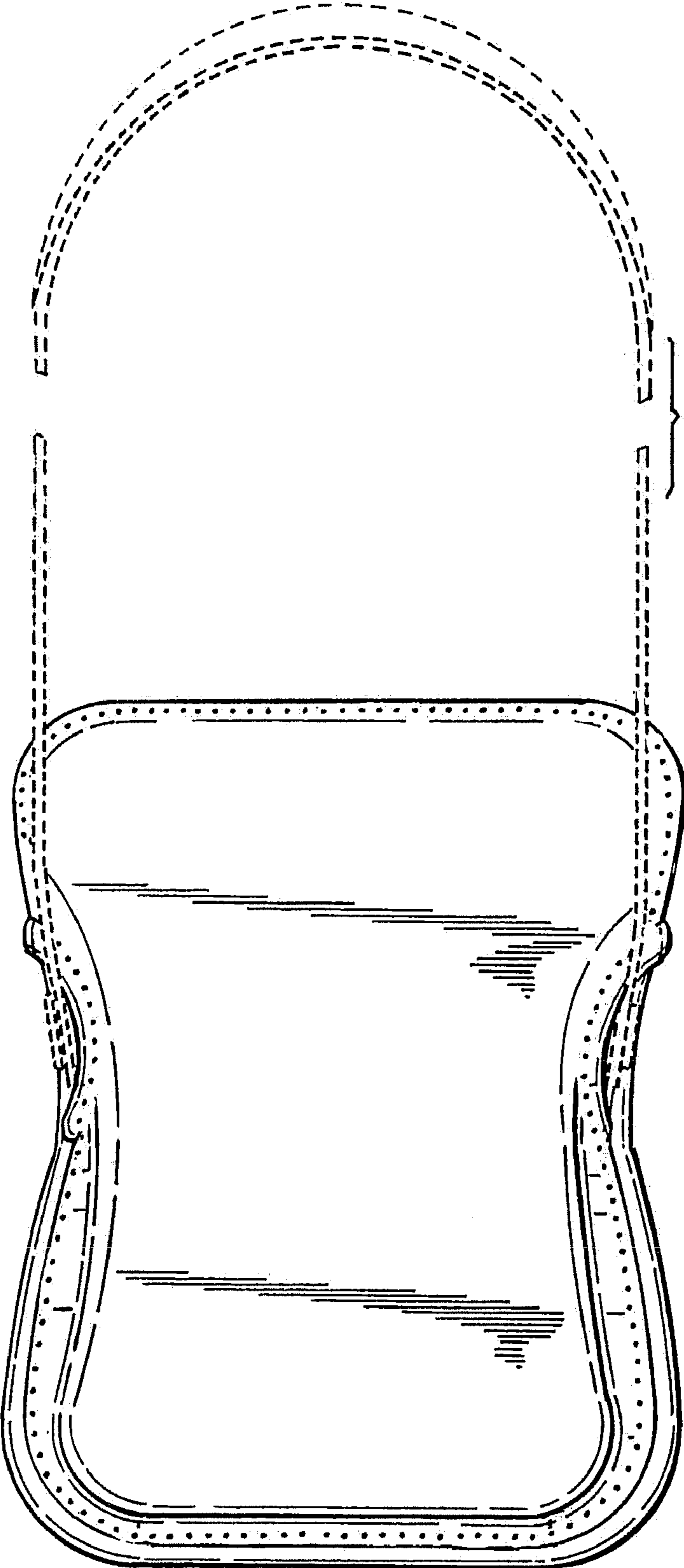


Fig. 3

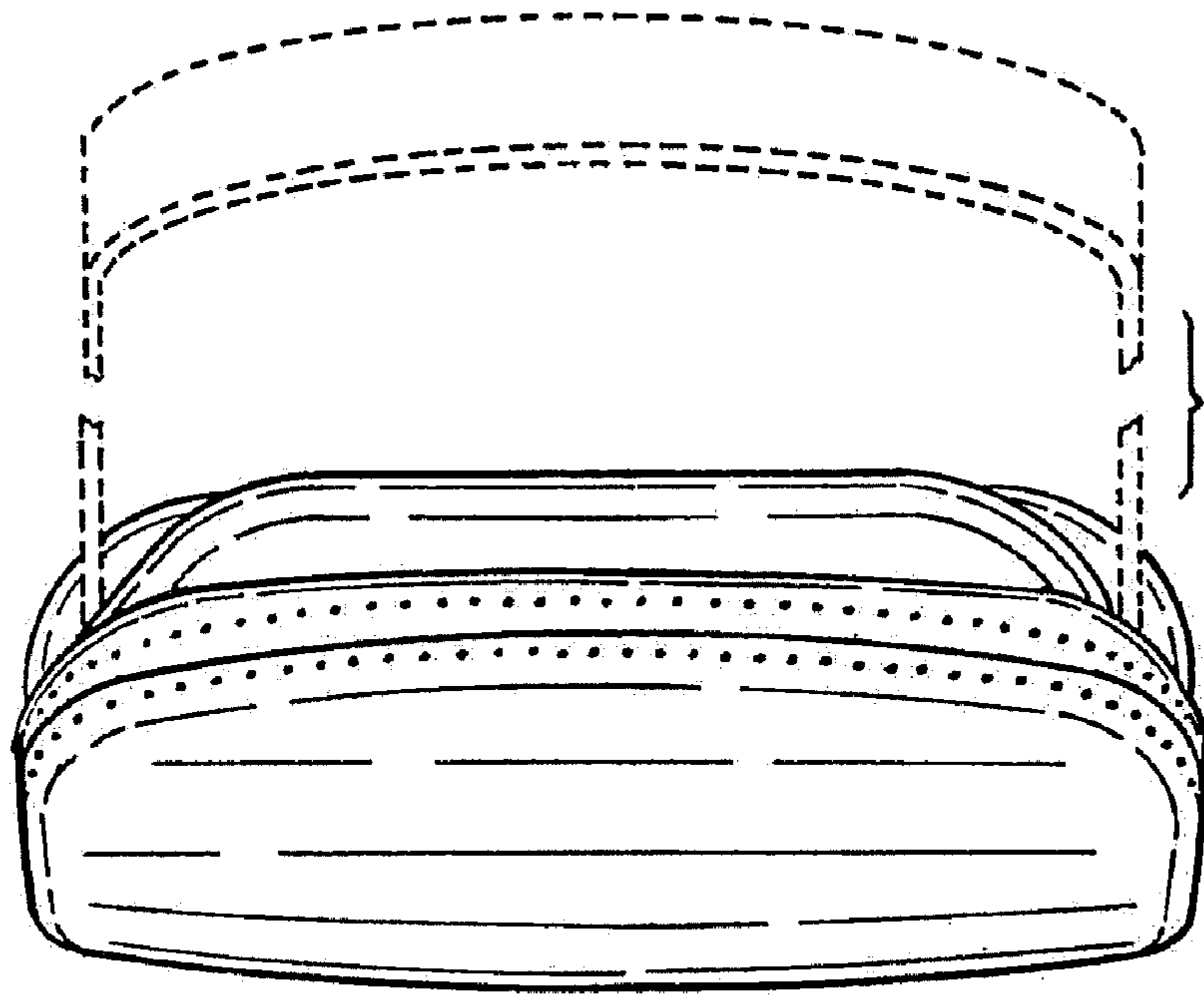


Fig. 4

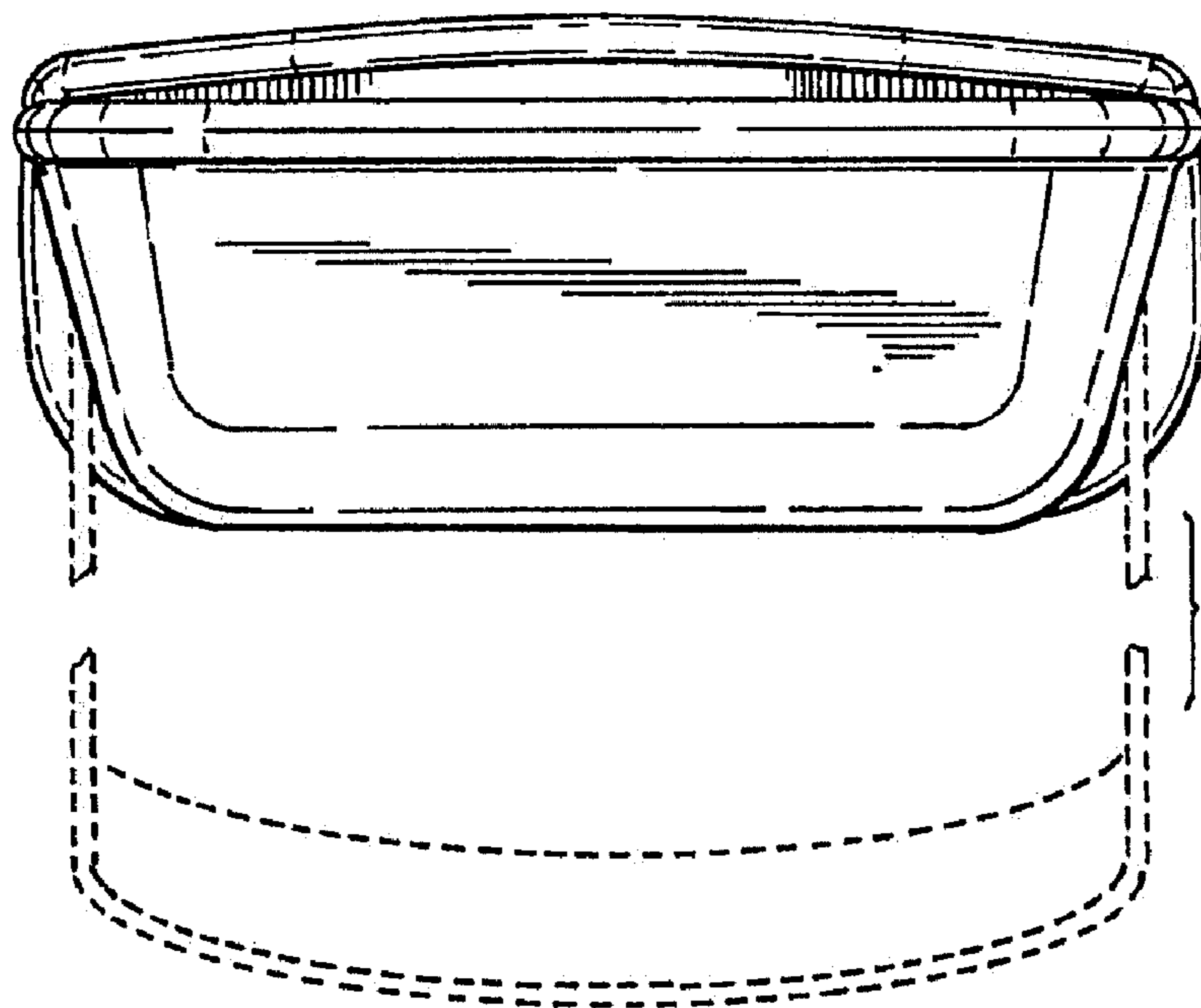


Fig. 5