



US00D616198S

(12) **United States Design Patent**
Liu et al.

(10) **Patent No.:** **US D616,198 S**

(45) **Date of Patent:** **** May 25, 2010**

(54) **CONTACT LENS CASE**

(75) Inventors: **X. Michael Liu**, Pittsford, NY (US);
Heidi A. Chapman, Rochester, NY (US)

(73) Assignee: **Bausch & Lomb Incorporated**,
Rochester, NY (US)

(**) Term: **14 Years**

(21) Appl. No.: **29/333,572**

(22) Filed: **Mar. 12, 2009**

(51) **LOC (9) Cl.** **03-01**

(52) **U.S. Cl.** **D3/264; D3/263**

(58) **Field of Classification Search** D3/207,
D3/208, 263, 264, 203.2; D9/449, 746; D11/7,
D11/80, 81, 221; D14/191; D24/218; D28/76;
134/6; 206/38, 38.1, 5.1; 40/323; 422/102;
D99/34

See application file for complete search history.

(56) **References Cited**

U.S. PATENT DOCUMENTS

D42,730 S *	7/1912	Dailey	D11/80
2,511,651 A *	6/1950	Schlitz	40/323
D196,681 S *	10/1963	Middleton	D3/264
3,257,696 A *	6/1966	Miller et al.	24/116 A
3,378,020 A *	4/1968	Grabiel	134/156
3,407,523 A *	10/1968	Winston	40/1.5
3,524,455 A	8/1970	Hoogesteger et al.		
3,643,672 A *	2/1972	Brown	134/143
3,645,284 A *	2/1972	Krezanoski et al.	134/166 R
D255,218 S *	6/1980	Krag	D3/203.2
4,328,890 A *	5/1982	Thomas et al.	206/5.1
4,415,076 A *	11/1983	Campbell	206/5.1
D289,922 S *	5/1987	Jermyn	D24/218
4,765,459 A *	8/1988	Edwards	206/38.1
5,000,204 A *	3/1991	Smith	134/6
D325,443 S *	4/1992	Jermyn	D24/218
5,224,593 A *	7/1993	Bennett	206/5.1
D358,251 S *	5/1995	Bettis	D3/208
D369,902 S *	5/1996	Petruzzi	D3/208
D382,704 S *	8/1997	Petruzzi	D3/207

D388,602 S *	1/1998	Petruzzi	D3/208
D390,356 S	2/1998	Fortier		
D393,148 S *	4/1998	Petruzzi	D3/208
5,775,485 A *	7/1998	Dierking	206/38
D406,396 S *	3/1999	Granwehr	D28/76
D431,341 S *	9/2000	DiPaolo et al.	D99/34
D440,153 S *	4/2001	Lin	D9/746
D442,363 S *	5/2001	Magid et al.	D3/208
6,365,111 B1 *	4/2002	Bass	422/102
6,382,410 B1 *	5/2002	Magid et al.	206/38.1
6,435,339 B1 *	8/2002	Kroupa	206/5.1
D463,104 S *	9/2002	Ames	D3/207
D523,416 S *	6/2006	Tompkins et al.	D14/191
D558,635 S *	1/2008	Glassman	D11/80
D576,877 S *	9/2008	Alcamo et al.	D9/449
D578,431 S *	10/2008	Weyer et al.	D11/221
D578,432 S *	10/2008	Weyer et al.	D11/221
D590,289 S *	4/2009	Karpman	D11/7

* cited by examiner

Primary Examiner—Celia A Murphy

(74) *Attorney, Agent, or Firm*—Joseph Barrera

(57) **CLAIM**

The ornamental design for a contact lens case, as shown and described.

DESCRIPTION

FIG. 1 is a perspective view of a contact lens case showing our new design;

FIG. 2 is a front view thereof;

FIG. 3 is a rear view thereof;

FIG. 4 is a right side elevational view thereof;

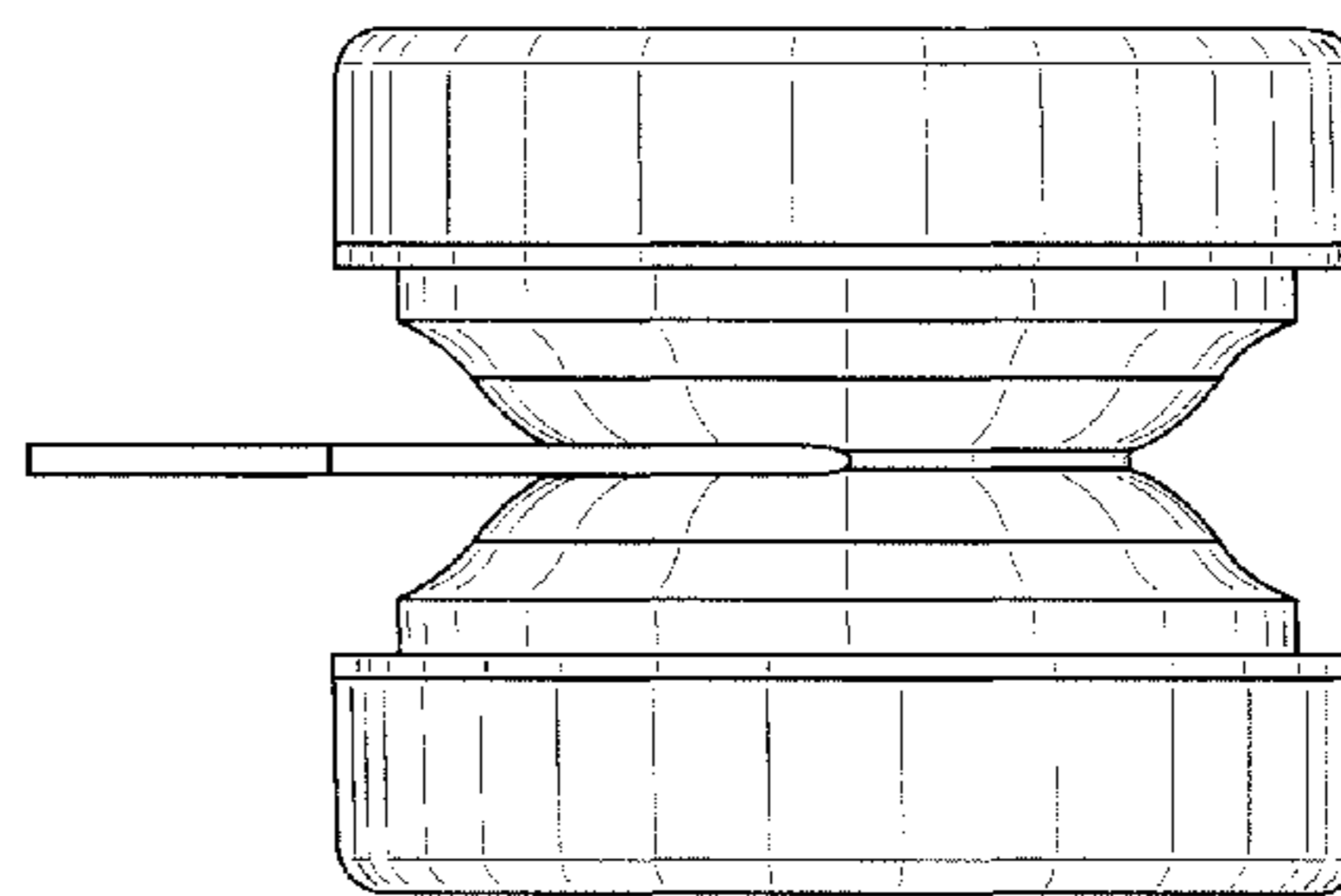
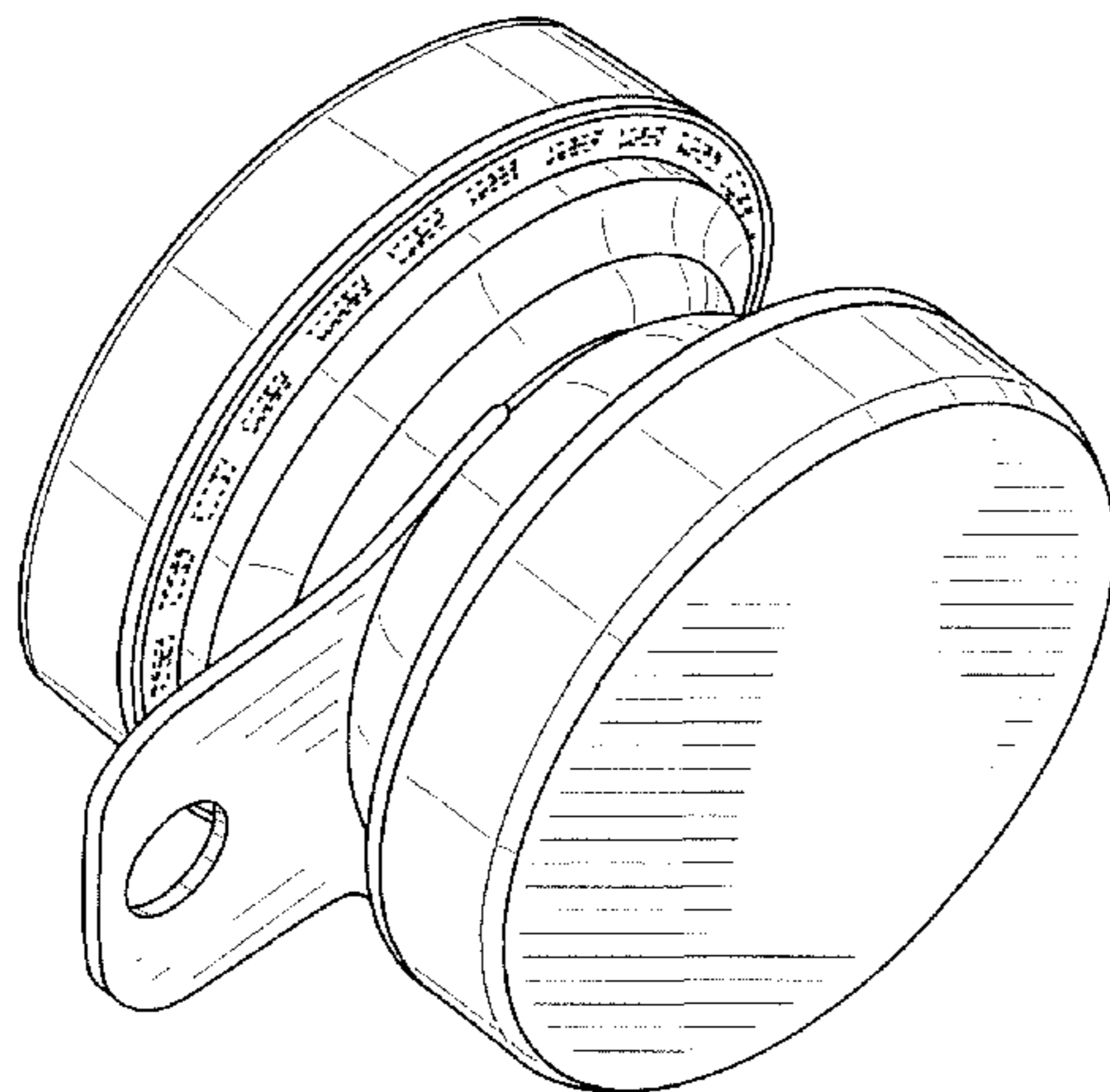
FIG. 5 is a left side elevational view thereof;

FIG. 6 is a top plan view thereof; and,

FIG. 7 is a bottom plan view thereof.

The broken line showing an aperture on the tab of the case in FIGS. 1, 6, & 7 represent an internal boundary of the design with the broken line and the area within forming no part of the claim.

1 Claim, 4 Drawing Sheets



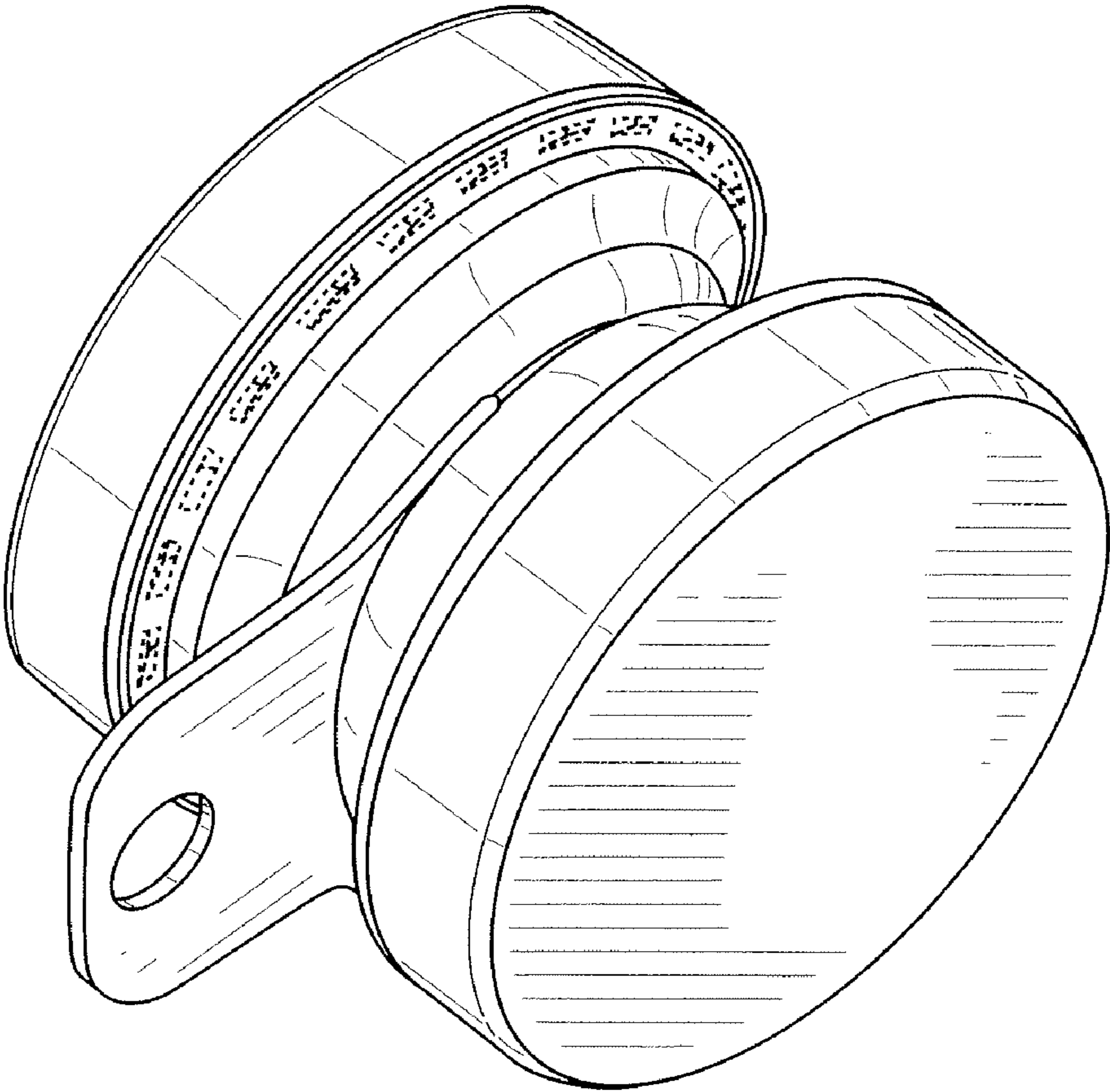


FIG. 1

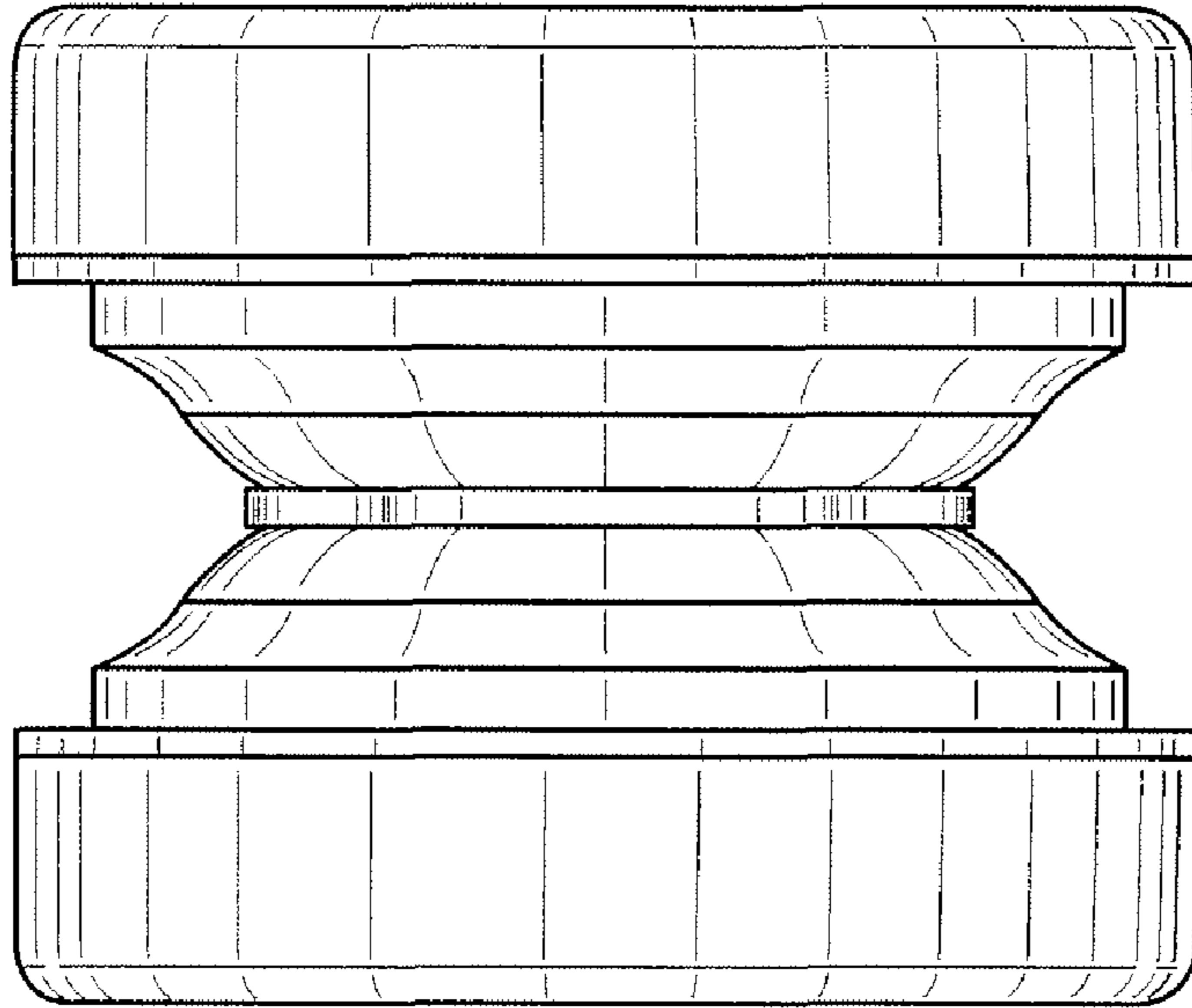


FIG. 2

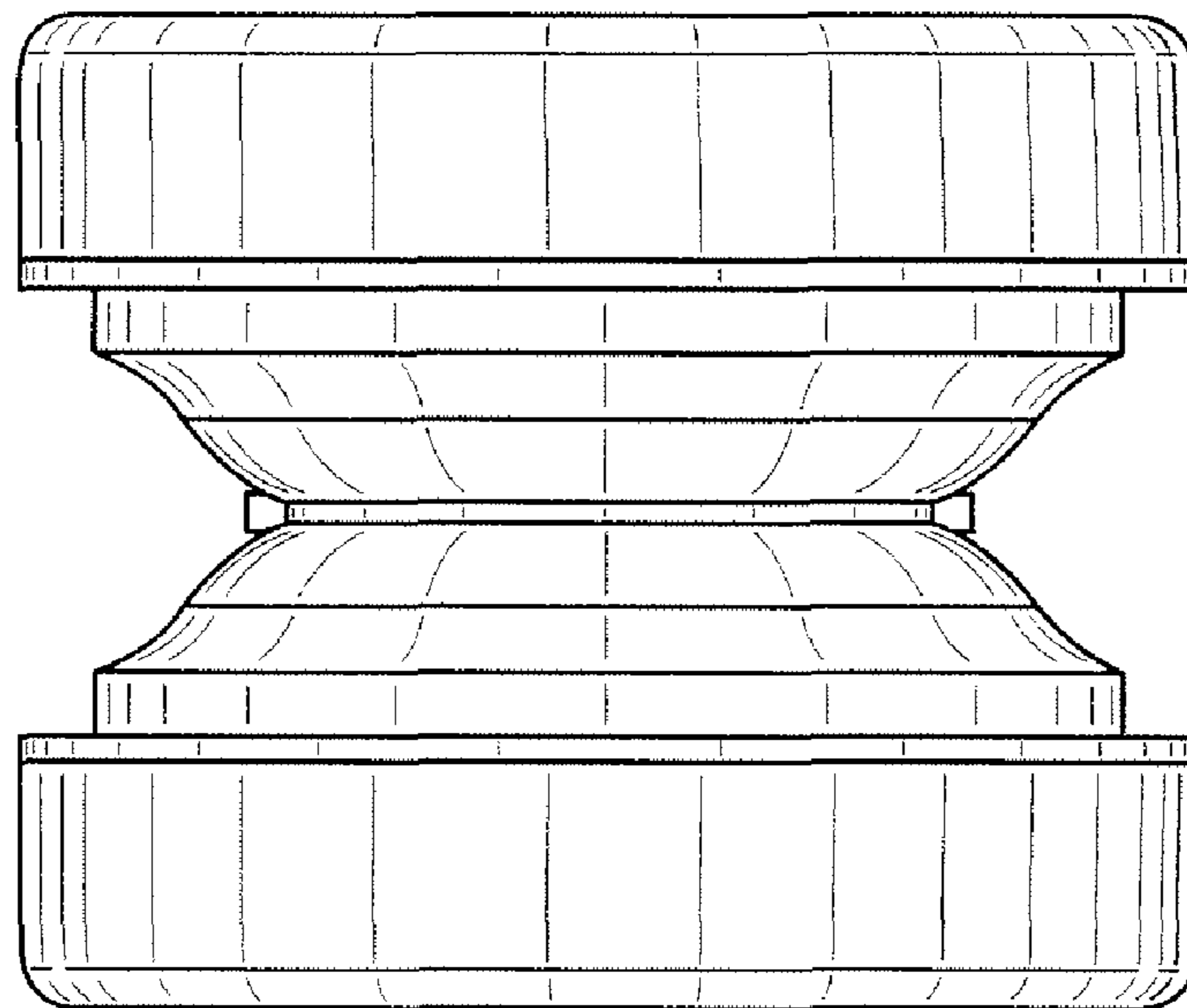


FIG. 3

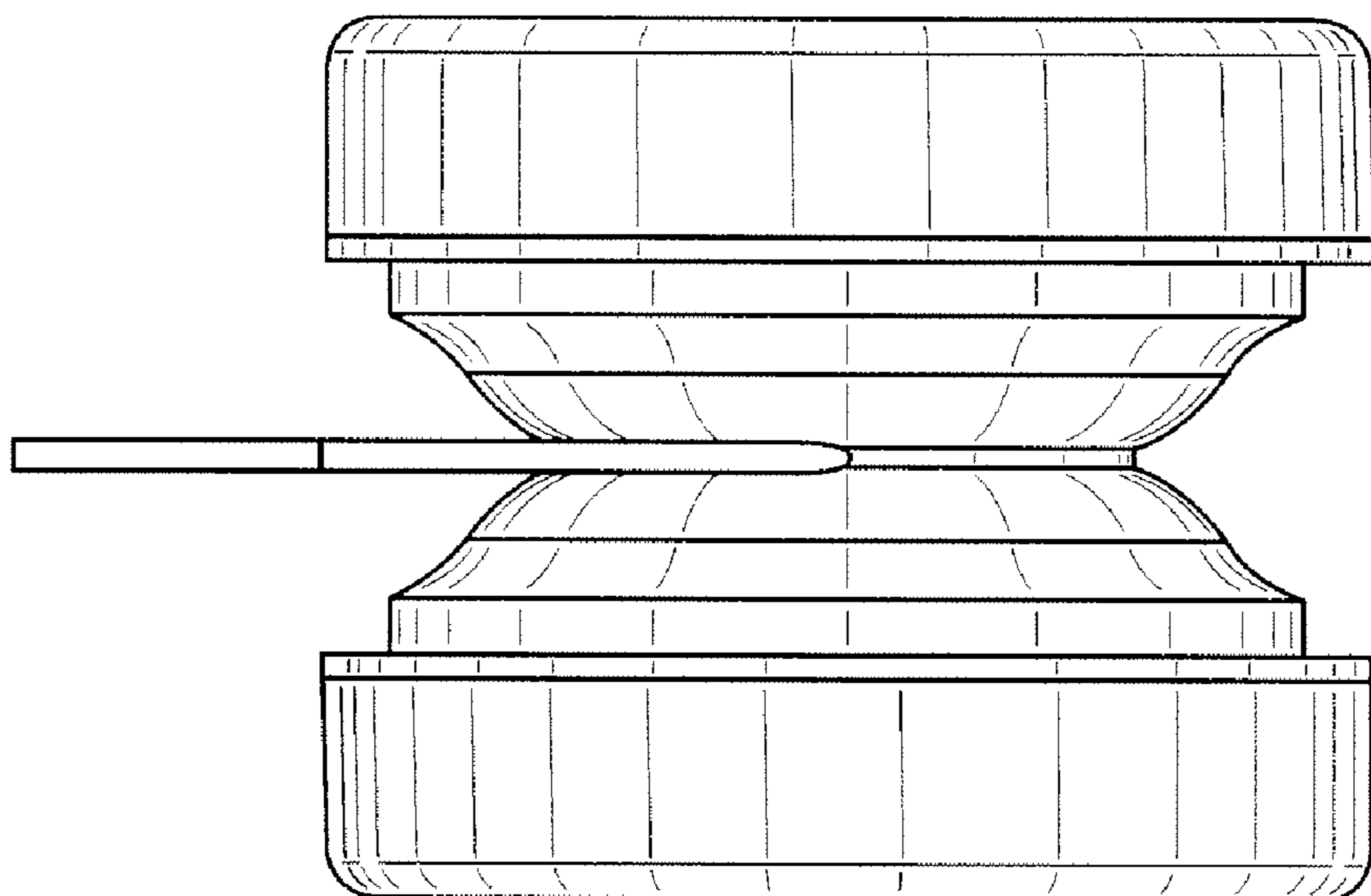


FIG. 4

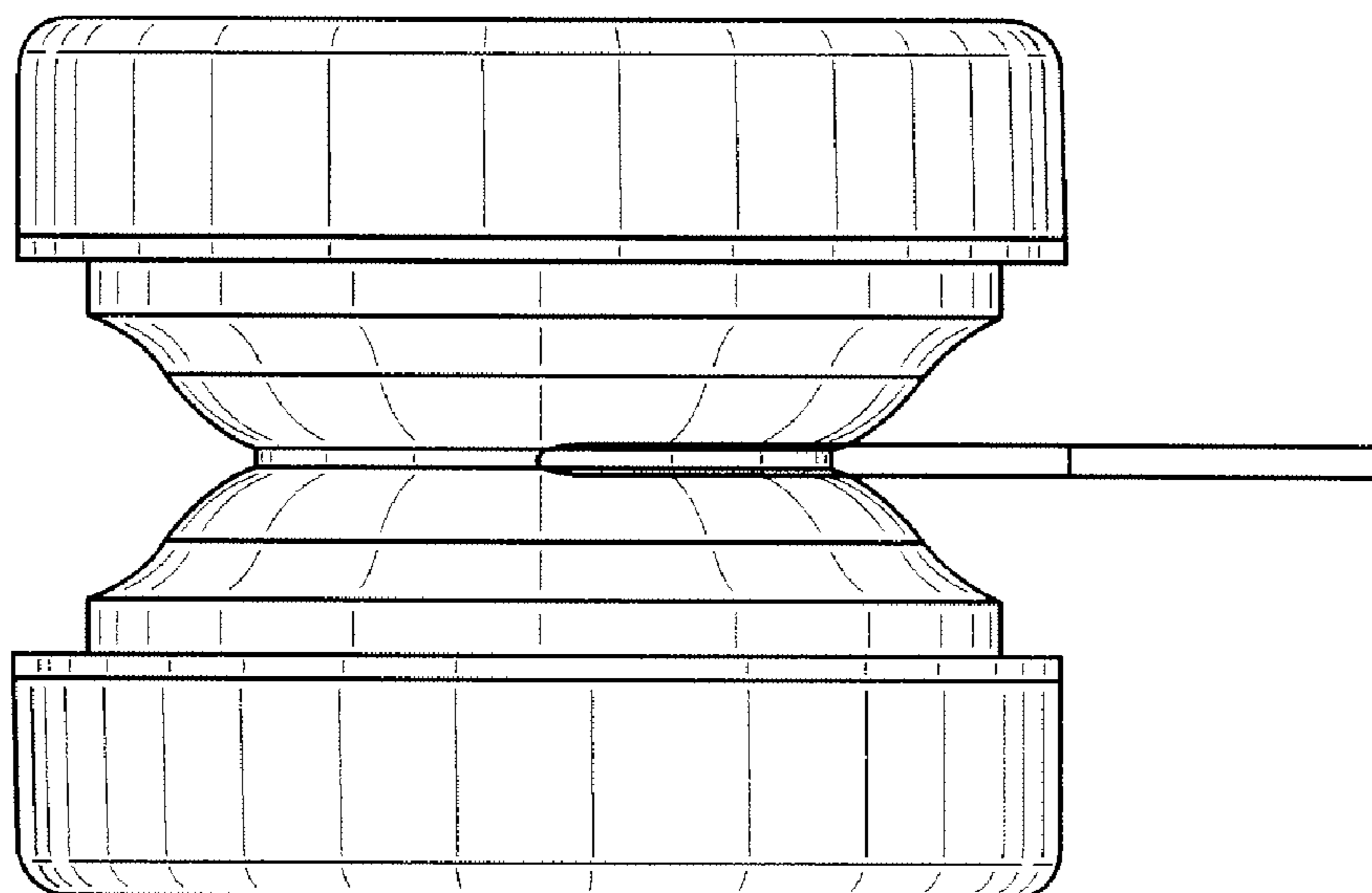


FIG. 5

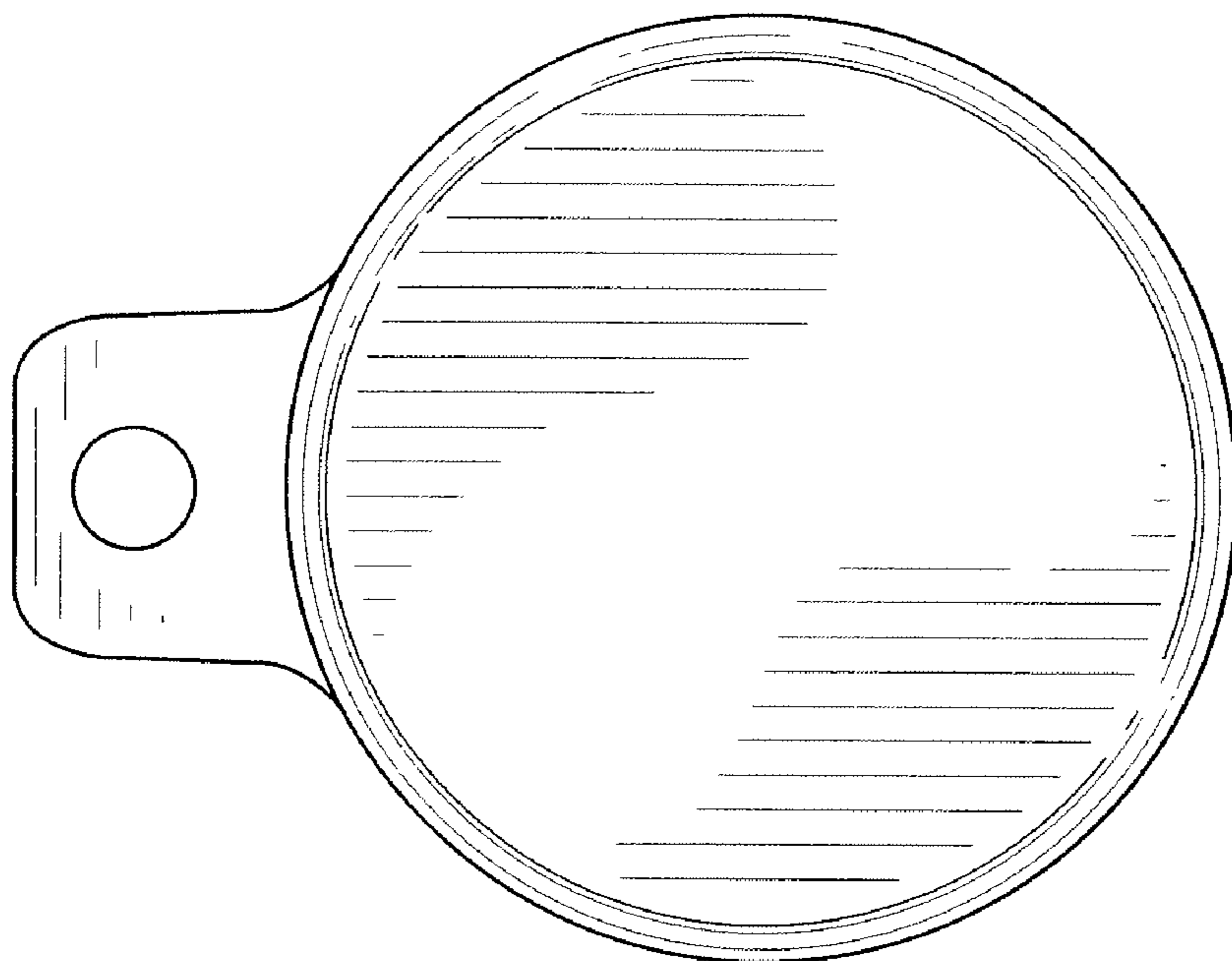


FIG. 6

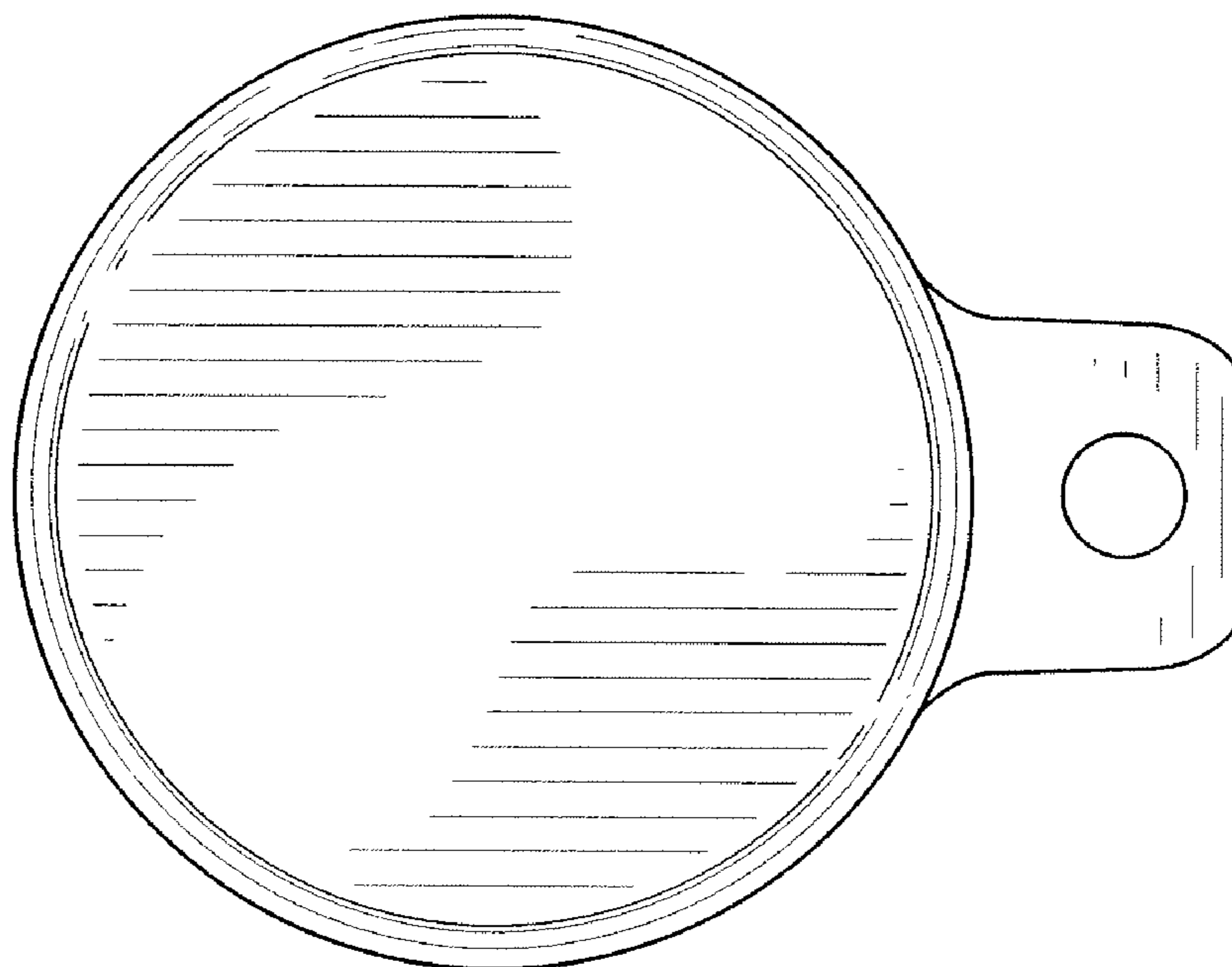


FIG. 7