



US00D616185S

(12) **United States Design Patent**  
**Butler**

(10) **Patent No.:** **US D616,185 S**  
(45) **Date of Patent:** **\*\* May 25, 2010**

(54) **FOOTWEAR OUTSOLE**

(75) Inventor: **Damon R. Butler**, Portland, OR (US)

(73) Assignee: **Deckers Outdoor Corporation**, Goleta, CA (US)

(\*\*) Term: **14 Years**

(21) Appl. No.: **29/350,183**

(22) Filed: **Nov. 12, 2009**

(51) **LOC (9) Cl.** ..... **02-04**

(52) **U.S. Cl.** ..... **D2/952; D2/951; D2/953;**  
D2/959

(58) **Field of Classification Search** ..... D2/902,  
D2/947, 949, 951, 952, 953, 954, 957, 959,  
D2/960; 36/3 B, 22 R, 24.5, 25 R, 32 R,  
36/67 A, 59 C

See application file for complete search history.

(56) **References Cited**

**U.S. PATENT DOCUMENTS**

D65,744 S *	10/1924	Kuhn	.....	D2/954
D84,816 S *	8/1931	Freudenberg	.....	D5/16
D240,962 S *	8/1976	Matsumoto	.....	D5/16
D404,899 S *	2/1999	von Conta	.....	D2/957
D502,308 S *	3/2005	Teague	.....	D2/957
D513,840 S *	1/2006	Urie et al.	.....	D2/953
D513,842 S *	1/2006	Paytavi	.....	D2/957
D515,790 S *	2/2006	Romano et al.	.....	D2/952
D543,679 S *	6/2007	Edwards	.....	D2/959
D554,331 S *	11/2007	Matis	.....	D2/952
D557,883 S *	12/2007	McClaskie	.....	D2/952
D563,635 S *	3/2008	Andersen et al.	.....	D2/952
D571,087 S *	6/2008	Dillenbeck et al.	.....	D2/953
D593,738 S *	6/2009	McClaskie	.....	D2/956
D593,740 S *	6/2009	McClaskie	.....	D2/957

D599,989 S *	9/2009	McClaskie	.....	D2/952
D603,594 S *	11/2009	McClaskie	.....	D2/953
D604,933 S *	12/2009	Anderson	.....	D2/960
D605,836 S *	12/2009	Foust	.....	D2/951
D606,732 S *	12/2009	McClaskie	.....	D2/951
2002/0035793 A1 *	3/2002	Byrd	.....	36/8.4
2002/0148141 A1 *	10/2002	Otis et al.	.....	36/59 R
2002/0152639 A1 *	10/2002	Otis et al.	.....	36/59 R

\* cited by examiner

*Primary Examiner*—Celia A Murphy

(74) *Attorney, Agent, or Firm*—Greer, Burns & Crain, Ltd.

(57) **CLAIM**

The ornamental design for a footwear outsole, as shown and described.

**DESCRIPTION**

FIG. 1 is a perspective view of a footwear outsole showing my new design;

FIG. 2 is a bottom plan view thereof;

FIG. 3 is a top plan view thereof;

FIG. 4 is a right side elevational view thereof;

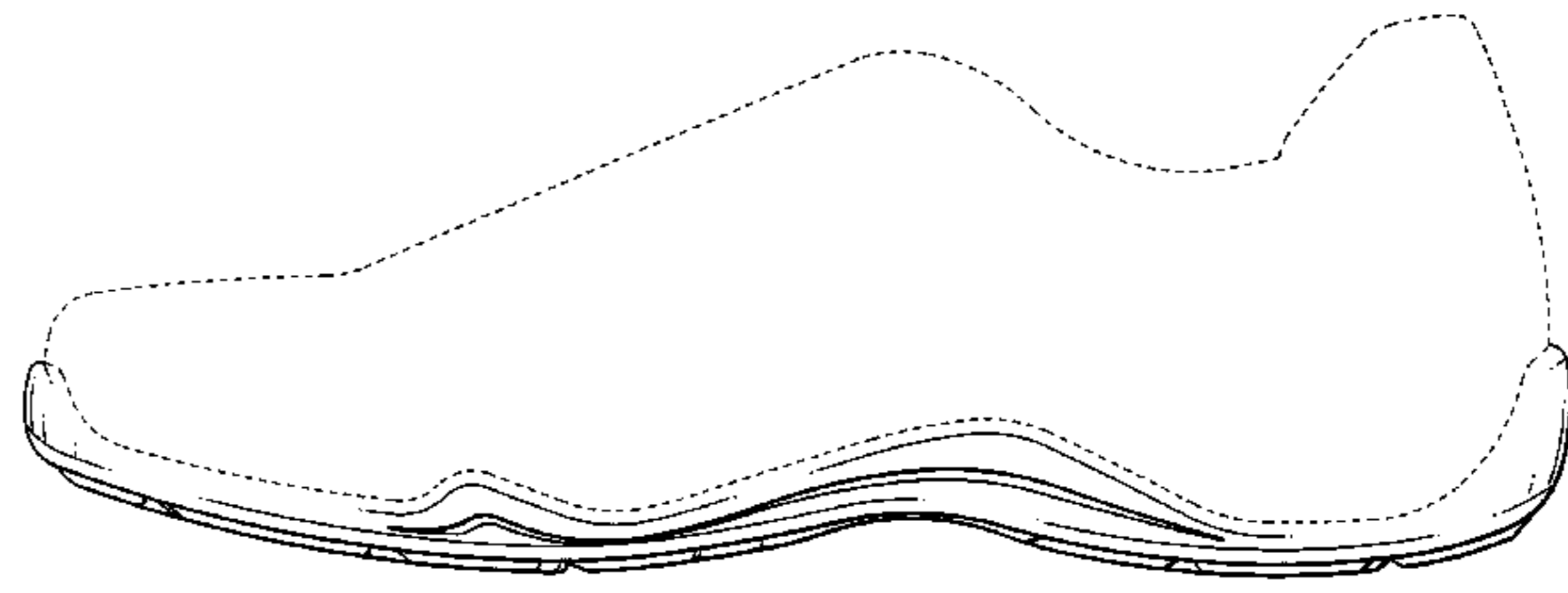
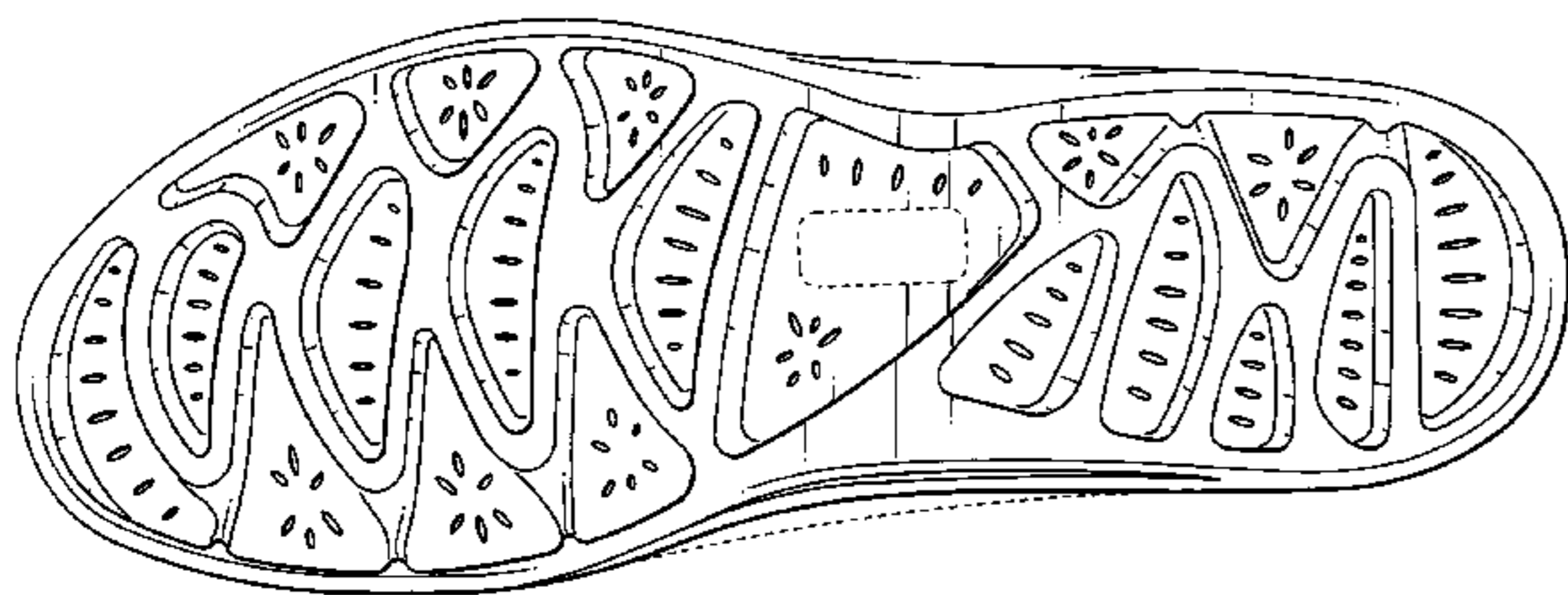
FIG. 5 is a left side elevational view thereof;

FIG. 6 is a front elevational view thereof; and,

FIG. 7 is a rear elevational view thereof.

The broken lines immediately adjacent to the shaded portion of the design, particularly around the outer periphery and the central arch area form the boundaries of the design. Neither the broken lines nor the areas within them form any part of the claim. The broken lines showing the remainder of the footwear illustrate the environment in which the design resides, with these broken lines also forming no part of the claim.

**1 Claim, 6 Drawing Sheets**



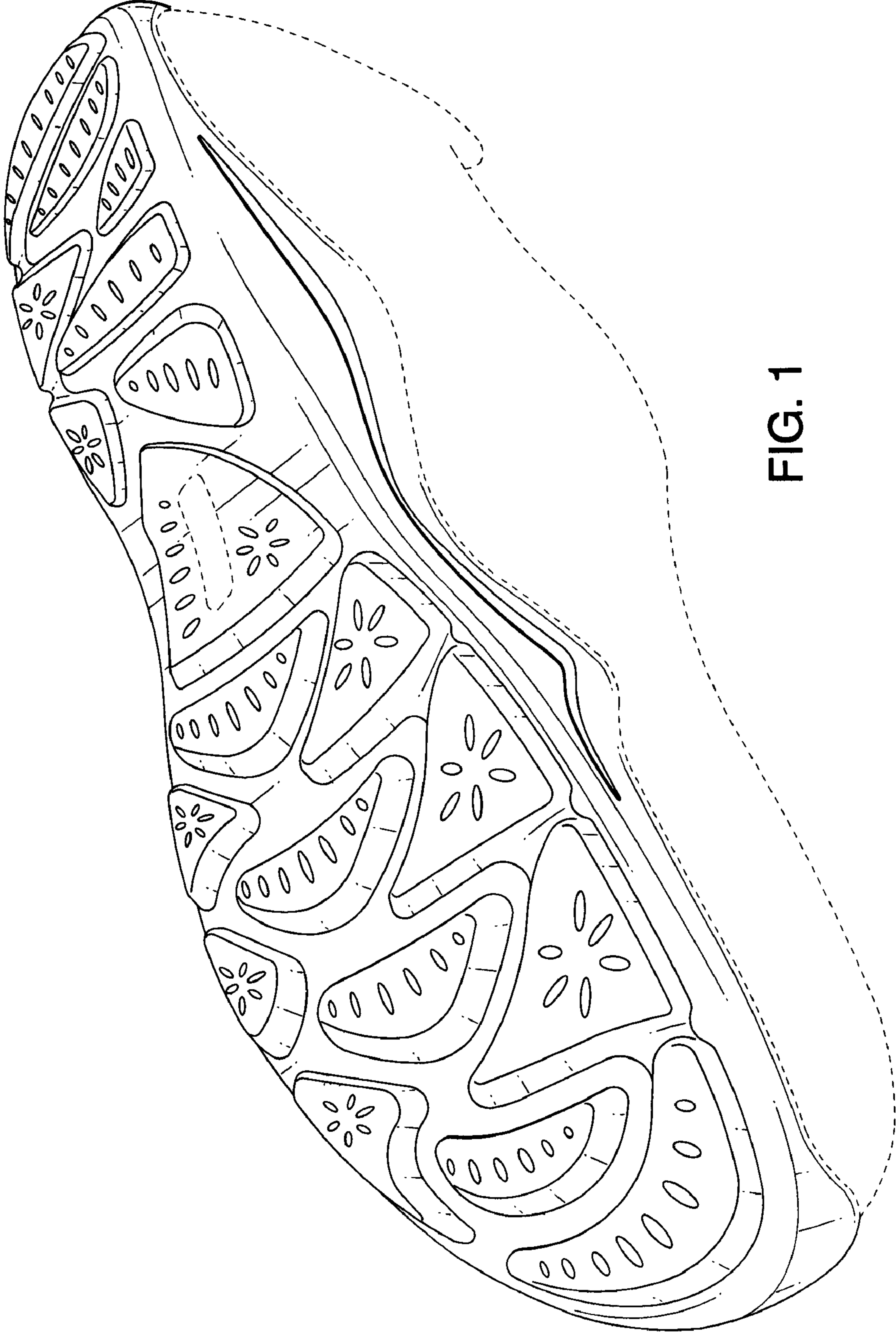


FIG. 1

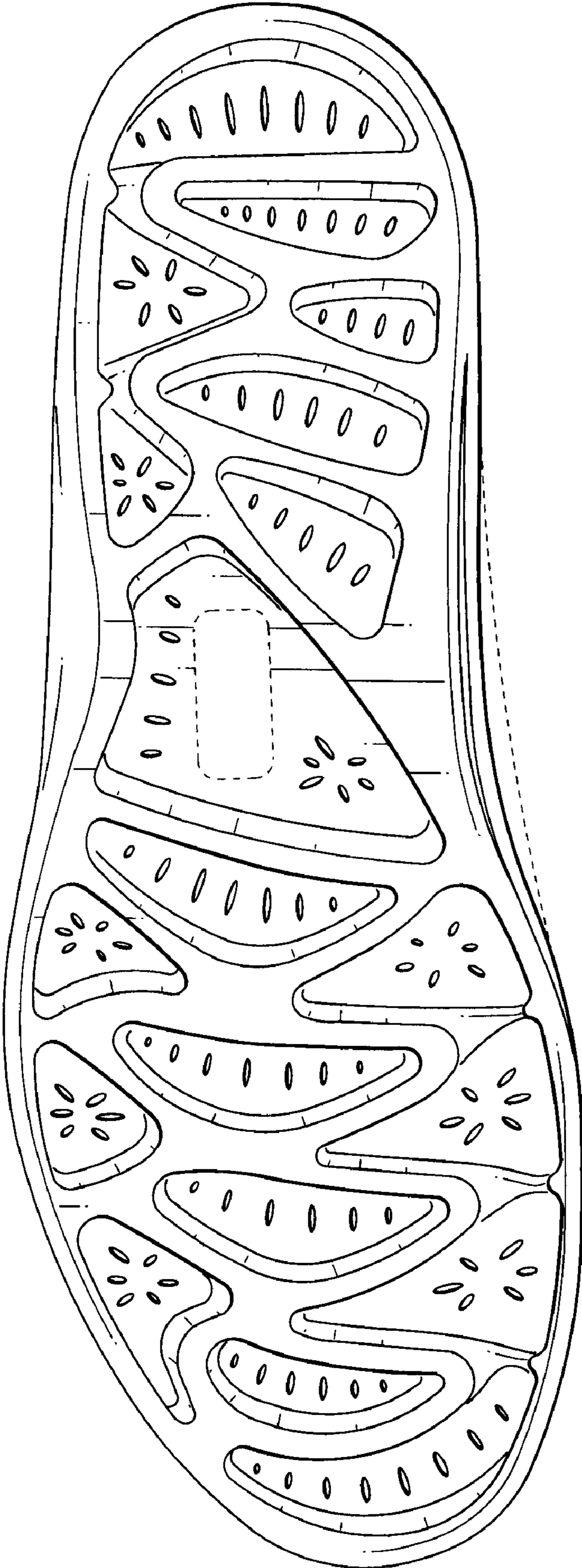


FIG. 2

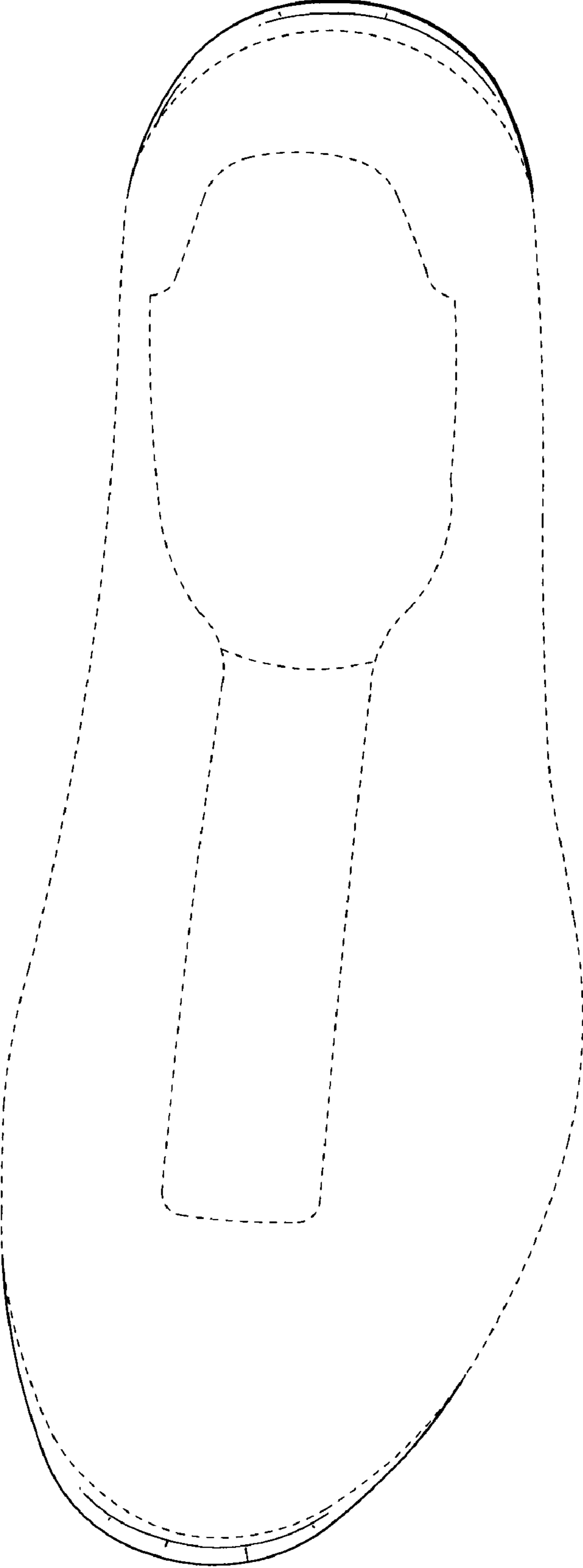


FIG. 3

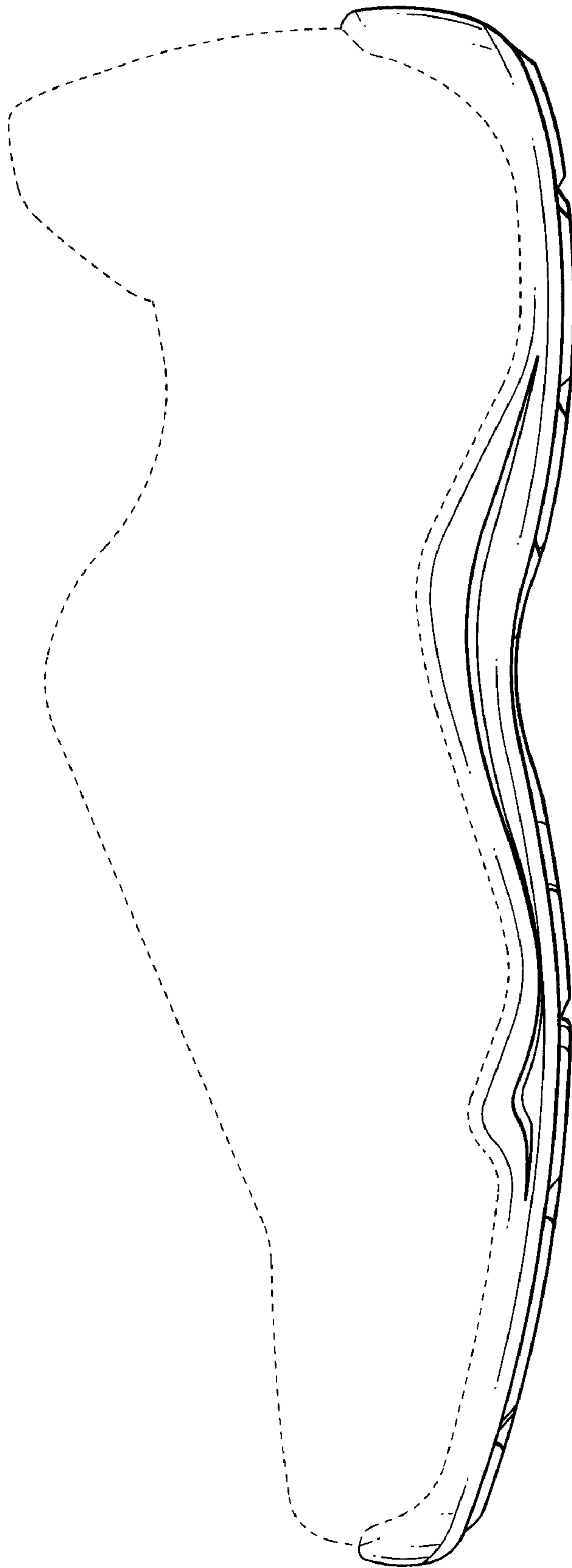


FIG. 4

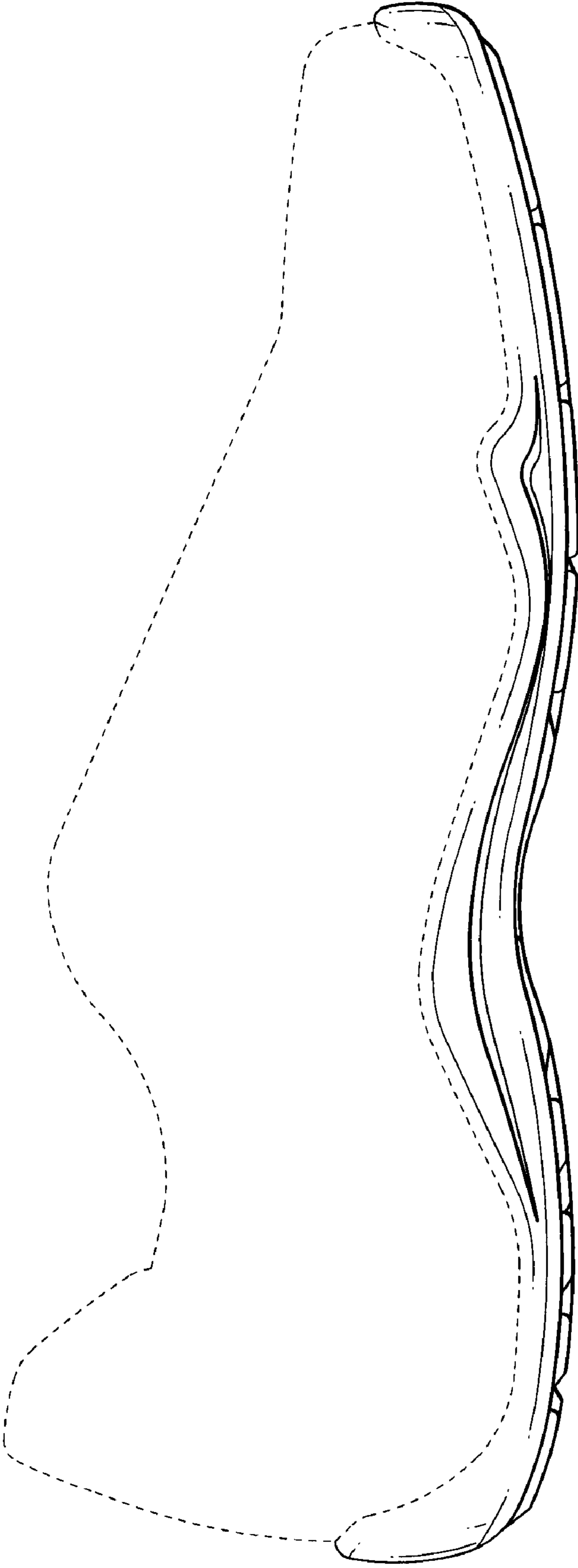


FIG. 5

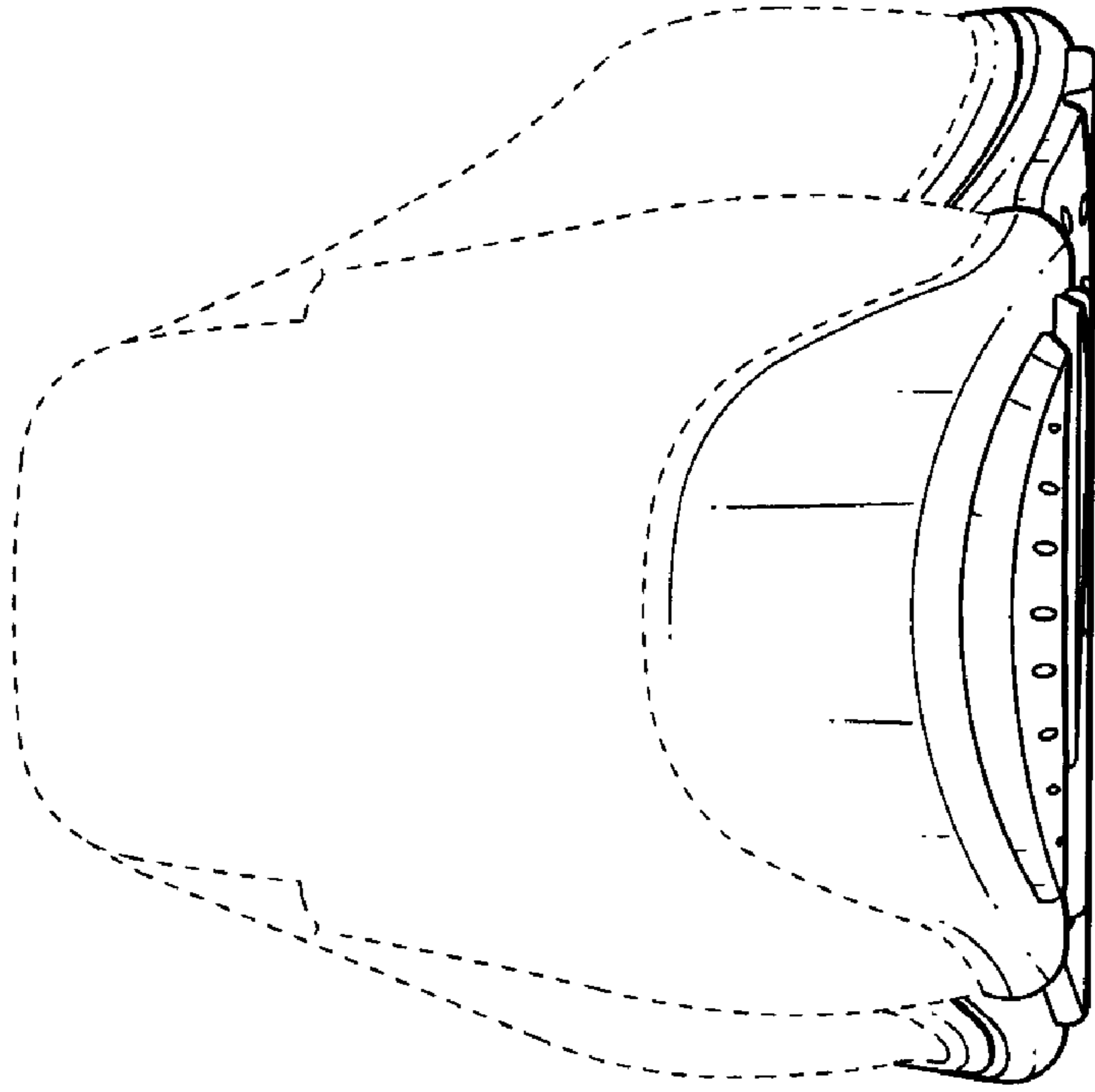


FIG. 7

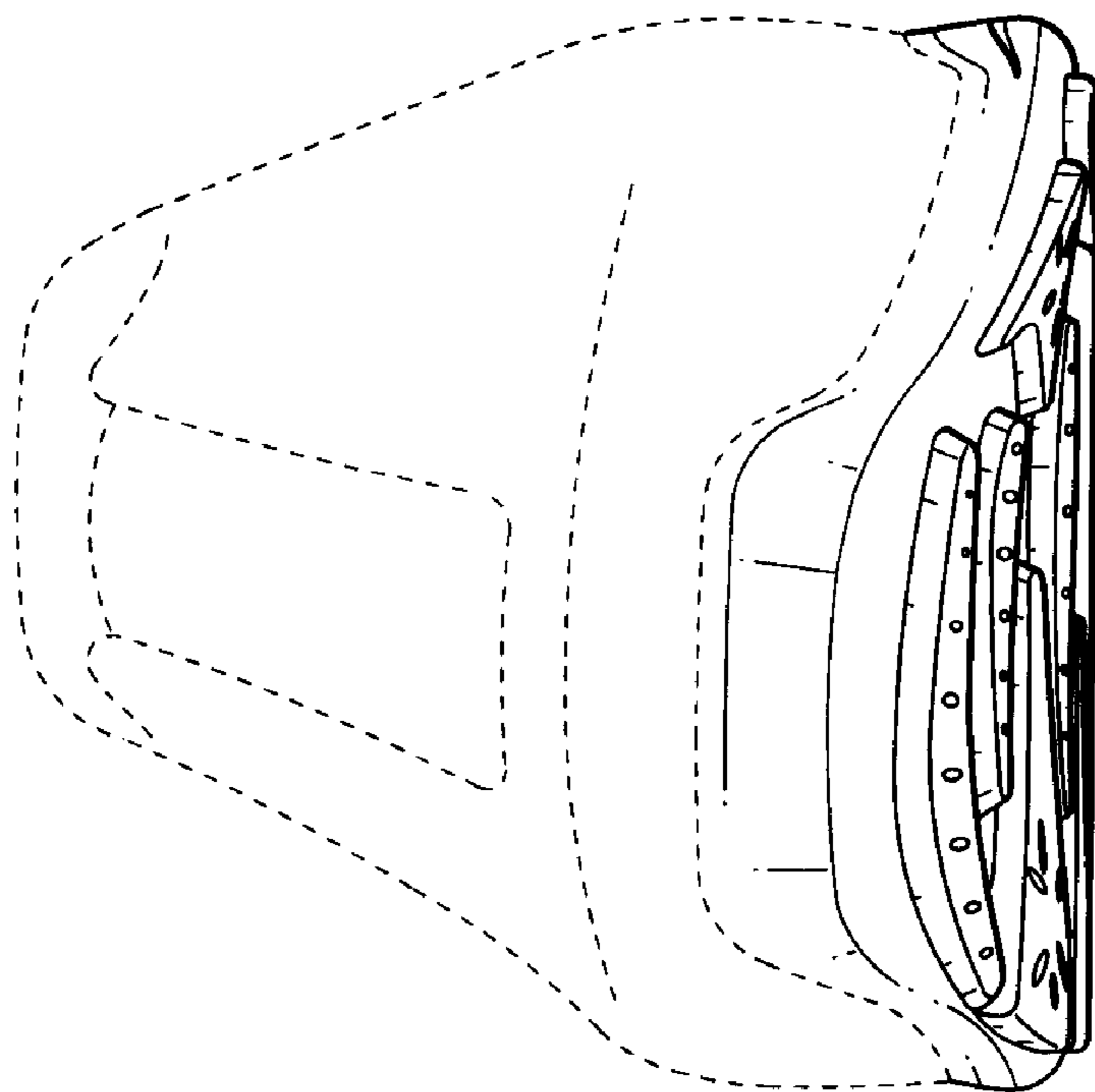


FIG. 6