



US00D616178S

(12) **United States Design Patent**  
**Baggenstos**

(10) **Patent No.:** **US D616,178 S**

(45) **Date of Patent:** **\*\* May 25, 2010**

(54) **RECEPTACLE FOR A LIGHTER WITH INTEGRATED ASHTRAY**

(75) Inventor: **Michael Baggenstos**, Erlenbach (CH)

(73) Assignee: **Valuesphere AG**, Erlenbach (CH)

(\*\*) Term: **14 Years**

(21) Appl. No.: **29/319,800**

(22) Filed: **Jun. 16, 2008**

(51) **LOC (9) Cl.** ..... **27-02**

(52) **U.S. Cl.** ..... **D2/172; D27/173; D27/174; D27/102**

(58) **Field of Classification Search** ..... D27/135, D27/139, 141, 144, 147, 153, 154-159, 160, D27/172, 173, 187, 189, 194; 131/242; 431/253, 431/343; 220/576, 475, 480

See application file for complete search history.

(56) **References Cited**

**U.S. PATENT DOCUMENTS**

1,660,677	A *	2/1928	Kilgore	.....	220/576
D114,760	S *	5/1939	Johnson	.....	D27/189
D144,278	S *	3/1946	Wohl	.....	D27/189
D151,271	S *	10/1948	King et al.	.....	D27/144
D157,884	S *	3/1950	McNair	.....	D27/135
D260,689	S *	9/1981	Storms	.....	D27/144
D277,034	S *	1/1985	Ramsdell	.....	D27/187
D283,734	S *	5/1986	Parren	.....	D27/153
D292,028	S *	9/1987	Rhodes	.....	D27/102
4,844,254	A *	7/1989	Jang	.....	431/253
D303,159	S *	8/1989	Heath	.....	D27/172
D448,109	S *	9/2001	Ichikawa	.....	D27/189
D484,639	S *	12/2003	Fortner	.....	D27/135
D527,488	S *	8/2006	Hung	.....	D27/172
D586,953	S *	2/2009	Riggio	.....	D27/172

\* cited by examiner

*Primary Examiner*—Dominic Simone

(74) *Attorney, Agent, or Firm*—McCormick, Paulding & Huber LLP

(57) **CLAIM**

The ornamental design for a receptacle for a lighter with integrated ashtray, as shown and described.

**DESCRIPTION**

FIG. 1 is a right-hand side view of a receptacle for a lighter with integrated ashtray comprising a new, original and ornamental design;

FIG. 2 is a front view of a receptacle for a lighter with integrated ashtray comprising the new, original and ornamental design;

FIG. 3 is a left-hand side view of a receptacle for a lighter with integrated ashtray comprising the new, original and ornamental design;

FIG. 4 is a top view of a receptacle for a lighter with integrated ashtray comprising the new, original and ornamental design;

FIG. 5 is an isometric perspective view of a receptacle for a lighter with integrated ashtray comprising the new, original and ornamental design;

FIG. 6 is a right-hand side view of a receptacle for a lighter with integrated ashtray comprising the new, original and ornamental design, shown in an open position;

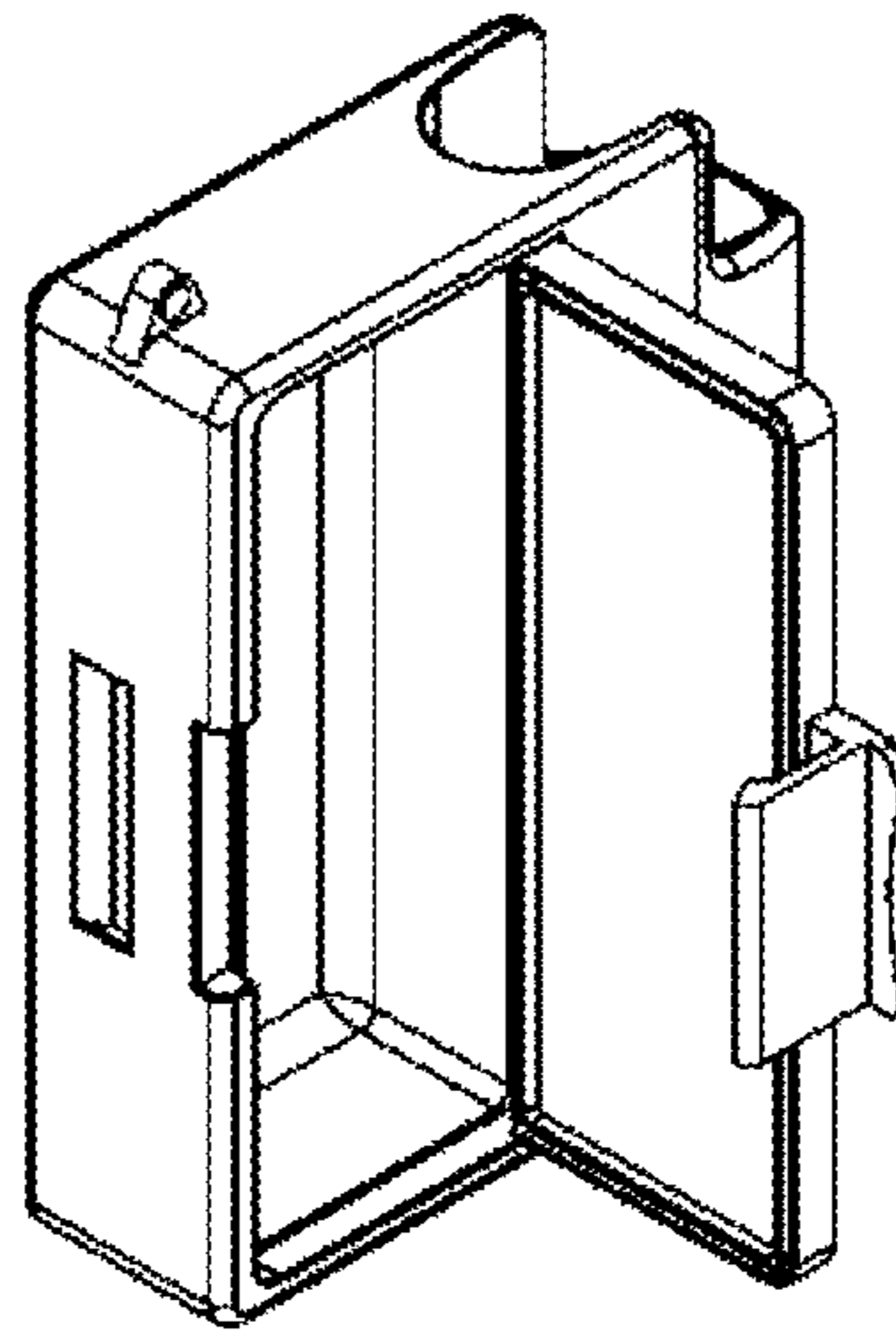
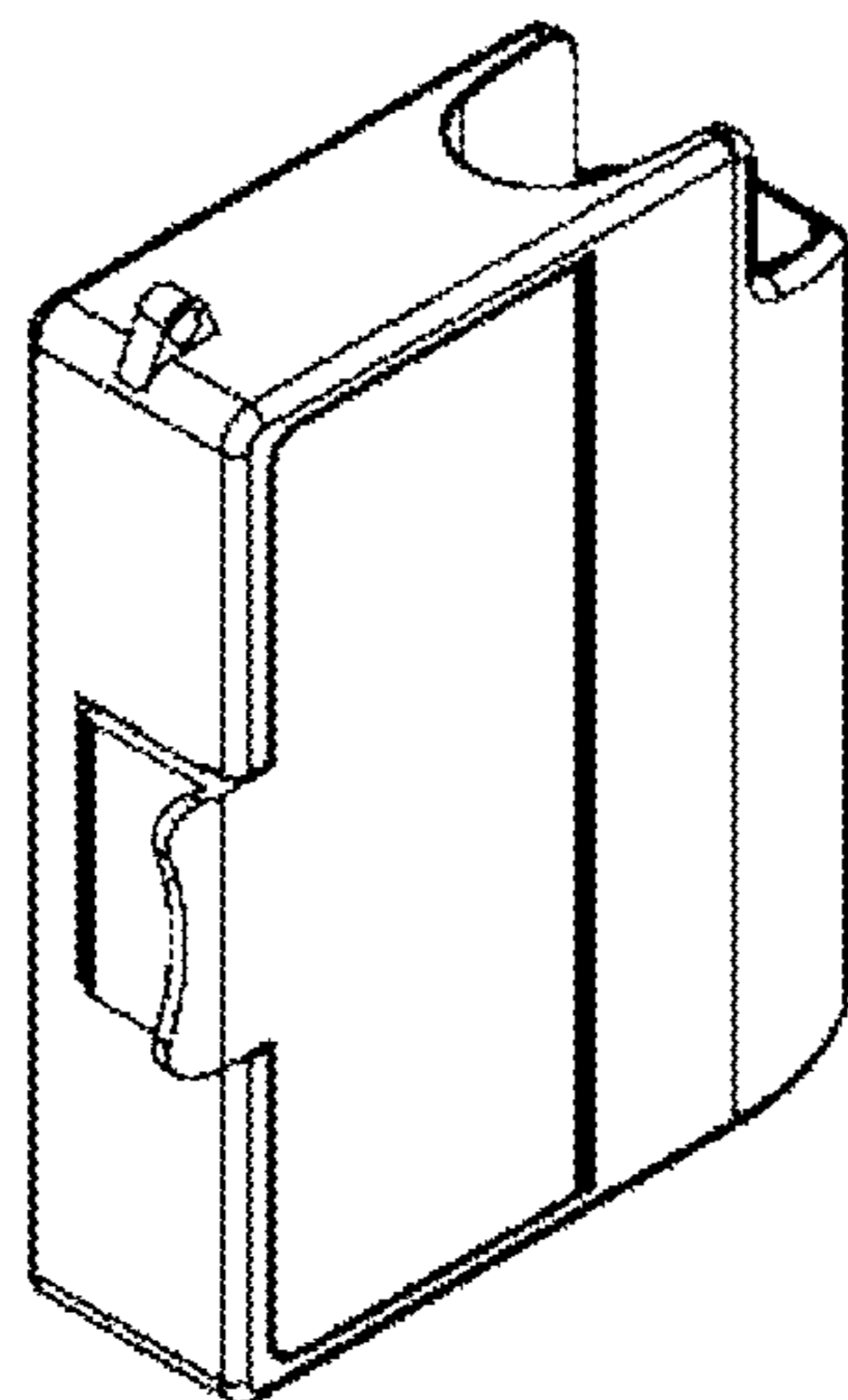
FIG. 7 is a front view of a receptacle for a lighter with integrated ashtray comprising the new, original and ornamental design, shown in an open position;

FIG. 8 is a left-hand side view of a receptacle for a lighter with integrated ashtray comprising the new, original and ornamental design shown in an open position;

FIG. 9 is a top view of a receptacle for a lighter with integrated ashtray comprising the new, original and ornamental design shown in an open position; and,

FIG. 10 is an isometric perspective view of a receptacle for a lighter with integrated ashtray comprising the new, original and ornamental design shown in an open position.

**1 Claim, 2 Drawing Sheets**



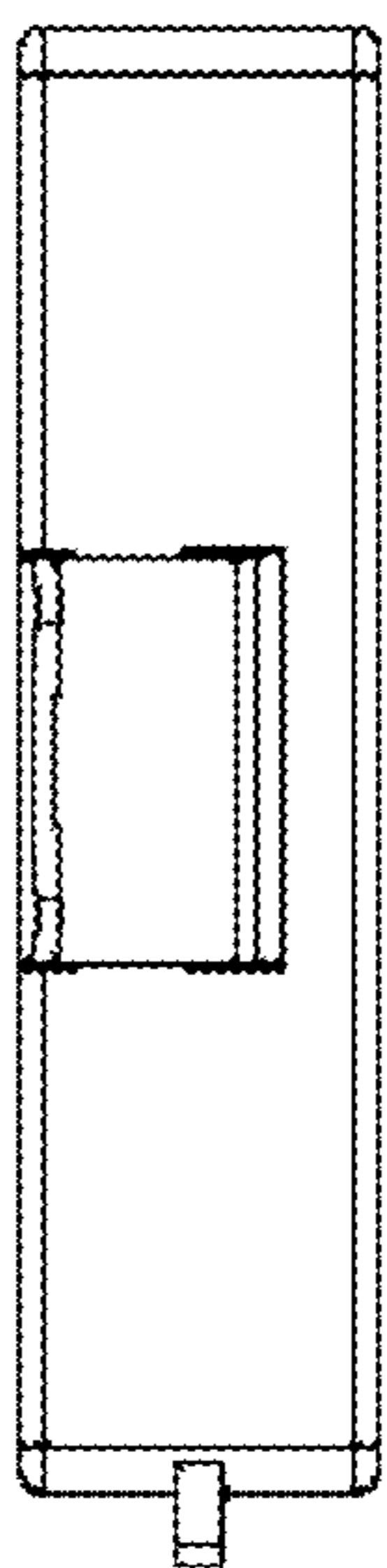


Fig. 1

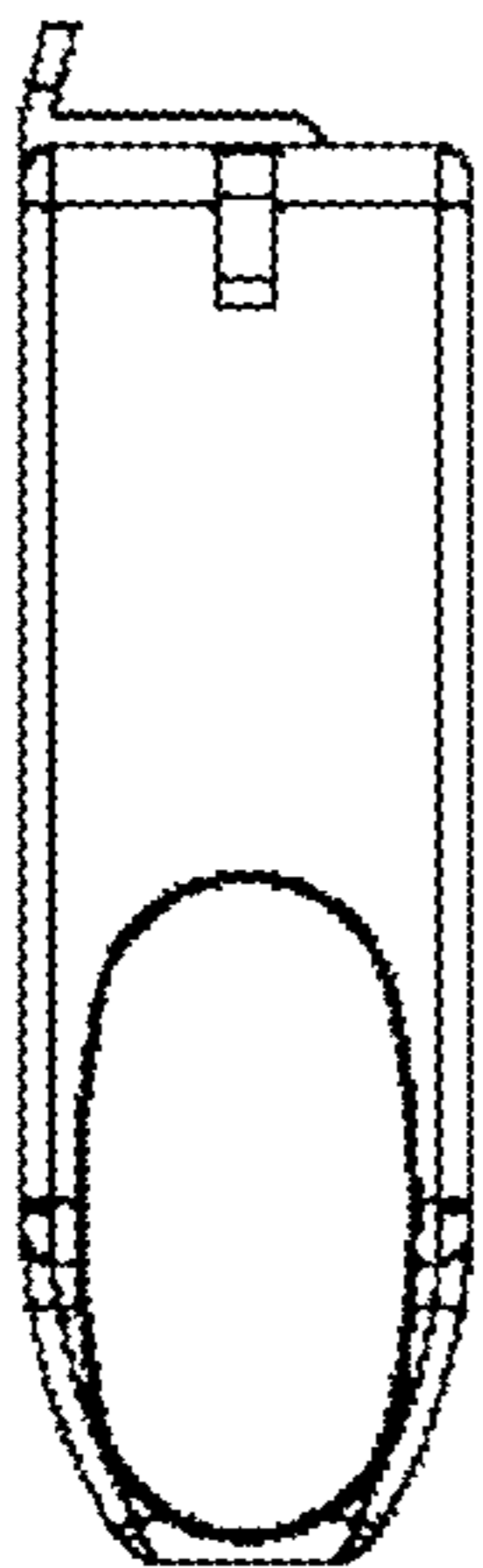


Fig. 2

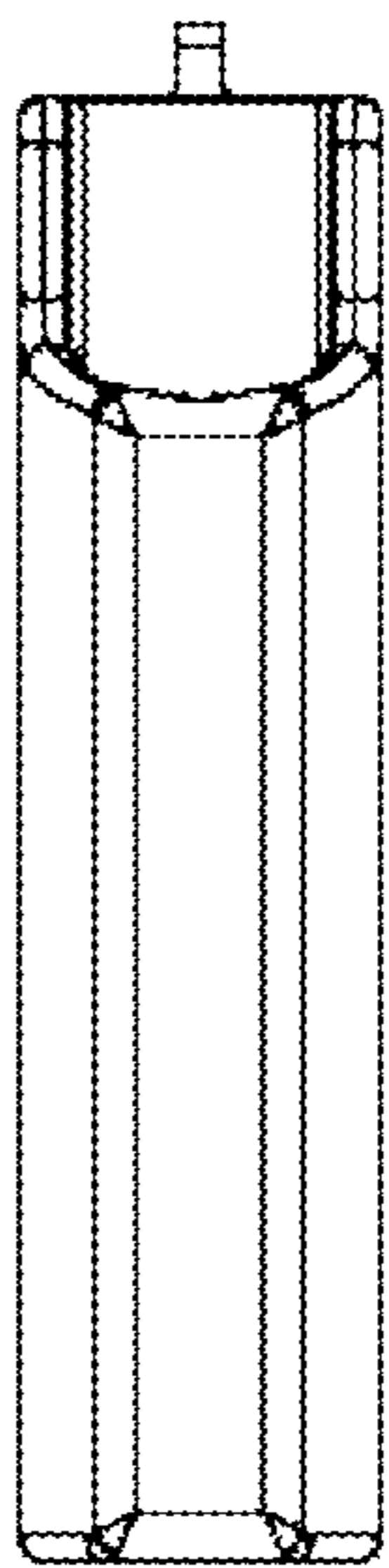


Fig. 3

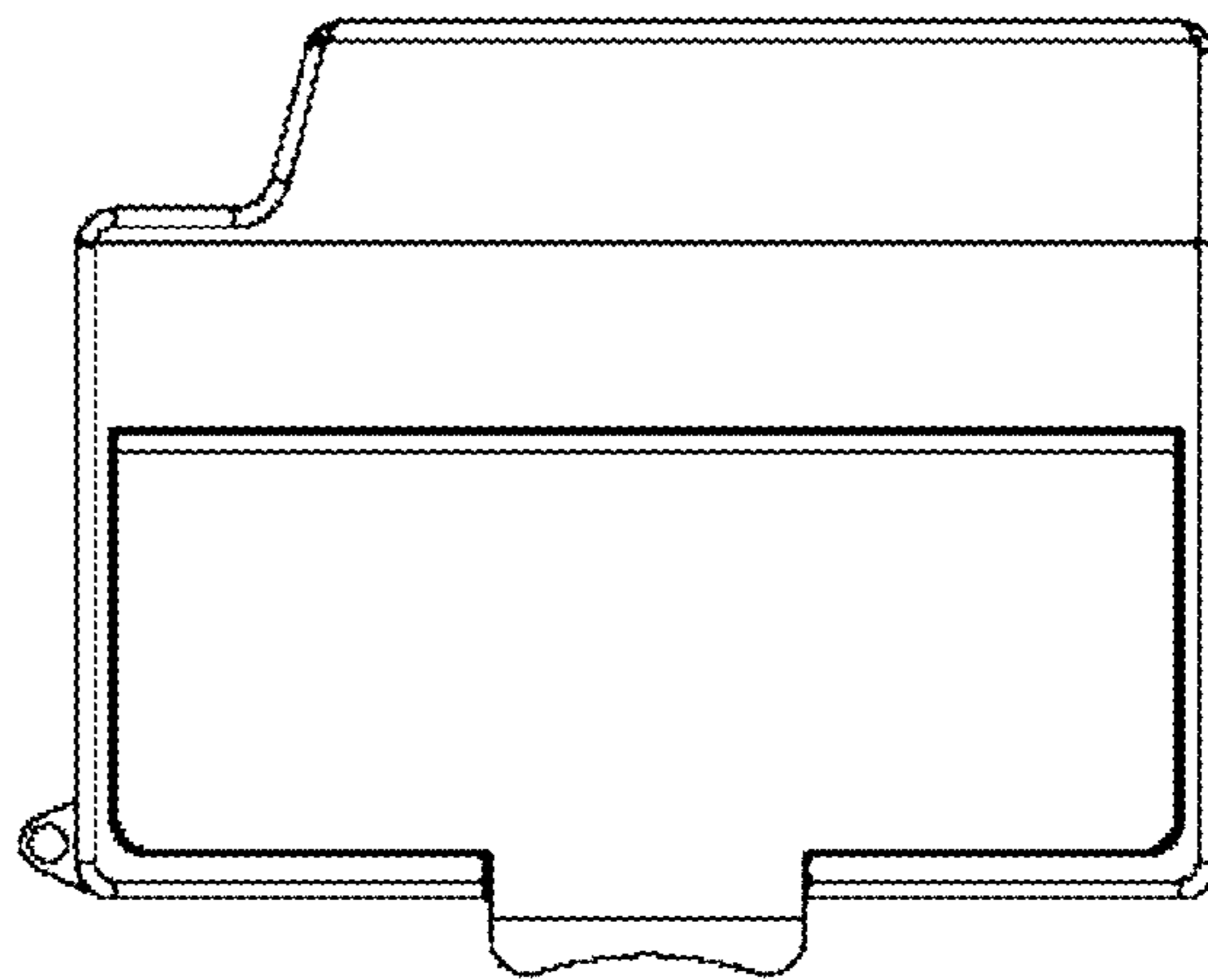


Fig. 4

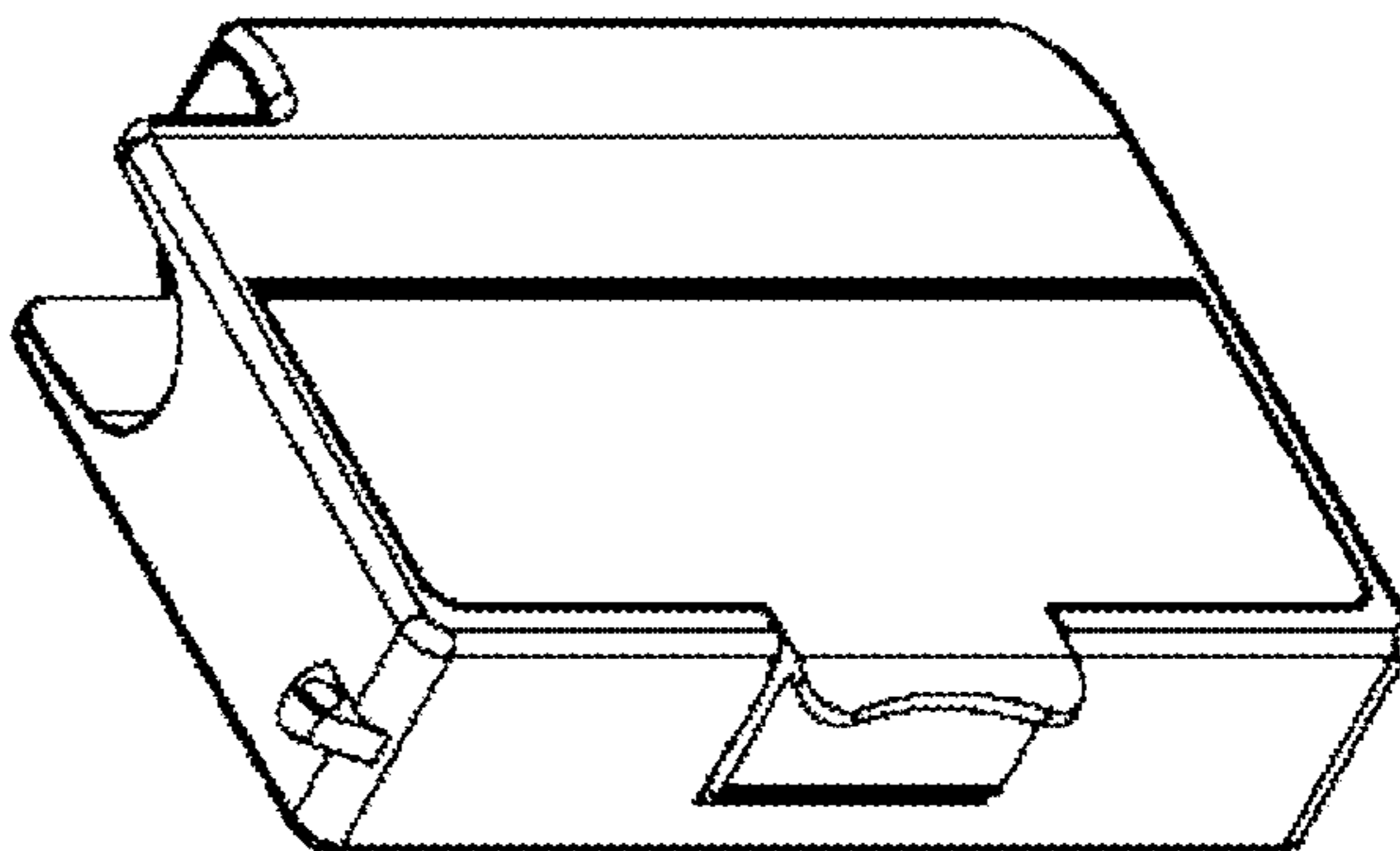


Fig. 5

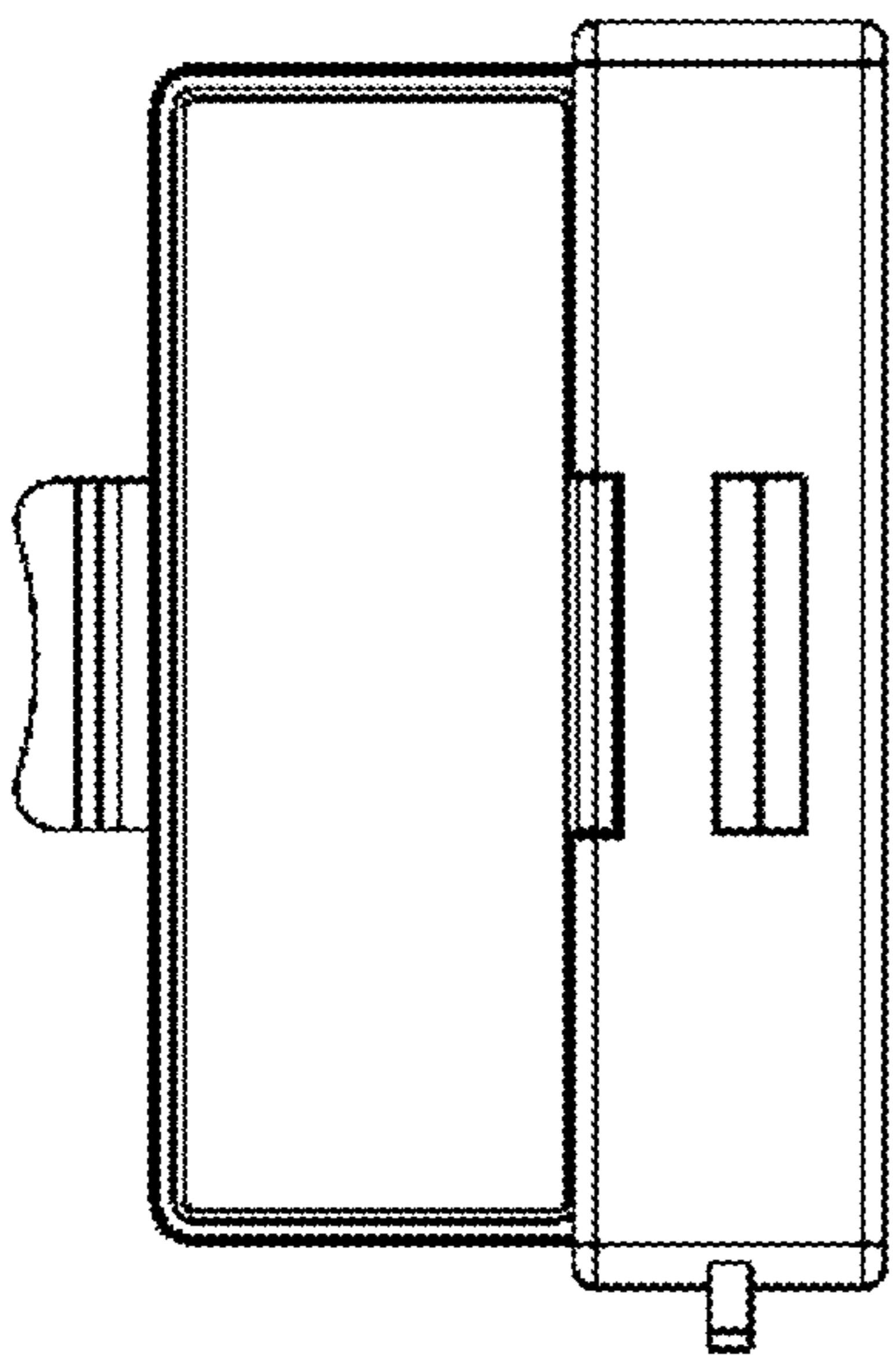


Fig. 6

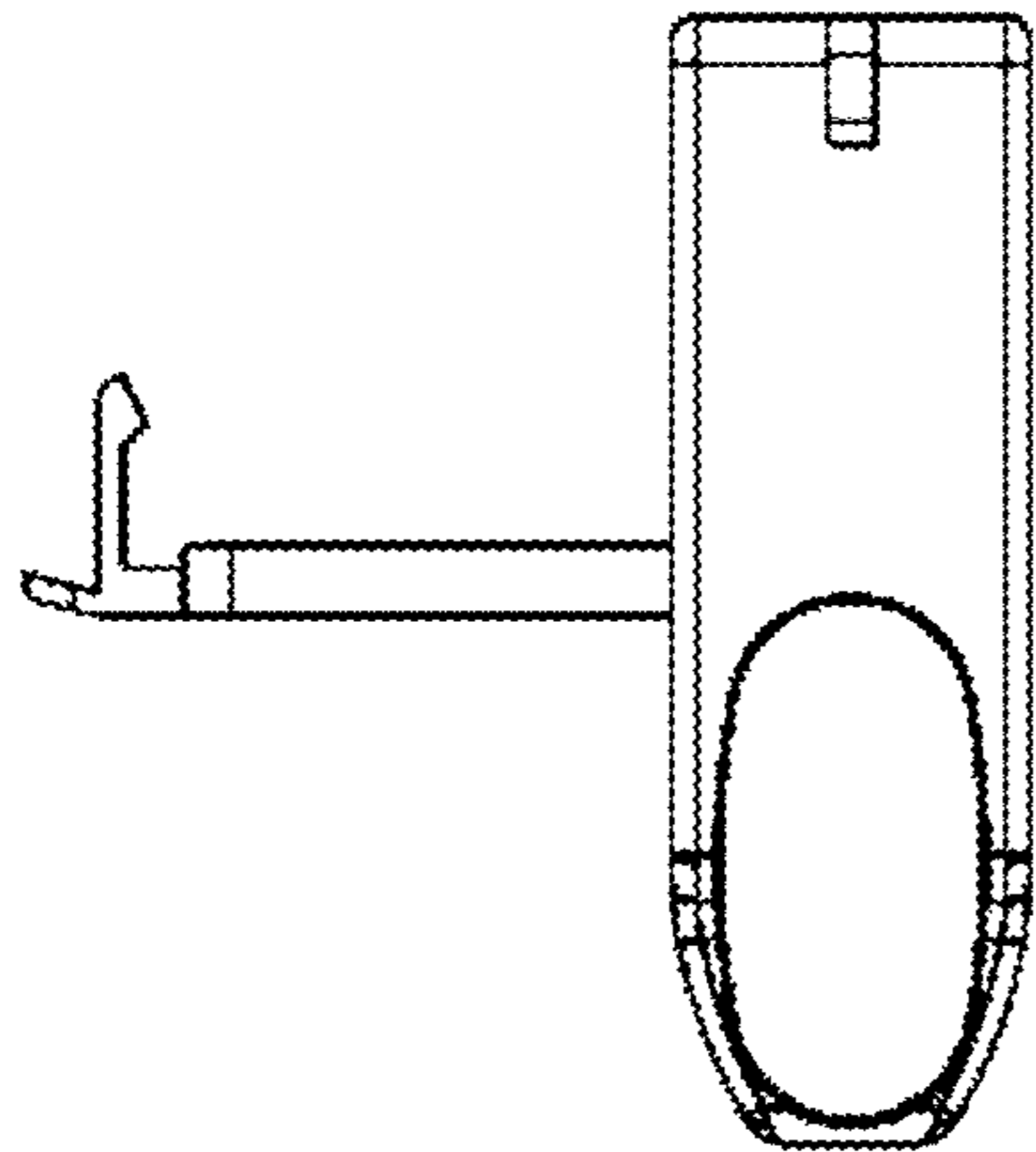


Fig. 7

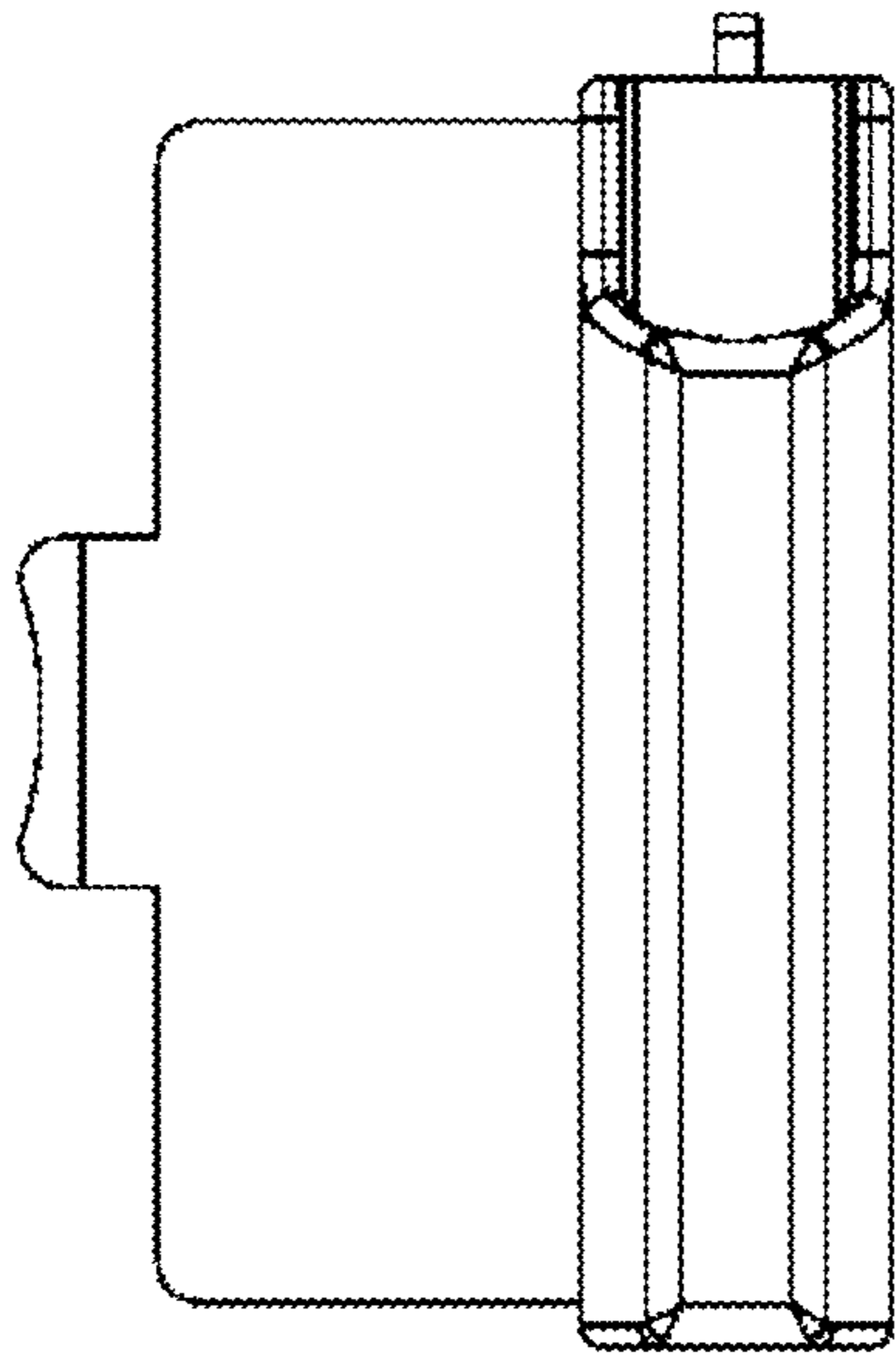


Fig. 8

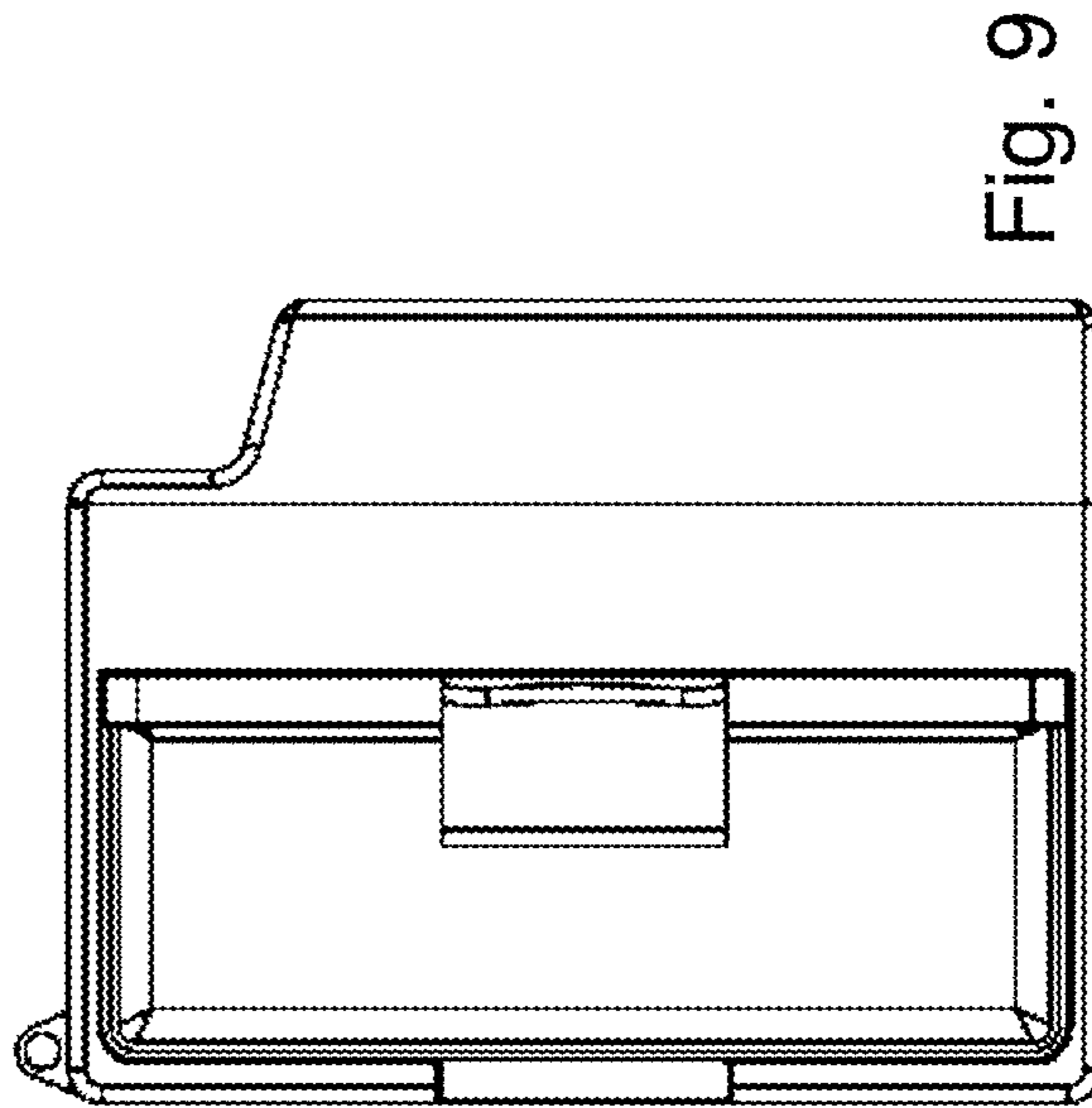


Fig. 9

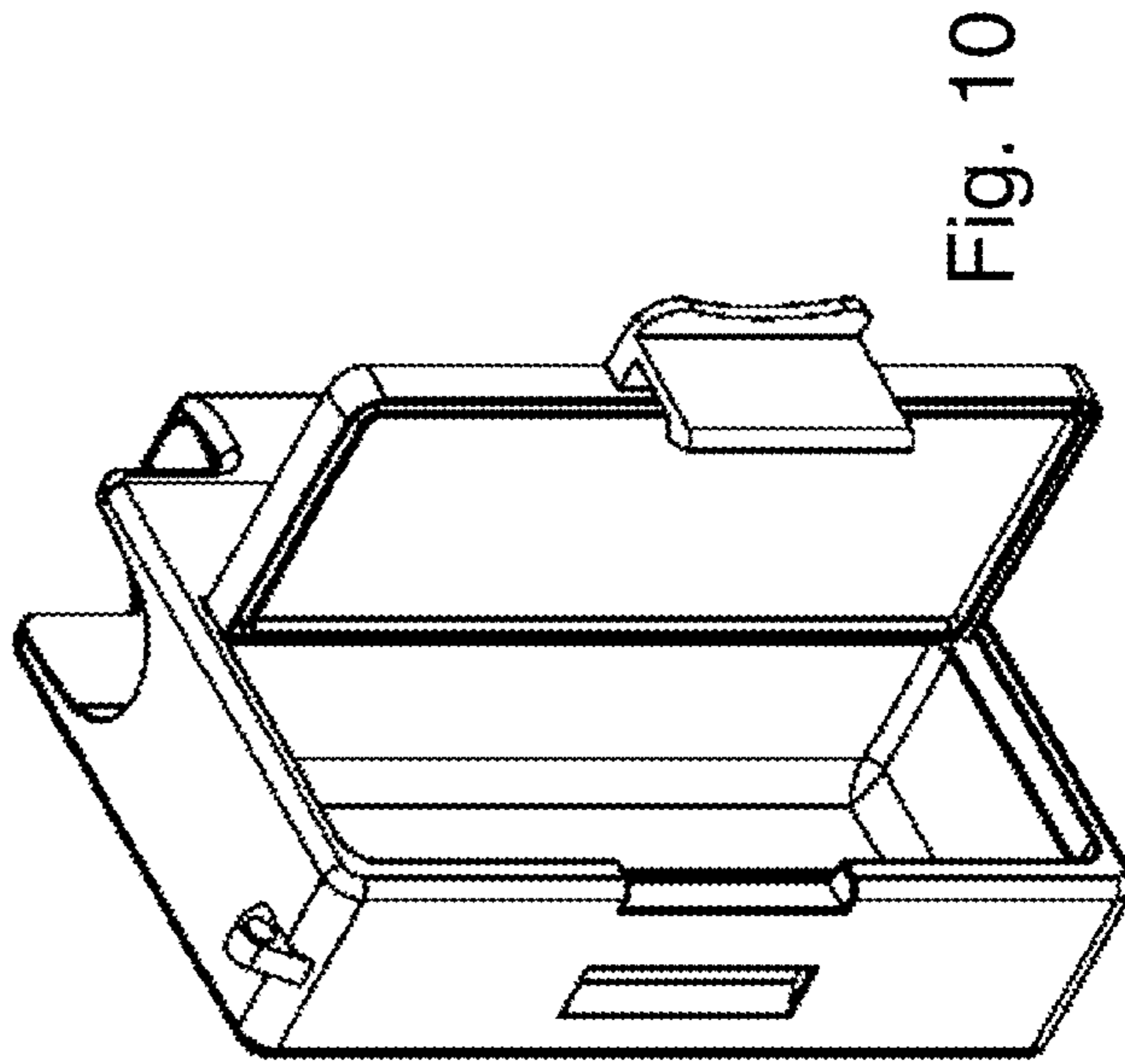


Fig. 10