



US00D616174S

(12) **United States Design Patent**
Beigel

(10) **Patent No.:** **US D616,174 S**

(45) **Date of Patent:** **** May 18, 2010**

(54) **CREMATORY URN**

(76) Inventor: **Achim Beigel**, Humweilerstrasse 73 b,
Oberthal (DE) 66649

(**) Term: **14 Years**

(21) Appl. No.: **29/340,892**

(22) Filed: **Jul. 28, 2009**

(30) **Foreign Application Priority Data**

May 28, 2009 (EM) 001528258-0004

(51) **LOC (9) Cl.** **99-00**

(52) **U.S. Cl.** **D99/5**

(58) **Field of Classification Search** D99/1,
D99/5; 27/1-10; D7/540, 591, 612, 619.1,
D7/624.3; D23/366; D9/503; 220/602,
220/568, 212, 212.5, 210, 200, 288, 62.18;
206/776, 217, 229; 215/12.2

See application file for complete search history.

(56) **References Cited**

U.S. PATENT DOCUMENTS

- 1,969,486 A * 8/1934 Kurz 220/568
- 1,974,996 A * 9/1934 Punte 220/602
- 1,977,641 A * 10/1934 Loeber 220/212.5
- 2,013,615 A * 9/1935 Fontan 220/568
- D98,914 S * 3/1936 Briscoe D99/5
- 2,196,486 A * 4/1940 Anderson 220/288
- D120,797 S * 5/1940 Boe D9/503
- 2,235,617 A * 3/1941 Klinzing 220/288
- 2,364,916 A * 12/1944 Rasmussen 206/445
- 2,385,520 A * 9/1945 Klinzing 27/1
- 2,500,611 A * 3/1950 Kereluck 99/508
- 2,670,868 A * 3/1954 Stover et al. 215/46
- 2,786,595 A * 3/1957 Nelson 220/212
- 2,913,140 A * 11/1959 Vuillemenot 220/210
- 3,051,303 A * 8/1962 Daanen et al. 206/776
- 3,071,281 A * 1/1963 Sawai 220/4.01
- 3,120,319 A * 2/1964 Buddrus 215/12.2

- 3,288,344 A * 11/1966 Woollen et al. 229/103.1
- 3,323,683 A * 6/1967 Cianciolo 222/142.6
- 3,323,706 A * 6/1967 Gereke 206/217
- D213,777 S * 4/1969 Chandler D99/5
- D214,894 S * 8/1969 Chandler D99/5
- D257,819 S * 1/1981 Morin D7/591
- D263,088 S * 2/1982 Krech D99/5
- D294,446 S * 3/1988 Tardif D7/612
- 5,082,136 A * 1/1992 Schumann 220/278
- 5,172,457 A * 12/1992 Allen et al. 27/1
- 5,180,079 A * 1/1993 Jeng 220/705
- D356,422 S * 3/1995 Parker D99/5
- D360,732 S * 7/1995 Parker D99/5
- 5,727,707 A * 3/1998 Wickland et al. 220/288
- D398,733 S * 9/1998 Diviak, Sr. D99/5
- D411,747 S * 6/1999 Kokenge et al. D9/503
- D452,826 S * 1/2002 Bezek et al. D9/503
- D479,641 S * 9/2003 Robinson D99/5

FOREIGN PATENT DOCUMENTS

- EM 000981089-0001 S 8/2008
- EM 000981089-0003 S 8/2008
- EM 000981089-0005 S 8/2008
- EM 000981089-0006 S 8/2008
- EM 000981089-0007 S 8/2008

* cited by examiner

Primary Examiner—Paula Greene

(57) **CLAIM**

The ornamental design for a crematory urn, as shown and described.

DESCRIPTION

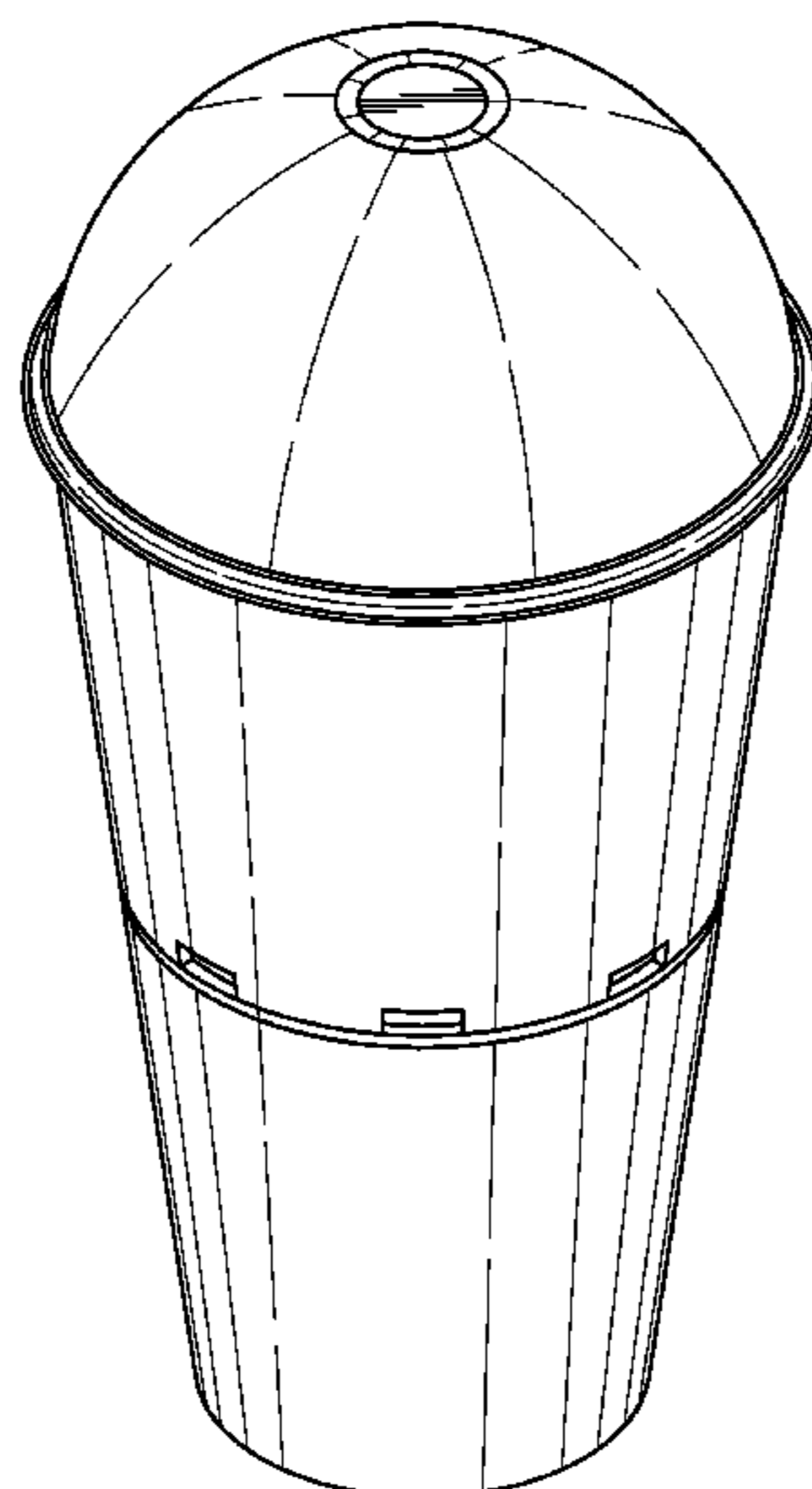
FIG. 1 is a perspective view of a crematory urn showing my new design;

FIG. 2 is a front elevational view, the left side, right side, and rear elevational views are a mirror image thereof;

FIG. 3 is a top plan view thereof; and,

FIG. 4 is a bottom plan view thereof.

1 Claim, 4 Drawing Sheets



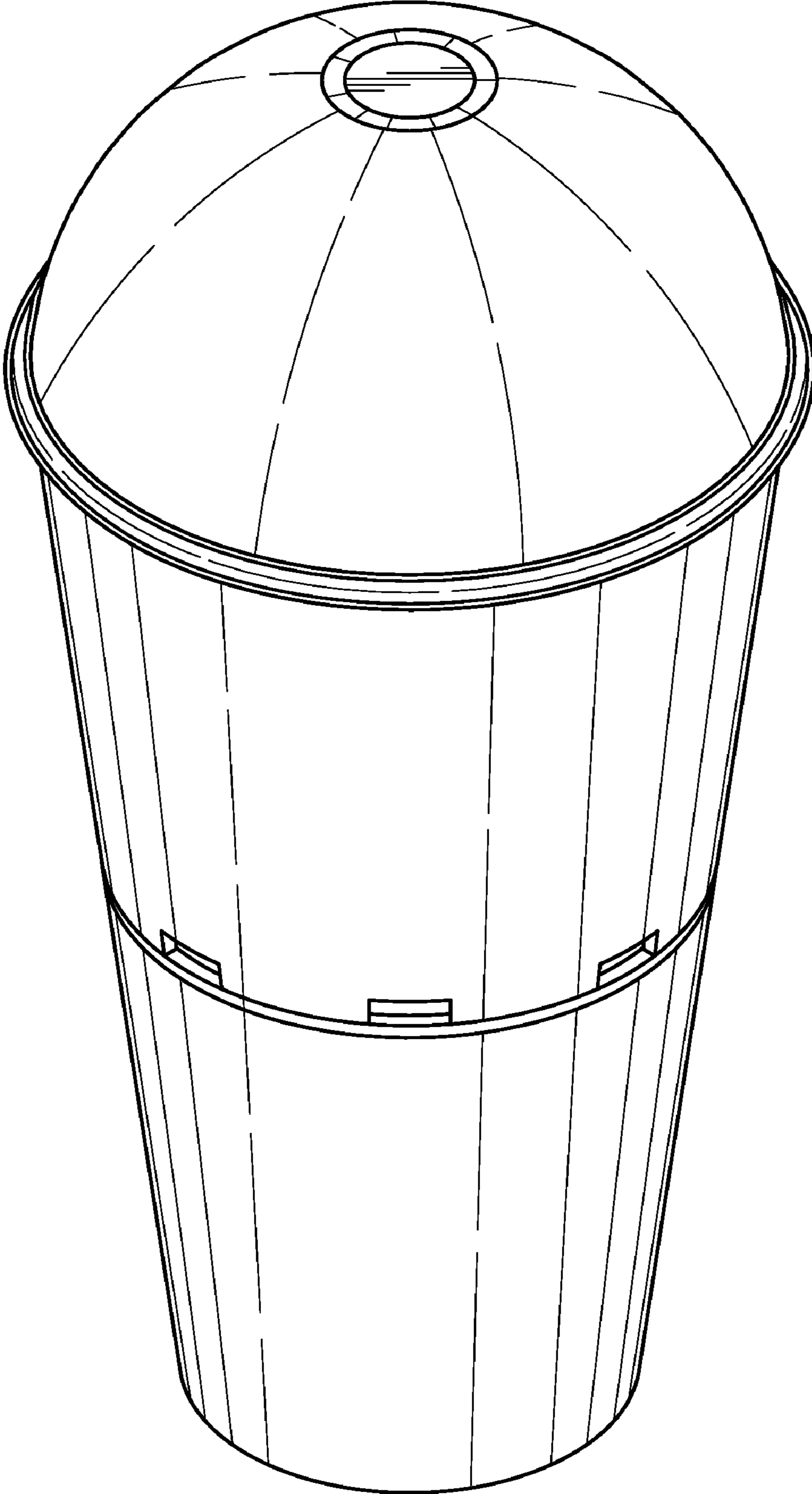


Fig. 1

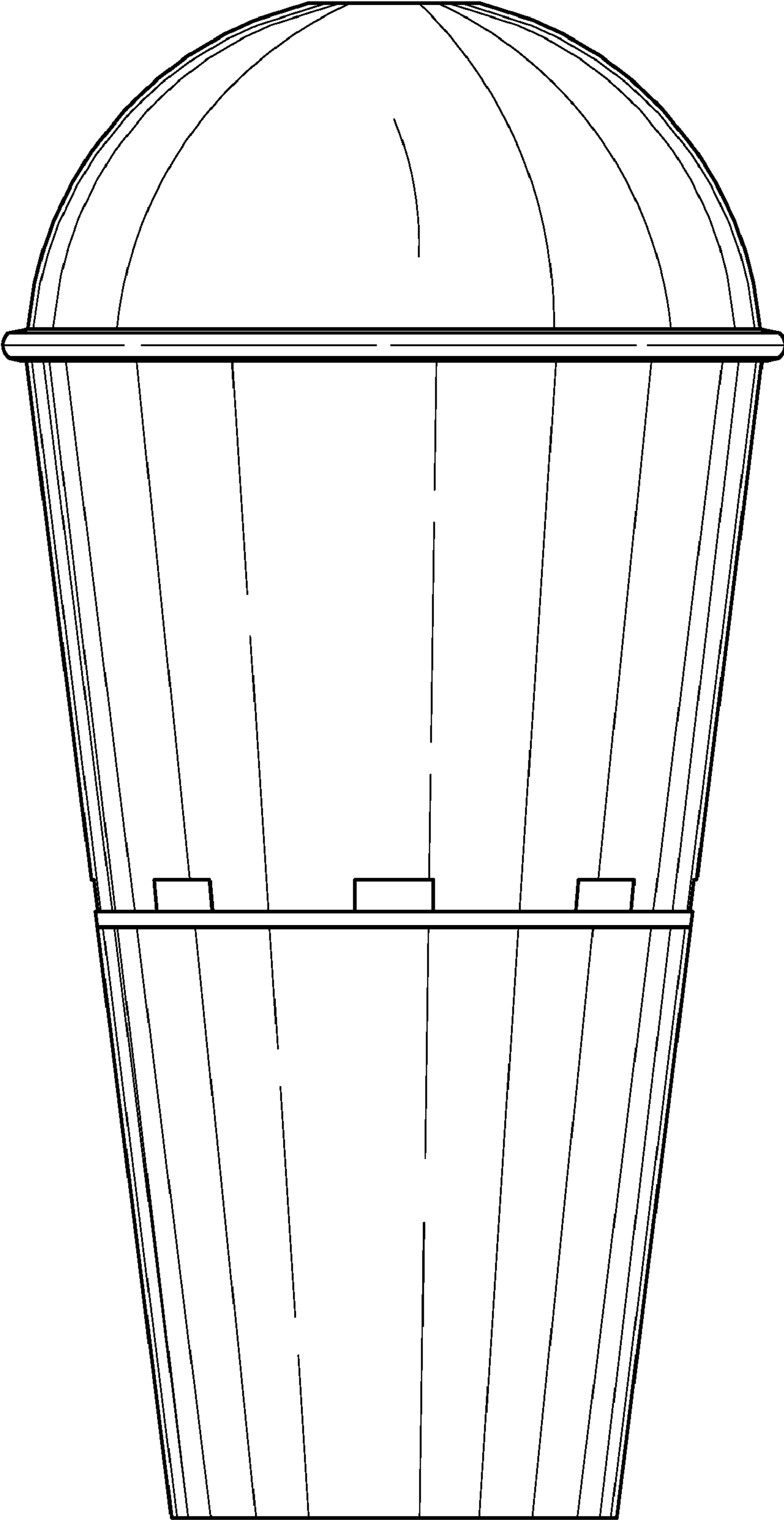


Fig. 2

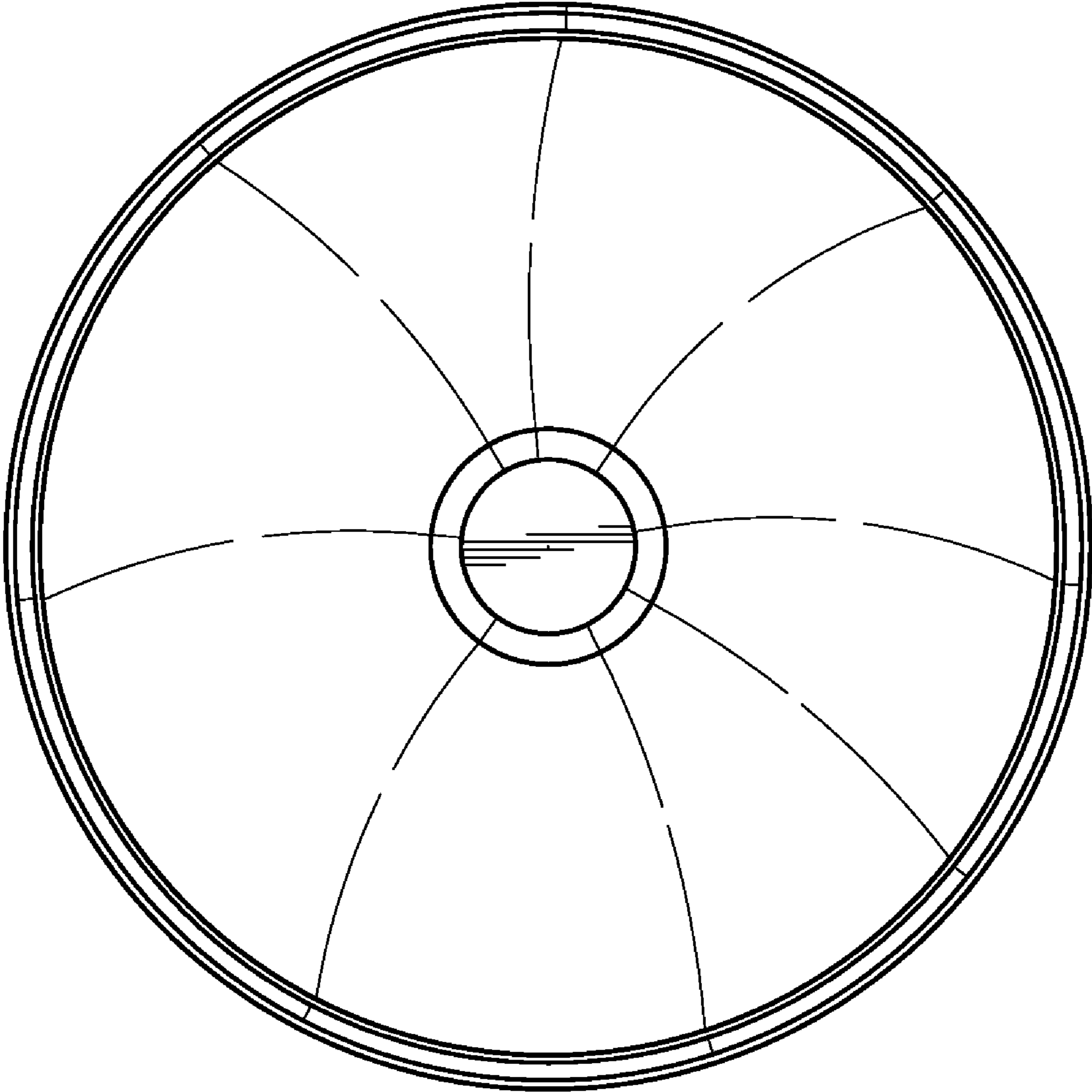


Fig. 3

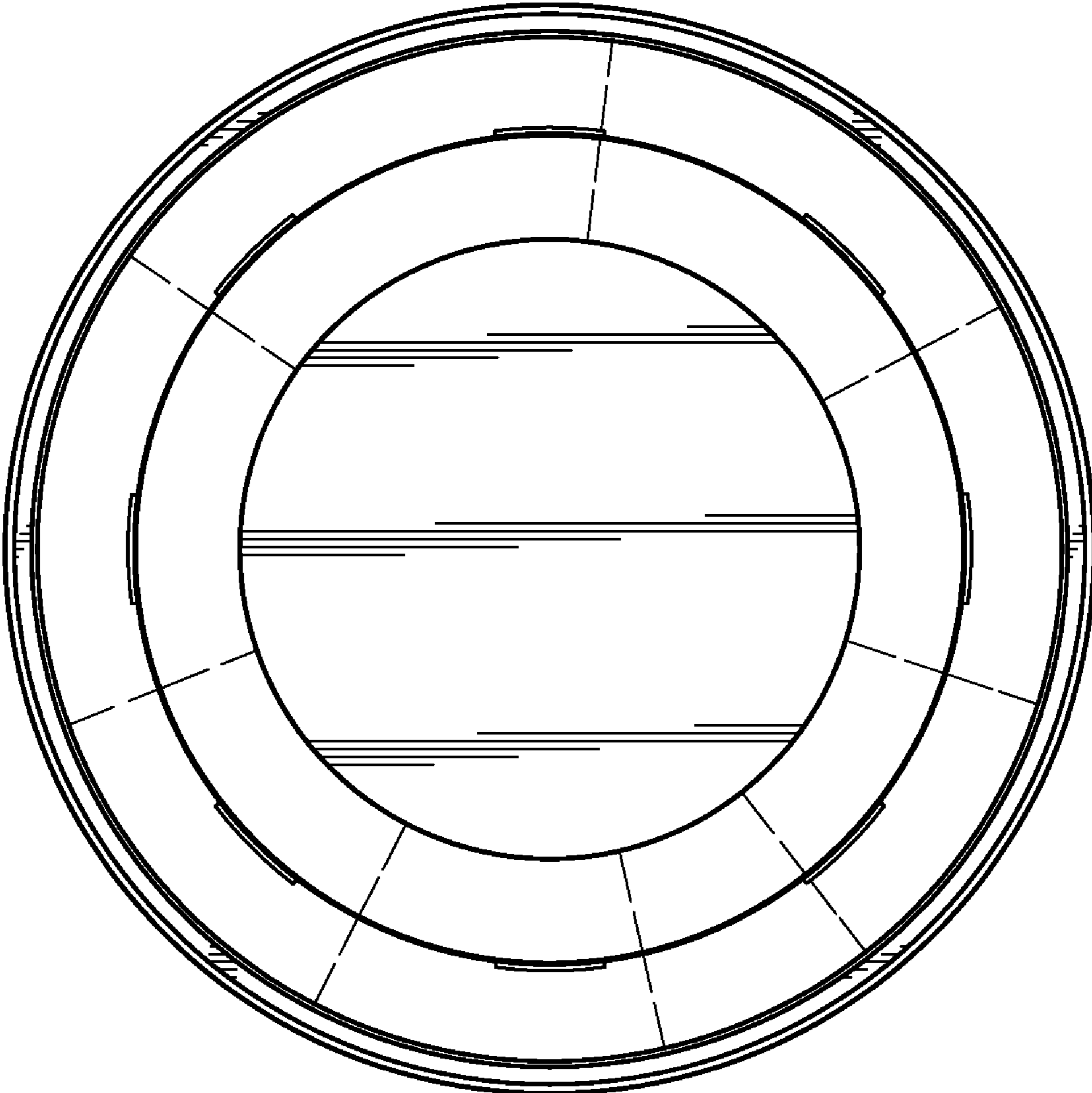


Fig. 4