



US00D616171S

(12) **United States Design Patent**  
**Rizzi**

(10) **Patent No.:** **US D616,171 S**

(45) **Date of Patent:** **\*\* \*May 18, 2010**

(54) **RECYCLING BIN**

D586,972 S \* 2/2009 Yang et al. .... D34/7

(75) Inventor: **John Rizzi**, Westport, CT (US)

\* cited by examiner

(73) Assignee: **Landscape Forms, Inc.**, Kalamazoo, MI (US)

*Primary Examiner*—Cynthia E Ramirez

(74) *Attorney, Agent, or Firm*—Heslin Rothenberg Farley & Mesiti P.C.

(\* ) Notice: This patent is subject to a terminal disclaimer.

(57) **CLAIM**

(\*\* ) Term: **14 Years**

The ornamental design for the recycling bin, as shown and described.

(21) Appl. No.: **29/333,948**

**DESCRIPTION**

(22) Filed: **Mar. 18, 2009**

This application is related to commonly assigned, concurrently filed application Ser. No. 29/333,947.

(51) **LOC (9) Cl.** ..... **09-09**

(52) **U.S. Cl.** ..... **D34/7**

(58) **Field of Classification Search** ..... D34/1–11;  
220/908–913

FIG. 1 is an isometric view of the recycling bin of the present design;

FIG. 2 is a front elevation view thereof;

FIG. 3 is a right side elevation view thereof, the left side elevation view being a mirror image thereof;

FIG. 4 is a top plan view thereof;

FIG. 5 is a rear elevation view thereof;

FIG. 6 is a isometric view thereof in a first environment; and,

FIG. 7 is an isometric view thereof in a second environment.

See application file for complete search history.

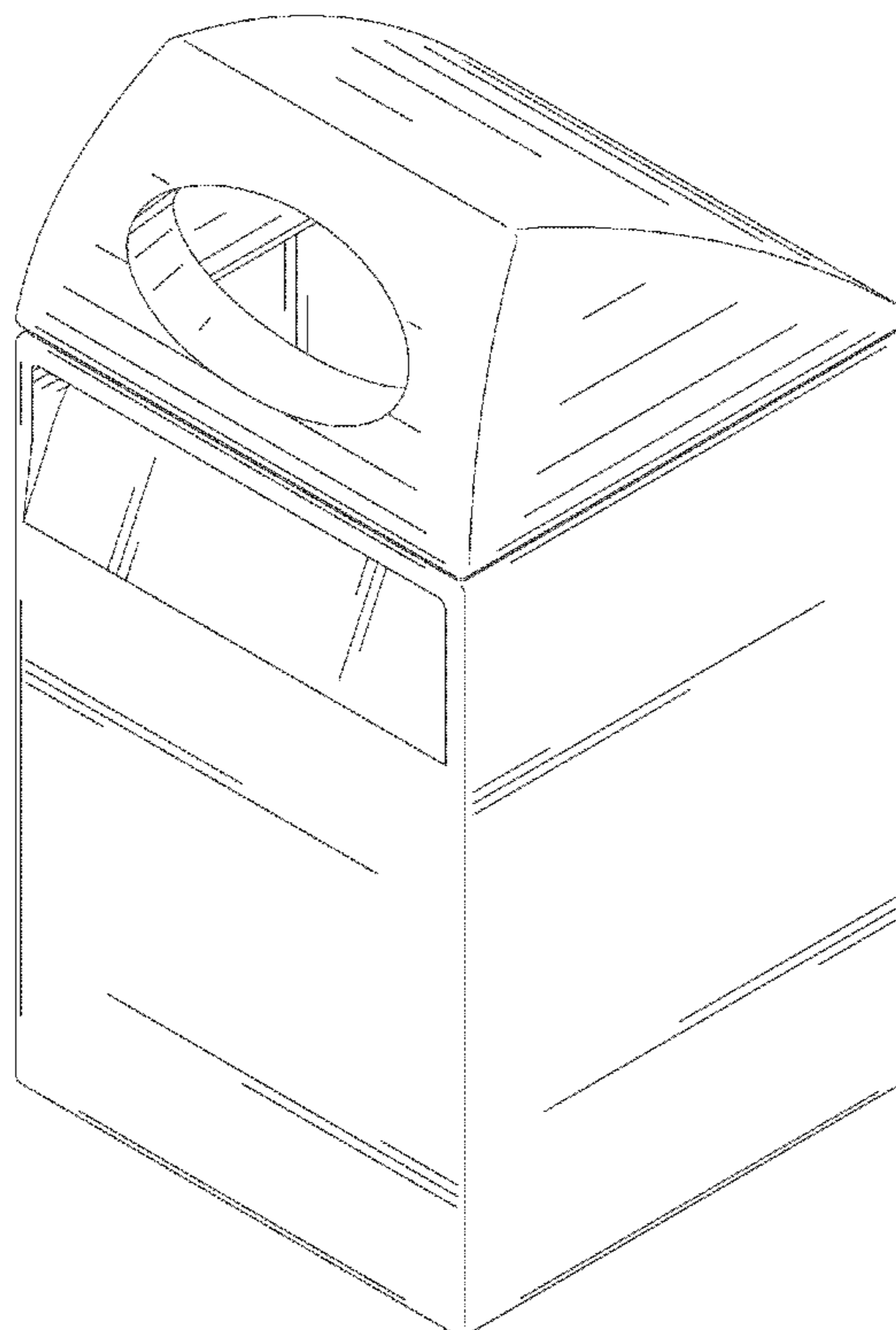
The broken lines showing in FIGS. 6 and 7 is included for the purpose of illustrating environment and forms no part of the claimed design.

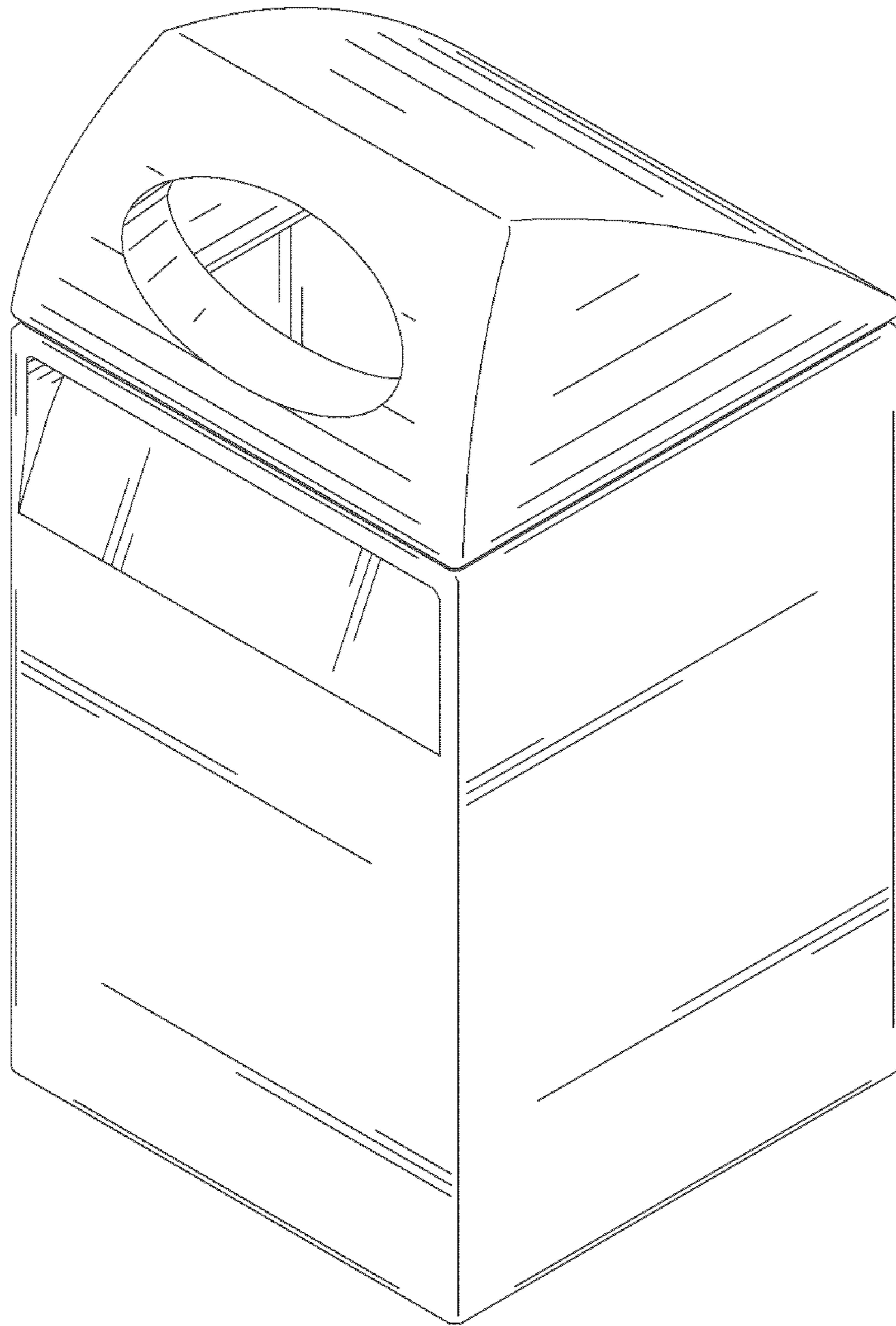
(56) **References Cited**

**U.S. PATENT DOCUMENTS**

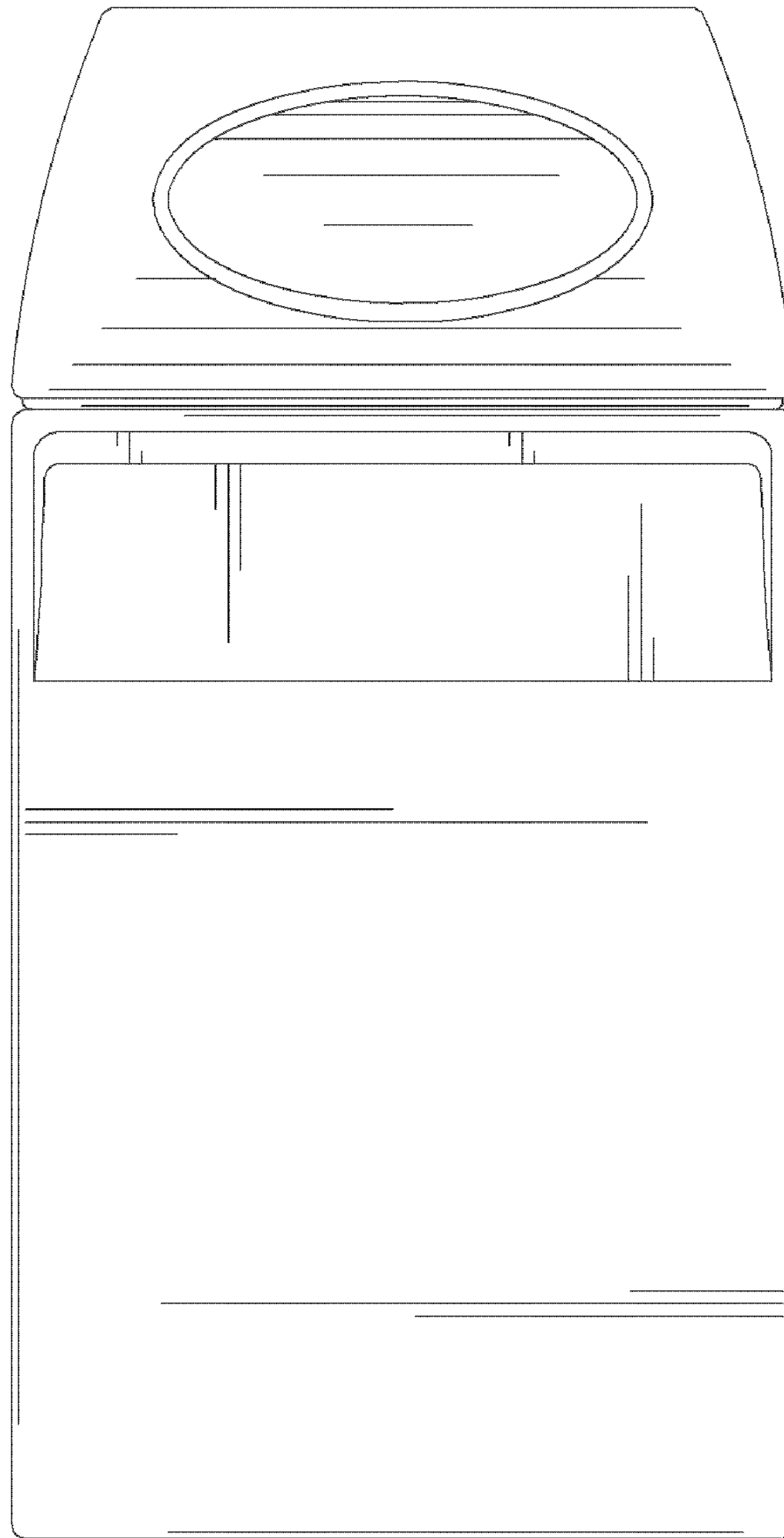
4,577,778	A *	3/1986	Kim	.....	220/495.07
4,593,615	A *	6/1986	Kehl	.....	100/227
4,863,052	A *	9/1989	Lambert	.....	229/117.3
D338,091	S *	8/1993	Serrault	.....	D34/1
D339,438	S *	9/1993	Moran	.....	D34/7
5,642,828	A *	7/1997	Sorens	.....	220/4.03
D555,317	S *	11/2007	Yang et al.	.....	D34/1
D562,521	S *	2/2008	Renard	.....	D34/7
D584,467	S *	1/2009	Tuncel	.....	D34/7

**1 Claim, 7 Drawing Sheets**

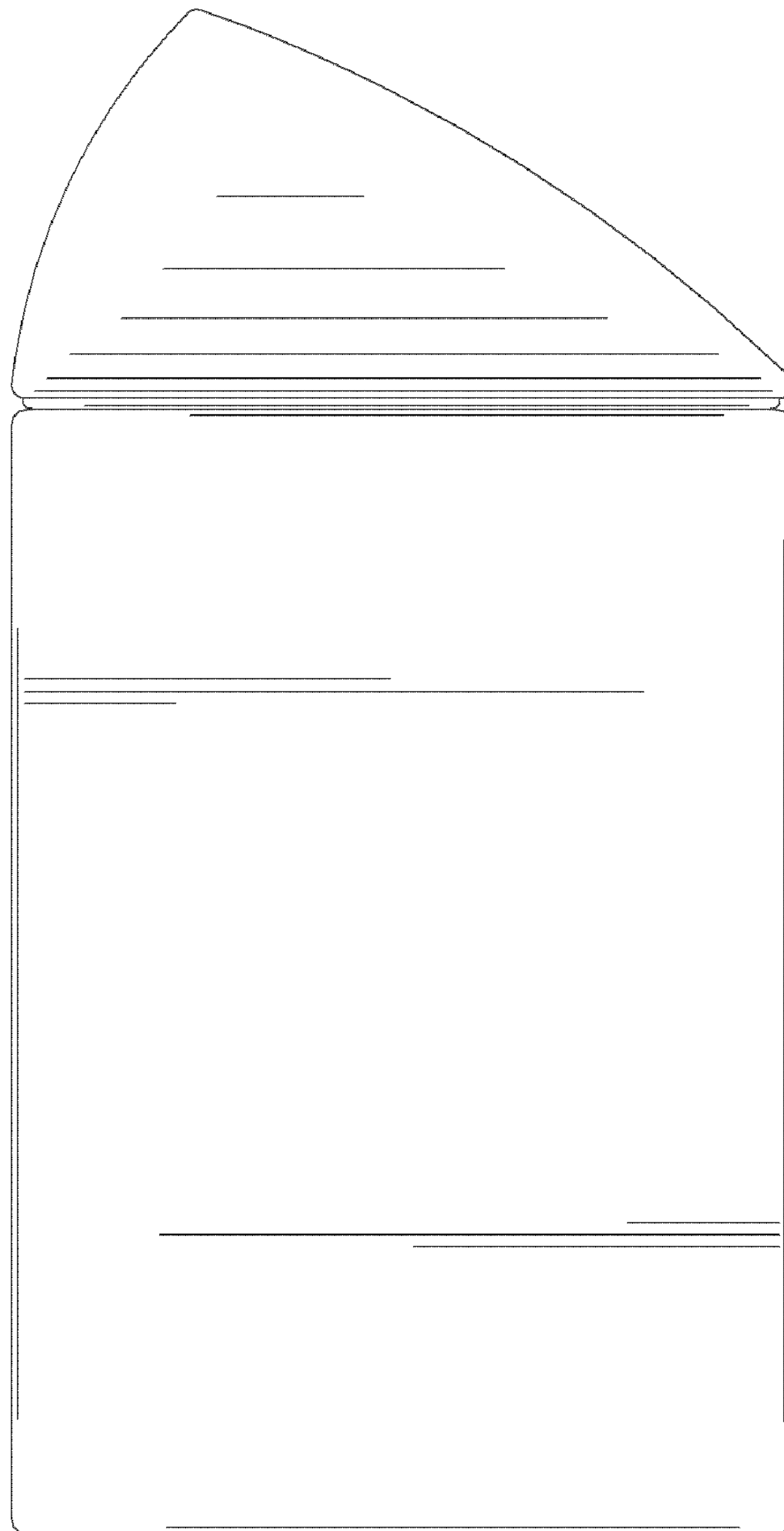




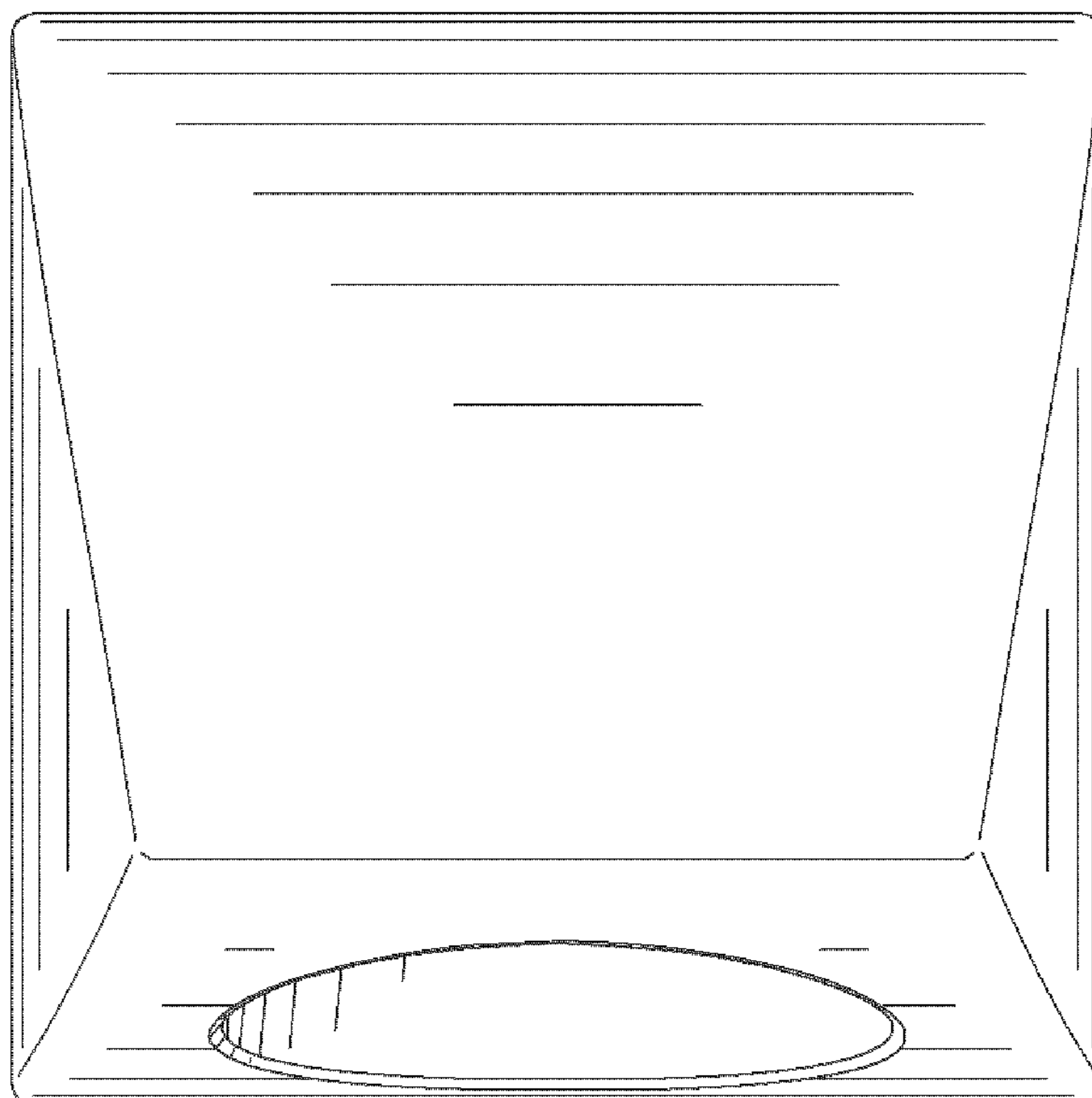
***FIG. 1***



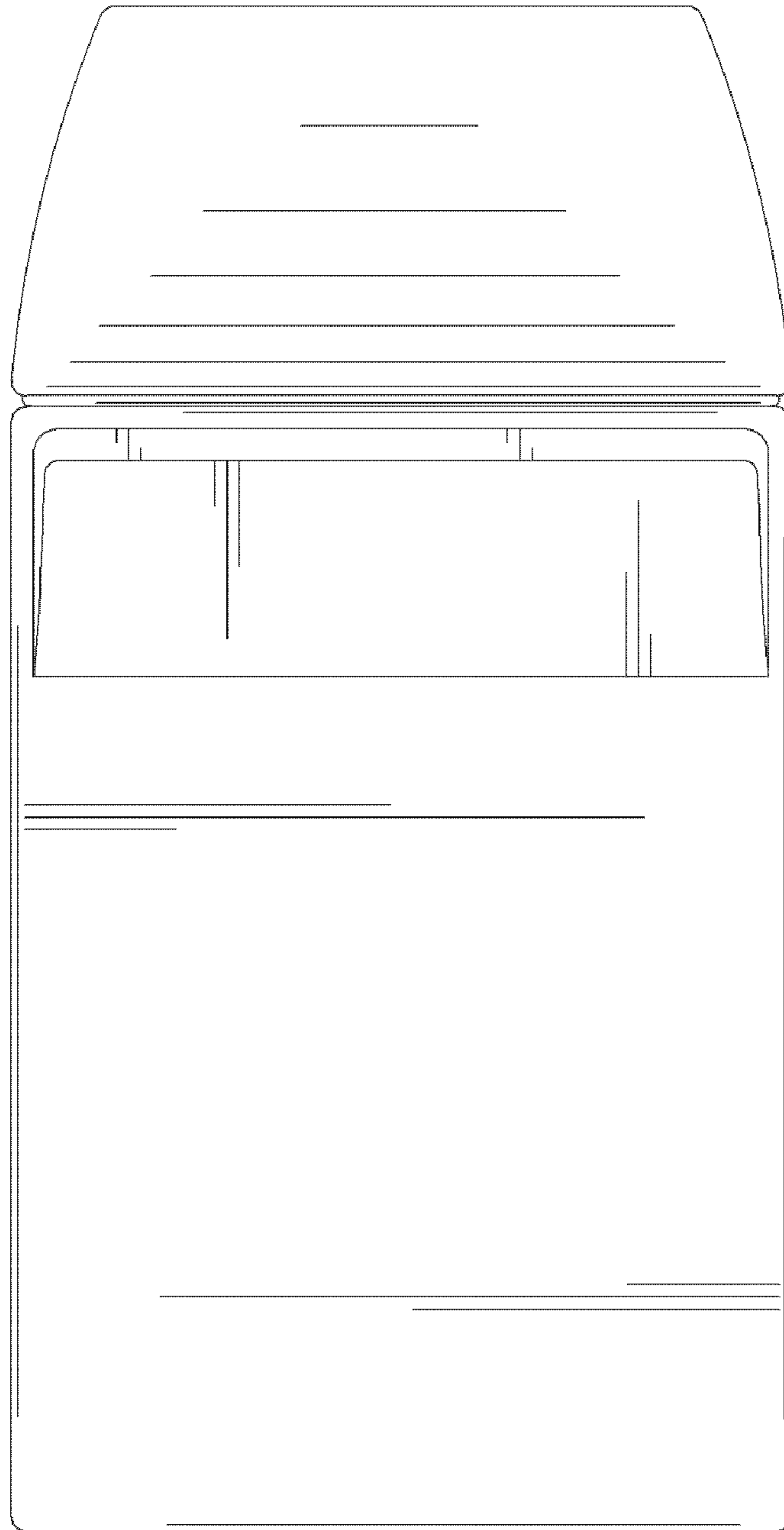
**FIG. 2**



***FIG. 3***

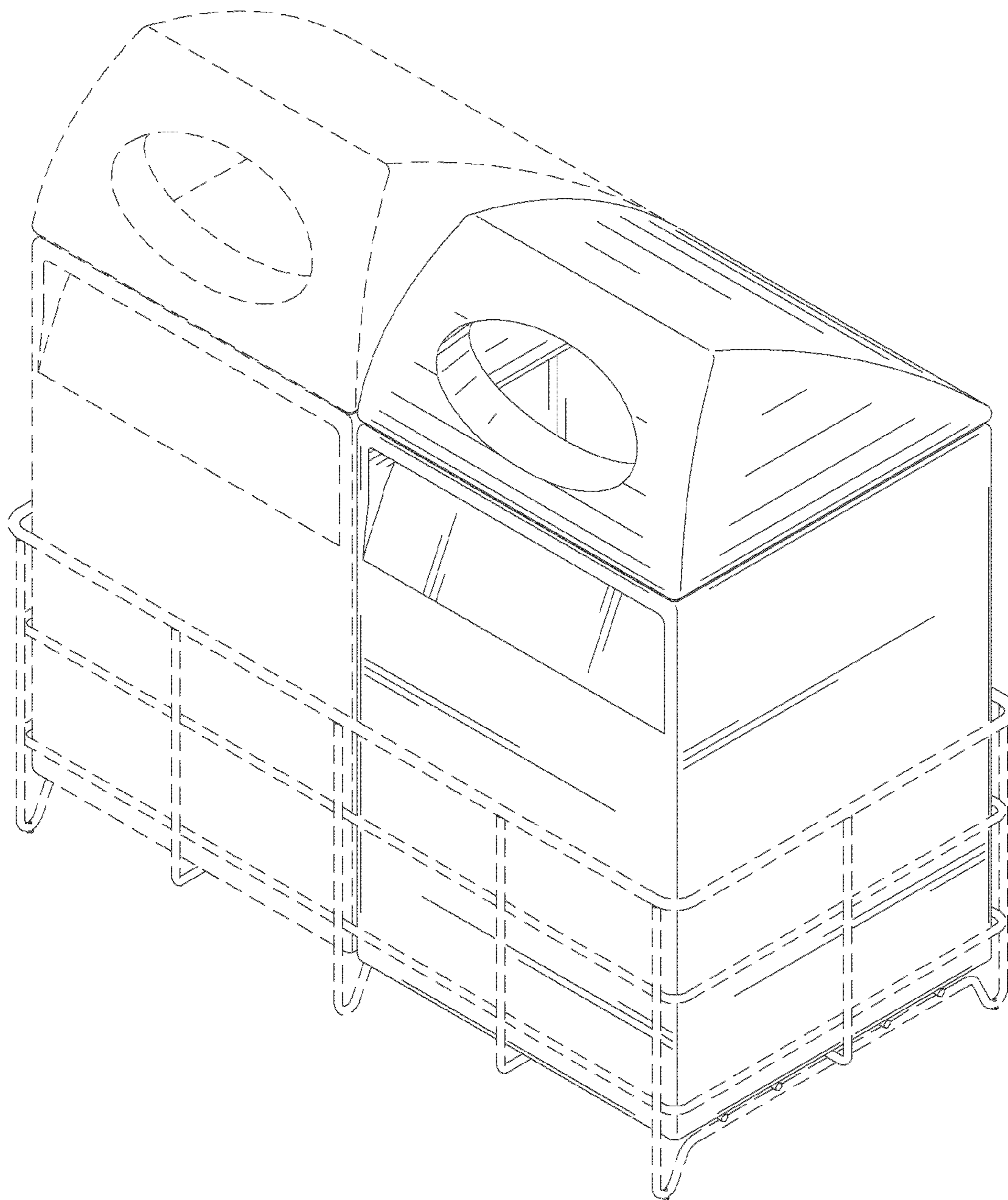


***FIG. 4***

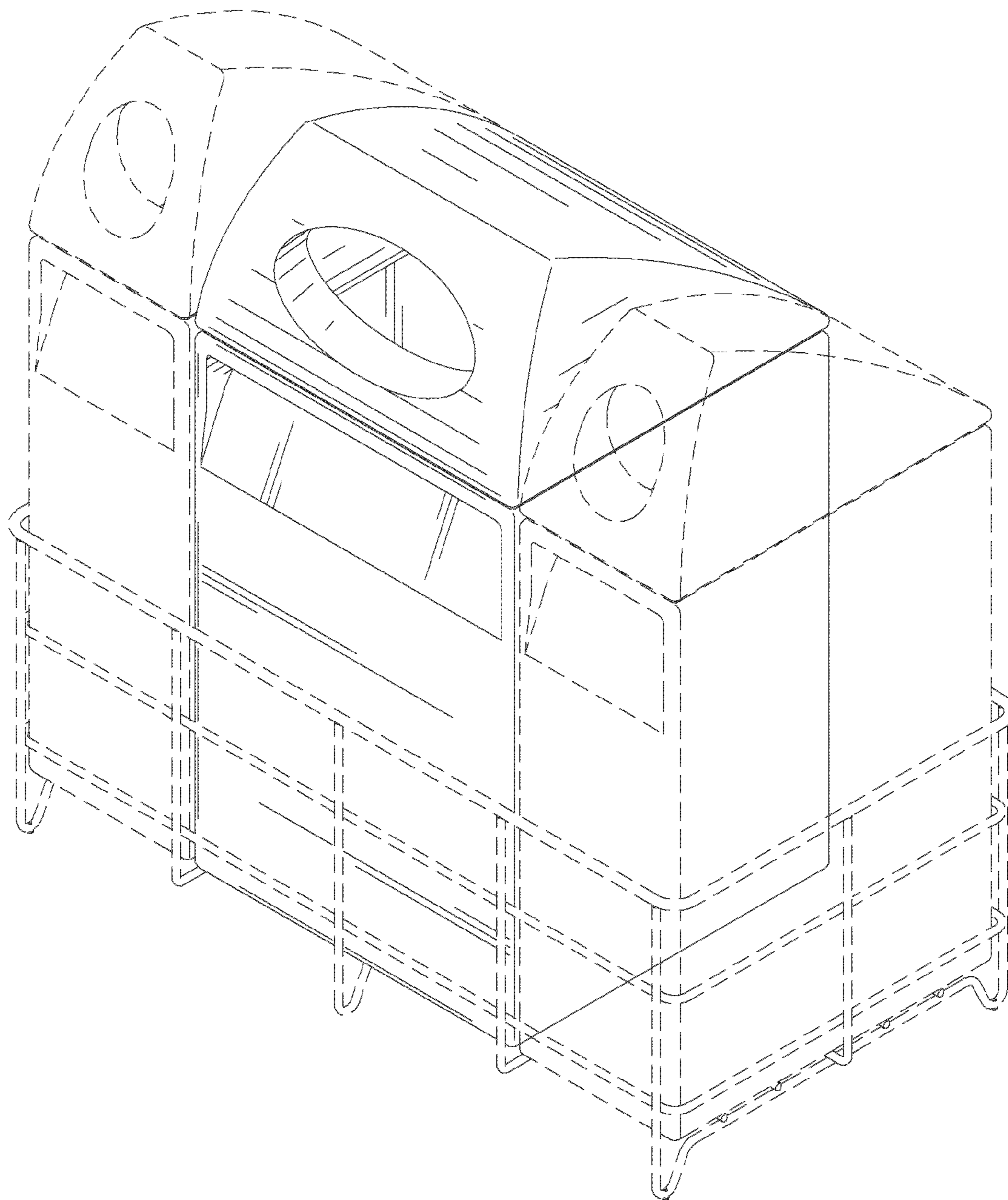


**FIG. 5**





**FIG. 6**



**FIG. 7**