



US00D616170S

(12) **United States Design Patent**
Rizzi

(10) **Patent No.:** **US D616,170 S**

(45) **Date of Patent:** **** *May 18, 2010**

(54) **RECYCLING BIN**

D586,972 S * 2/2009 Yang et al. D34/7

(75) Inventor: **John Rizzi**, Westport, CT (US)

* cited by examiner

(73) Assignee: **Landscape Forms, Inc.**, Kalamazoo, MI (US)

Primary Examiner—Cynthia E Ramirez
(74) *Attorney, Agent, or Firm*—Heslin Rothenberg Farley & Mesiti P.C.

(*) Notice: This patent is subject to a terminal disclaimer.

(57) **CLAIM**

(**) Term: **14 Years**

The ornamental design for the recycling bin, as shown and described.

(21) Appl. No.: **29/333,947**

DESCRIPTION

(22) Filed: **Mar. 18, 2009**

This application is related to commonly assigned, concurrently filed application Ser. No. 29/333,948.

(51) **LOC (9) Cl.** **09-09**

(52) **U.S. Cl.** **D34/7**

(58) **Field of Classification Search** D34/1–11;
220/908–913

FIG. 1 is an isometric view of the recycling bin of the present design;

FIG. 2 is a front elevation view thereof;

FIG. 3 is a right side elevation view thereof, the left side elevation view being a mirror image thereof;

FIG. 4 is a top plan view thereof;

FIG. 5 is a rear elevation view thereof;

FIG. 6 is a isometric view thereof in a first environment; and,

FIG. 7 is an isometric view thereof in a second environment.

The broken line showing in FIGS. 6 and 7 is included for the purpose of illustrating environment and forms no part of the claimed design.

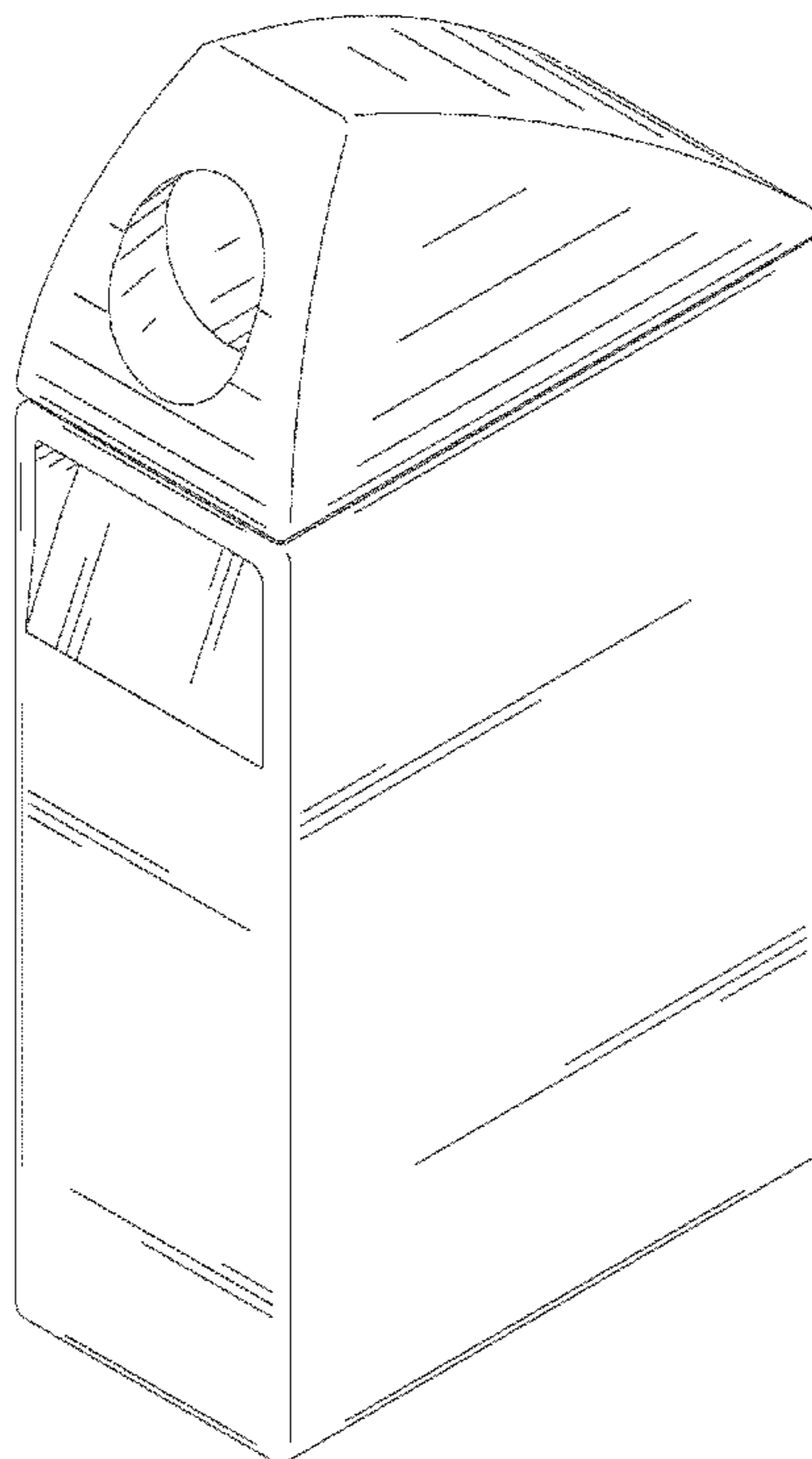
See application file for complete search history.

(56) **References Cited**

U.S. PATENT DOCUMENTS

4,577,778	A *	3/1986	Kim	220/495.07
4,593,615	A *	6/1986	Kehl	100/227
4,863,052	A *	9/1989	Lambert	229/117.3
D338,091	S *	8/1993	Serrault	D34/1
D339,438	S *	9/1993	Moran	D34/7
5,642,828	A *	7/1997	Sorens	220/4.03
D555,317	S *	11/2007	Yang et al.	D34/1
D562,521	S *	2/2008	Renard	D34/7
D584,467	S *	1/2009	Tuncel	D34/7

1 Claim, 7 Drawing Sheets



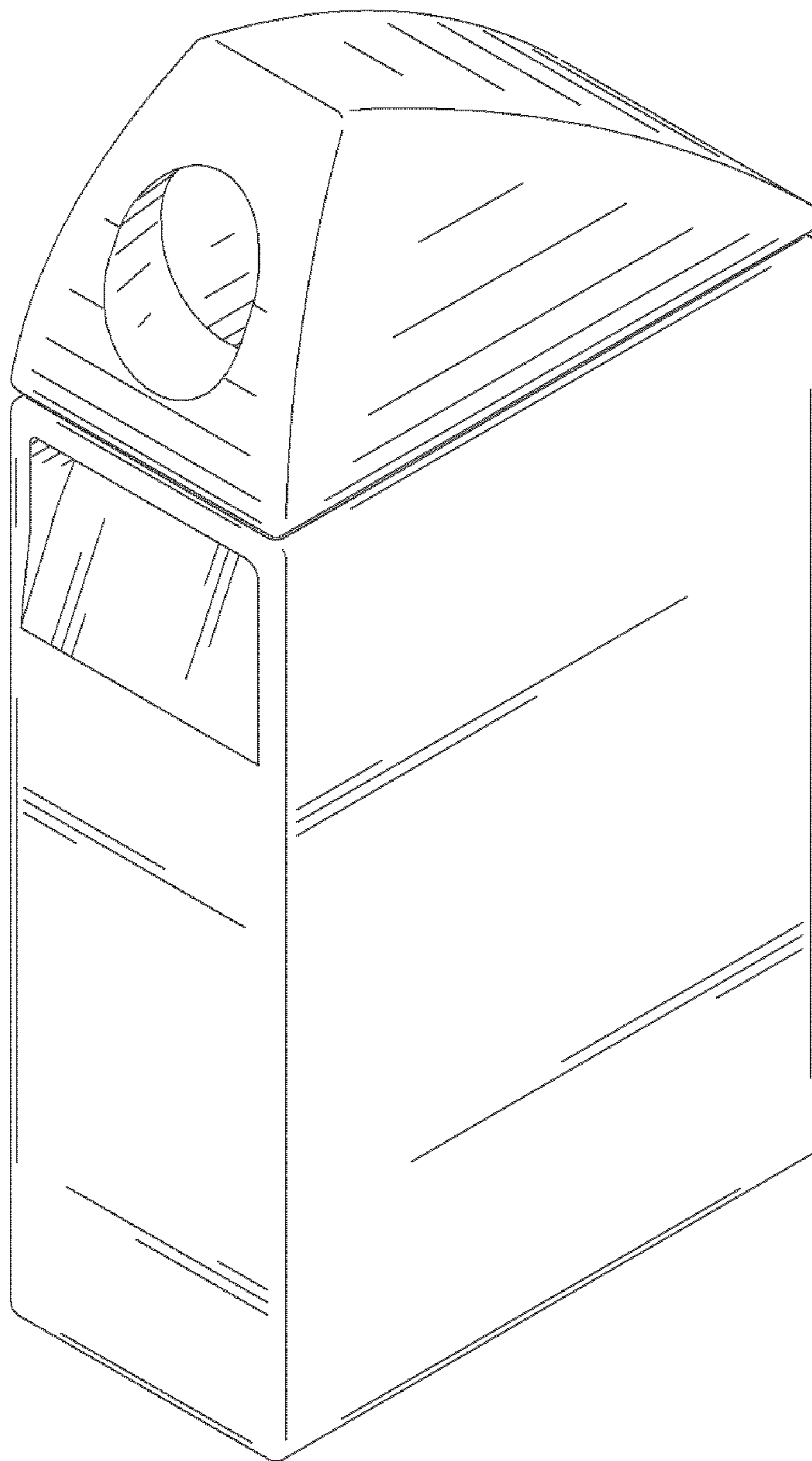


FIG. 1

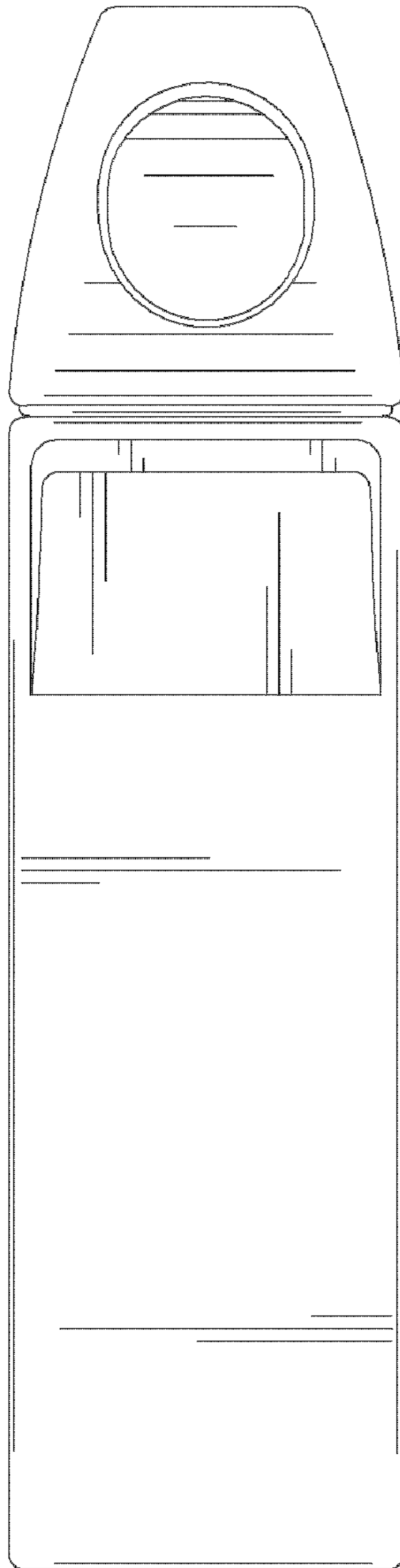


FIG. 2

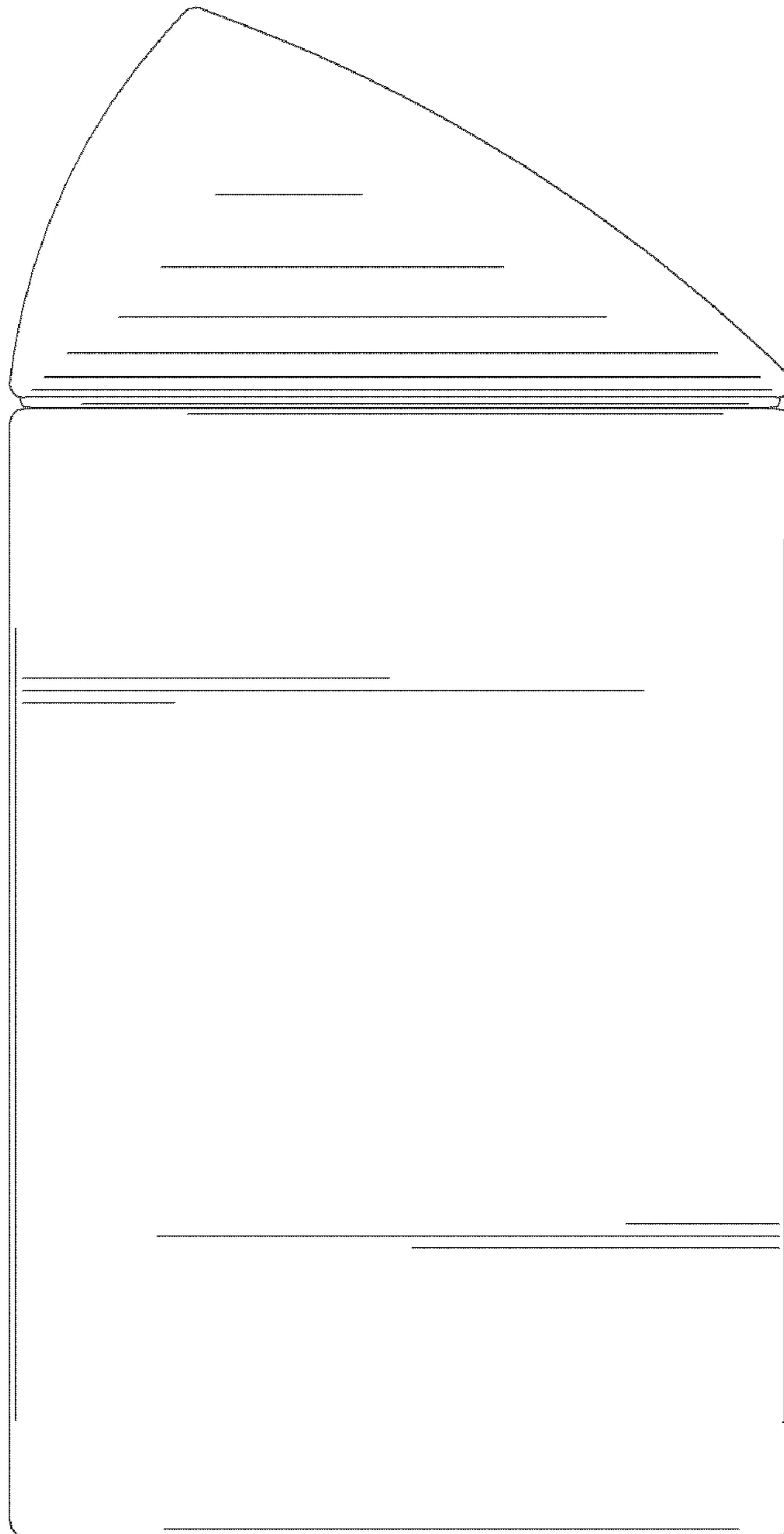


FIG. 3

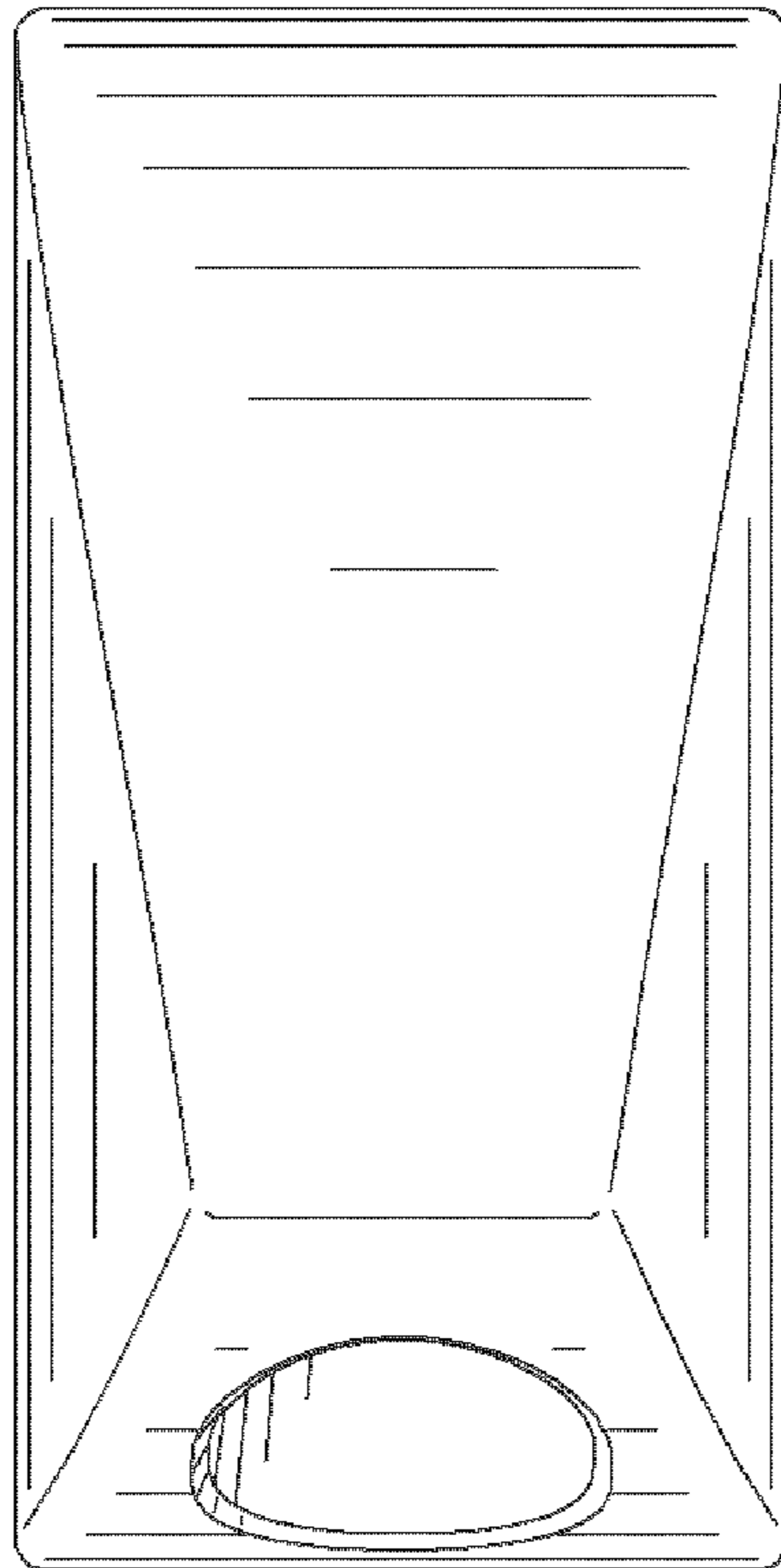


FIG. 4

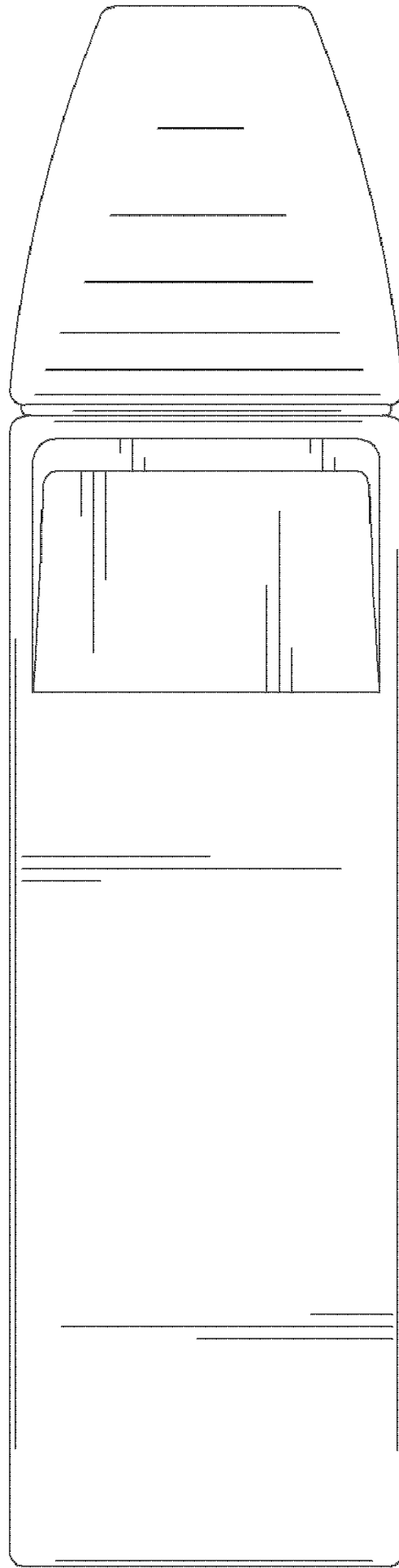


FIG. 5

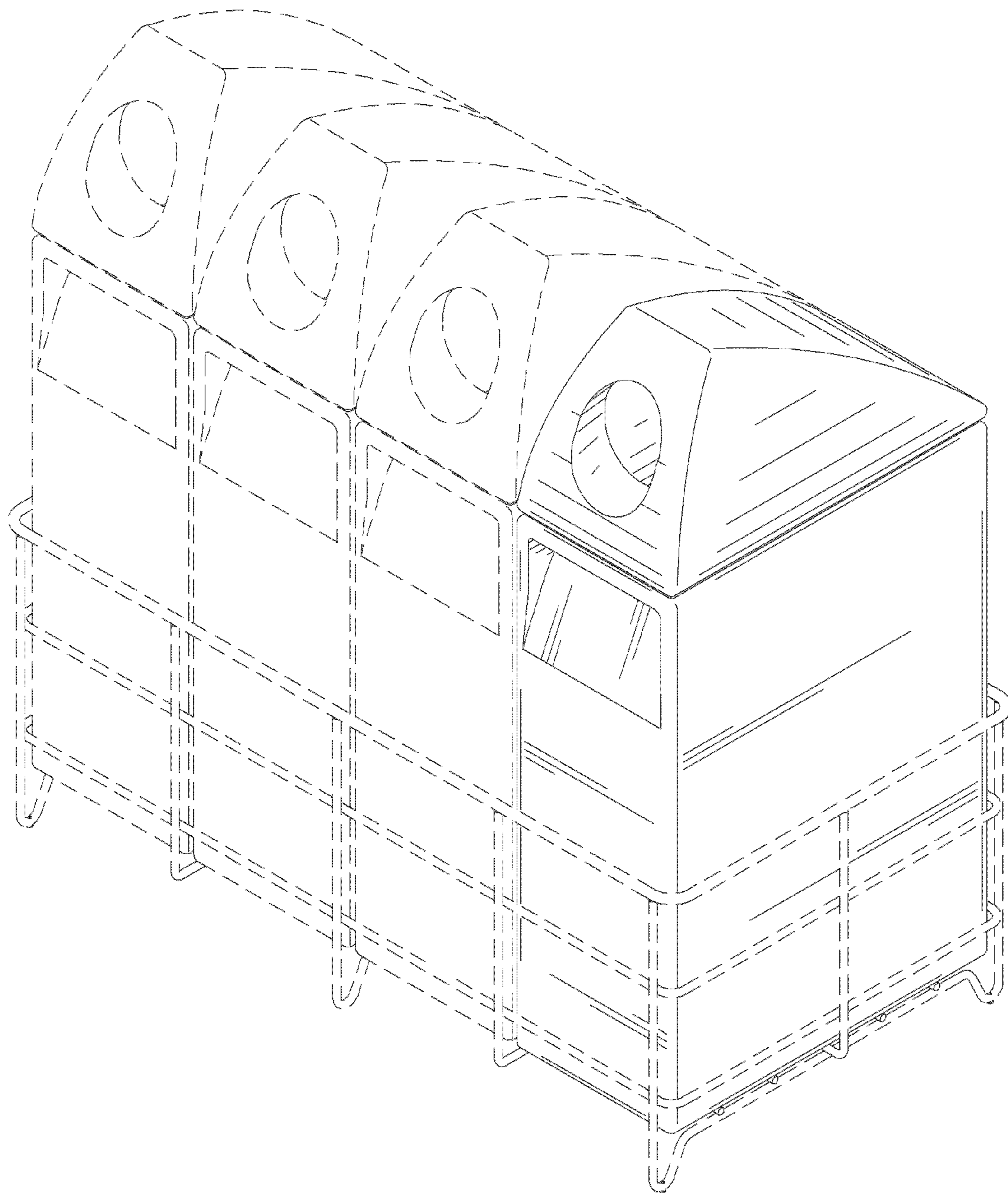


FIG. 6

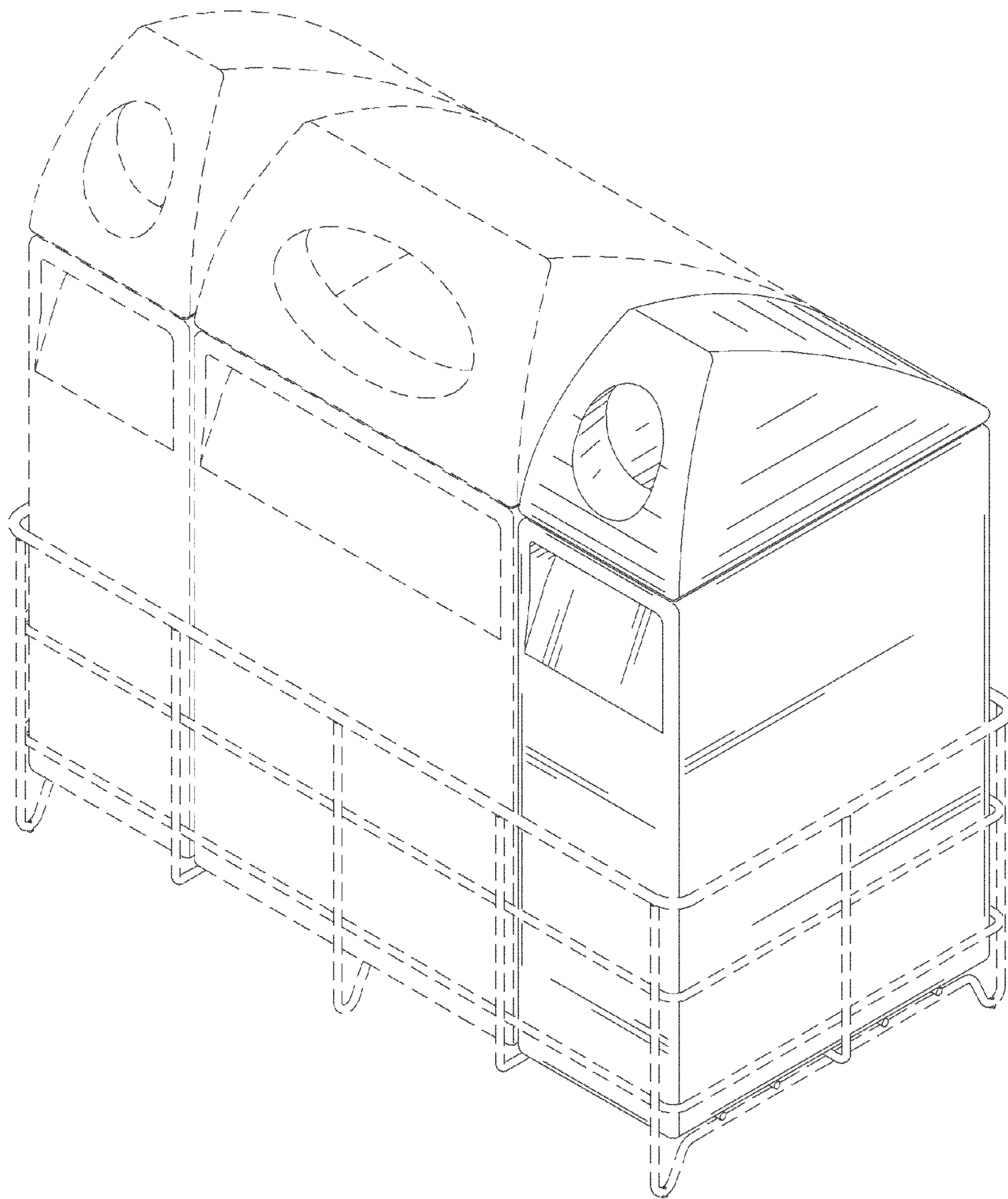


FIG. 7